



US00D694787S

(12) **United States Design Patent**  
**Mueller**

(10) **Patent No.:** **US D694,787 S**

(45) **Date of Patent:** **\*\* Dec. 3, 2013**

(54) **MACHINE TOOL**

(71) Applicant: **TRUMPF Maschinen Austria Ges. mbH & Co. KG, Pasching (AT)**

(72) Inventor: **Robert Mueller, Roth (DE)**

(73) Assignee: **TRUMPF Maschinen Austria Ges. mbH & Co. KG, Pasching (AT)**

(\*\*) Term: **14 Years**

(21) Appl. No.: **29/446,789**

(22) Filed: **Feb. 27, 2013**

(51) **LOC (9) Cl.** ..... **15-09**

(52) **U.S. Cl.**  
USPC ..... **D15/122**

(58) **Field of Classification Search**  
USPC ..... D15/122, 124, 127, 128, 130, 131;  
29/26 A, 26 R, 30, 33 A-33 T, 34 R, 39,  
29/50, 563-566, 564.1-564.8; 483/17-57  
See application file for complete search history.

(56) **References Cited**

**U.S. PATENT DOCUMENTS**

D266,520 S *	10/1982	Engel	.....	D15/122
4,443,929 A *	4/1984	Bayer et al.	.....	483/32
D319,834 S *	9/1991	Rutschle	.....	D15/131
D388,103 S *	12/1997	Gotou et al.	.....	D15/127
D399,221 S *	10/1998	Schwartz	.....	D15/141
D445,807 S *	7/2001	Baulk	.....	D15/127
D495,723 S *	9/2004	Kawamura et al.	.....	D15/127
7,013,543 B2 *	3/2006	Iwabuchi et al.	.....	29/27 C
D548,754 S *	8/2007	Itabashi et al.	.....	D15/122
D548,755 S *	8/2007	Takeshima et al.	.....	D15/122
D559,871 S *	1/2008	Kittaka et al.	.....	D15/122
D567,263 S *	4/2008	Sugihara et al.	.....	D15/122
D578,144 S *	10/2008	Arisue et al.	.....	D15/122
D614,210 S *	4/2010	Basler et al.	.....	D15/122
D620,508 S *	7/2010	Jacquet et al.	.....	D15/122

D635,596 S *	4/2011	Hiroshima et al.	.....	D15/122
D636,796 S *	4/2011	Hiroshima et al.	.....	D15/122
D637,631 S *	5/2011	Hiroshima et al.	.....	D15/122
D644,570 S *	9/2011	Chuang	.....	D12/110
D649,173 S *	11/2011	Bruce et al.	.....	D15/122
D649,174 S *	11/2011	Schindler	.....	D15/127

(Continued)

**FOREIGN PATENT DOCUMENTS**

EM	000974191-0001	11/2008
EM	000974191-0002	11/2008

(Continued)

**OTHER PUBLICATIONS**

Images at pp. 6-9 of "TruBend: Mehr Freiheit beim Biegen", published by TRUMPF Werkzeugmaschinen/Elektrowerkzeuge, Identification No. 0372725-20-11-11-F, Nov. 2011.

(Continued)

*Primary Examiner* — Patricia Palasik  
(74) *Attorney, Agent, or Firm* — Michael D. Bednarek; Axinn Veltrop Harkrider LLP

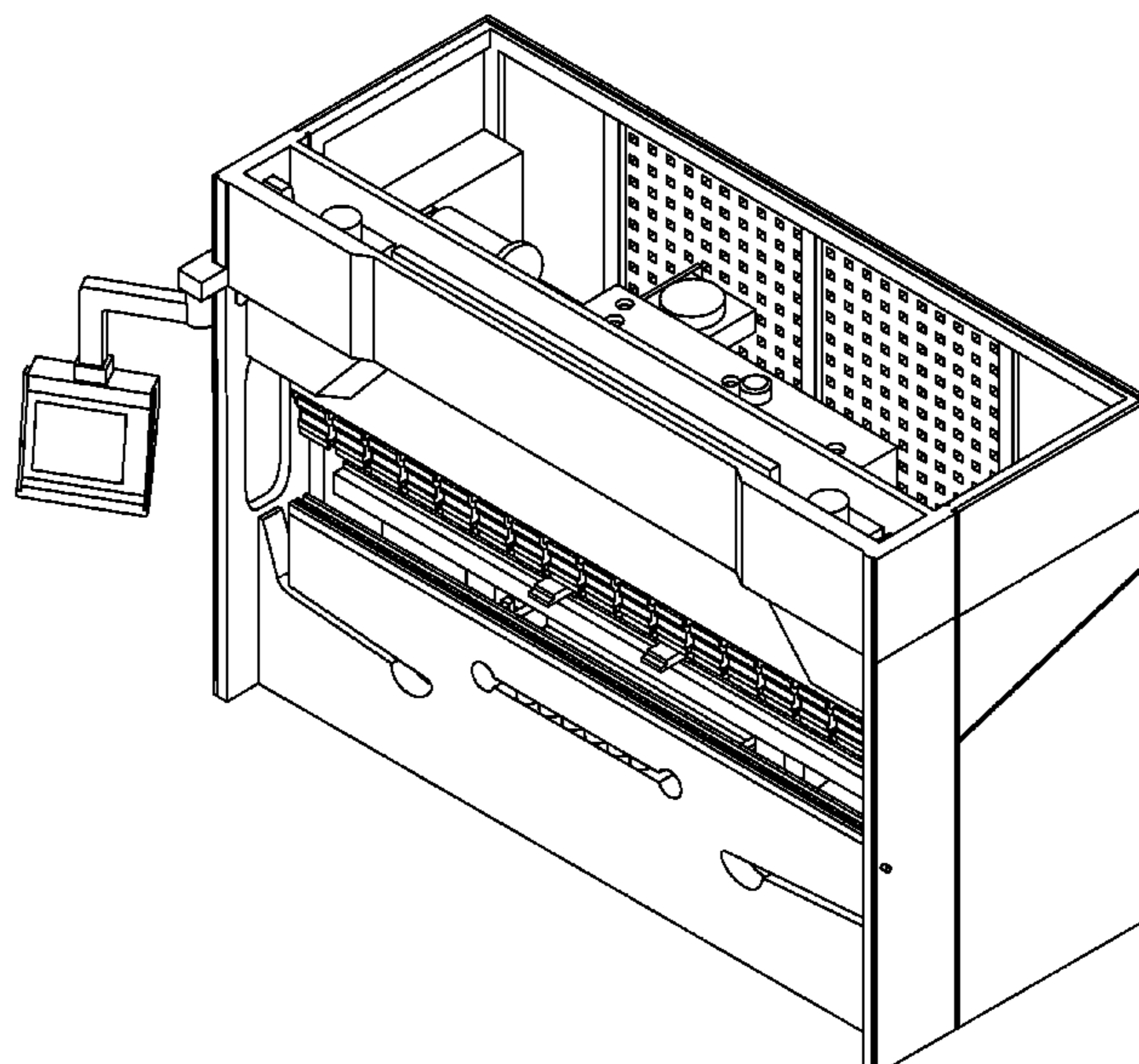
(57) **CLAIM**

I claim the ornamental design for a machine tool, as shown and described.

**DESCRIPTION**

FIG. 1 is a front perspective view of the machine showing my new design;  
FIG. 2 is a front elevation view thereof;  
FIG. 3 is a back elevation view thereof;  
FIG. 4 is a right side view thereof;  
FIG. 5 is a left side view thereof;  
FIG. 6 is a top plan view thereof; and,  
FIG. 7 is a bottom plan view thereof.

**1 Claim, 7 Drawing Sheets**



(56)

**References Cited**

U.S. PATENT DOCUMENTS

D649,567 S \* 11/2011 Schindler ..... D15/127  
D654,099 S \* 2/2012 Schindler et al. .... D15/122  
D654,518 S \* 2/2012 Miyake et al. .... D15/122  
D658,686 S \* 5/2012 Mueller ..... D15/122  
D659,728 S \* 5/2012 Mueller ..... D15/122  
D667,031 S \* 9/2012 Mueller ..... D15/122  
D667,032 S \* 9/2012 Egami ..... D15/122  
D671,969 S \* 12/2012 Yang et al. .... D15/122  
D676,882 S \* 2/2013 Mueller ..... D15/122  
D680,563 S \* 4/2013 Yang et al. .... D15/122

FOREIGN PATENT DOCUMENTS

EM 000974191-0003 11/2008  
EM 000974191-0004 11/2008

EM 000974191-0005 11/2008  
EM 000974191-0006 11/2008  
EM 000974191-0007 11/2008  
EM 000974191-0008 11/2008  
EM 000974191-0009 11/2008  
EM 000974191-0010 11/2008  
EM 000974191-0011 11/2008  
EM 000974191-0012 11/2008  
EM 000974191-0013 11/2008  
EM 000974191-0014 11/2008  
EM 000974191-0015 11/2008  
EM 000974191-0016 11/2008

OTHER PUBLICATIONS

Images at pp. 10-13 of "TruBend: Mehr Freiheit beim Biegen", published by TRUMPF Werkzeugmaschinen/Elektrowerkzeuge, Identification No. 0372725-20-11-11-F, Nov. 2011.

\* cited by examiner

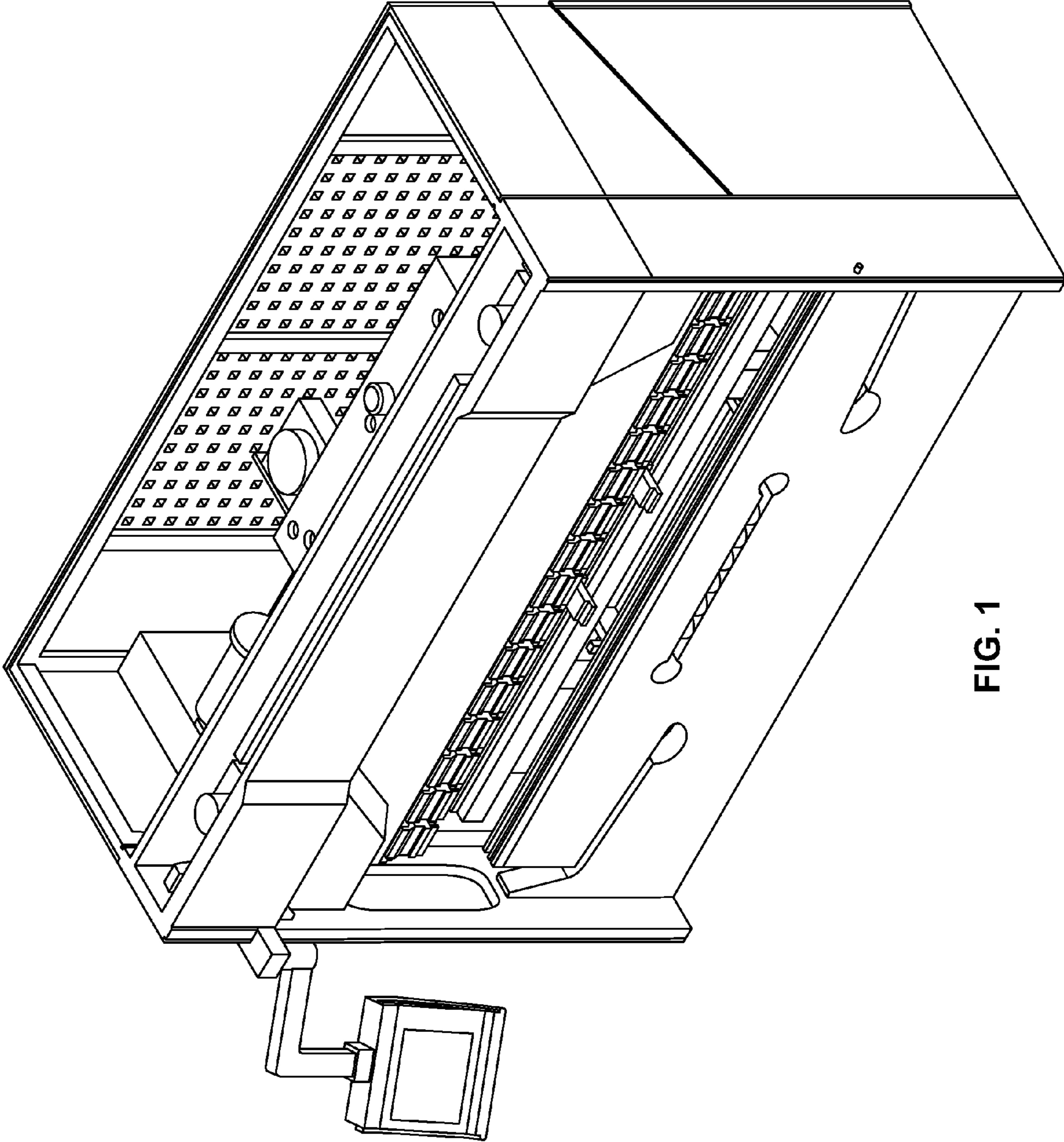


FIG. 1

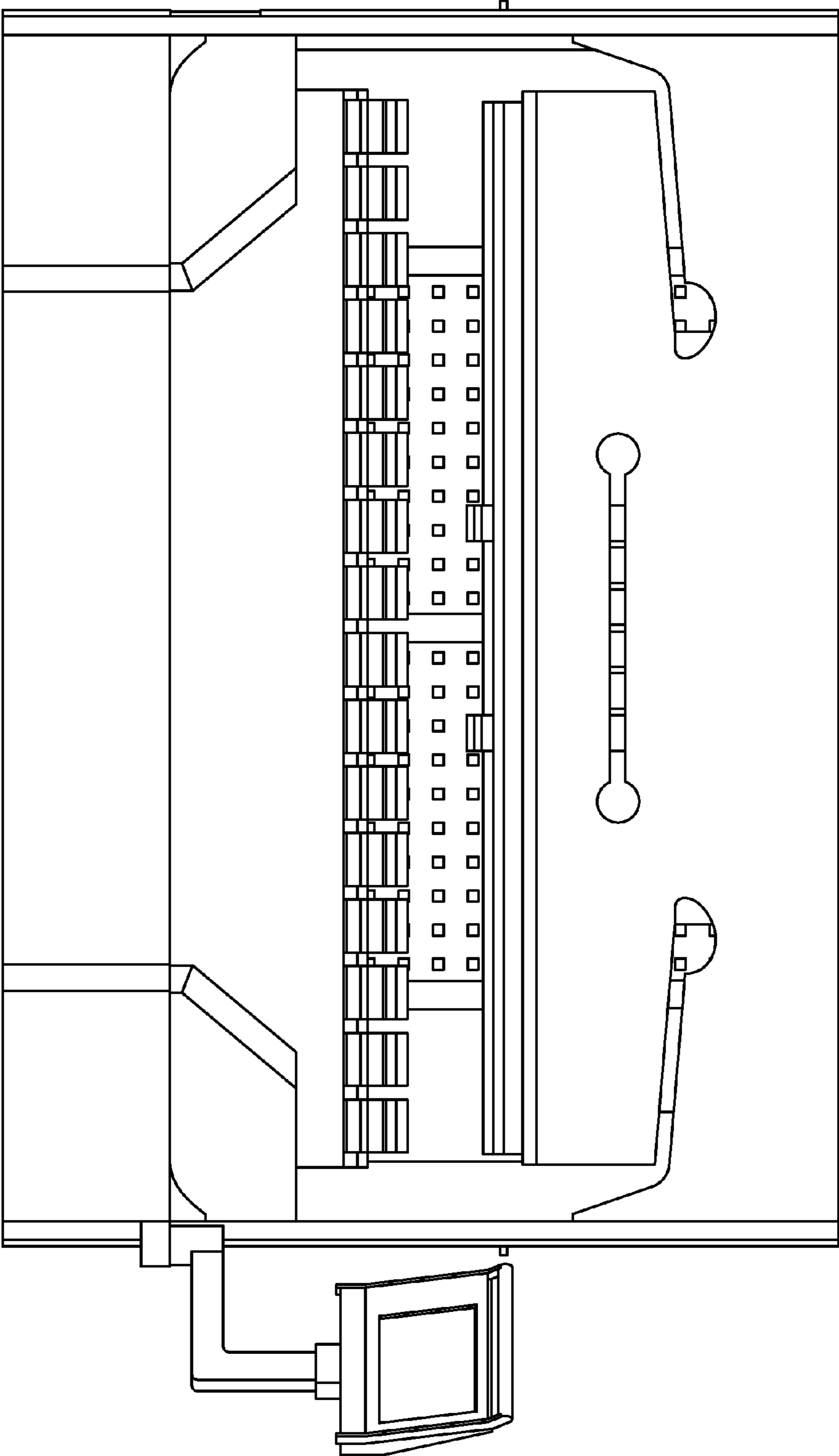


FIG. 2

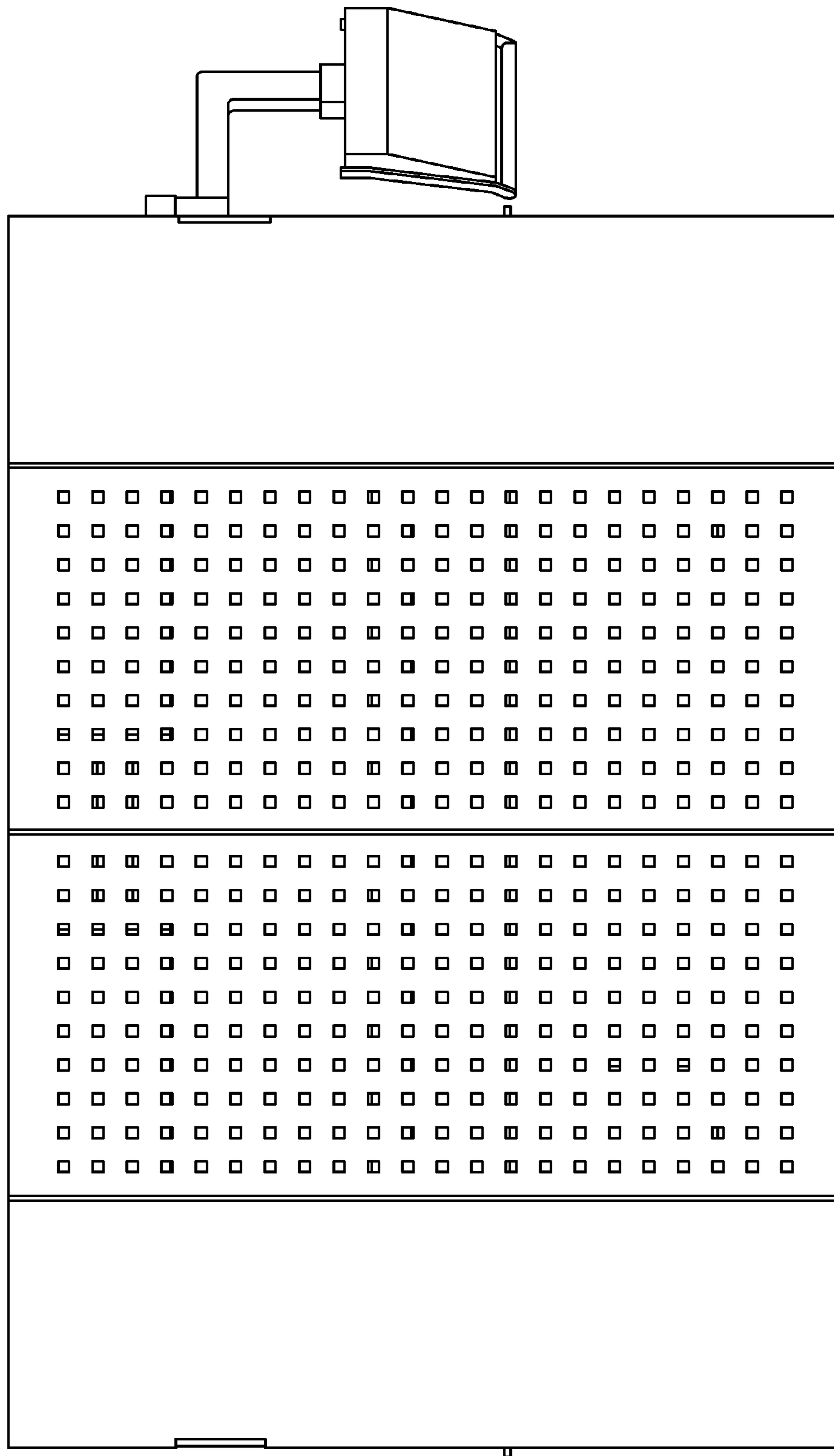


FIG. 3



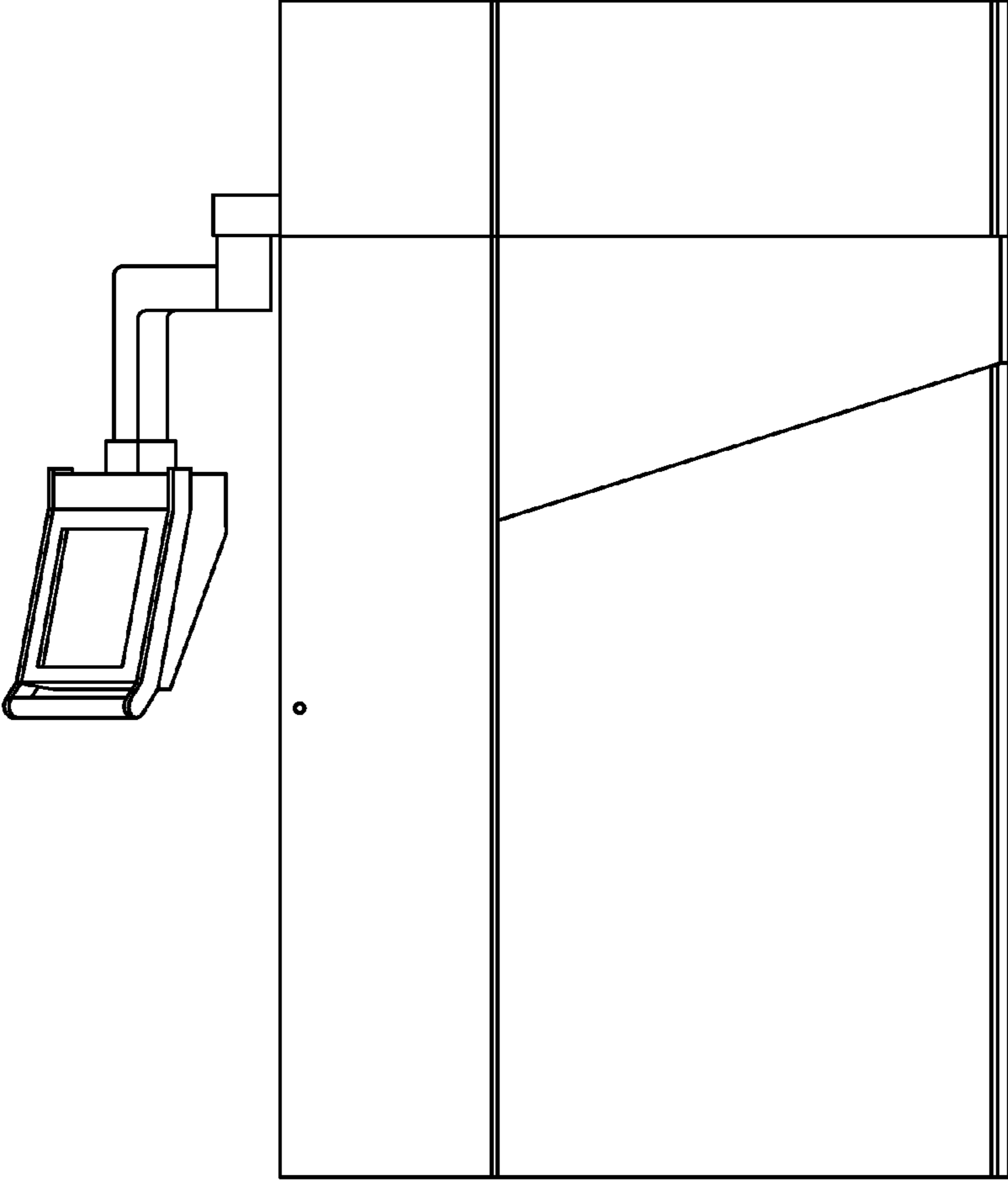


FIG. 4

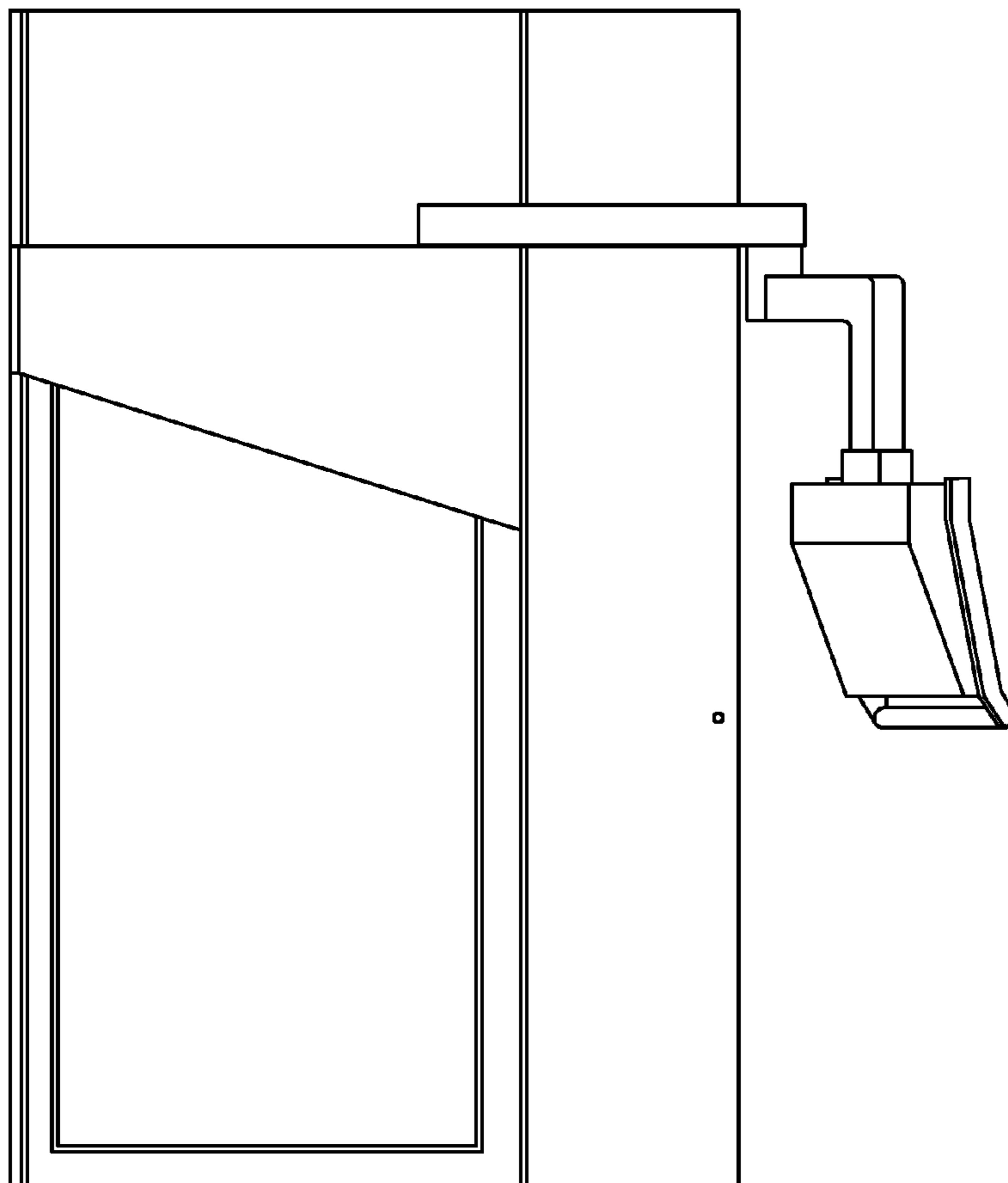
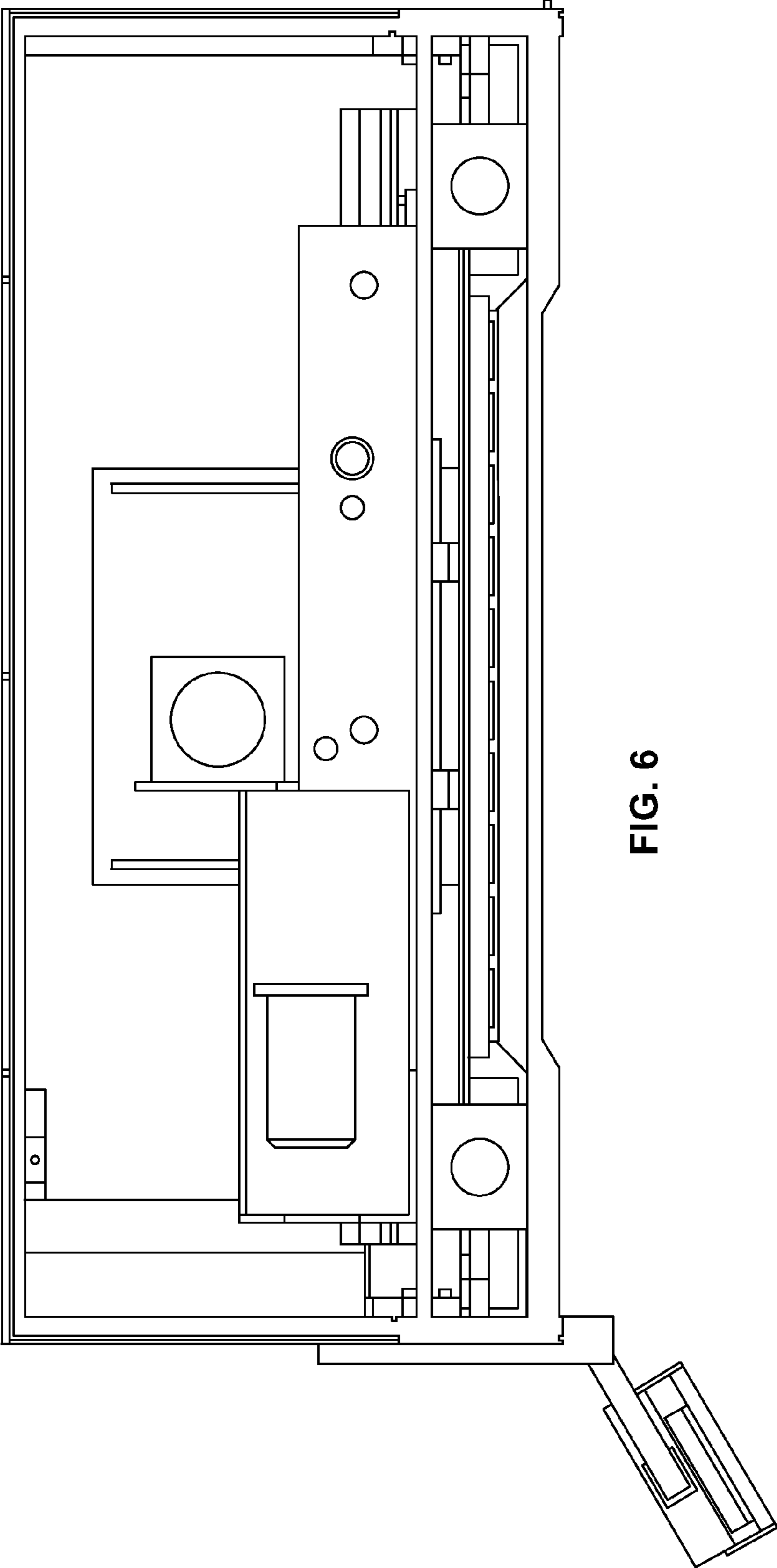


FIG. 5





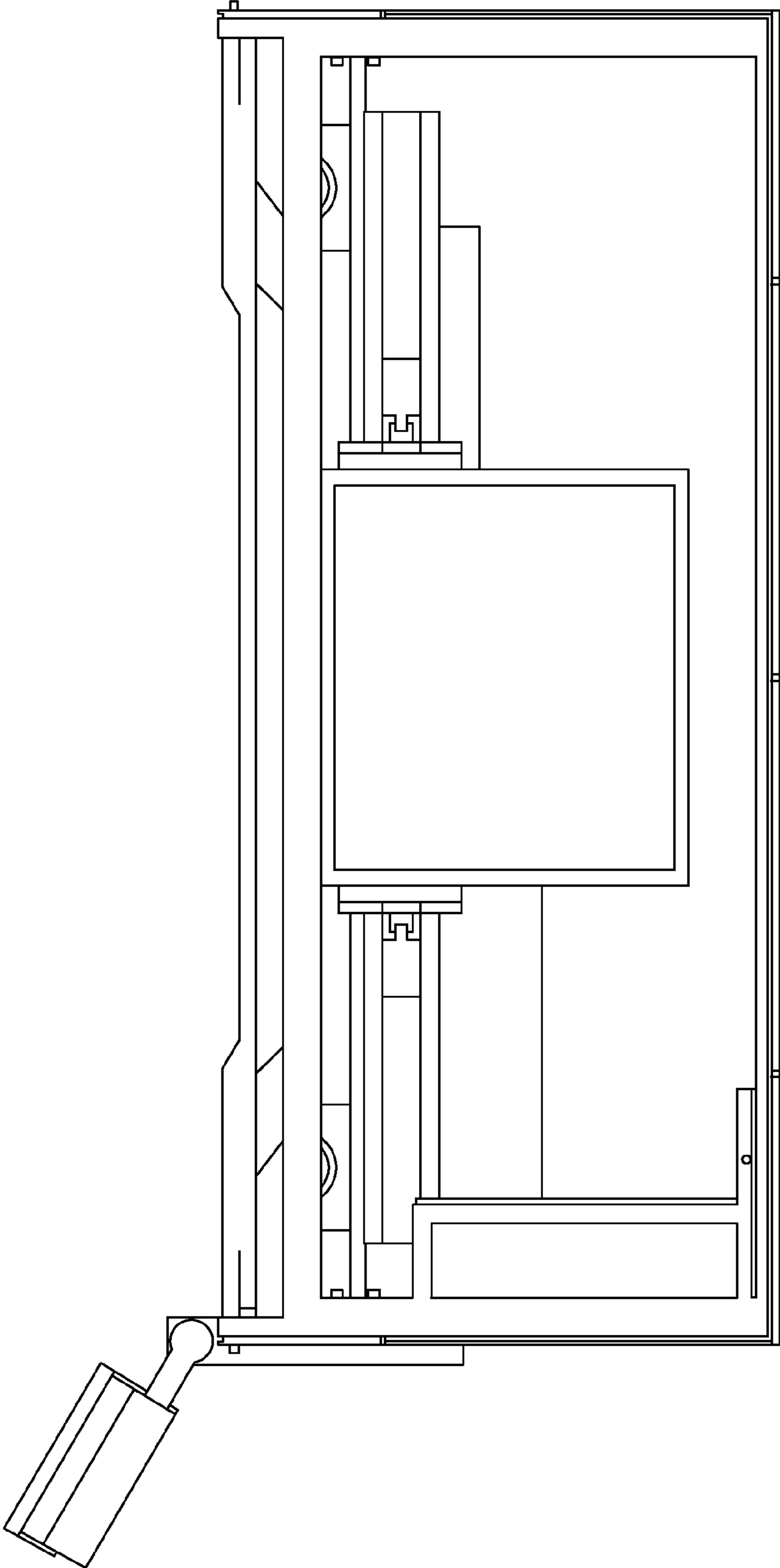


FIG. 7