



US00D694785S

(12) **United States Design Patent**
Bentley

(10) **Patent No.:** **US D694,785 S**

(45) **Date of Patent:** **** Dec. 3, 2013**

(54) **QUILTING MACHINE HANDLEBAR**

(76) Inventor: **Arthur Bentley**, Draper, UT (US)

(**) Term: **14 Years**

(21) Appl. No.: **29/424,359**

(22) Filed: **Jun. 11, 2012**

(51) **LOC (9) Cl.** **15-06**

(52) **U.S. Cl.**
USPC **D15/72**

(58) **Field of Classification Search**
USPC D15/66-78; 112/102.5, 103, 308, 318,
112/470.06, 117

See application file for complete search history.

(56) **References Cited**

U.S. PATENT DOCUMENTS

D284,578 S *	7/1986	Yoneda	D15/72
5,167,194 A *	12/1992	Nakagaki	112/103
5,711,236 A *	1/1998	Badger	112/117
6,860,211 B2 *	3/2005	Valeriote et al.	112/117
6,932,007 B1 *	8/2005	Beauchamp	112/117
8,146,522 B2 *	4/2012	Lee et al.	112/117
2003/0188675 A1 *	10/2003	Valeriote et al.	112/117

* cited by examiner

Primary Examiner — Mitchell Siegel

(74) *Attorney, Agent, or Firm* — Brett Peterson; Pate Peterson PLLC

(57) **CLAIM**

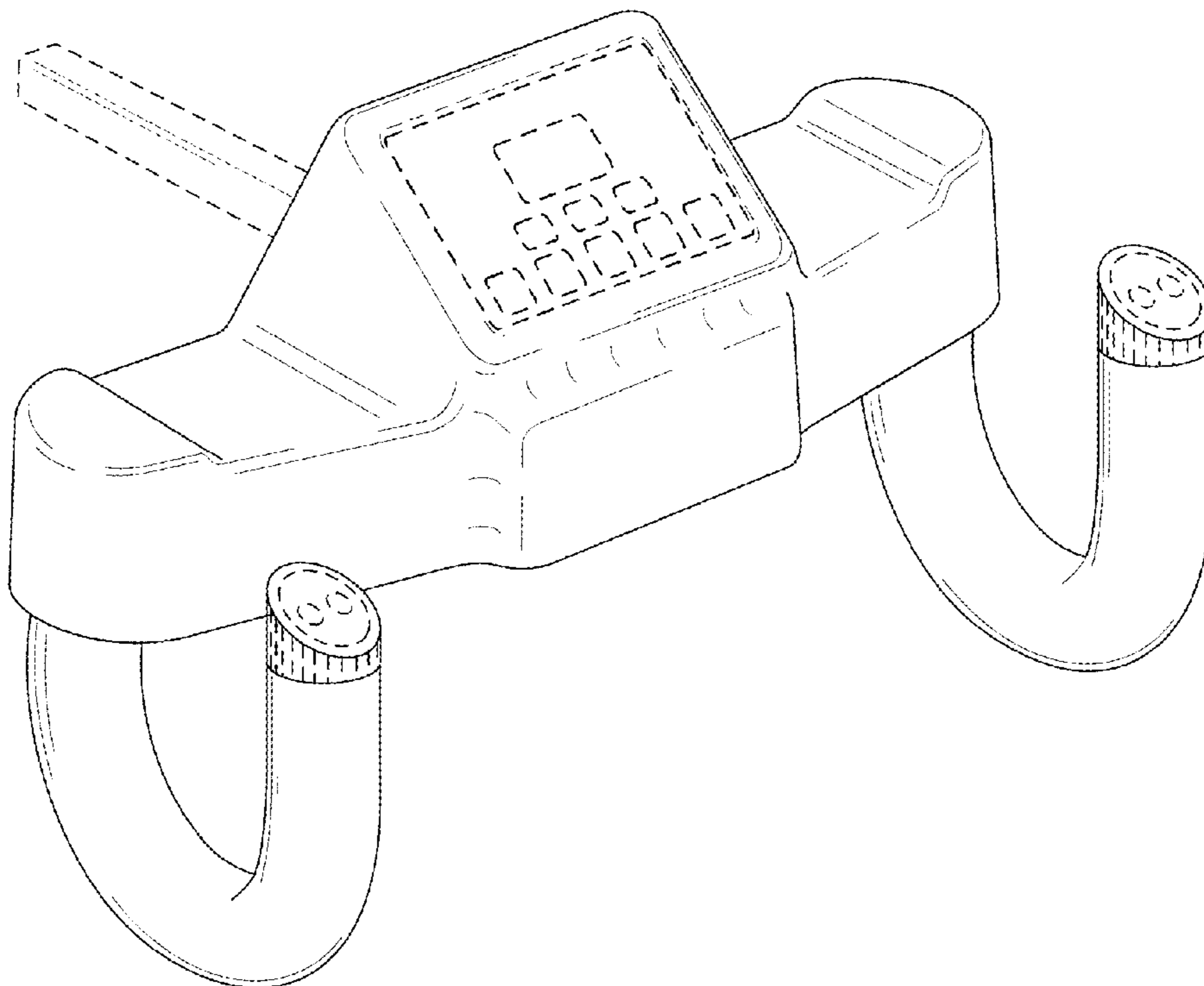
The ornamental design for the quilting machine handlebar, as shown and described.

DESCRIPTION

FIG. 1 is a perspective view of the quilting machine handlebar;
 FIG. 2 is a front side view of the quilting machine handlebar of FIG. 1;
 FIG. 3 is a back side view of the quilting machine handlebar of FIG. 1;
 FIG. 4 is a top view of the quilting machine handlebar of FIG. 1;
 FIG. 5 is a bottom view of the quilting machine handlebar of FIG. 1;
 FIG. 6 is a left side view of the quilting machine handlebar of FIG. 1; and,
 FIG. 7 is a right side view of the quilting machine handlebar of FIG. 1.

The broken line showing of environment in the drawings is included for the purpose of illustration only and forms no part of the claimed design.

1 Claim, 6 Drawing Sheets



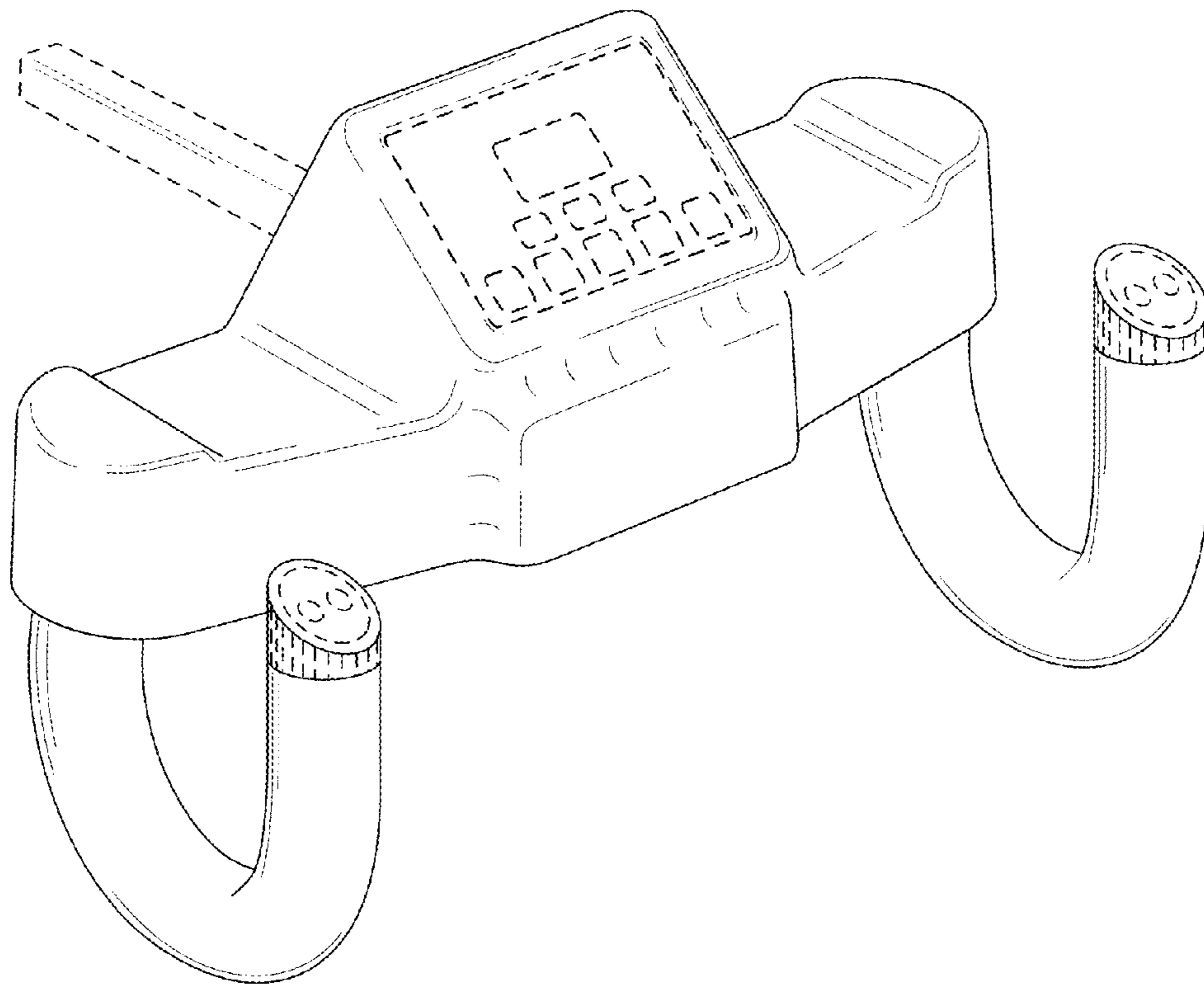


FIG. 1

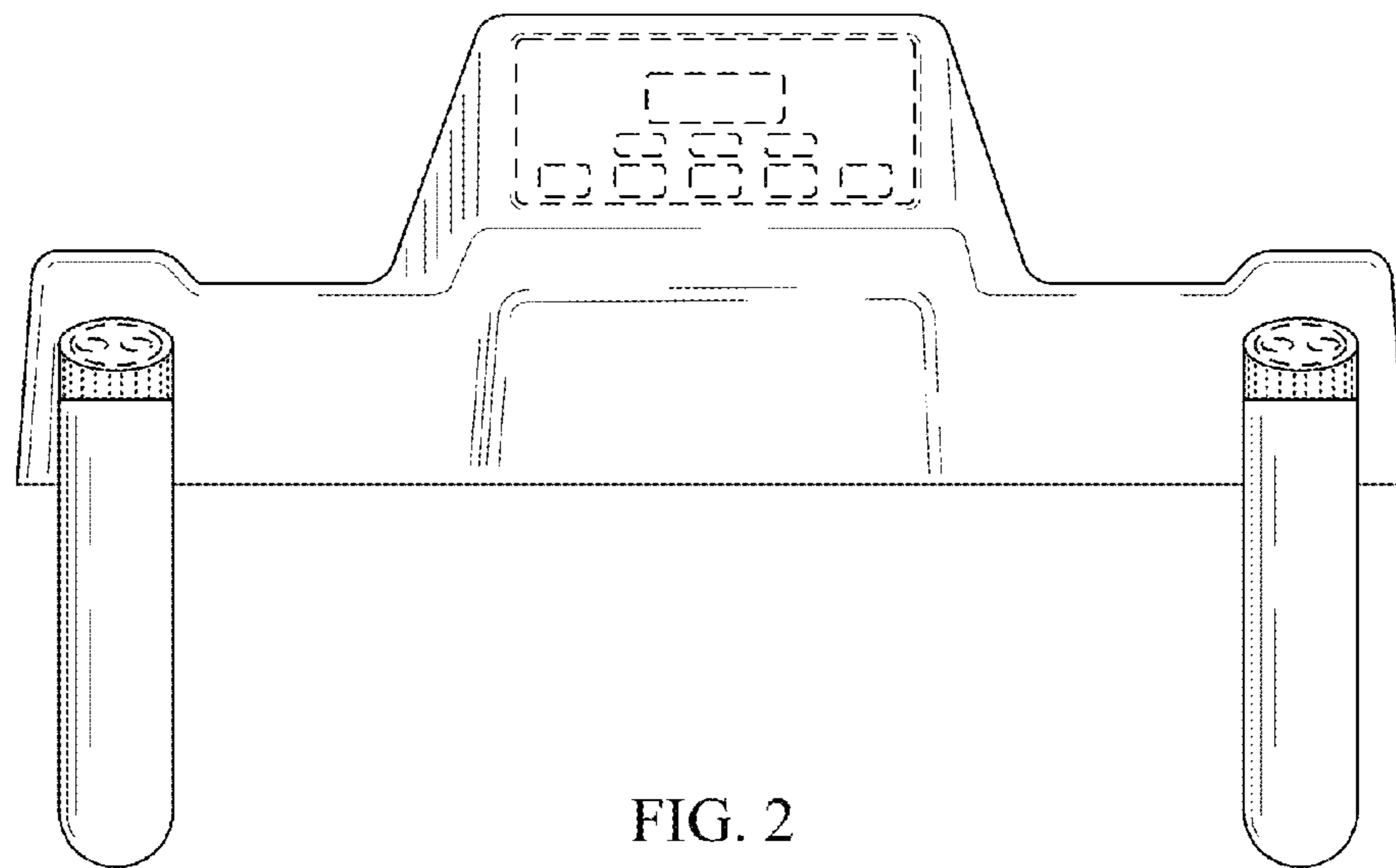


FIG. 2

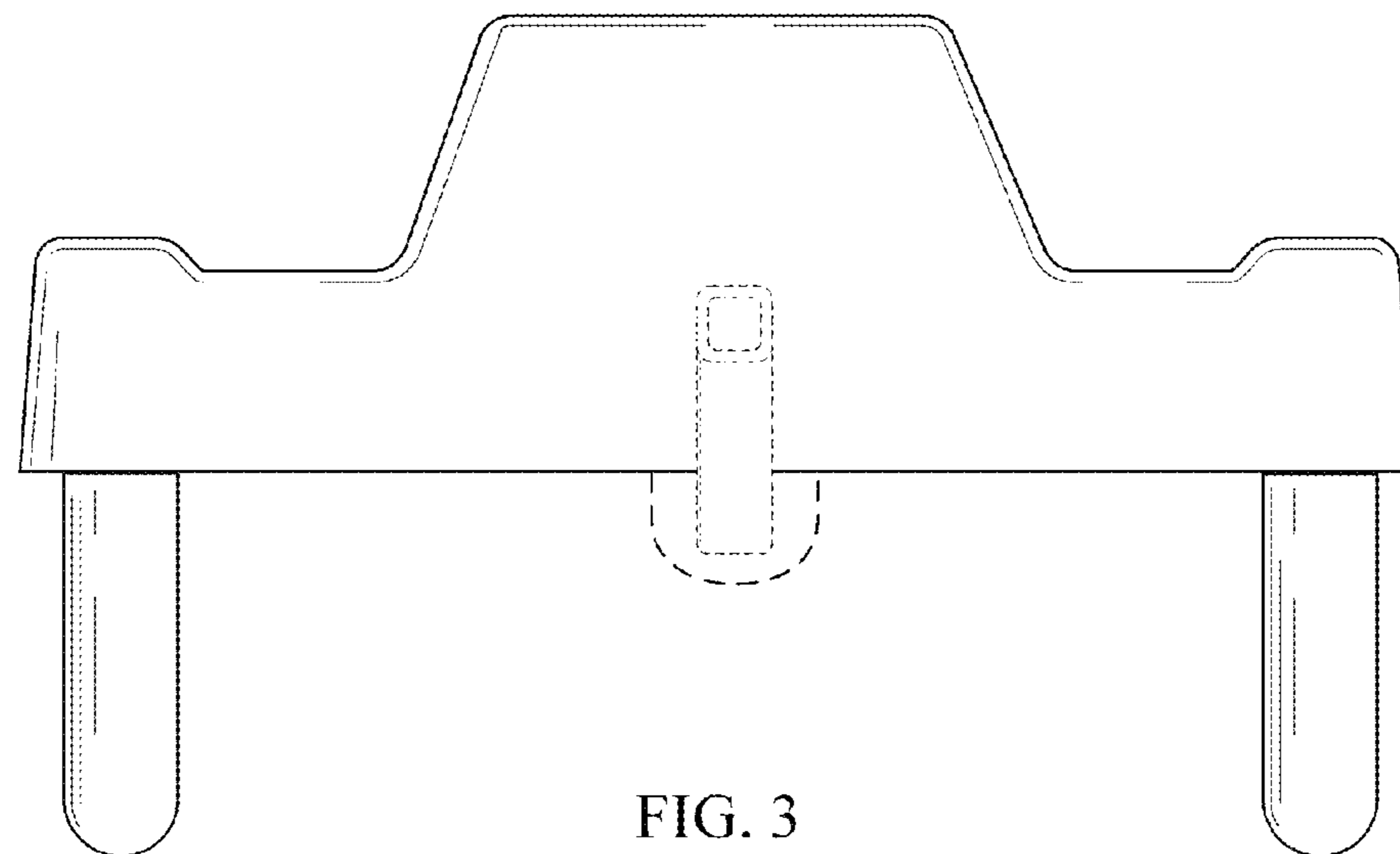


FIG. 3

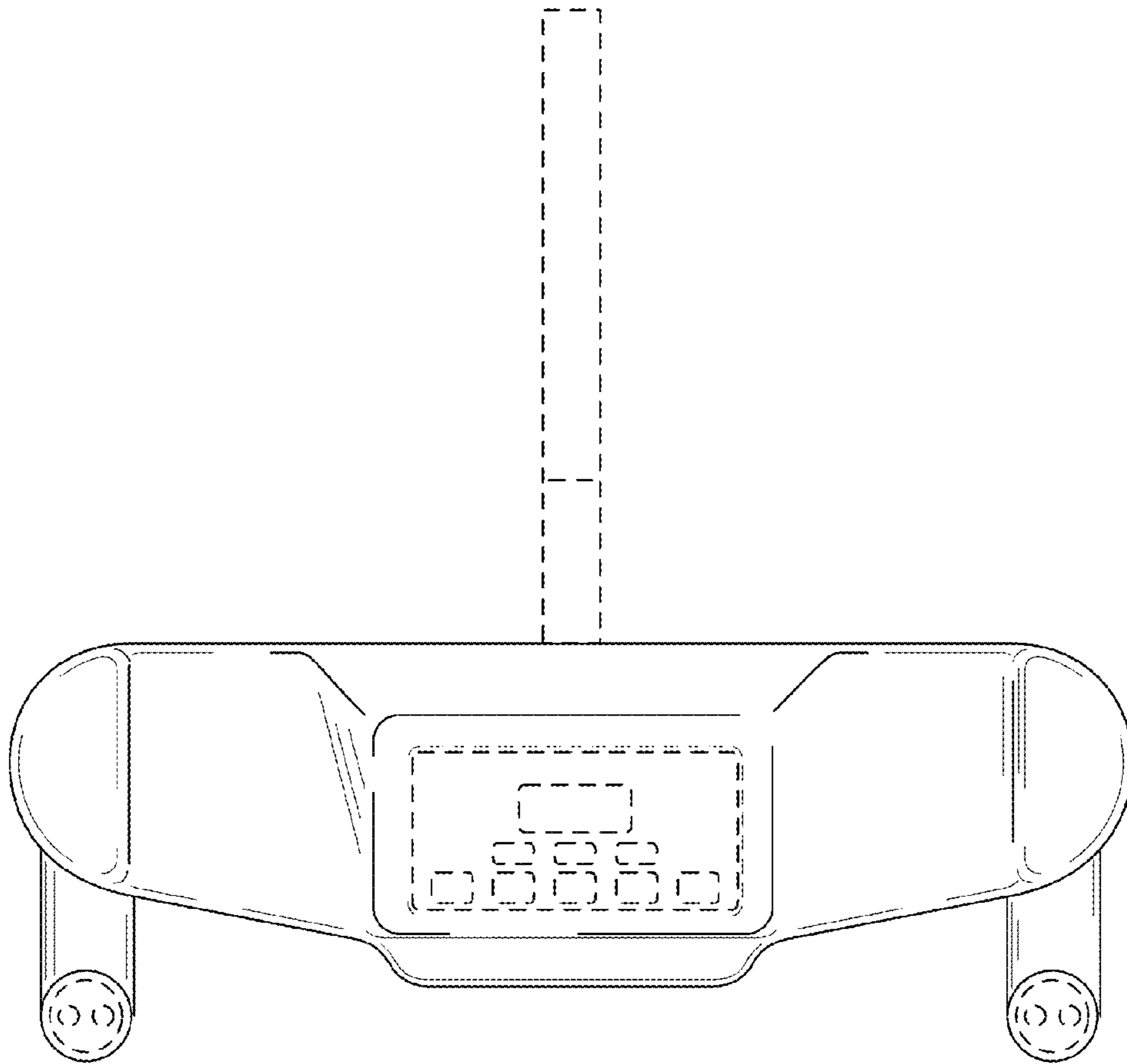


FIG. 4

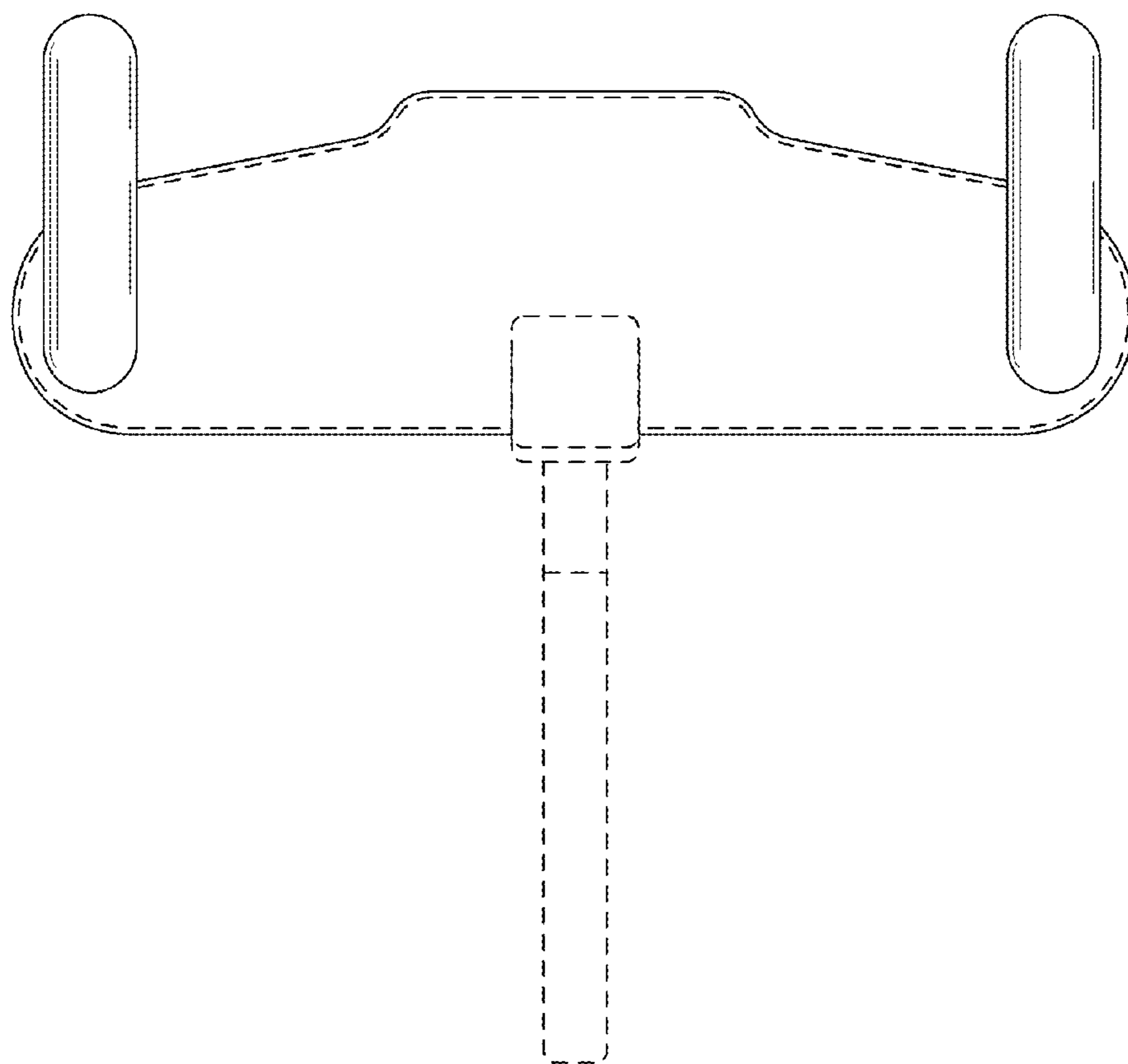


FIG. 5

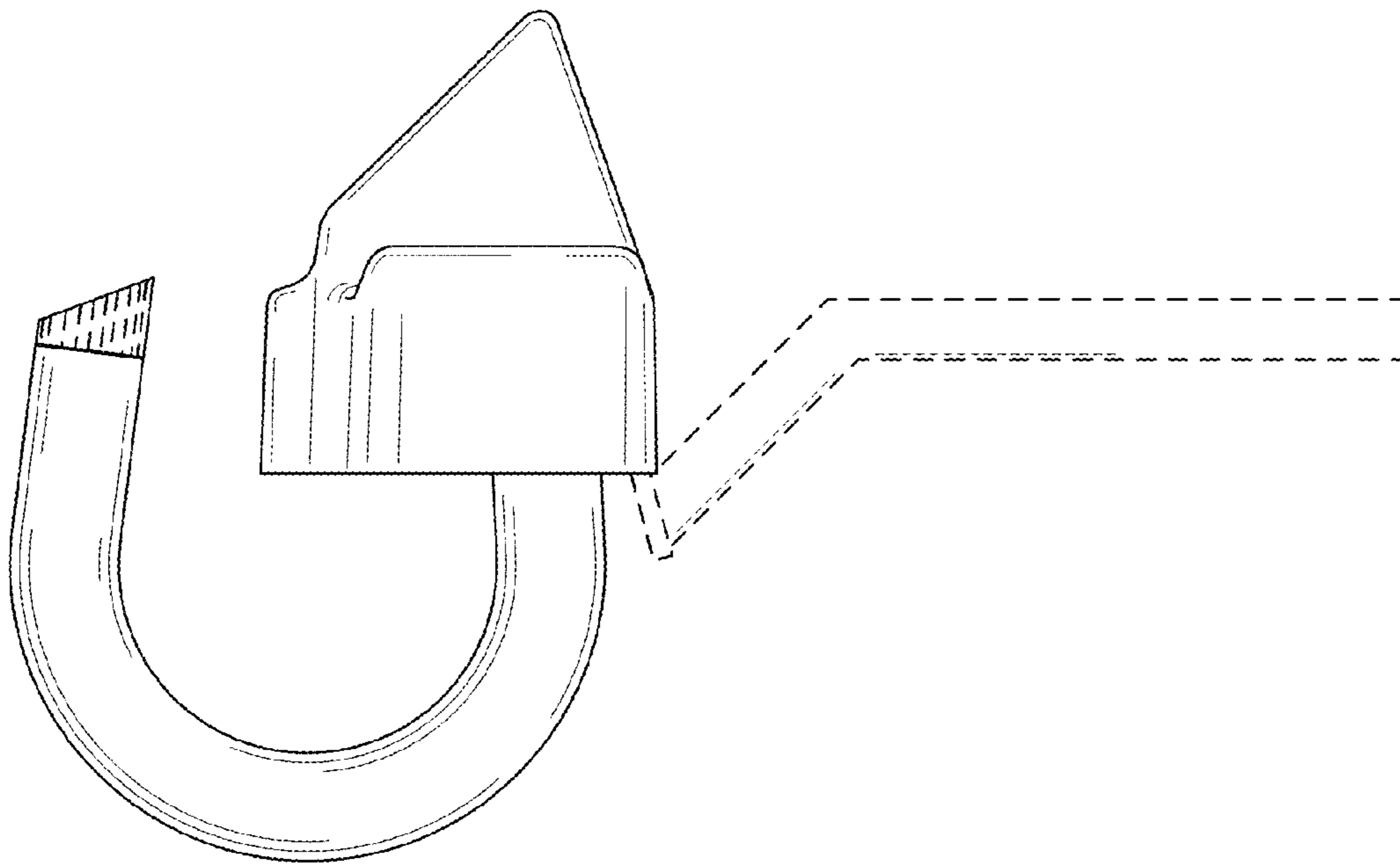


FIG. 6

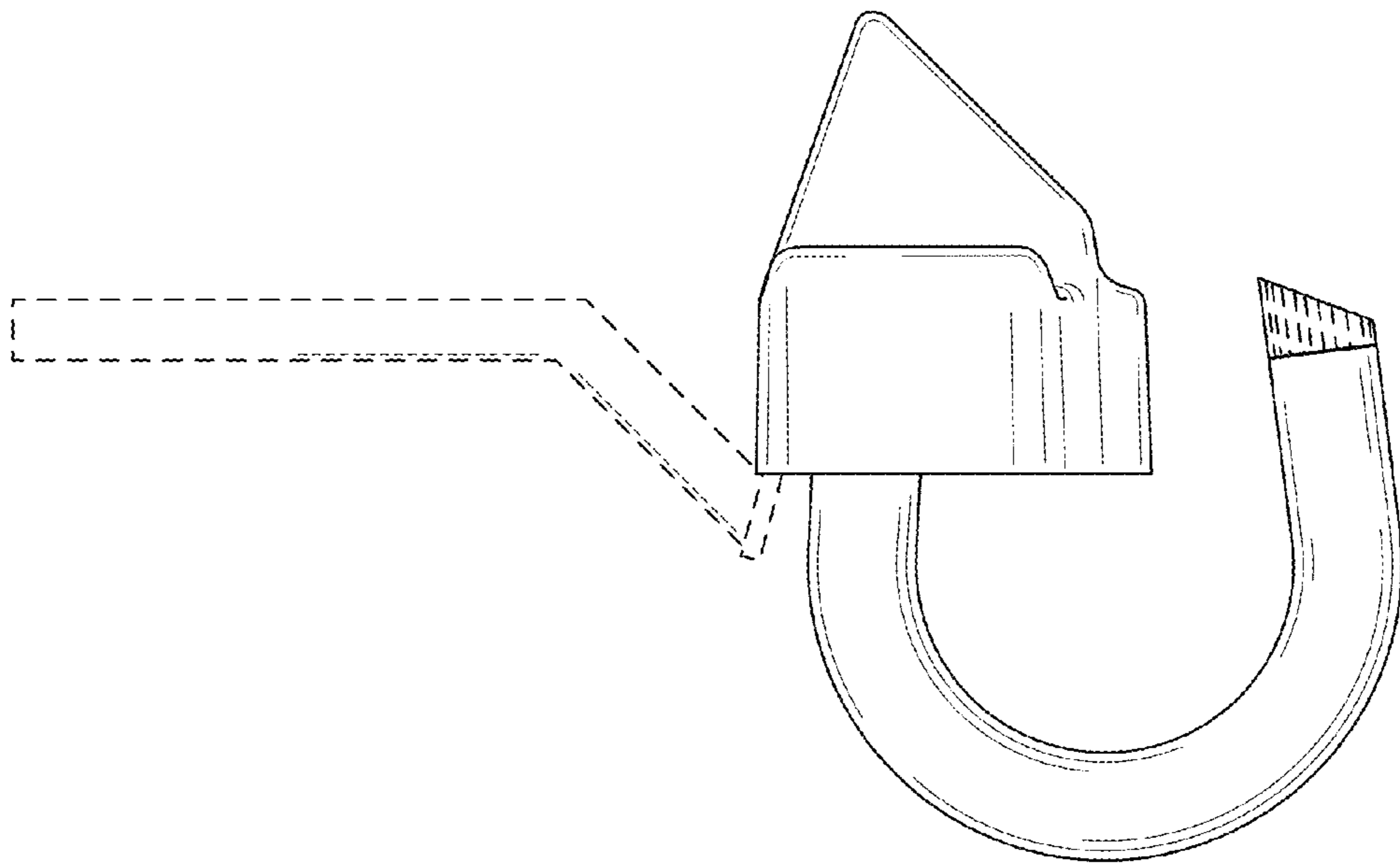


FIG. 7