

US00D694780S

(12) **United States Design Patent**
Raftery

(10) **Patent No.:** **US D694,780 S**

(45) **Date of Patent:** **** Dec. 3, 2013**

(54) **ROLLER SKID**

(71) Applicant: **Raftery Design, Inc.**, Canton, OH (US)

(72) Inventor: **William Barrett Raftery**, Canton, OH (US)

(73) Assignee: **Raftery Design, Inc.**, Canton, OH (US)

(**) Term: **14 Years**

(21) Appl. No.: **29/451,725**

(22) Filed: **Apr. 8, 2013**

(51) **LOC (9) Cl.** **15-03**

(52) **U.S. Cl.**

USPC **D15/11; D15/28**

(58) **Field of Classification Search**

USPC D15/11, 12, 17, 21, 28; 492/60, 48;
280/5.2, 5.24, 29, 47.34, 47, 24;
172/376, 377, 13, 15, 17, 15.6, 17.5;
301/5, 305, 37, 101; 37/271, 252, 270,
37/407, 249; 384/59; 16/97, 18 B, 18 CG,
16/29, 19, 18 R, 31 R, 32, 33, 40, 41, 42 R,
16/45, 95, 95 R, 107; 56/2, 7, 12.1

See application file for complete search history.

(56) **References Cited**

U.S. PATENT DOCUMENTS

2,525,971	A *	10/1950	Stone	384/59
2,768,453	A *	10/1956	Adams, Jr.	37/252
3,078,603	A *	2/1963	Ertsgaard et al.	37/252
3,468,041	A *	9/1969	Mattson et al.	37/246
3,742,626	A *	7/1973	Ellis	37/260
3,774,321	A *	11/1973	David	37/243
3,858,271	A *	1/1975	Howard et al.	16/45
4,023,287	A *	5/1977	de Brito	37/231

4,255,879	A *	3/1981	Greider	37/245
D310,894	S *	9/1990	Smith	D34/23
5,438,770	A *	8/1995	Miller	37/227
D408,111	S *	4/1999	Cook	D34/24
5,911,422	A *	6/1999	Carpenter et al.	280/8
6,299,185	B1 *	10/2001	Lewis	280/79.7
6,508,018	B1 *	1/2003	O'Brien	37/223
D471,288	S *	3/2003	Feik	D25/68
6,866,274	B1 *	3/2005	Muscat	280/79.7
6,899,345	B1 *	5/2005	Bearden	280/43
D550,921	S *	9/2007	McMorris	D34/23
D575,921	S *	8/2008	Stone, Jr.	D34/23
7,540,102	B2	6/2009	Olmr et al.	
D603,428	S *	11/2009	Tashiro et al.	D15/12
D644,669	S *	9/2011	Escobar	D15/28
D657,395	S *	4/2012	Bauer et al.	D15/11
8,191,289	B2 *	6/2012	Raftery	37/271
2005/0066553	A1 *	3/2005	Light	37/242
2008/0189990	A1 *	8/2008	Luhtanen	37/249
2008/0210445	A1 *	9/2008	Paulson	172/1

* cited by examiner

Primary Examiner — Mark Goodwin

(74) *Attorney, Agent, or Firm* — Sand & Sebolt

(57) **CLAIM**

The ornamental design for a roller skid, as shown and described.

DESCRIPTION

FIG. 1 is a perspective view of a roller skid showing my new design;

FIG. 2 is a front elevation view;

FIG. 3 is a back elevation view;

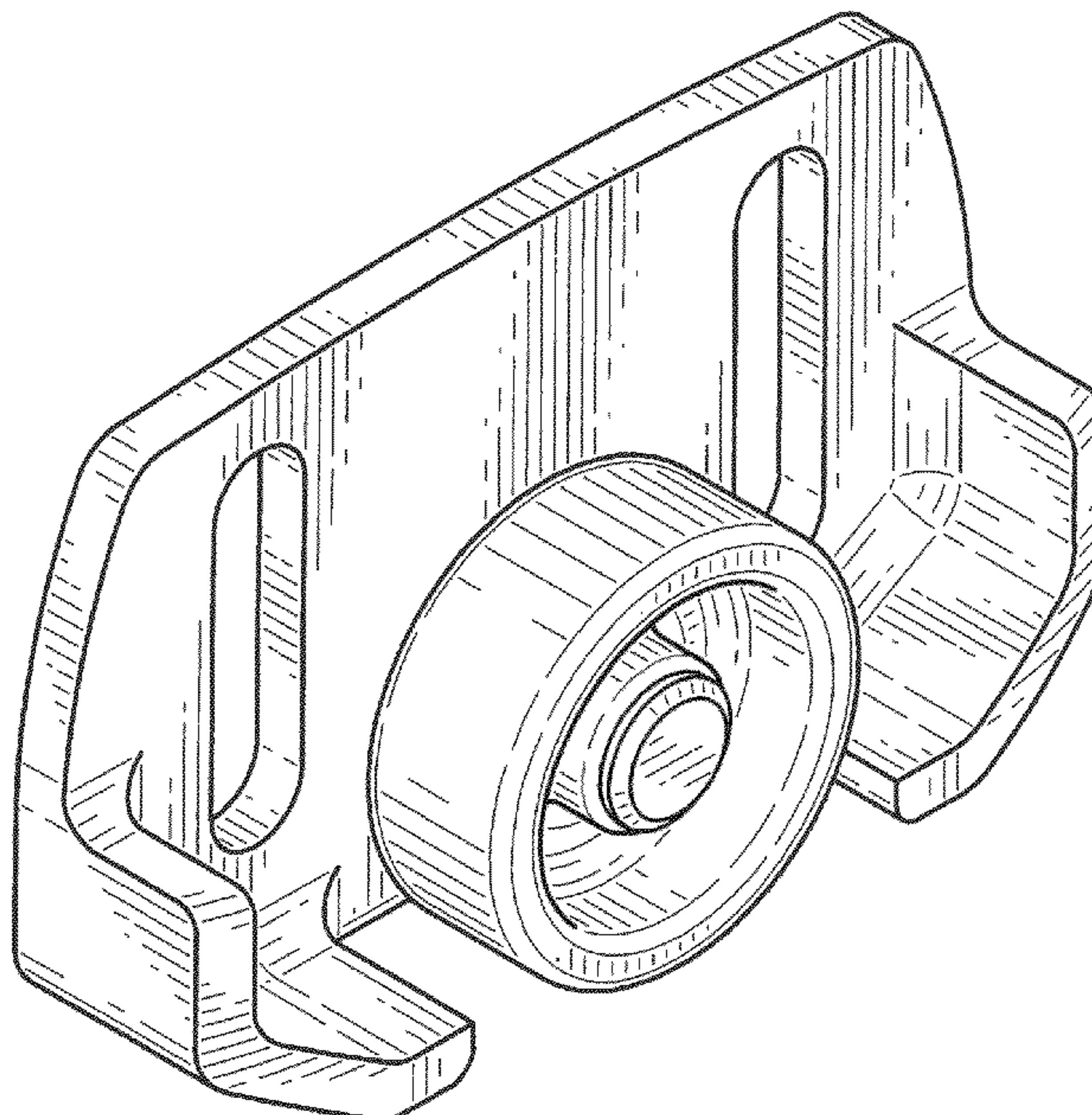
FIG. 4 is a top view;

FIG. 5 is a bottom view;

FIG. 6 is a left side elevation view; and,

FIG. 7 is a right side elevation view.

1 Claim, 3 Drawing Sheets



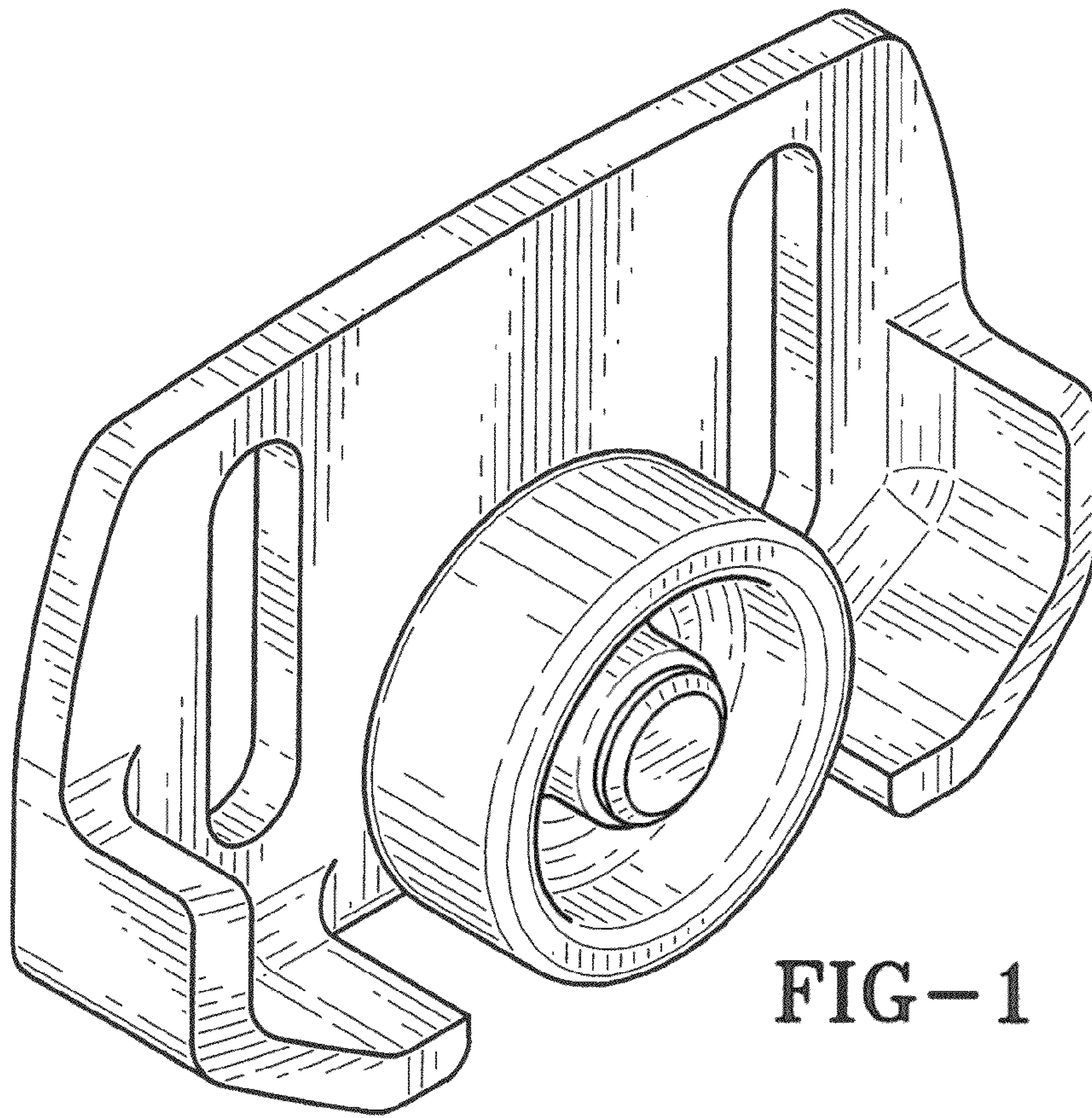


FIG-1

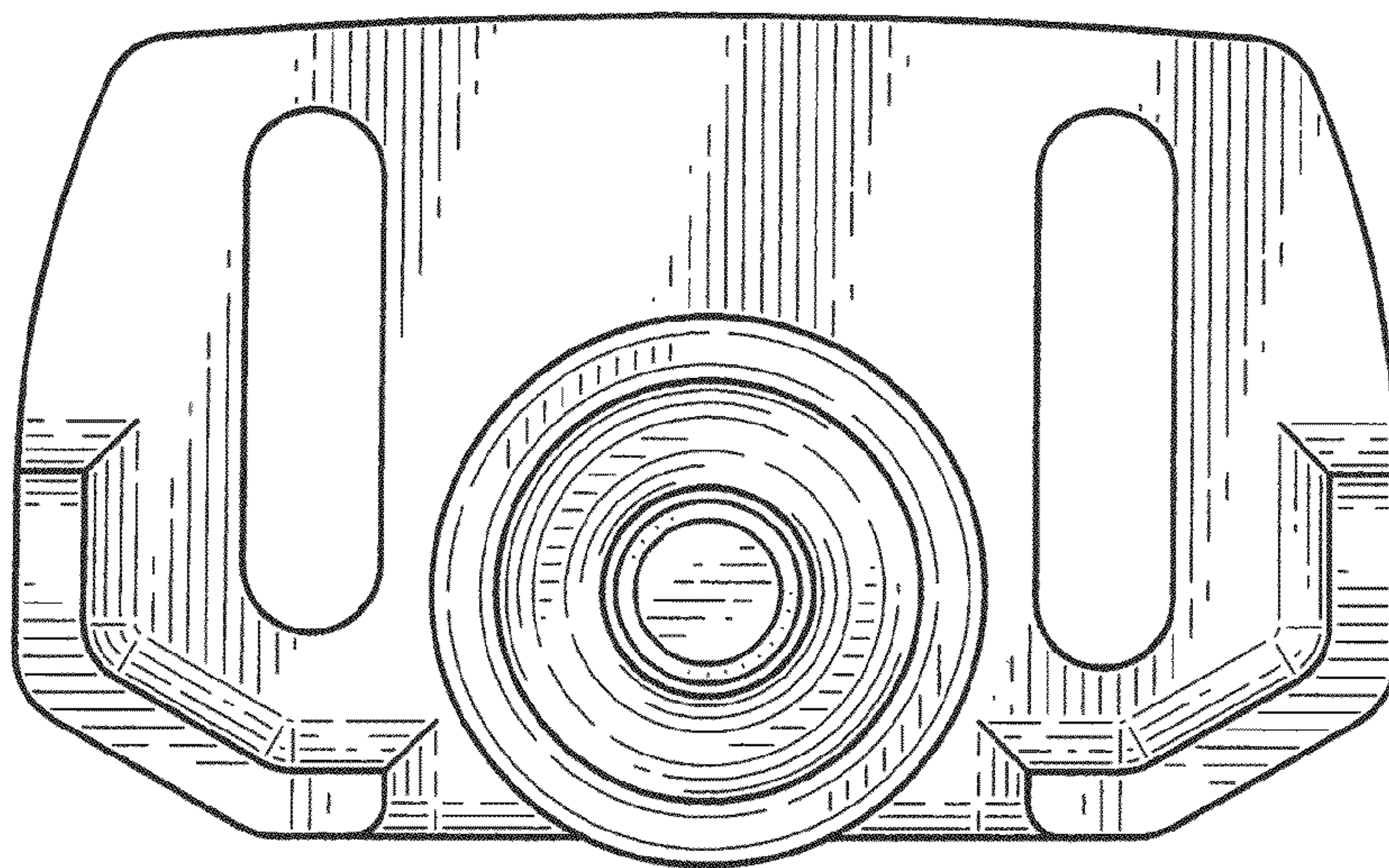


FIG-2

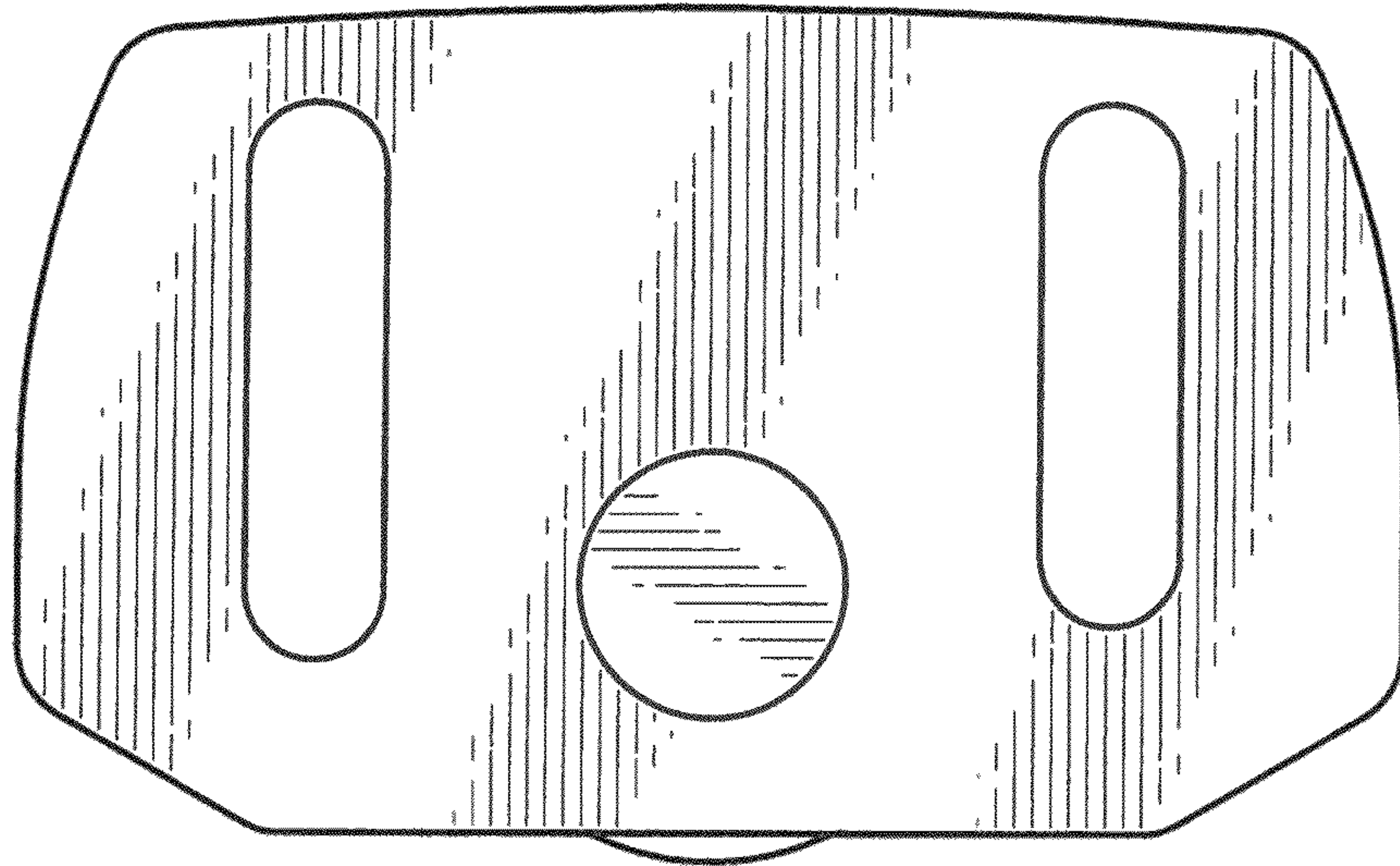


FIG-3

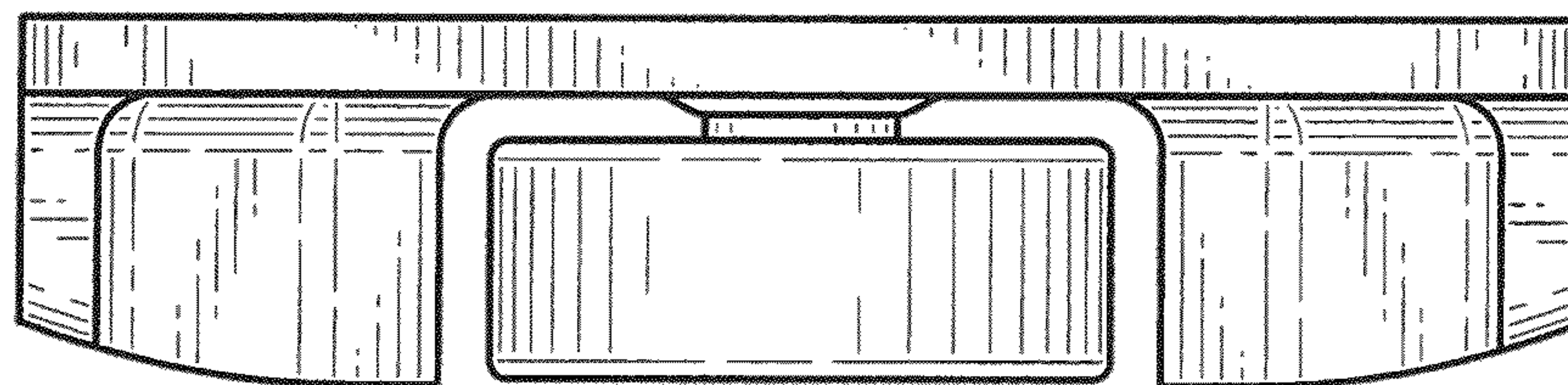


FIG-4

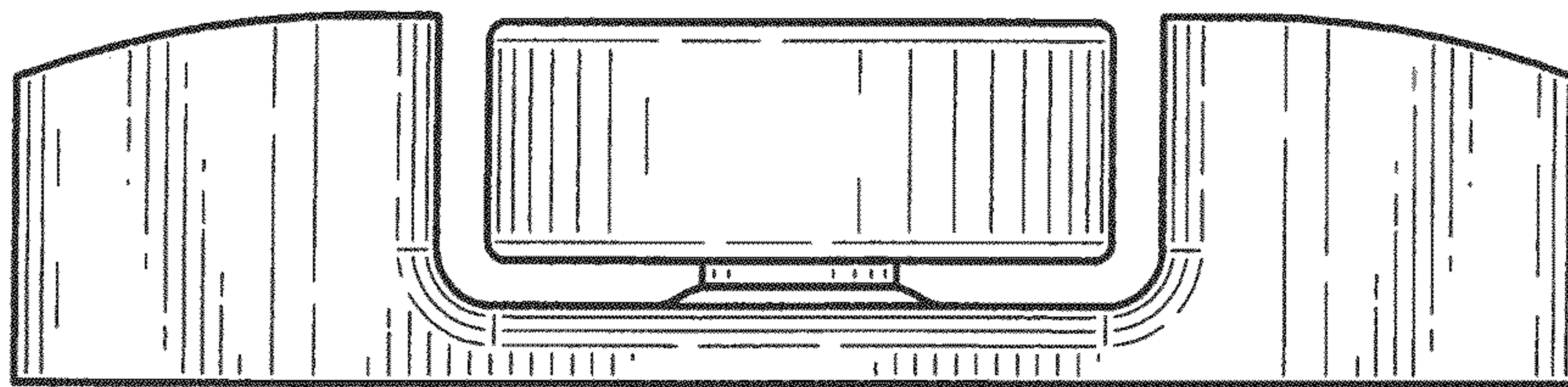


FIG-5

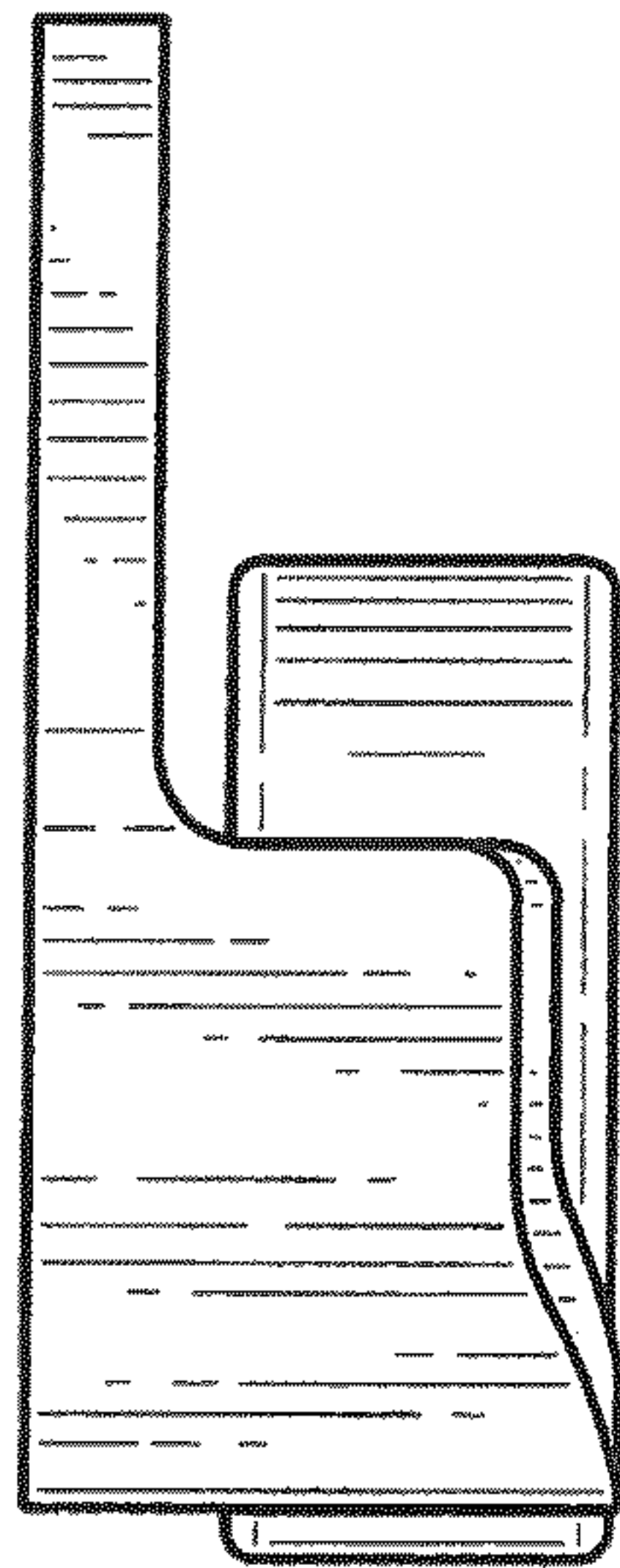


FIG-6

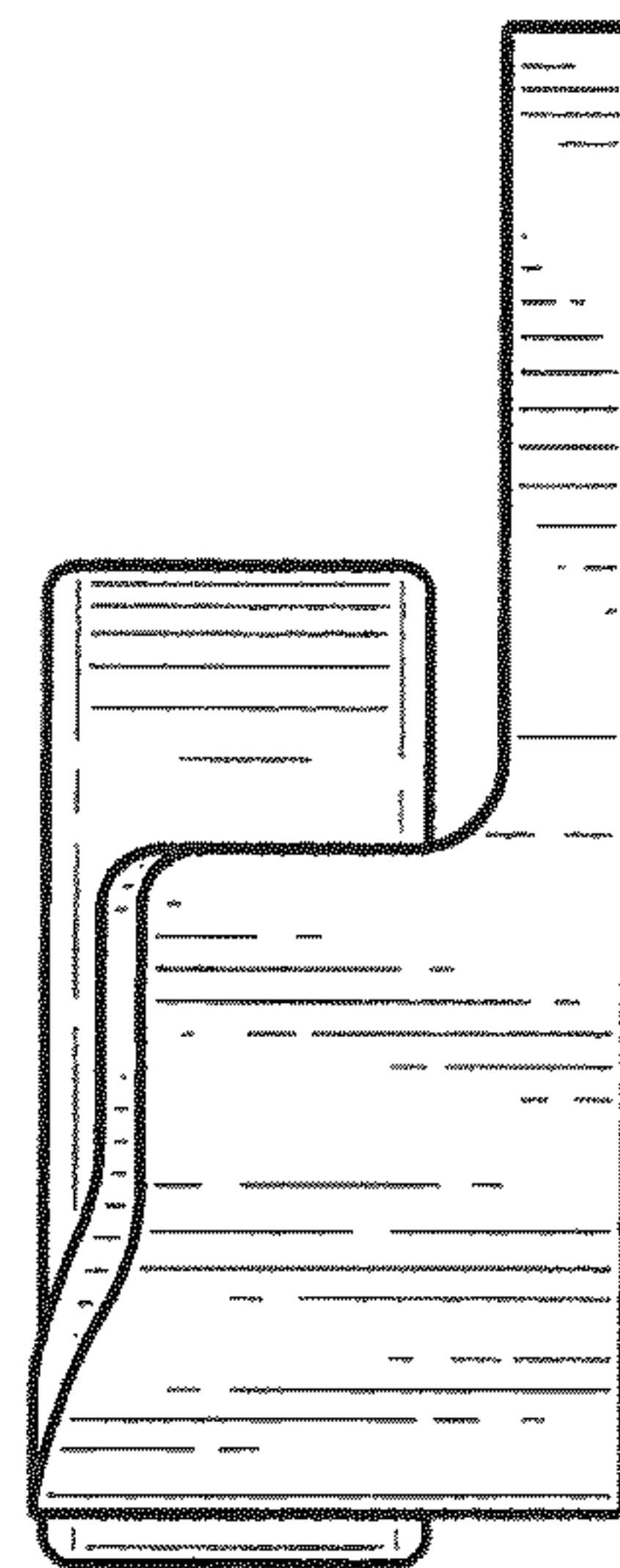


FIG-7