



US00D694763S

(12) **United States Design Patent**  
**Edwards et al.**

(10) **Patent No.:** **US D694,763 S**

(45) **Date of Patent:** **\*\* Dec. 3, 2013**

(54) **DISPLAY SCREEN WITH GRAPHICAL USER INTERFACE**

(75) Inventors: **Christopher D. Edwards**, Seattle, WA (US); **Keri Talbot**, Seattle, WA (US); **Jason F. Morrill**, Seattle, WA (US)

(73) Assignee: **Microsoft Corporation**, Redmond, WA (US)

(\*\*) Term: **14 Years**

(21) Appl. No.: **29/424,819**

(22) Filed: **Jun. 15, 2012**

(51) **LOC (9) Cl.** ..... **14-04**

(52) **U.S. Cl.**  
USPC ..... **D14/485**

(58) **Field of Classification Search**  
USPC ..... D14/485–495; 715/700–867  
See application file for complete search history.

(56) **References Cited**

**U.S. PATENT DOCUMENTS**

D395,291	S	*	6/1998	Mason et al.	.....	D14/490
6,002,399	A	*	12/1999	Haine et al.	.....	715/763
D472,902	S	*	4/2003	Nashida et al.	.....	D14/491
D473,566	S	*	4/2003	Platz et al.	.....	D14/489
D484,142	S	*	12/2003	Bungert	.....	D14/489
D501,484	S	*	2/2005	Platz et al.	.....	D14/489
D580,448	S	*	11/2008	Jasinski	.....	D14/486
D592,223	S	*	5/2009	Neuhaus	.....	D14/491
D593,107	S	*	5/2009	Shimoda et al.	.....	D14/485
D665,410	S	*	8/2012	Gupta et al.	.....	D14/488
8,238,666	B2	*	8/2012	Besley et al.	.....	382/203
8,253,747	B2	*	8/2012	Niles et al.	.....	345/474
D667,432	S	*	9/2012	Phelan	.....	D14/491
D667,842	S	*	9/2012	Ouilhet	.....	D14/489
D677,674	S	*	3/2013	Rampson et al.	.....	D14/485

D677,675	S	*	3/2013	Rampson et al.	.....	D14/485
D681,656	S	*	5/2013	Lawrence et al.	.....	D14/486
D683,738	S	*	6/2013	Wujcik et al.	.....	D14/485
D684,190	S	*	6/2013	Ridl et al.	.....	D14/491
D687,457	S	*	8/2013	Edwards et al.	.....	D14/486
D687,855	S	*	8/2013	Hudson et al.	.....	D14/489
D688,683	S	*	8/2013	Edwards et al.	.....	D14/486
2004/0036711	A1	*	2/2004	Anderson	.....	345/701
2006/0263098	A1	*	11/2006	Akiyama et al.	.....	398/188

**OTHER PUBLICATIONS**

Screenshot from Microsoft Visio. Seven pages of full-color photographs. Published by Microsoft Corporation of Redmond, WA. Author is Microsoft Corporation of Redmond, WA. Place of Publication is the Headquarters of Microsoft Corporation, Redmond, WA. Print date: Jun. 7, 2013. Date released unknown, but prior to the filing of the present application.

\* cited by examiner

*Primary Examiner* — Deanna L Pratt

(74) *Attorney, Agent, or Firm* — Banner & Witcoff, Ltd.

(57) **CLAIM**

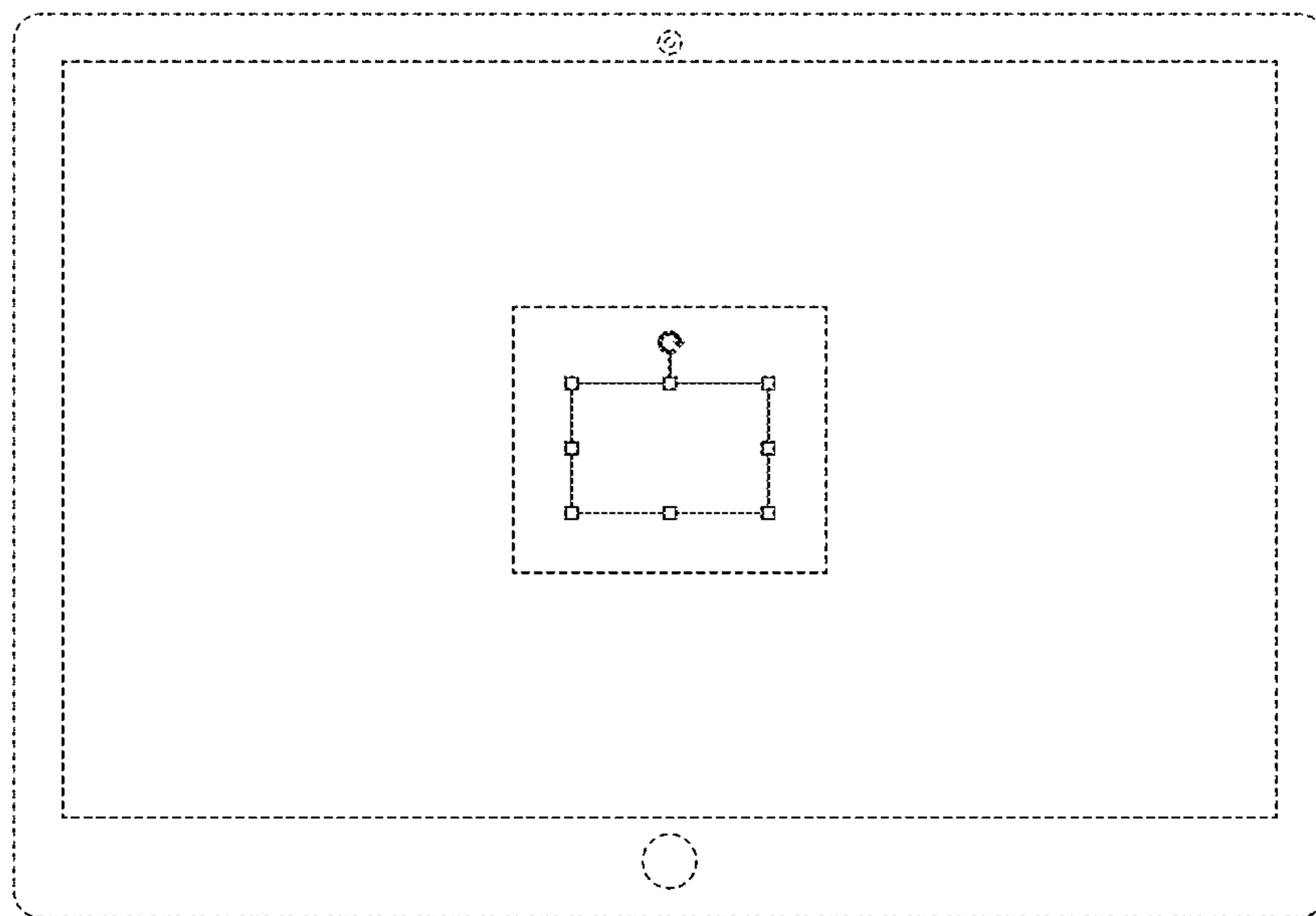
The ornamental design for a display screen with graphical user interface, as shown and described.

**DESCRIPTION**

FIG. 1 is a front view of a display screen with graphical user interface showing our new design; and, FIG. 2 is a front view of a display screen with graphical user interface showing an alternative embodiment of our new design.

The broken line showing of the remainder of the user interface and display screen is for environmental purposes only and forms no part of the claimed design.

**1 Claim, 2 Drawing Sheets**



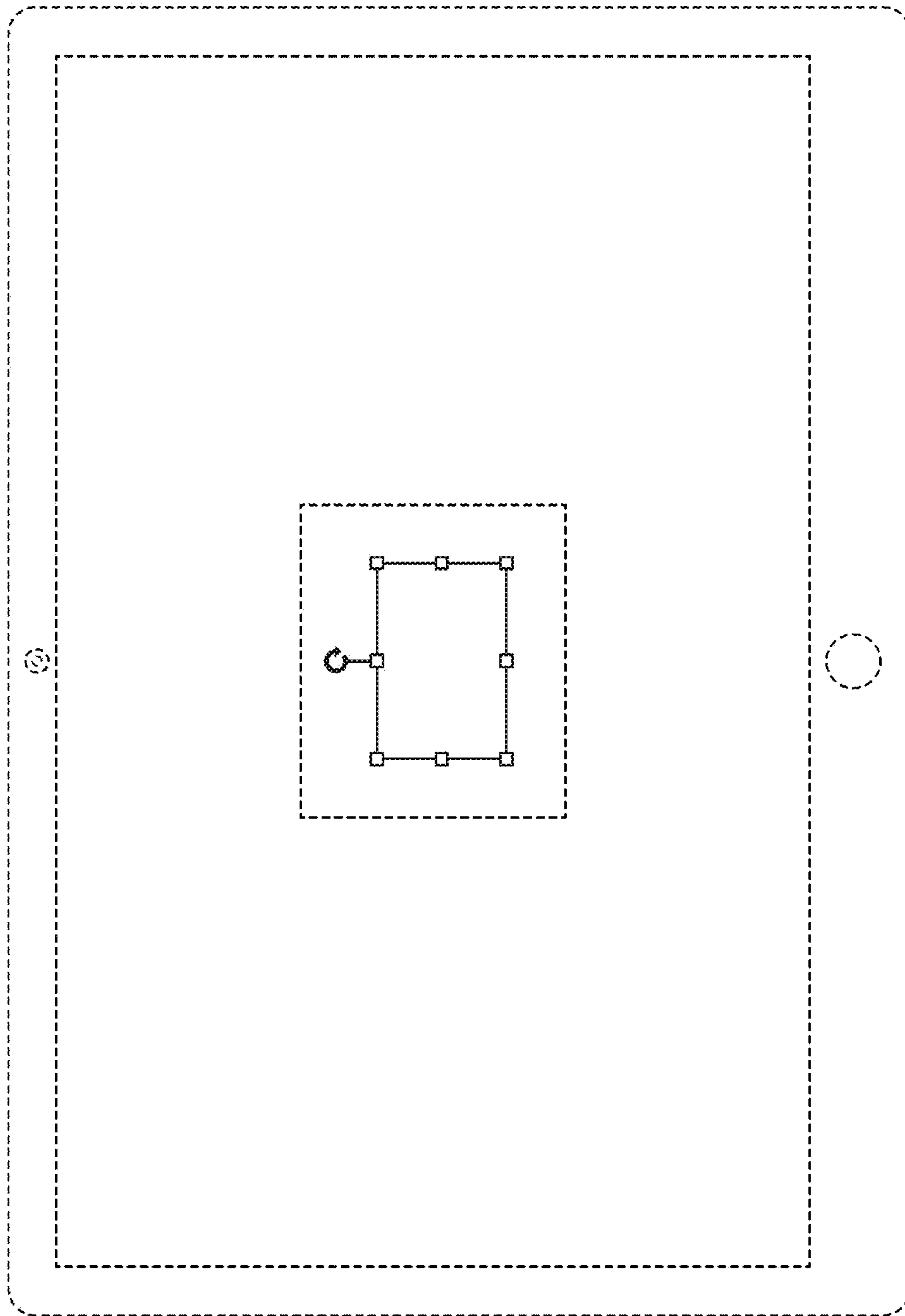


FIG. 1

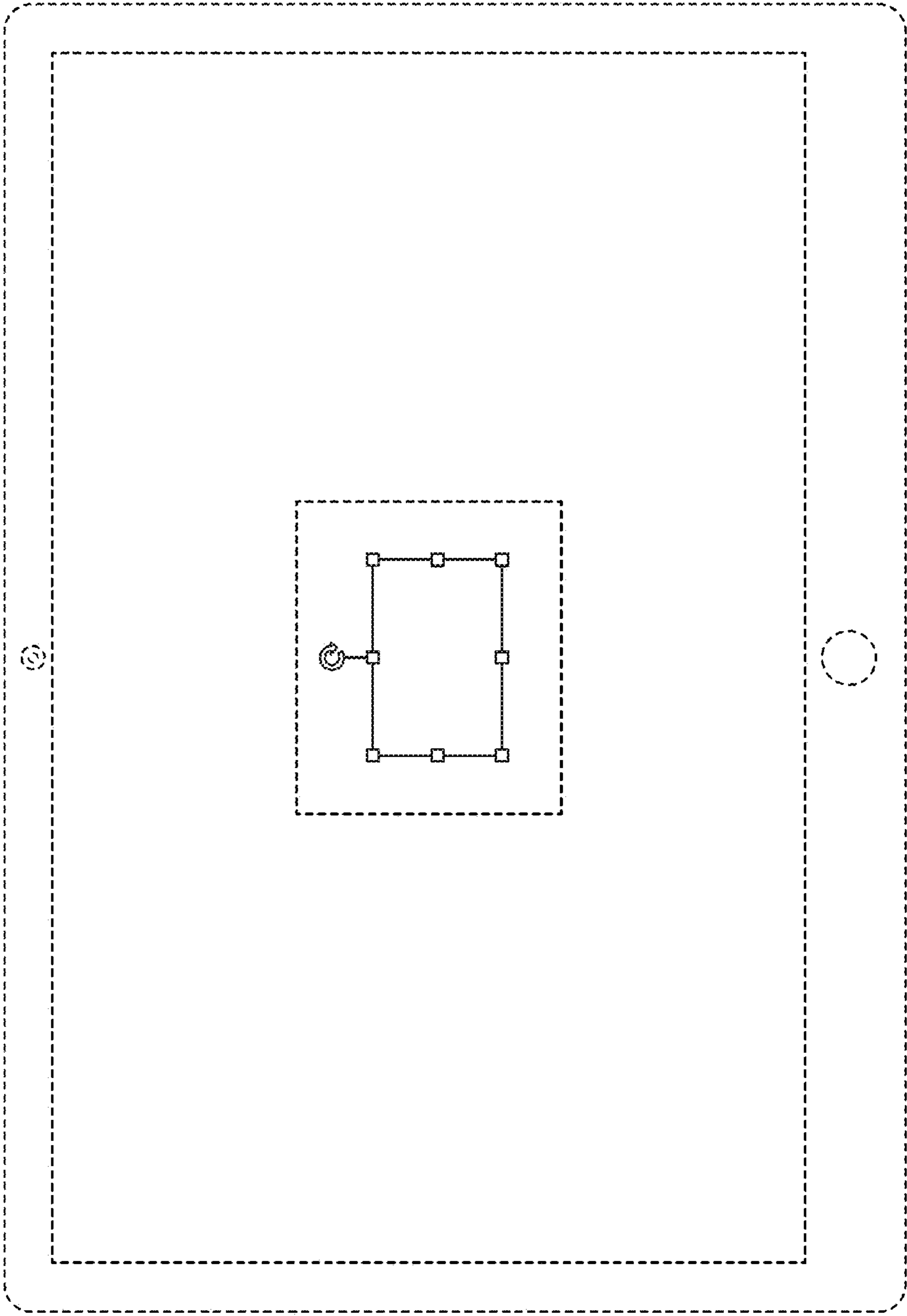


FIG. 2