



US00D694761S

(12) **United States Design Patent**
Zoll

(10) **Patent No.:** **US D694,761 S**
(45) **Date of Patent:** **** Dec. 3, 2013**

(54) **MULTI-PURPOSE POSITIONAL SUPPORT FOR ACCESSORIES SUCH AS PORTABLE DIGITAL DEVICES**

(76) Inventor: **Brian Michael Zoll**, Owosso, MI (US)

(**) Term: **14 Years**

(21) Appl. No.: **29/408,582**

(22) Filed: **Dec. 14, 2011**

(51) **LOC (9) Cl.** **08-07**

(52) **U.S. Cl.**
USPC **D14/447**

(58) **Field of Classification Search**
USPC D14/447, 432, 433, 434, 439, 440, 451, D14/452, 457, 239, 251, 253, 217, 374, 375, D14/376, 377, 902, 216, 209.1, 204, 448, D14/449, 302, 307, 392; D12/415, 416; D3/218, 274, 318, 321, 328; D6/406.3, D6/406.4; 190/117; 361/679.03, 679.09, 361/679.05, 679.26, 679.3, 679.55, 679.56, 361/679.27; 248/176.1, 917, 918, 919, 920, 248/921, 922, 923, 924, 682, 689, 690, 691, 248/692, 441.1, 444, 447, 451, 460, 463, 248/118, 118.5, 149, 150, 166, 434, 177.1; D10/113.4; D16/242, 244, 245; 108/42, 152

See application file for complete search history.

(56) **References Cited**

U.S. PATENT DOCUMENTS

7,391,606 B2 * 6/2008 Chen et al. 361/679.27
D575,293 S * 8/2008 Derry et al. D14/447
D620,941 S * 8/2010 Stacey et al. D14/447

D630,222 S * 1/2011 Lin D14/447
8,033,229 B1 * 10/2011 McCanna 108/145
8,066,241 B2 * 11/2011 Yu et al. 248/286.1
8,074,953 B1 * 12/2011 McKellar 248/462
D653,668 S * 2/2012 Song et al. D14/447
D659,147 S * 5/2012 Hu et al. D14/447
2003/0066937 A1 * 4/2003 Smith 248/176.1
2008/0265109 A1 * 10/2008 Derry et al. 248/149
2009/0242723 A1 * 10/2009 Starcher 248/460
2010/0220992 A1 * 9/2010 Bevirt 396/428
2010/0294908 A1 * 11/2010 Mish et al. 248/451
2012/0145878 A1 * 6/2012 Zoll 248/688

* cited by examiner

Primary Examiner — Angela J Lee

(74) *Attorney, Agent, or Firm* — Gifford, Krass, Sprinkle, Anderson & Citkowski, P.C.

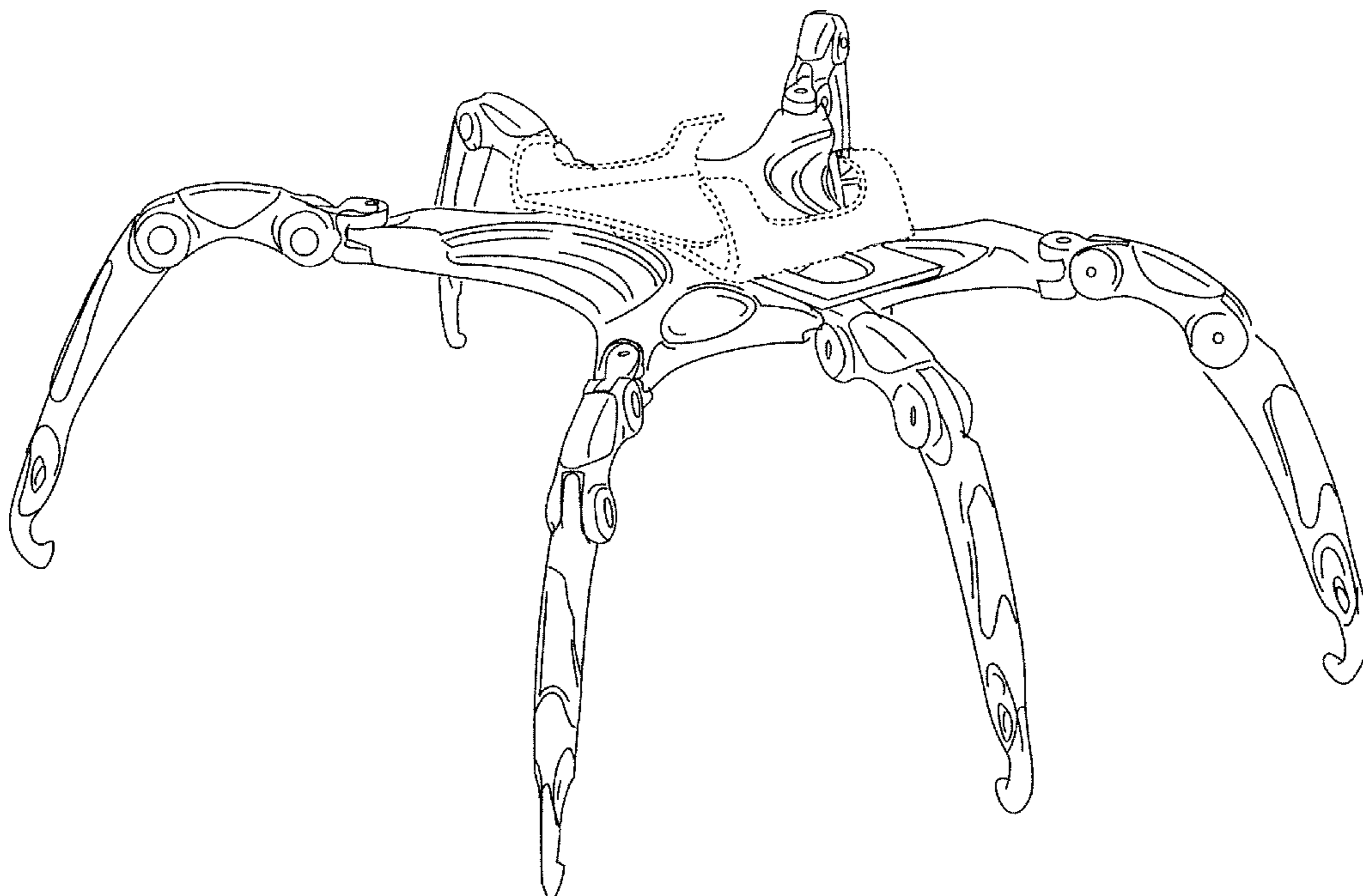
(57) **CLAIM**

The ornamental design for a multi-purpose positional support for accessories such as portable digital devices, as shown and described.

DESCRIPTION

FIG. 1 is a perspective view of a multi-purpose positional support for accessories such as portable digital devices according to the present invention; FIG. 2 is a front elevational view of the support device of FIG. 1, the back view being a mirror image thereof; FIG. 3 is a side elevational view of the support device of FIG. 1 and 2, the opposite side being a mirror image thereof; FIG. 4 is a top view of the support device of FIGS. 1-3; and, FIG. 5 is a bottom view of the support device of FIGS. 1-4. The broken lines shown in the Figures are for environmental purposes only and form no part of the claimed design.

1 Claim, 5 Drawing Sheets



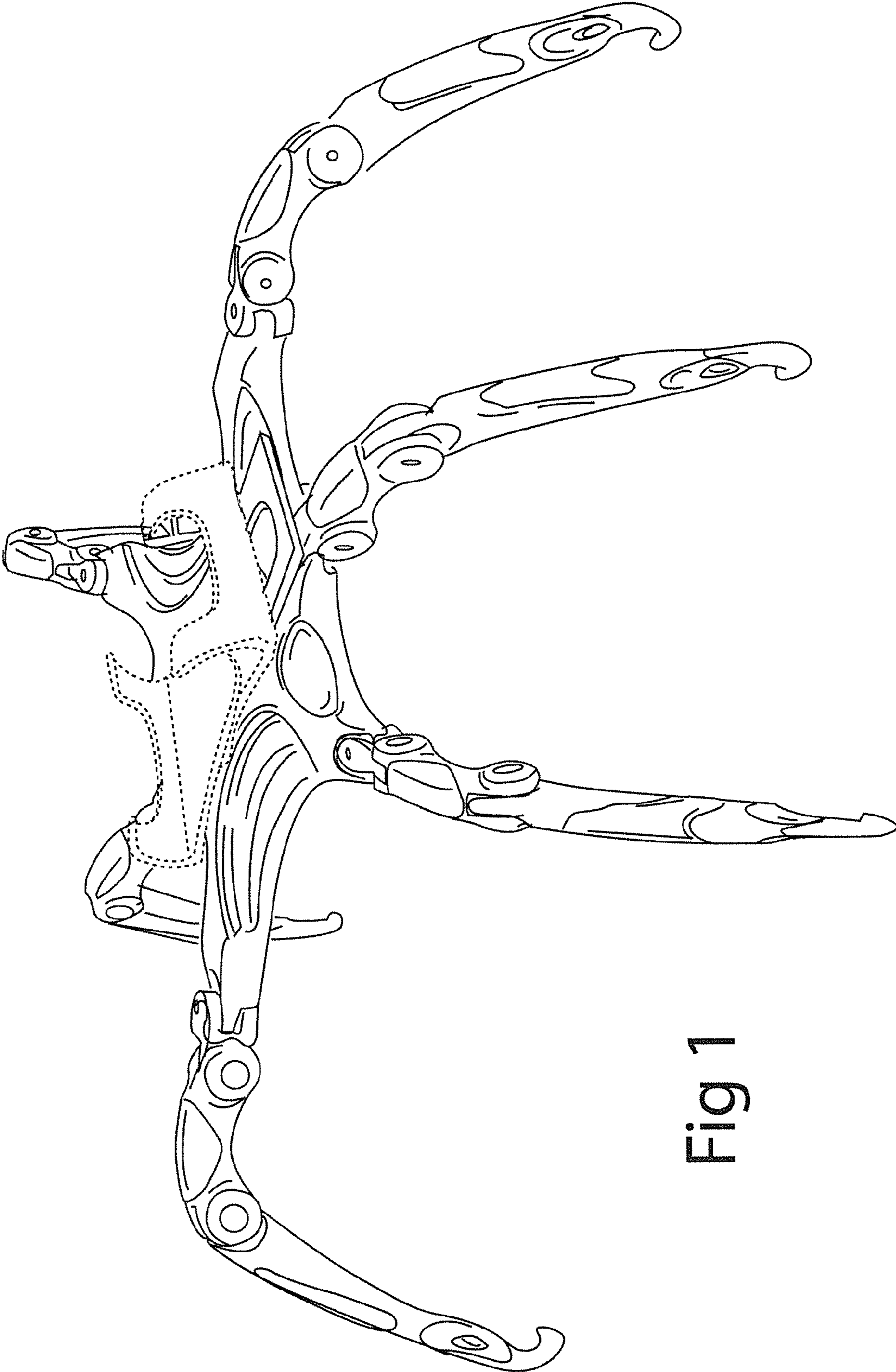


Fig 1

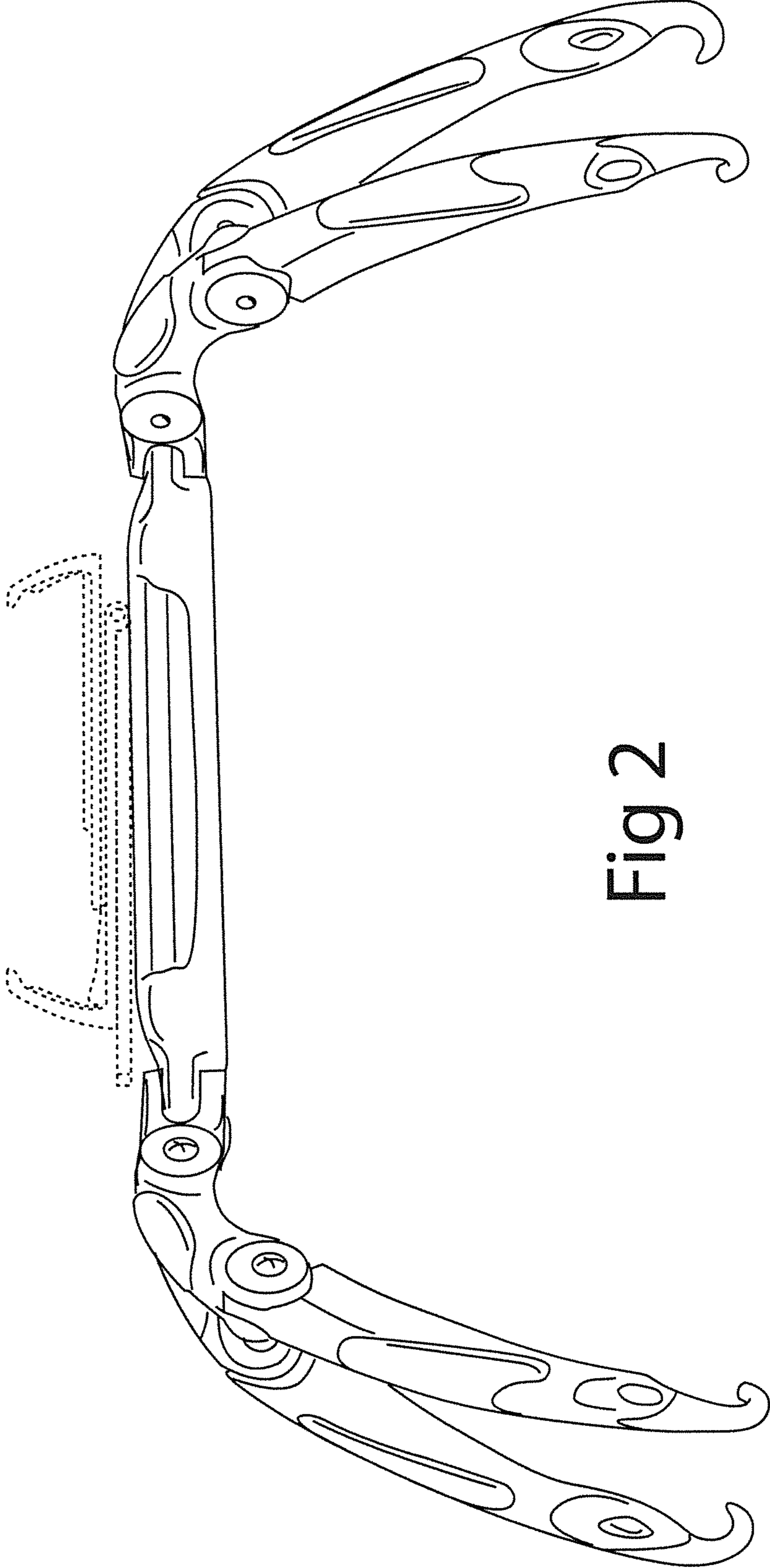


Fig 2

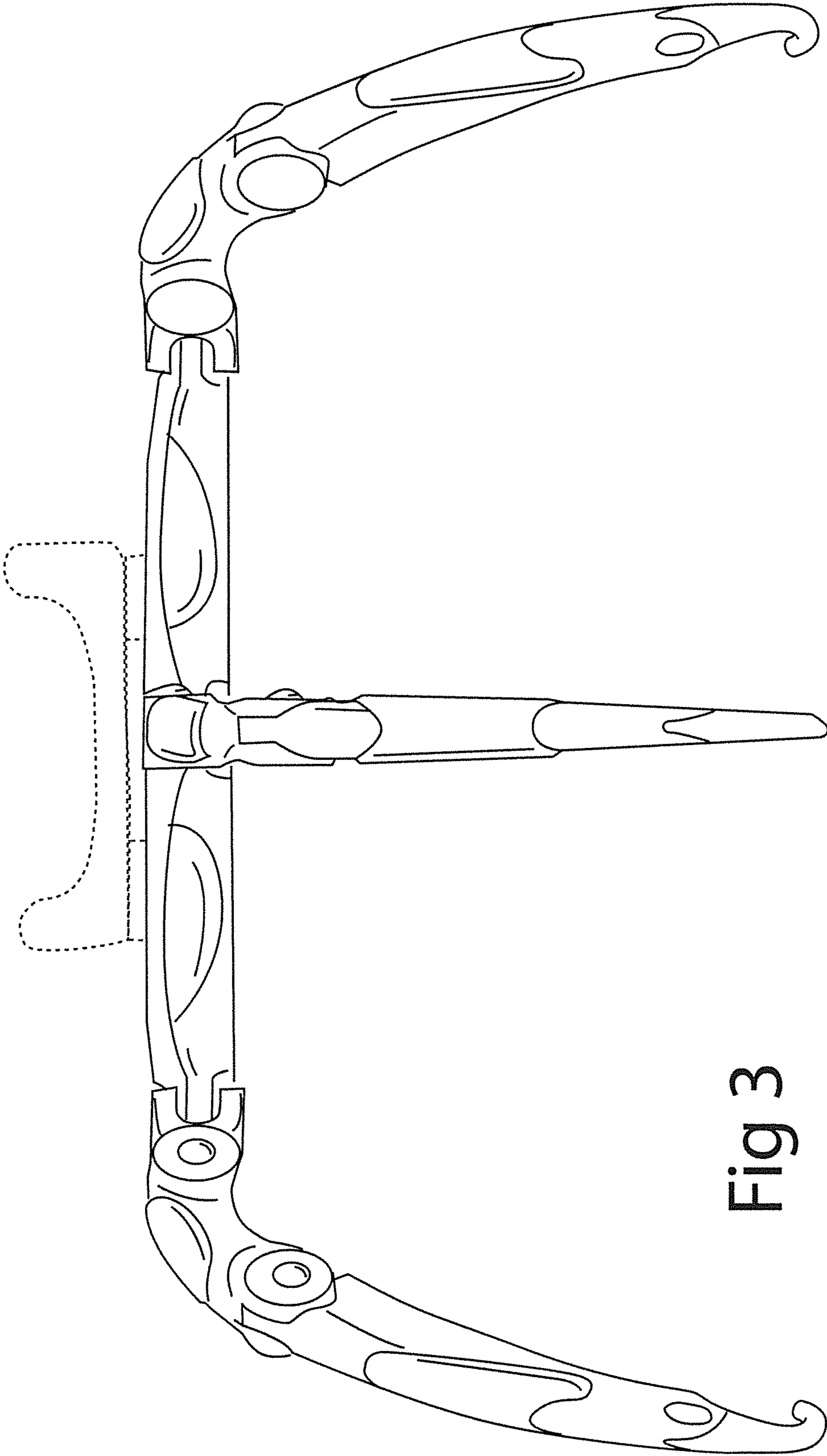


Fig 3

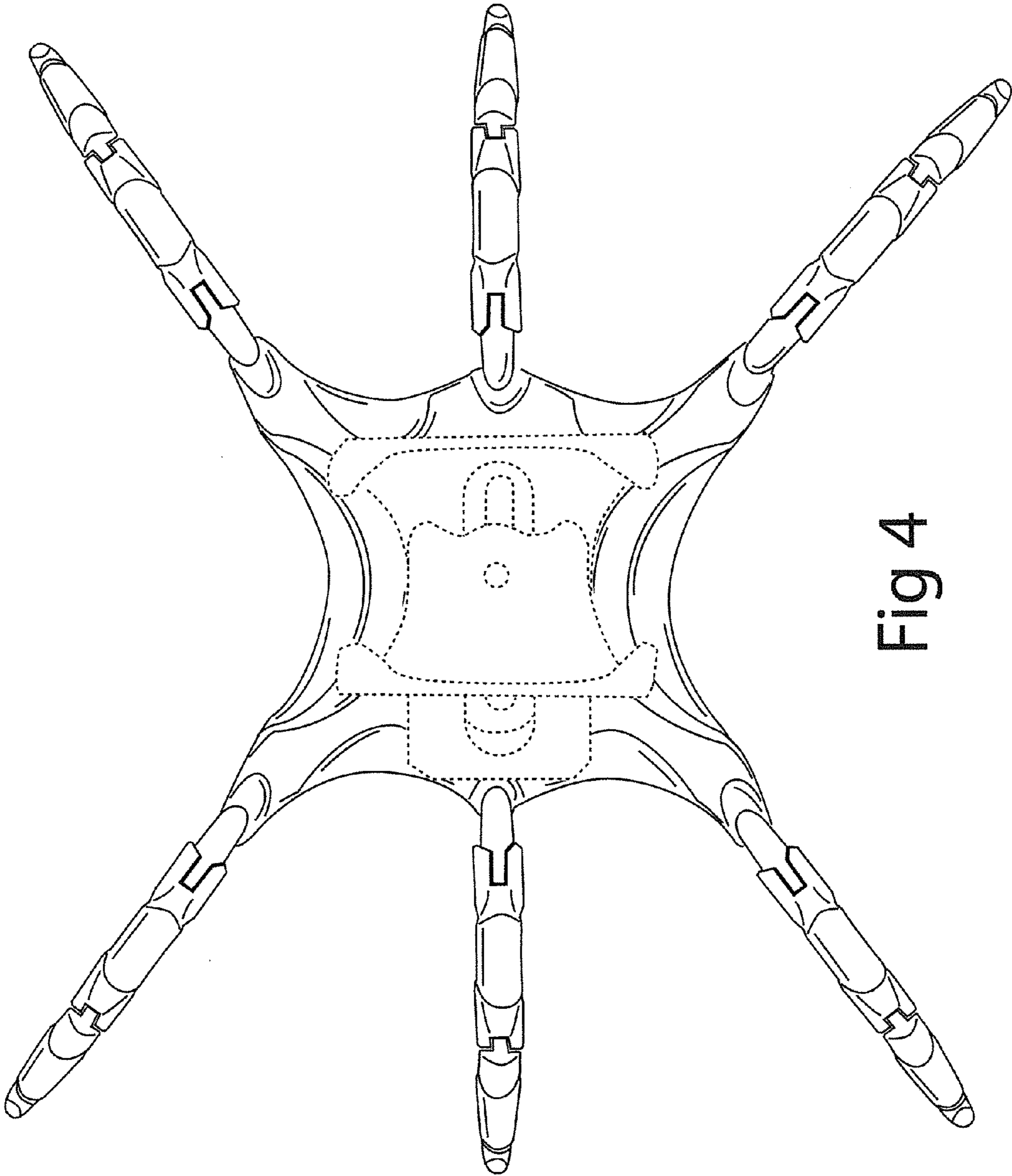


Fig 4

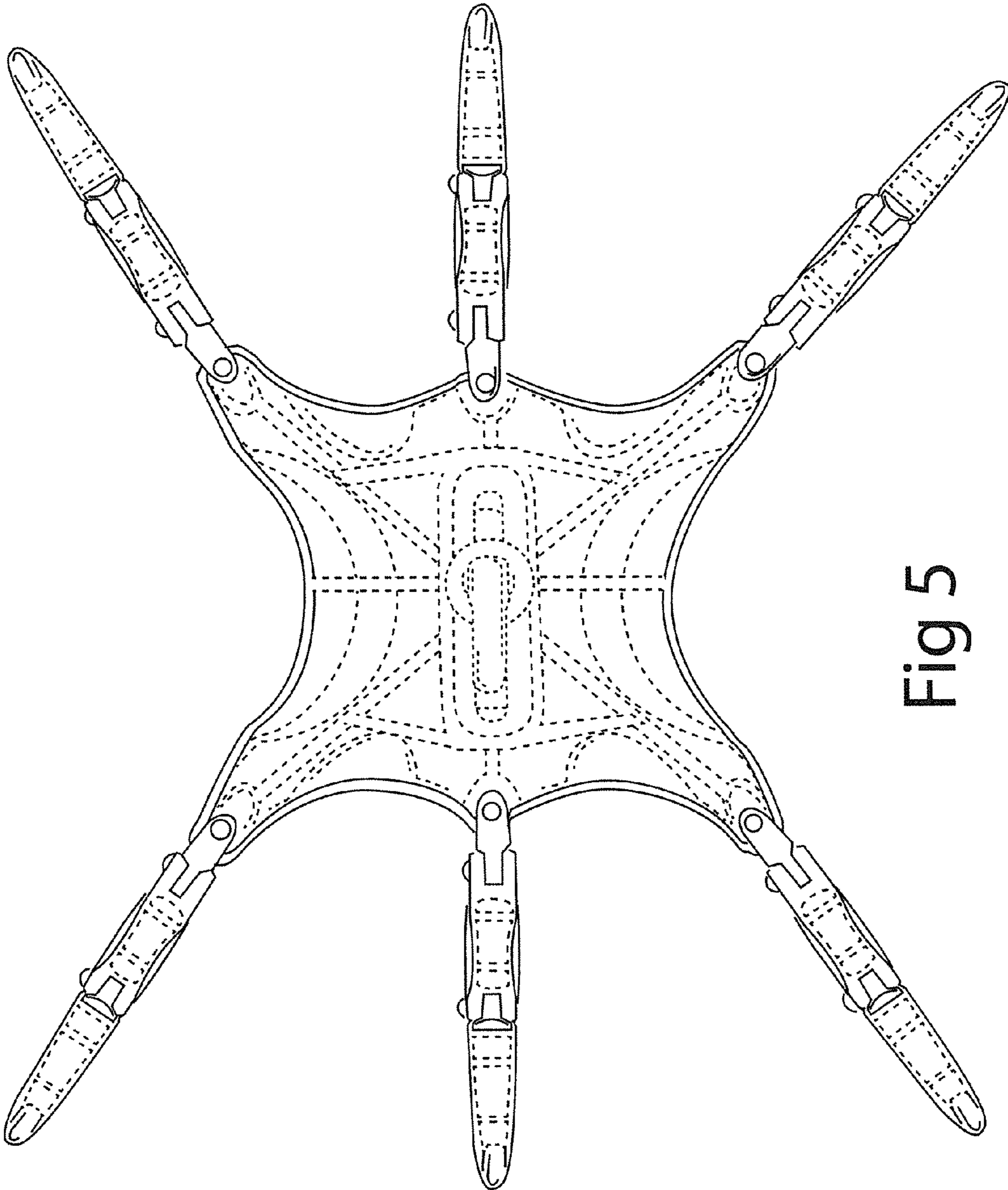


Fig 5