



US00D694755S

(12) **United States Design Patent**
Akana et al.

(10) **Patent No.:** **US D694,755 S**
(45) **Date of Patent:** **** Dec. 3, 2013**

(54) **COMPONENT FOR A PORTABLE DISPLAY DEVICE**

(75) Inventors: **Jody Akana**, San Francisco, CA (US); **Bartley K. Andre**, Palo Alto, CA (US); **Jeremy Bataillou**, San Francisco, CA (US); **Daniel J. Coster**, San Francisco, CA (US); **Daniele De Iuliis**, San Francisco, CA (US); **Kevin David Gibbs**, Menlo Park, CA (US); **M. Evans Hankey**, San Francisco, CA (US); **Julian Hoenig**, San Francisco, CA (US); **Richard P. Howarth**, San Francisco, CA (US); **Jonathan P. Ive**, San Francisco, CA (US); **Duncan Robert Kerr**, San Francisco, CA (US); **Shin Nishibori**, Kailua, HI (US); **Carl R. Peterson**, Santa Clara, CA (US); **John Raff**, Menlo Park, CA (US); **Matthew Dean Rohrbach**, San Francisco, CA (US); **Peter Russell-Clarke**, San Francisco, CA (US); **Christopher J. Stringer**, Woodside, CA (US); **Eugene Antony Whang**, San Francisco, CA (US); **Rico Zörkendörfer**, San Francisco, CA (US)

(73) Assignee: **Apple Inc.**, Cupertino, CA (US)

(**) Term: **14 Years**

(21) Appl. No.: **29/415,041**

(22) Filed: **Mar. 7, 2012**

(51) **LOC (9) Cl.** **14-02**

(52) **U.S. Cl.**
USPC **D14/383**; D14/341

(58) **Field of Classification Search**
USPC D14/341–347, 137, 138.1, 138 AA, D14/138 R, 138 AB, 138 G, 496, 426, 429, D14/129, 130, 420, 439–441, 448, 125, 147, D14/156, 218, 250, 389, 336, 203.1, 203.3, D14/203.4; D21/332, 325, 369, 370, 324; D10/65, 104; 345/169, 901, 905, 156, 345/157, 168, 173

See application file for complete search history.

(56) **References Cited**

U.S. PATENT DOCUMENTS

D30,079 S 1/1899 Sametz
2,968,176 A 12/1958 Collings

(Continued)

FOREIGN PATENT DOCUMENTS

EM 001802315-0001 1/2001
EM 001767435-0001 10/2010

(Continued)

OTHER PUBLICATIONS

Apple's Reply in Support of its Motion for a Preliminary Injunction (Redacted), p. 11, *Apple Inc. v Samsung Electronics Co., Ltd.*, United States District Court, Northern District of California, San Jose Division, Case No. 11-cv-01846-LHK, dated Oct. 13, 2011, 38 pages total.

(Continued)

Primary Examiner — Austin Murphy

(74) *Attorney, Agent, or Firm* — Sterne, Kessler, Goldstein & Fox PLLC

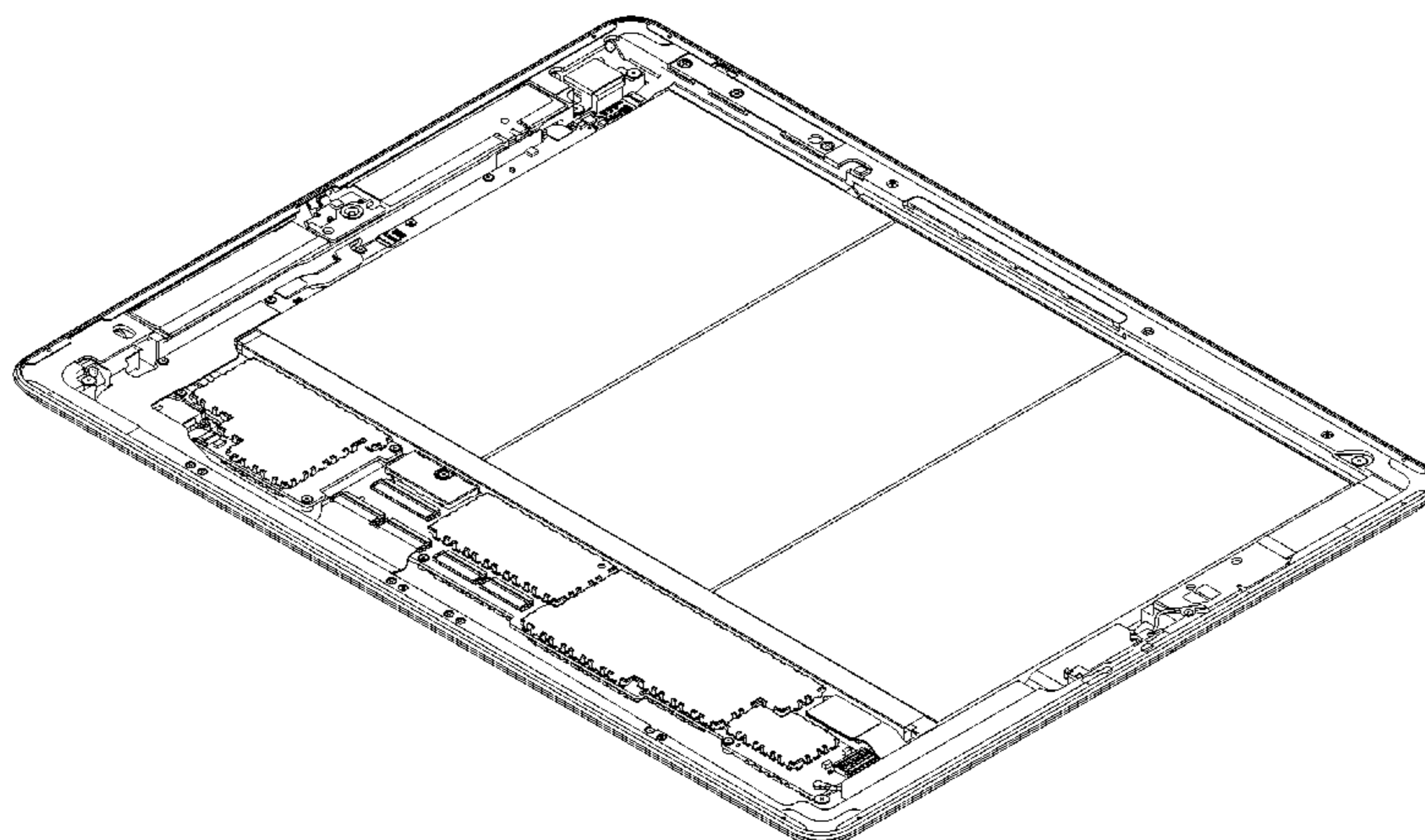
(57) **CLAIM**

The ornamental design for a housing for a portable display device, as shown and described.

DESCRIPTION

FIG. 1 is a front perspective view of a housing for a portable display device showing our new design; FIG. 2 is a front view thereof; FIG. 3 is a rear view thereof; FIG. 4 is a top view thereof; FIG. 5 is a bottom view thereof; FIG. 6 is a side view thereof; and, FIG. 7 is another side view thereof. The shade lines in the Figures show contour and not surface ornamentation.

1 Claim, 4 Drawing Sheets



(56)

References Cited

U.S. PATENT DOCUMENTS

D305,717 S 1/1990 Soren et al.
 D306,583 S 3/1990 Krolopp et al.
 D309,293 S 7/1990 Helbig, Jr.
 D332,328 S 1/1993 Lombardi, Jr.
 5,180,644 A 1/1993 Bresin et al.
 D333,574 S * 3/1993 Ackeret D6/300
 D340,917 S 11/1993 Sakaguchi et al.
 5,703,626 A 12/1997 Itoh et al.
 D412,157 S 7/1999 Stevenson
 6,094,340 A 7/2000 Min
 6,276,655 B1 8/2001 Byoun
 D451,535 S * 12/2001 Lee D18/4.6
 D453,930 S 2/2002 Vuolteenaho et al.
 D454,868 S 3/2002 Vuolteenaho et al.
 D461,802 S 8/2002 Tu
 D474,163 S 5/2003 Araki
 D490,420 S * 5/2004 Solomon et al. D14/341
 D494,971 S 8/2004 Jobs et al.
 D498,235 S * 11/2004 Chen et al. D18/4.6
 D500,037 S 12/2004 Ozolins et al.
 D504,889 S 5/2005 Andre et al.
 D543,979 S * 6/2007 Lee D14/341
 D574,819 S 8/2008 Andre et al.
 D585,056 S * 1/2009 Ekelund D14/336
 D593,553 S * 6/2009 Okamoto et al. D14/341
 D599,342 S 9/2009 Andre et al.
 D599,736 S 9/2009 Ferber et al.
 D599,797 S * 9/2009 Kim D14/383
 D600,241 S 9/2009 Andre et al.
 D601,559 S * 10/2009 Green et al. D14/346
 D602,017 S 10/2009 Andre et al.
 D602,488 S 10/2009 Jiang et al.
 D604,289 S 11/2009 Andre et al.
 D604,292 S 11/2009 Andre et al.
 D604,733 S 11/2009 Andre et al.
 D606,988 S 12/2009 Andre et al.
 D608,763 S 1/2010 Andre et al.
 D609,226 S 2/2010 Hofer et al.
 D609,705 S 2/2010 Andre et al.
 D611,469 S 3/2010 Andre et al.
 7,688,574 B2 3/2010 Zadesky et al.
 D614,161 S 4/2010 Andre et al.
 D614,162 S 4/2010 Andre et al.
 7,697,281 B2 4/2010 Dabov et al.
 D615,554 S 5/2010 Andre et al.
 D617,792 S 6/2010 Andre et al.
 D618,241 S 6/2010 Akana et al.
 D618,242 S 6/2010 Akana et al.
 D619,361 S 7/2010 Andre et al.
 D620,004 S 7/2010 Andre et al.
 D622,514 S 8/2010 Park et al.
 D622,716 S 8/2010 Andre et al.
 D622,718 S 8/2010 Andre et al.
 D623,184 S * 9/2010 Green et al. D14/346
 D624,536 S 9/2010 Andre et al.
 D625,303 S 10/2010 Kim
 D625,307 S * 10/2010 Cheng D14/341
 D626,957 S * 11/2010 Juan et al. D14/345
 D627,777 S 11/2010 Akana et al.
 D630,207 S 1/2011 Seong
 D630,630 S 1/2011 Andre et al.
 D631,474 S 1/2011 Green et al.
 7,869,206 B2 1/2011 Dabov et al.
 D632,688 S 2/2011 Seong
 D633,090 S 2/2011 Andre et al.

D633,092 S 2/2011 Andre et al.
 D636,769 S * 4/2011 Wood et al. D14/341
 D636,770 S 4/2011 Li
 7,933,123 B2 4/2011 Wang et al.
 D637,596 S 5/2011 Akana et al.
 D641,018 S 7/2011 Lee et al.
 D642,563 S 8/2011 Akana et al.
 D645,435 S * 9/2011 Kim et al. D14/138 G
 D645,833 S 9/2011 Seflic et al.
 D646,266 S 10/2011 Kim et al.
 D648,722 S * 11/2011 Meyerhoffer et al. D14/346
 D650,381 S 12/2011 Park et al.
 D651,606 S 1/2012 Luijben
 8,106,836 B2 1/2012 Hill et al.
 D654,497 S 2/2012 Lee
 D656,136 S 3/2012 Lee
 D657,782 S 4/2012 Biller
 D659,692 S 5/2012 Jung et al.
 D663,298 S * 7/2012 Song et al. D14/341
 8,243,429 B2 8/2012 Zadesky et al.
 D666,563 S * 9/2012 Lee D14/125
 D670,692 S * 11/2012 Akana et al. D14/341
 D673,952 S * 1/2013 Toda et al. D14/383
 D677,255 S * 3/2013 McManigal et al. D14/341
 D677,659 S * 3/2013 Akana et al. D14/341
 D680,526 S * 4/2013 Gammon et al. D14/341
 D681,632 S * 5/2013 Akana et al. D14/341
 D685,752 S * 7/2013 Kimura et al. D14/125
 2006/0237599 A1 10/2006 Ternus et al.
 2008/0225468 A1 9/2008 Huang et al.
 2009/0067141 A1 3/2009 Dabov et al.
 2010/0146766 A1 6/2010 Dabov et al.
 2011/0050560 A1 3/2011 Foster et al.
 2011/0088838 A1 4/2011 Thompson et al.
 2011/0164365 A1 7/2011 McClure et al.
 2011/0166690 A1 7/2011 Ternus et al.
 2011/0180557 A1 7/2011 Kenney
 2011/0299231 A1 12/2011 Gaddis et al.
 2012/0044123 A1 2/2012 Rothkopf et al.
 2012/0048589 A1 3/2012 Jol
 2012/0051025 A1 3/2012 Jol et al.
 2012/0097412 A1 4/2012 Wennemer et al.
 2012/0194997 A1 * 8/2012 McClure et al. 361/679.55

FOREIGN PATENT DOCUMENTS

JP D1142127 5/2002
 JP D1250487 9/2005
 KR 30-0598021 5/2011

OTHER PUBLICATIONS

Arrington, M., TechCrunch, "We Want A Dead Simple Tablet for \$200, Help Us Build It," <http://techcrunch.com/2008/07/21/we-want-a-dead-simple-web-tablet-help-us-build-it/>, published Jul. 27, 2008, 4 pages.
 My Burmese Blog, "Apple Touch Screen Netbook Prototypes Hit The Web," <http://www.htootayzar.com/myblog/2009/03/apple-touch-screen-netbook-prototypes-hit-the-web/>, published Mar. 12, 2009, 10 pages.
 U.S. Appl. No. 29/376,056, filed Sep. 30, 2010, inventors Akana, et al. (not published).
 U.S. Appl. No. 29/385,793, filed Feb. 18, 2011, inventors Akana et al. (not published).
 U.S. Appl. No. 29/386,208, filed Feb. 25, 2011, inventors Akana, et al. (not published).

* cited by examiner

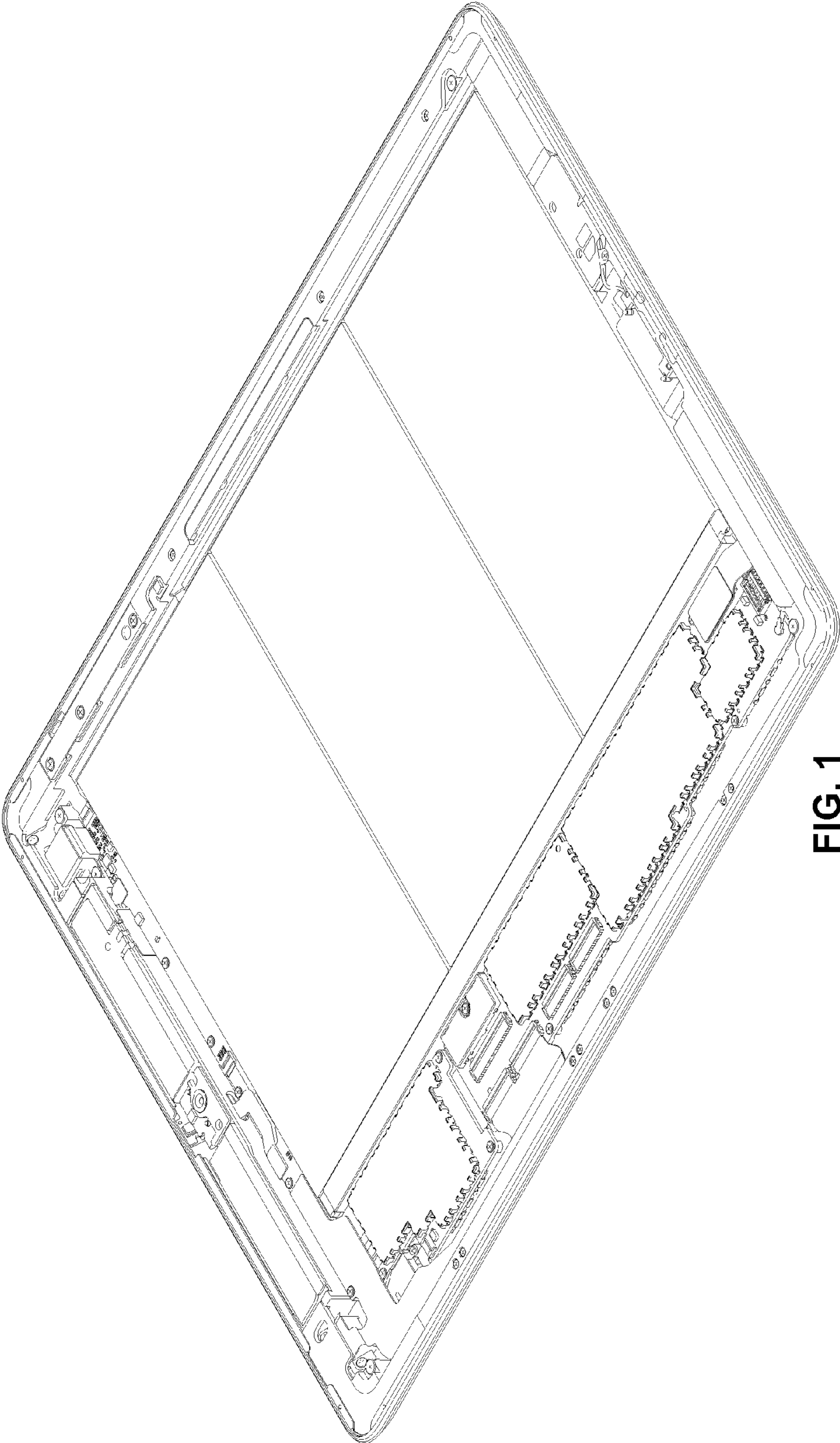


FIG. 1

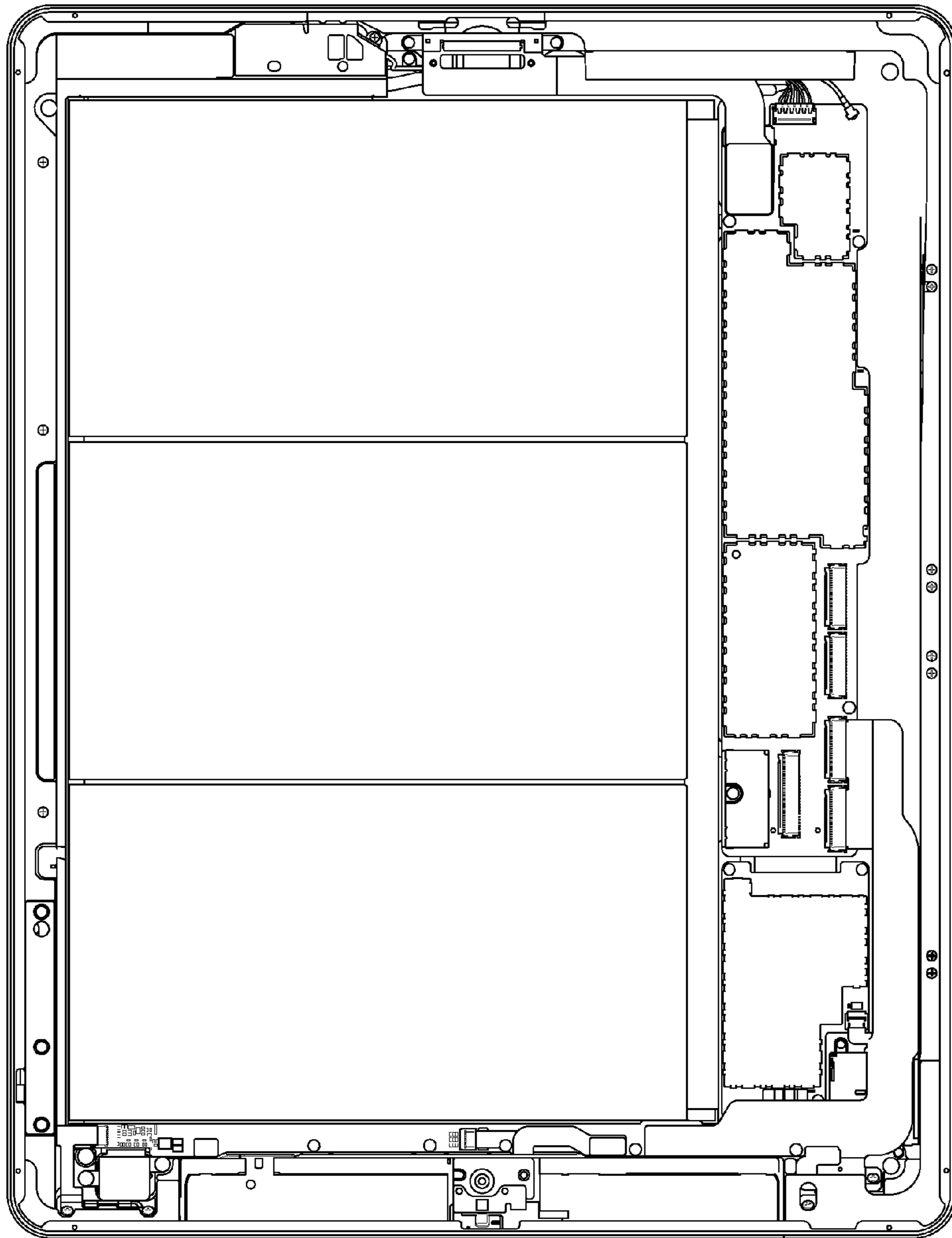


FIG. 2

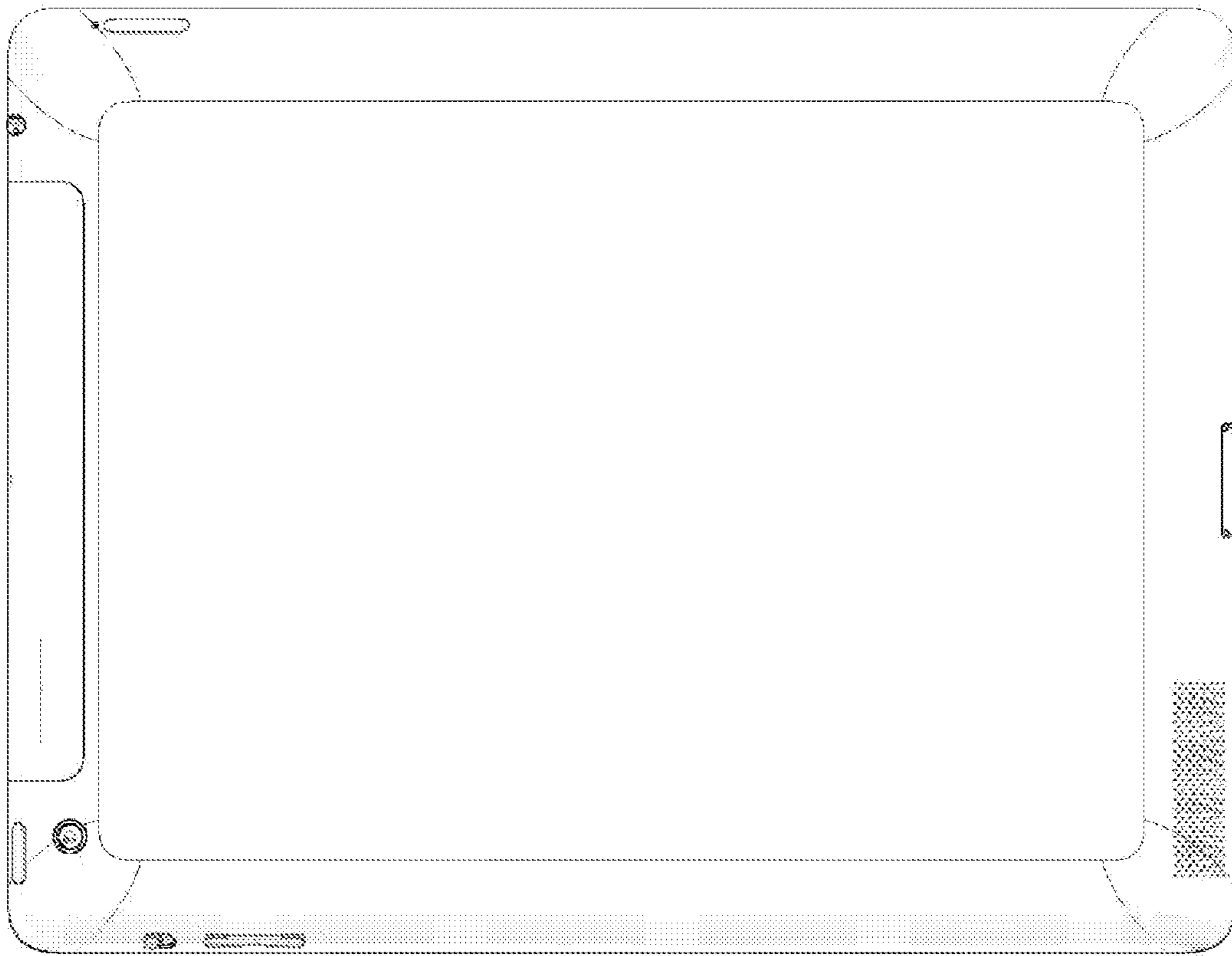


FIG. 3

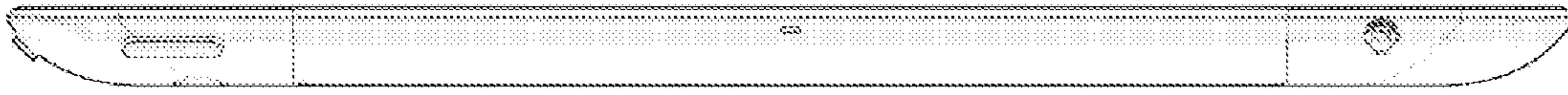


FIG. 4

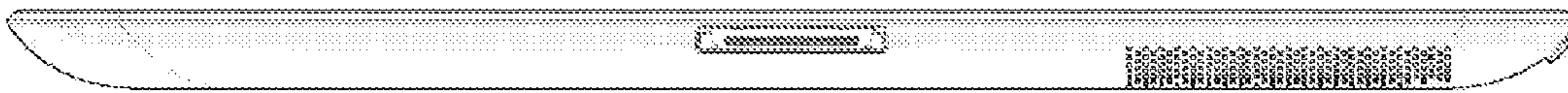


FIG. 5

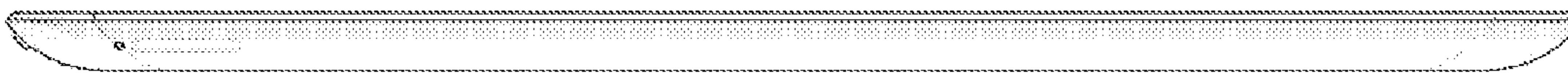


FIG. 6

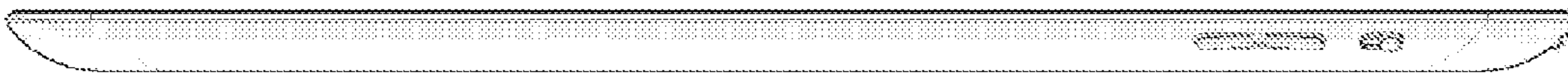


FIG. 7

UNITED STATES PATENT AND TRADEMARK OFFICE
CERTIFICATE OF CORRECTION

PATENT NO. : D694,755 S
APPLICATION NO. : 29/415041
DATED : December 3, 2013
INVENTOR(S) : Jody Akana

Page 1 of 1

It is certified that error appears in the above-identified patent and that said Letters Patent is hereby corrected as shown below:

On the Title Page, item (54) and in the Specification, col. 1, line 1, please change the title from
“Component for a Portable Display Device” to --Housing for a Portable Display Device--.

Signed and Sealed this
Eighteenth Day of March, 2014



Michelle K. Lee
Deputy Director of the United States Patent and Trademark Office