

US00D694754S

(12) **United States Design Patent**  
**Nakada**

(10) **Patent No.:** **US D694,754 S**  
(45) **Date of Patent:** **\*\* Dec. 3, 2013**

(54) **PANEL SHAPED DATA DISPLAY**  
(71) Applicant: **Bunji Nakada**, Kanagawa (JP)  
(72) Inventor: **Bunji Nakada**, Kanagawa (JP)  
(\*\*) Term: **14 Years**  
(21) Appl. No.: **29/435,329**  
(22) Filed: **Oct. 23, 2012**

2005/0264540 A1\* 12/2005 Niwa ..... 345/173  
2006/0109259 A1\* 5/2006 Ohta ..... 345/173  
2006/0126284 A1\* 6/2006 Moscovitch ..... 361/681  
2010/0157518 A1\* 6/2010 Ladouceur et al. .... 361/679.09

\* cited by examiner

*Primary Examiner* — Freda S Nunn  
(74) *Attorney, Agent, or Firm* — Nixon & Vanderhye, P.C.

(57) **CLAIM**  
The ornamental design for “panel shaped data display,” as shown and described.

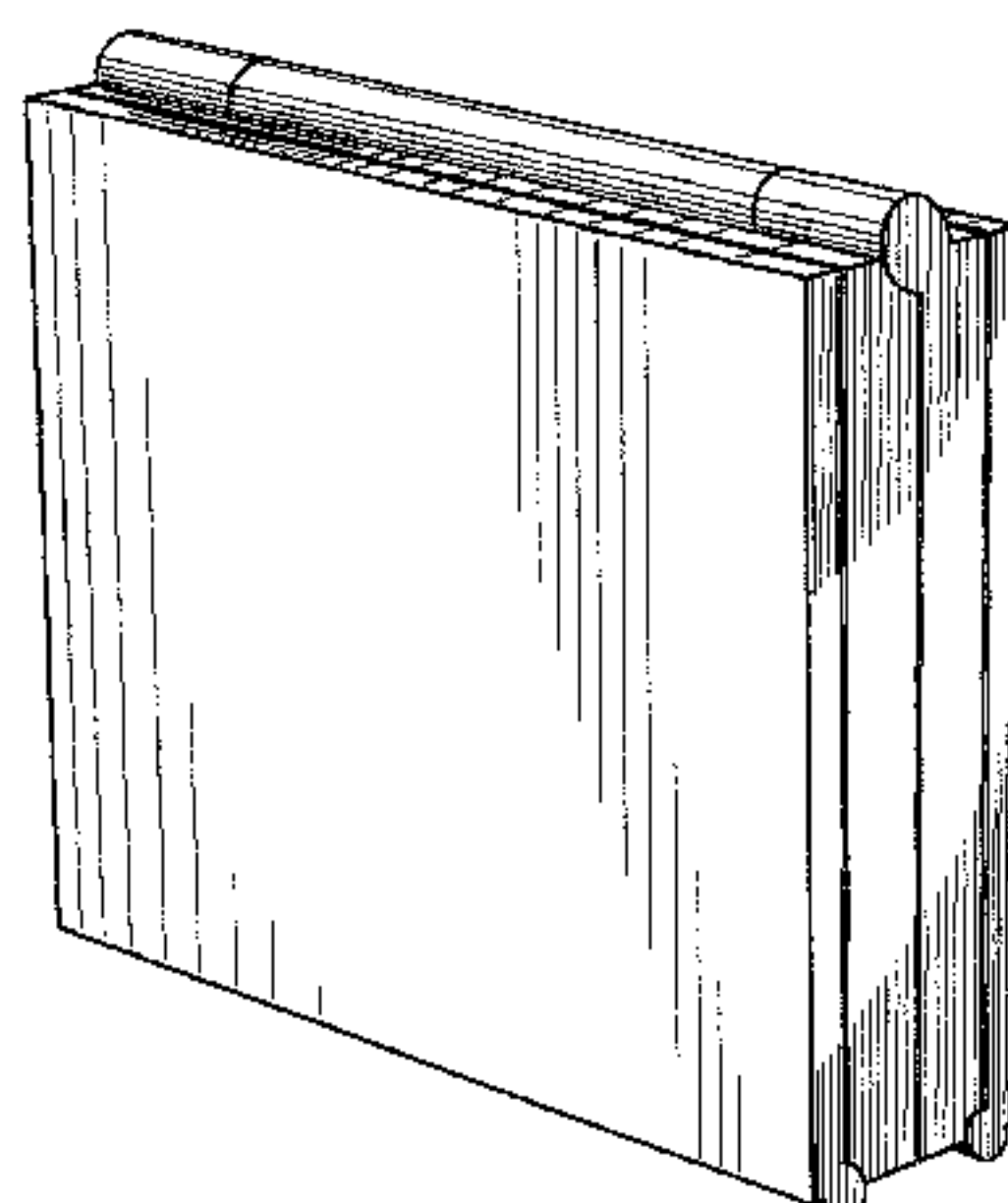
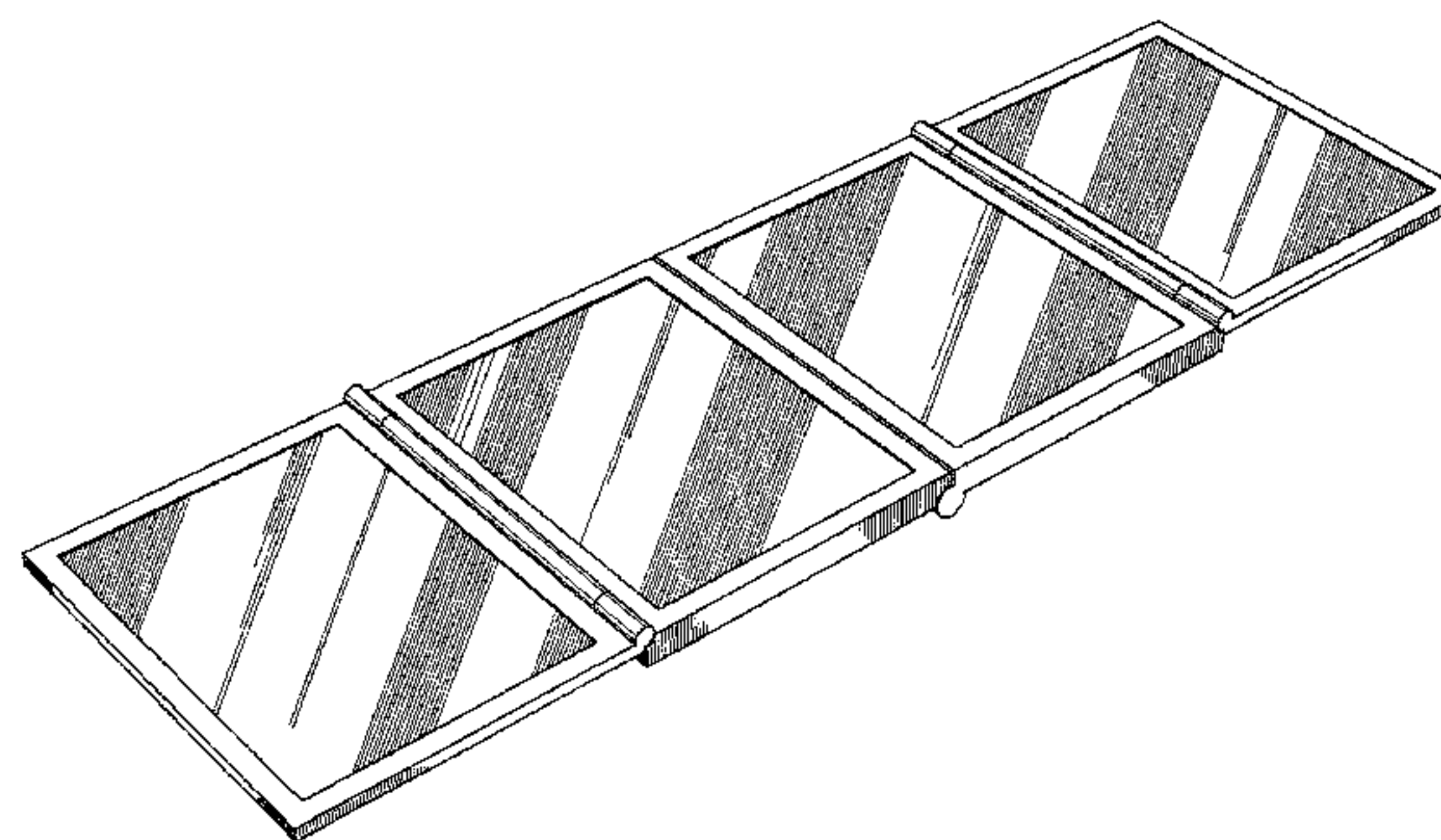
(30) **Foreign Application Priority Data**  
May 1, 2012 (JP) ..... 2012-11850  
(51) **LOC (9) Cl.** ..... **14-02**  
(52) **U.S. Cl.**  
USPC ..... **D14/373**  
(58) **Field of Classification Search**  
USPC ..... D14/371–375, 125–129, 336, 337, 341;  
341/12; 345/104, 156, 168, 173;  
348/180, 184, 325, 739; 349/1, 2, 11,  
349/62; 361/679.04, 679.05–679.09,  
361/679.21; D6/300, 308  
See application file for complete search history.

**DESCRIPTION**

FIG. 1 is a perspective view of a panel shaped data display in an open position in accordance with my new design; FIG. 2 is a front elevation view thereof; FIG. 3 is a rear elevation view thereof; FIG. 4 is left-side elevation view, the right-side elevation view being identical thereto; FIG. 5 is a top plan view thereof; FIG. 6 is a bottom plan view thereof; FIG. 7 is a perspective view of the panel shaped data display in a closed position; FIG. 8 is a front elevation view thereof; FIG. 9 is a rear elevation view thereof; FIG. 10 is left-side elevation view, the right-side view elevation being identical thereto; FIG. 11 is a top plan view thereof; and, FIG. 12 is a bottom plan view thereof. The subject matter shown in dashed lines is for reference purposes only, and forms no part of the claimed invention.

(56) **References Cited**  
U.S. PATENT DOCUMENTS  
5,818,690 A \* 10/1998 Spencer ..... 361/679.09  
6,667,878 B2 \* 12/2003 Ponx ..... 361/679.04  
D618,683 S \* 6/2010 Wilson et al. .... D14/371  
D650,781 S \* 12/2011 Rashid et al. .... D14/341  
2004/0212602 A1 \* 10/2004 Nako et al. .... 345/173

**1 Claim, 5 Drawing Sheets**



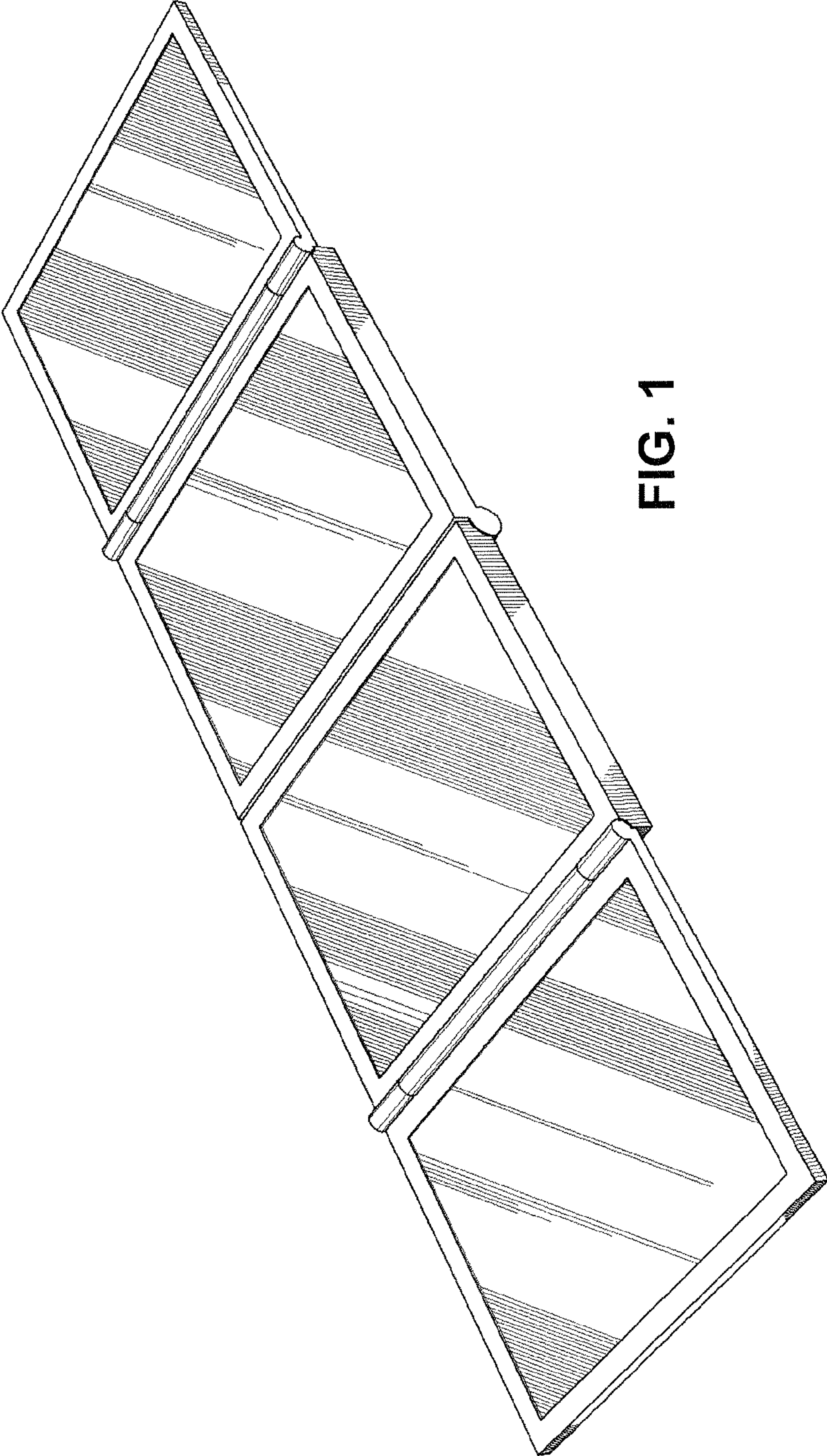


FIG. 1

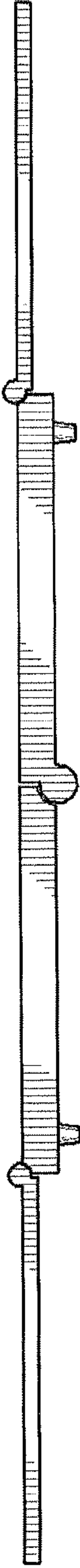


FIG. 2

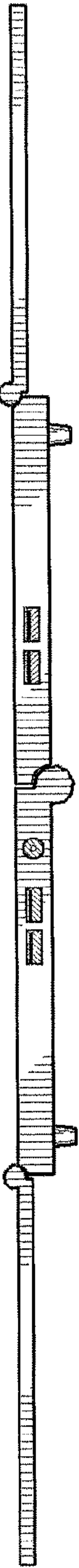


FIG. 3



FIG. 4



FIG. 5

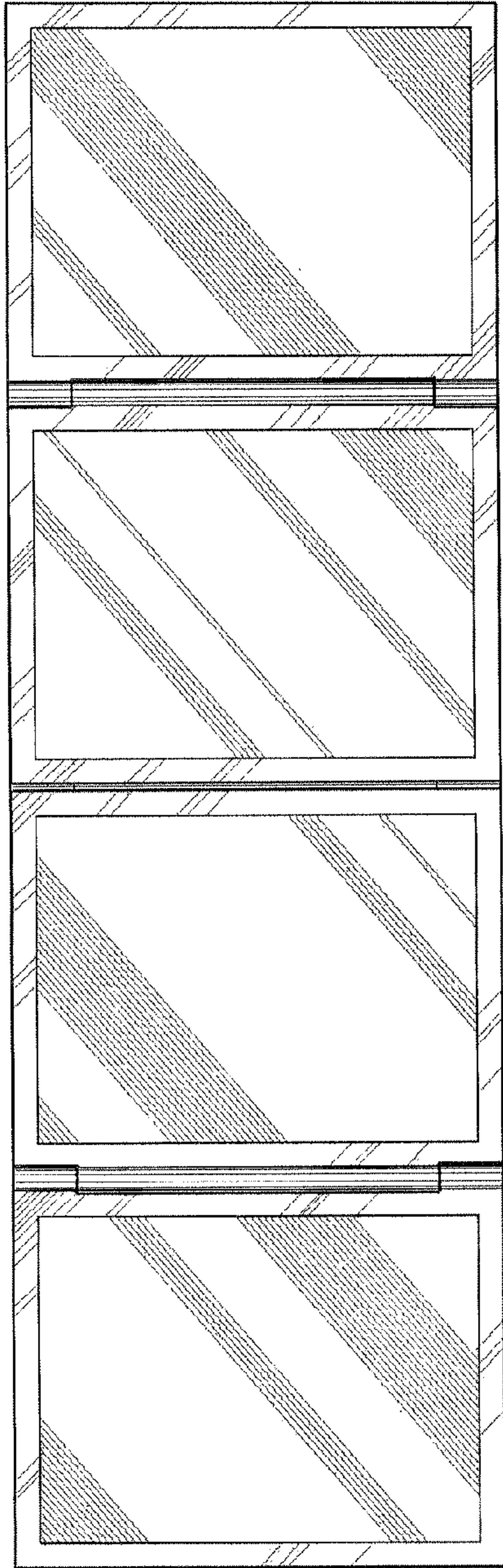
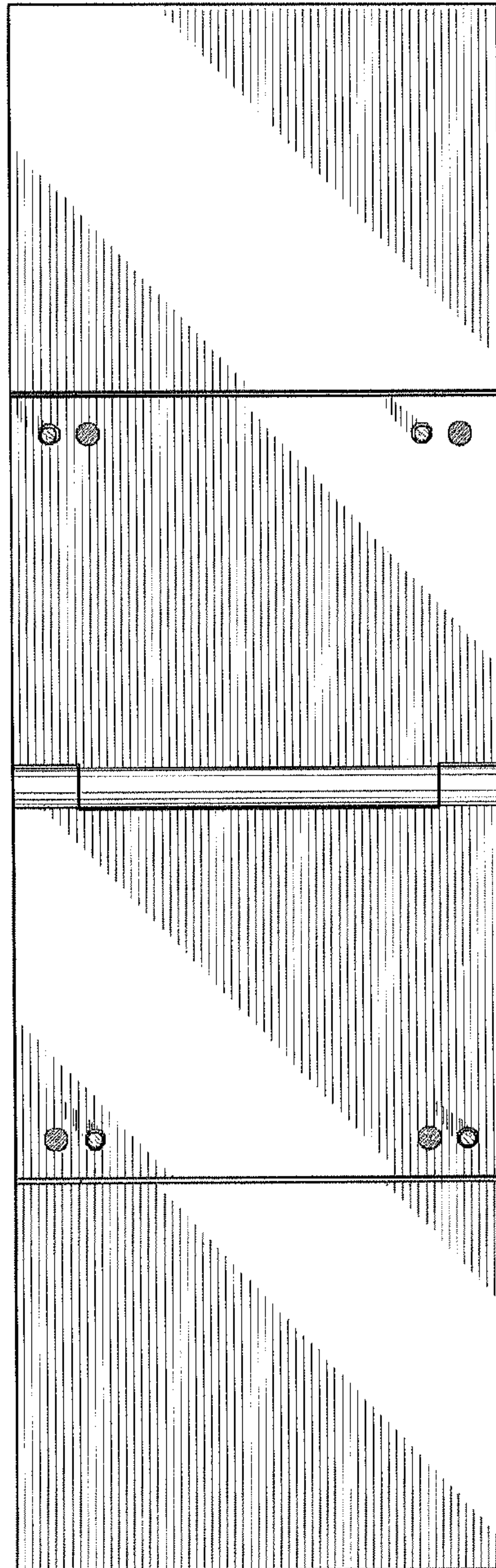


FIG. 6



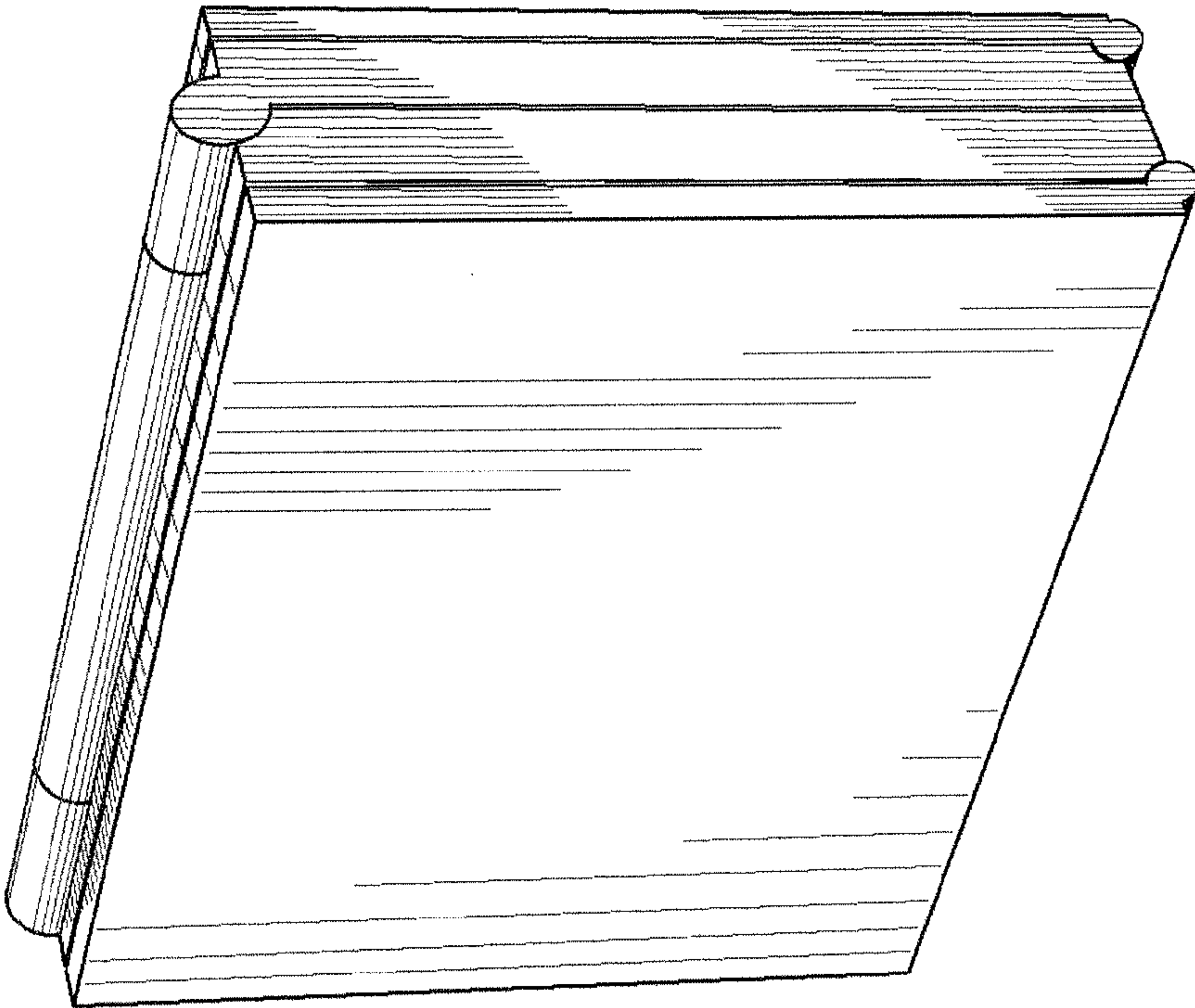


FIG. 7

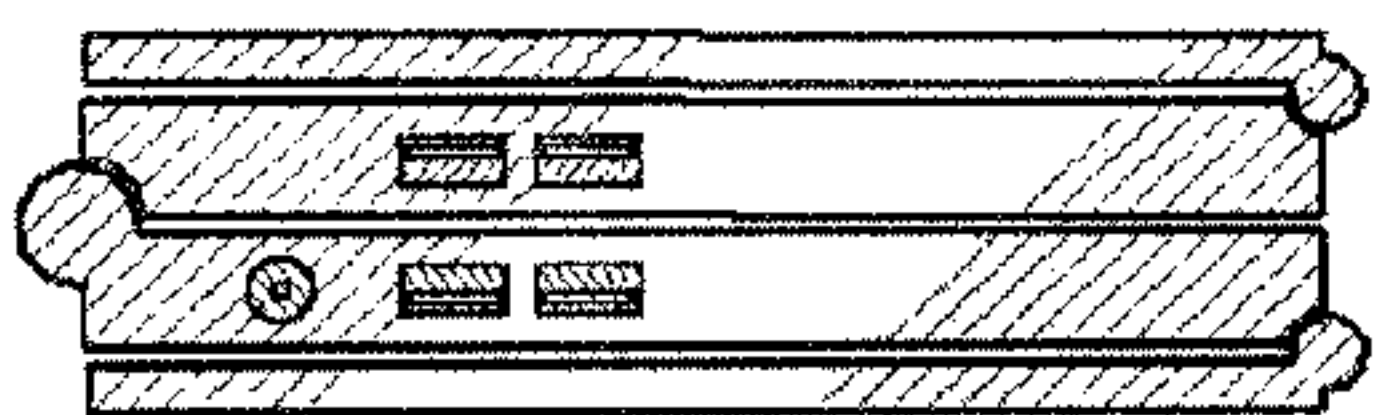


FIG. 8

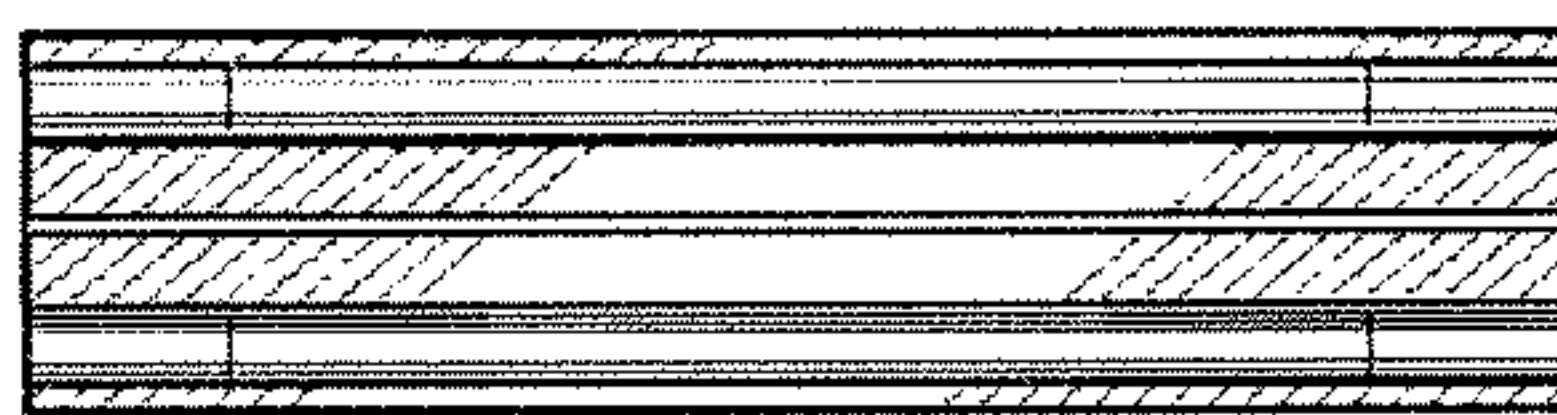


FIG. 9

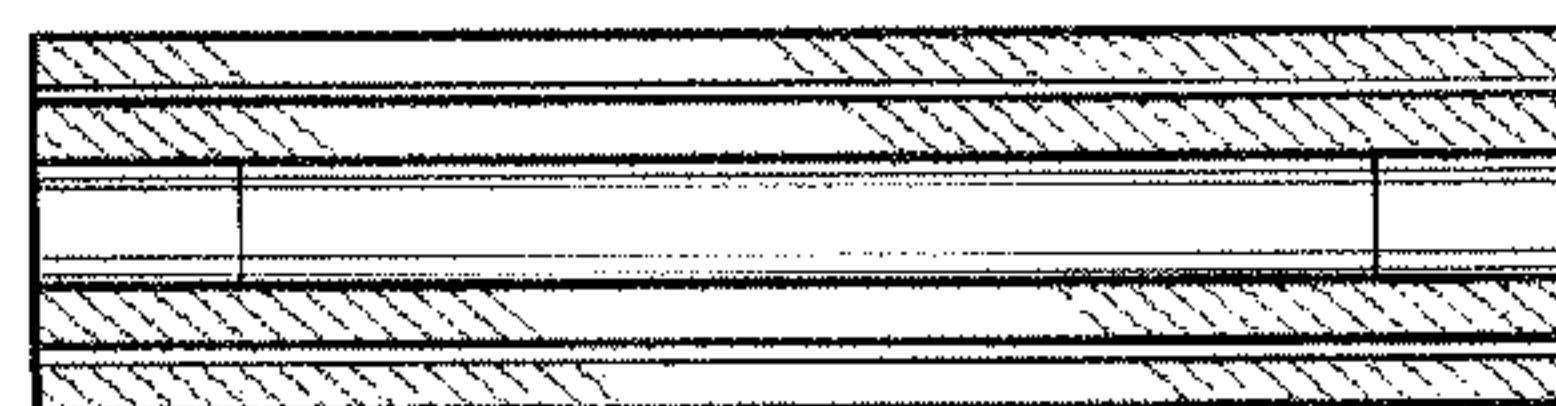


FIG. 10

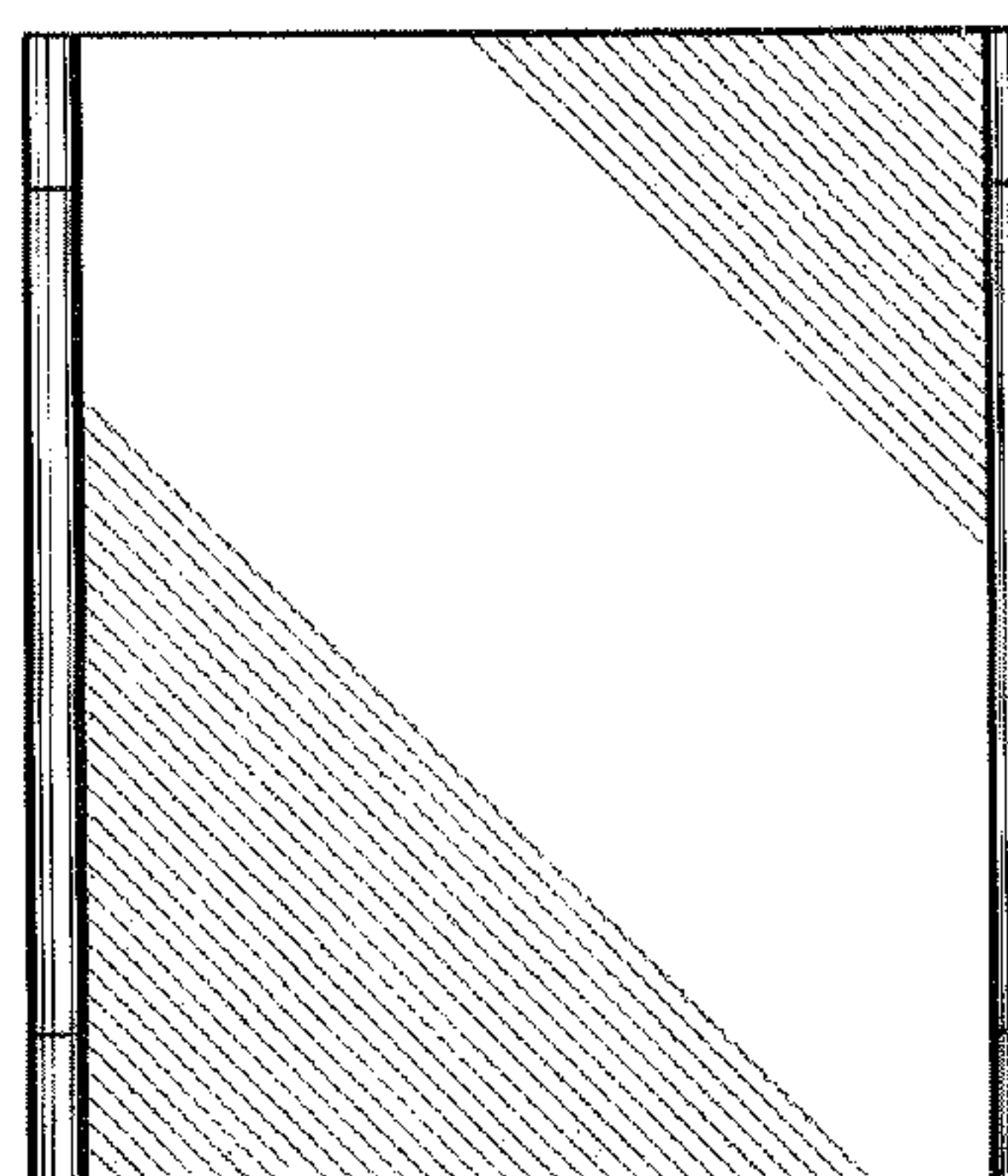


FIG. 11

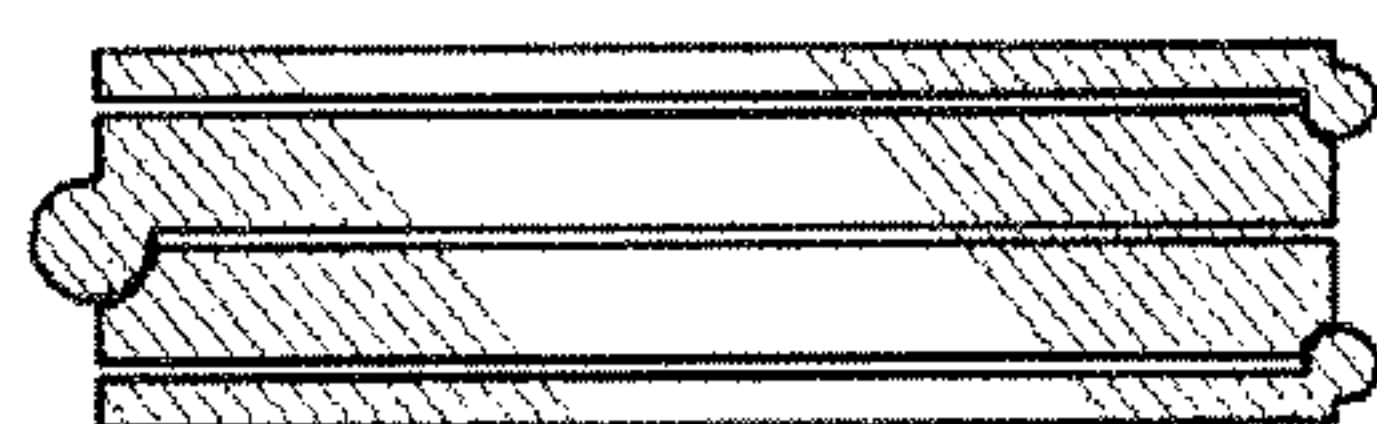


FIG. 12