



US00D694752S

(12) **United States Design Patent**
Li

(10) **Patent No.:** **US D694,752 S**

(45) **Date of Patent:** **** Dec. 3, 2013**

(54) **TABLET COMPUTER**

Primary Examiner — Barbara Fox

(75) Inventor: **Chun-Hsing Li**, Taipei (TW)

(73) Assignee: **Getac Technology Corporation**,
Hsinchu (TW)

(57) **CLAIM**

The ornamental design for a tablet computer, as shown and described.

(**) Term: **14 Years**

(21) Appl. No.: **29/428,743**

DESCRIPTION

(22) Filed: **Aug. 2, 2012**

(51) **LOC (9) Cl.** **14-02**

(52) **U.S. Cl.**
USPC **D14/341**

(58) **Field of Classification Search**
USPC D14/341–347, 137, 138 AA, 138 R,
D14/138 C, 138 G, 496, 203.1, 203.3, 203.7,
D14/426, 129, 130, 420, 147, 218, 247–248,
D14/389, 388, 315–318; D10/65, 104.1;
D18/6–7; D21/324, 329, 330;
455/556.1, 556.2, 566, 575.1, 90.3;
379/433.04, 433.01, 433.06, 916;
345/173, 901, 905; 361/679.26,
361/679.27, 679.3, 679.55, 679.56,
361/680–686; 248/917–924; 348/373, 376;
D19/60

See application file for complete search history.

FIG. 1 is a front perspective view of a tablet computer showing my new design in a first embodiment;
FIG. 2 is a rear perspective view of the first embodiment of my new design;
FIG. 3 is a front view of the first embodiment of my new design;
FIG. 4 is a rear view of the first embodiment of my new design;
FIG. 5 is a left side view of the first embodiment of my new design;
FIG. 6 is a right side view of the first embodiment of my new design;
FIG. 7 is a top view of the first embodiment of my new design;
FIG. 8 is a bottom view of the first embodiment of my new design;
FIG. 9 is a front perspective view of the tablet computer in a second embodiment;
FIG. 10 is a rear perspective view of the second embodiment of my new design;
FIG. 11 is a front view of the second embodiment of my new design;
FIG. 12 is a rear view of the second embodiment of my new design;
FIG. 13 is a left side view of the second embodiment of my new design;
FIG. 14 is a right side view of the second embodiment of my new design;
FIG. 15 is a top view of the second embodiment of my new design; and,
FIG. 16 is a bottom view of the second embodiment of my new design.

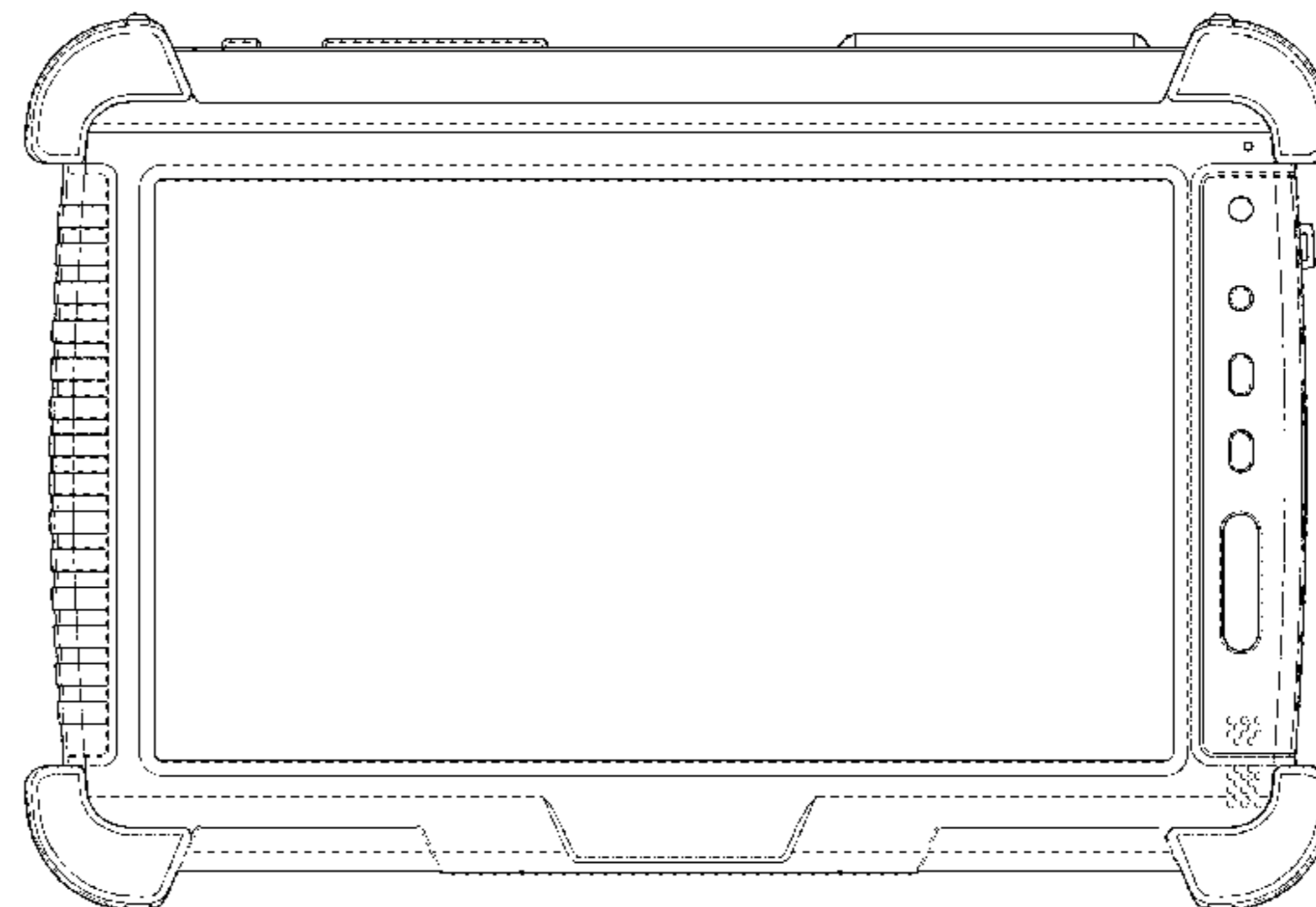
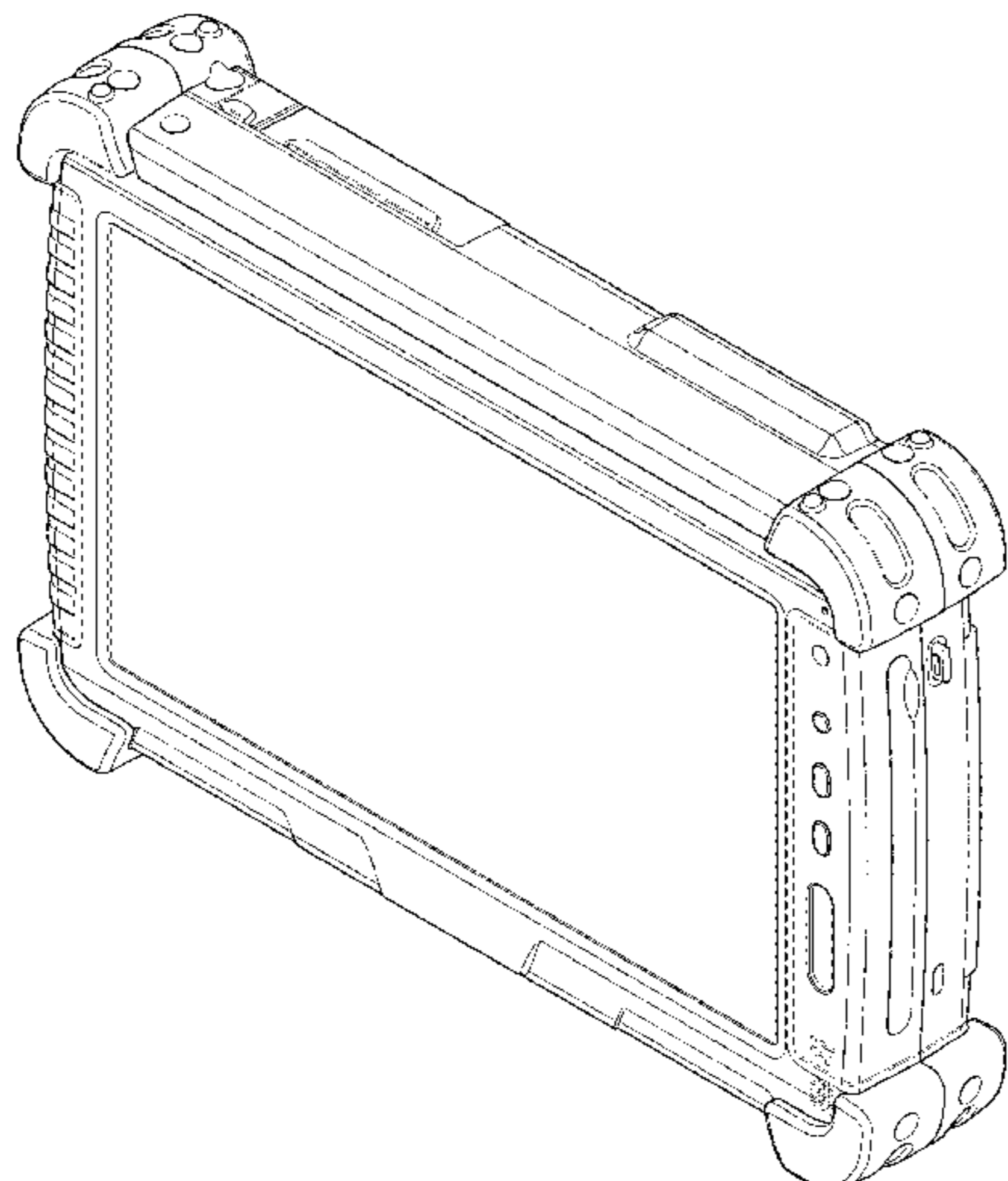
(56) **References Cited**

U.S. PATENT DOCUMENTS

D363,468 S *	10/1995	Mieki et al.	D14/342
D377,929 S *	2/1997	Sekino et al.	D14/336
D451,505 S *	12/2001	Iseki et al.	D14/341
D460,759 S *	7/2002	West et al.	D14/374
D491,560 S *	6/2004	Hsu Li	D14/371
D505,676 S *	5/2005	Porter et al.	D14/388
D509,827 S *	9/2005	Johnson	D14/374
D563,806 S *	3/2008	Jeon	D10/65
D624,542 S *	9/2010	Tang	D14/371
D627,780 S *	11/2010	Kuroda	D14/346
D628,570 S *	12/2010	Li	D14/341
D634,743 S *	3/2011	Kang et al.	D14/341
D654,499 S *	2/2012	Wesolek	D14/346

* cited by examiner

1 Claim, 12 Drawing Sheets



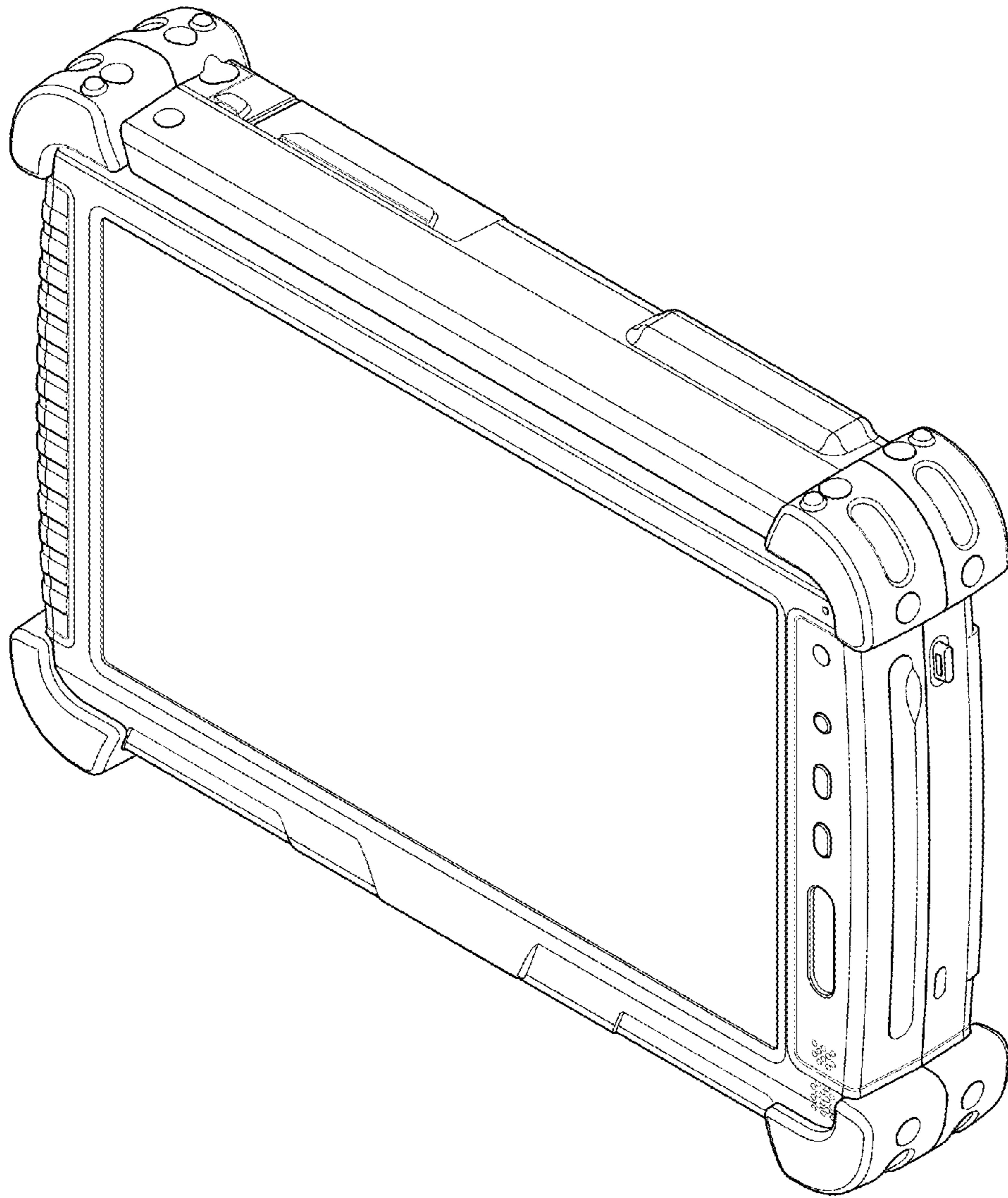


FIG.1

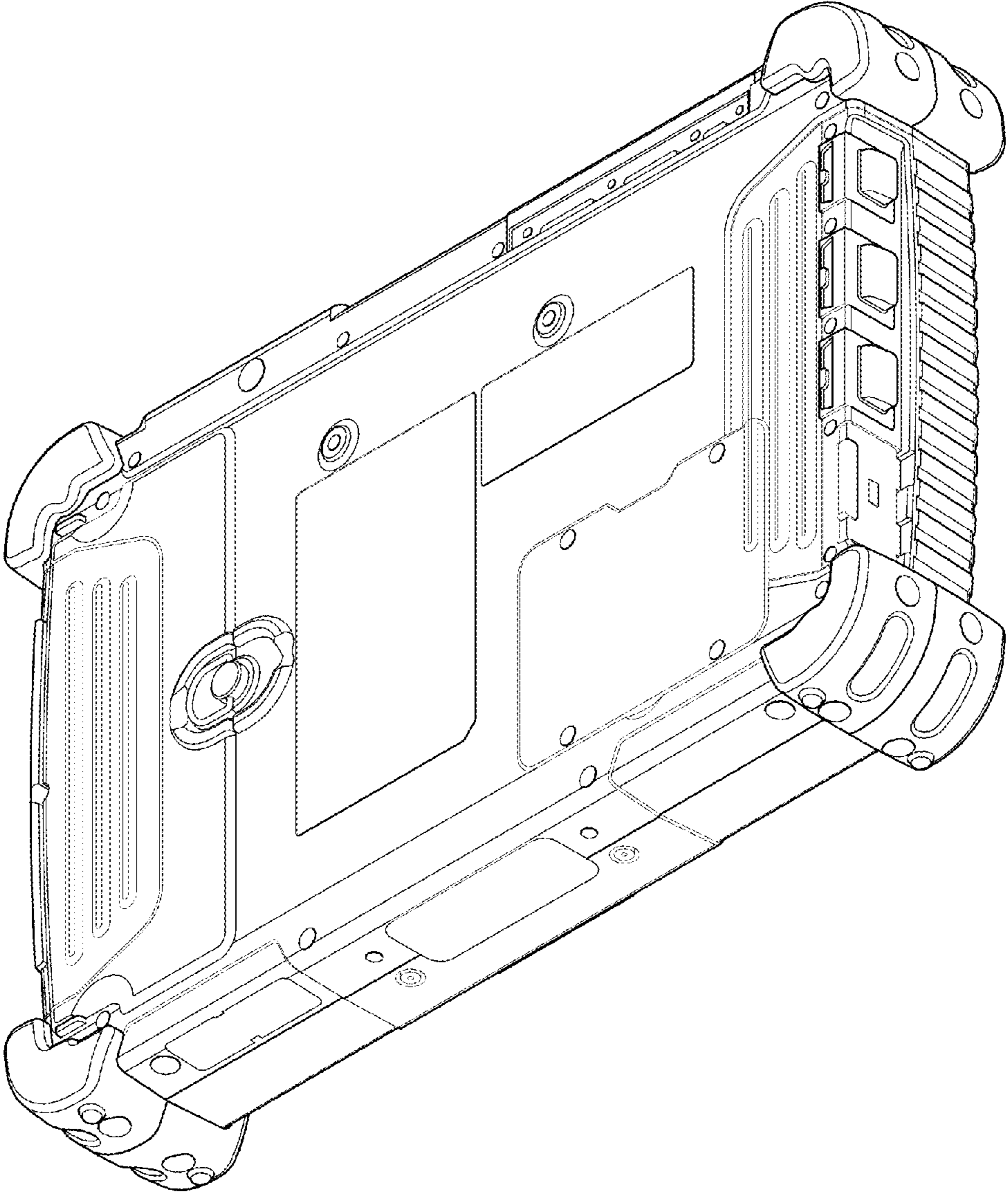


FIG.2

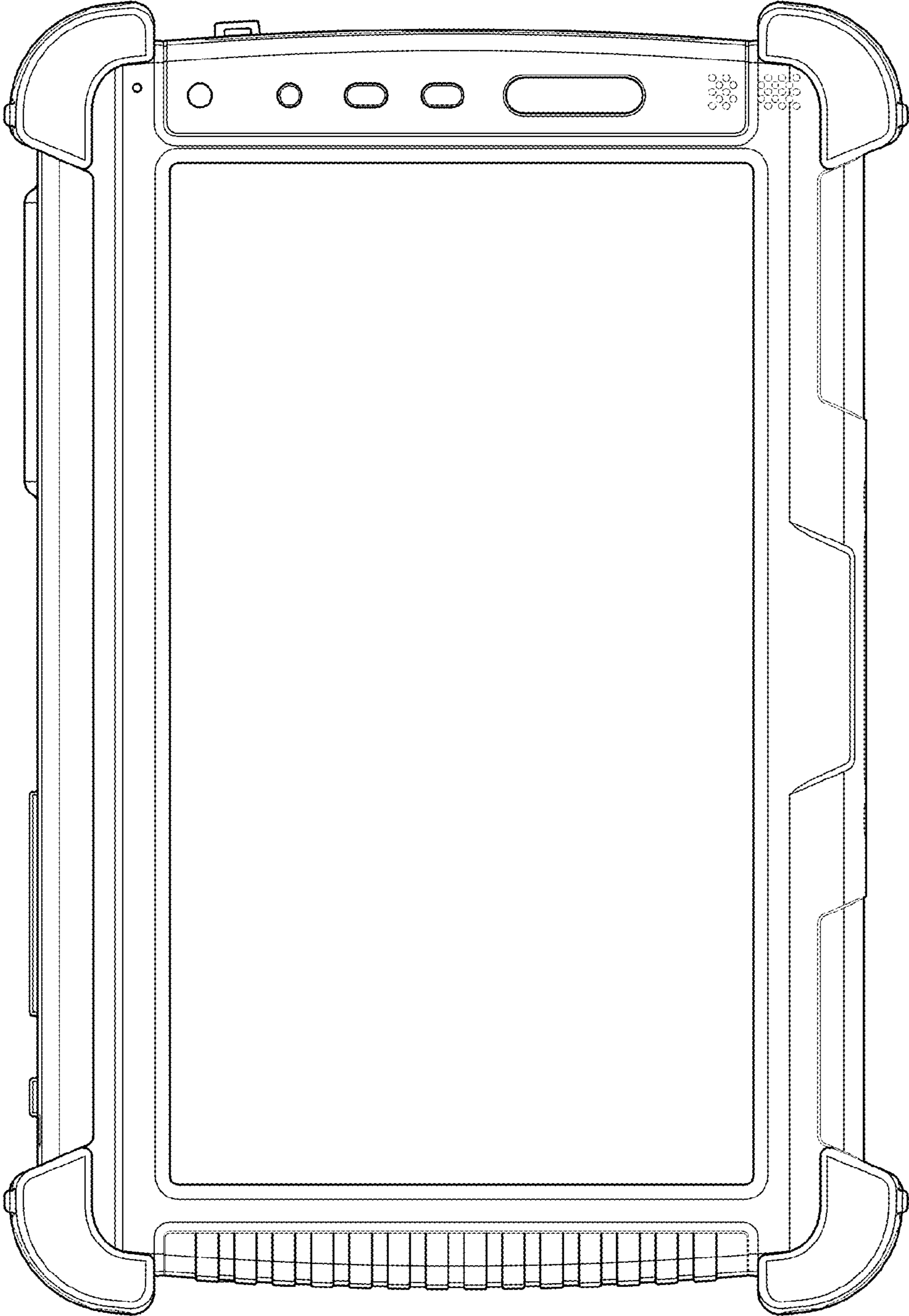


FIG.3

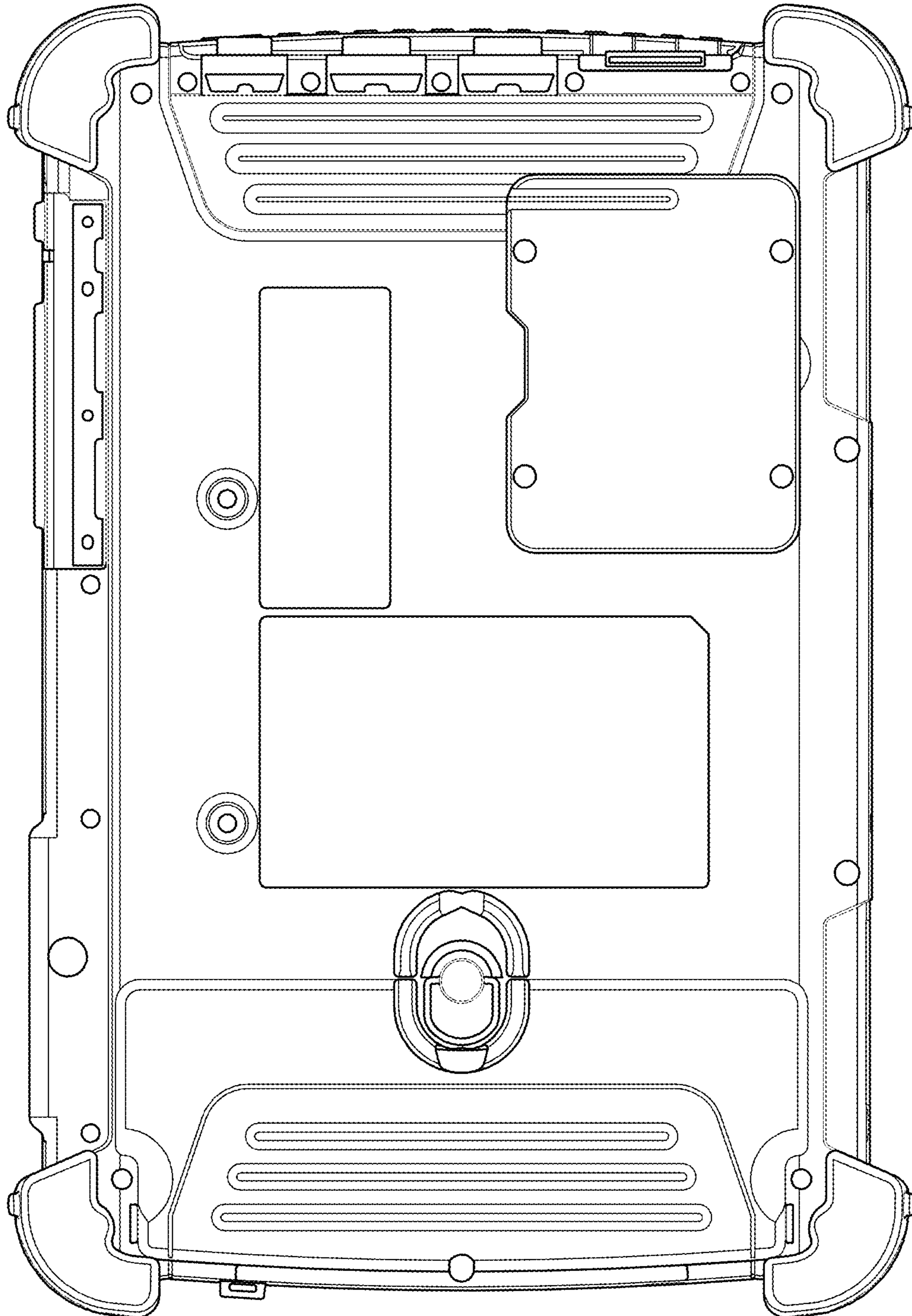


FIG.4

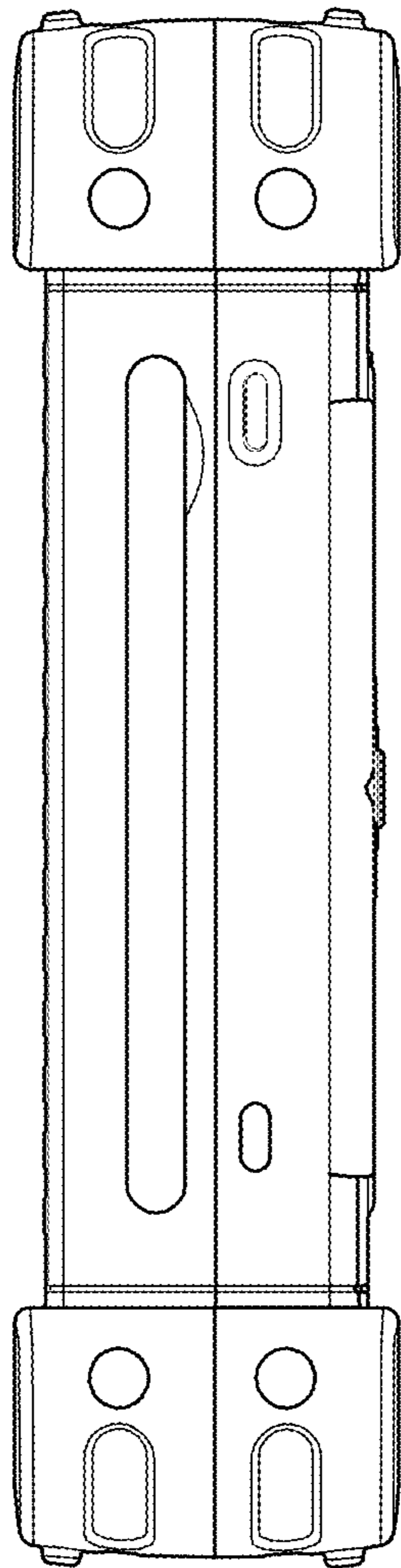


FIG. 5

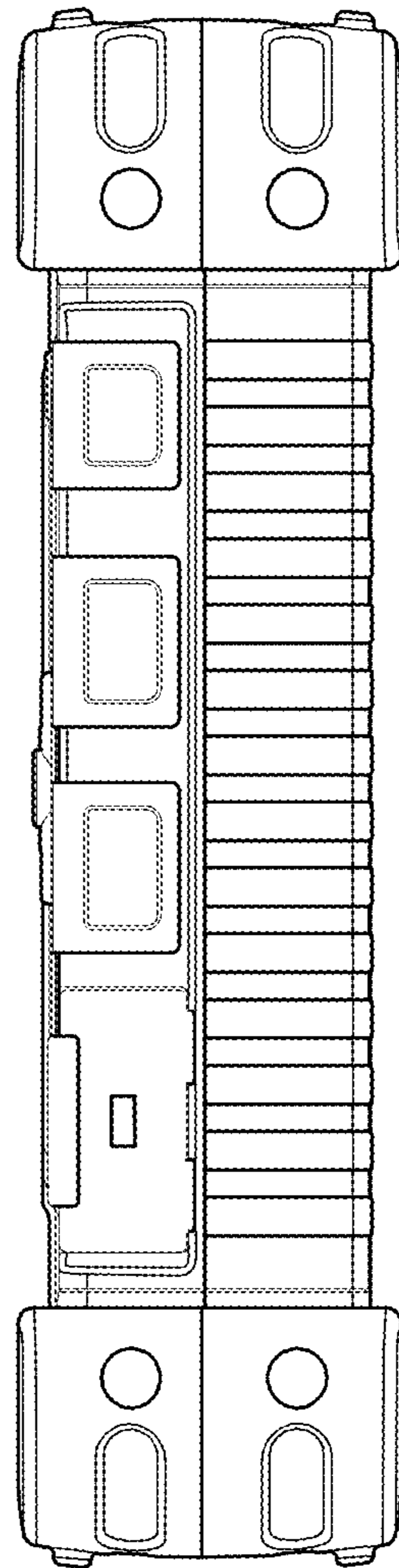


FIG. 6

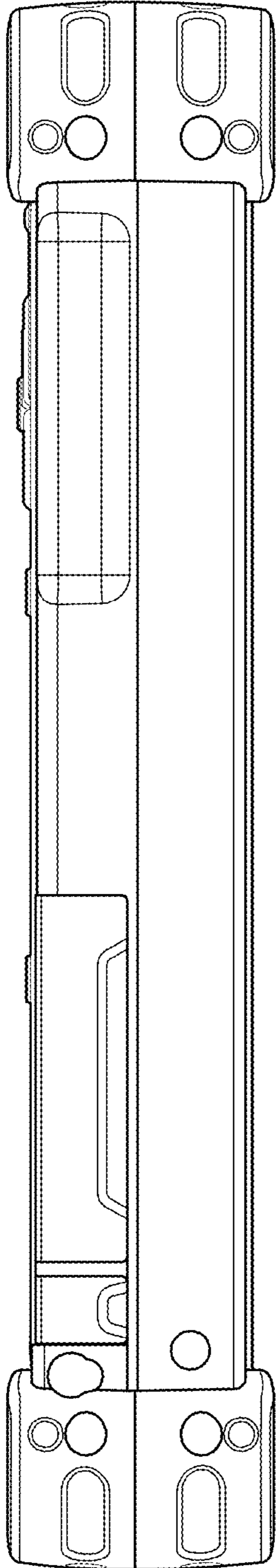


FIG. 7

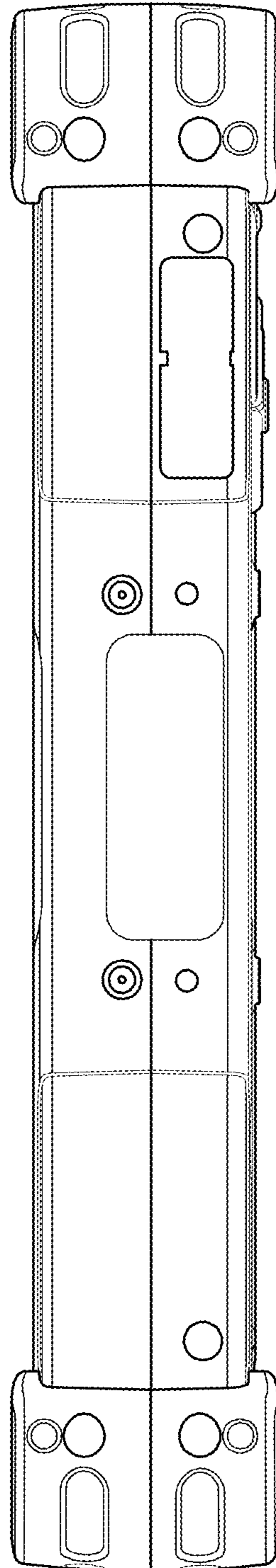


FIG. 8

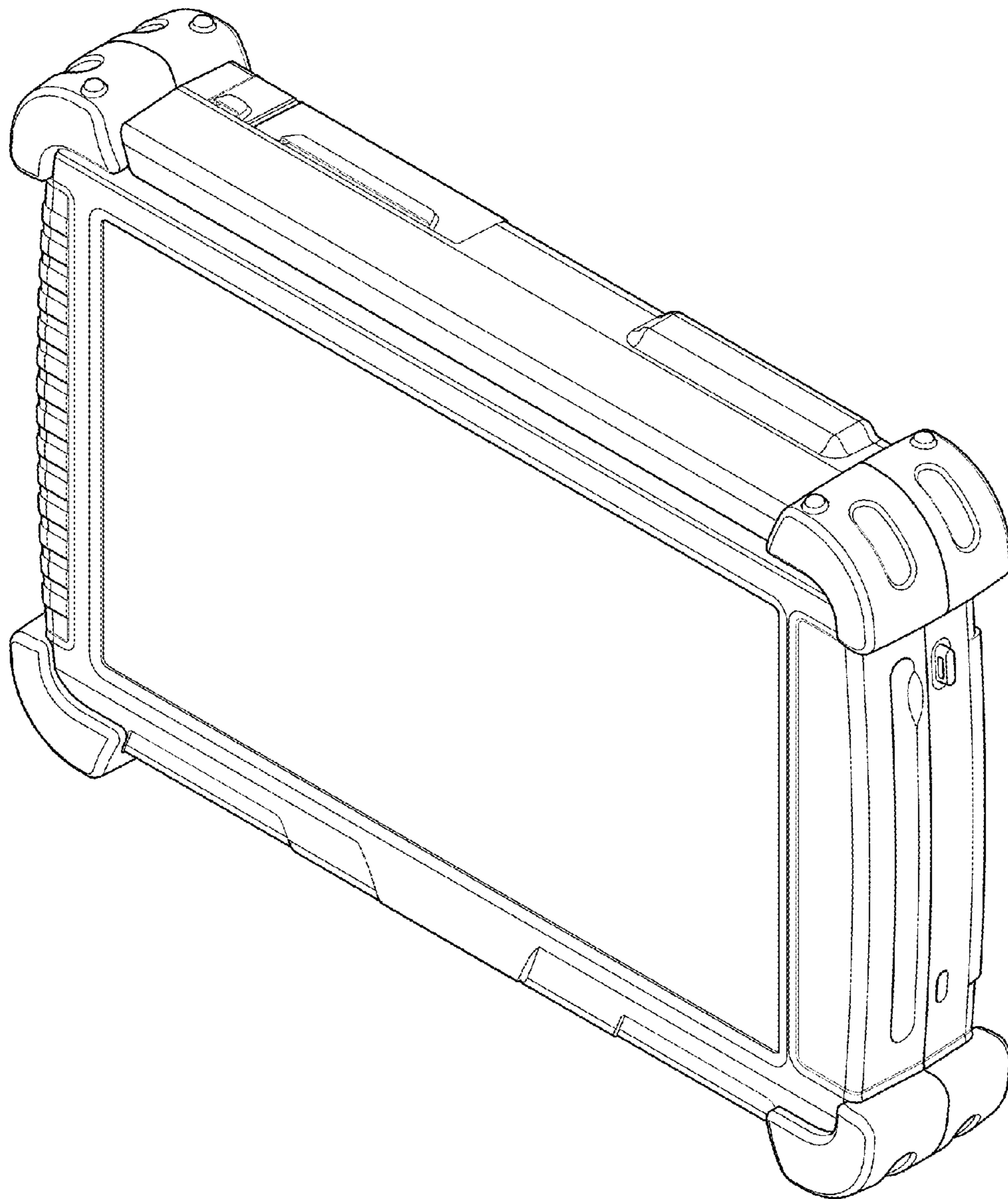


FIG.9

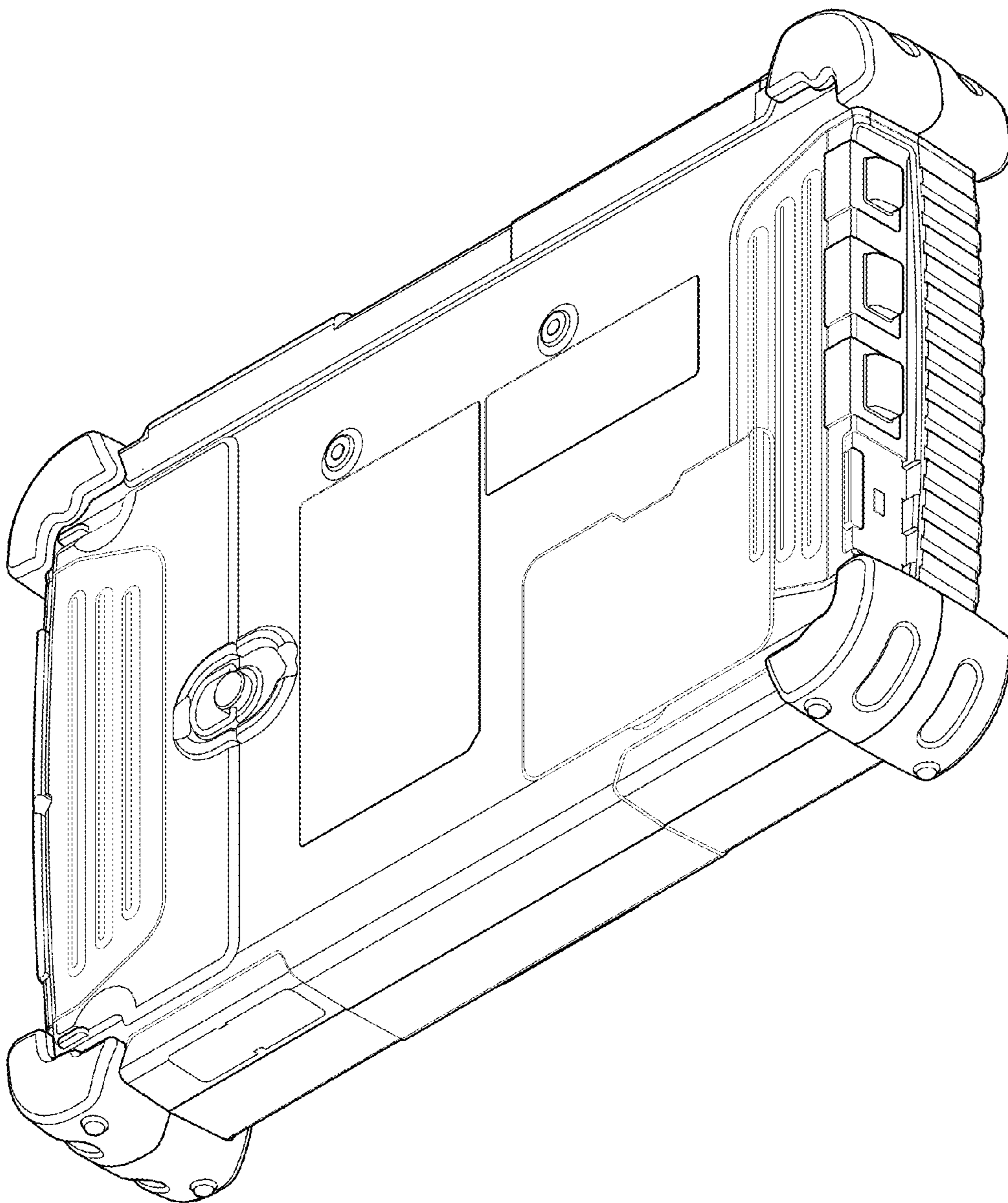


FIG.10

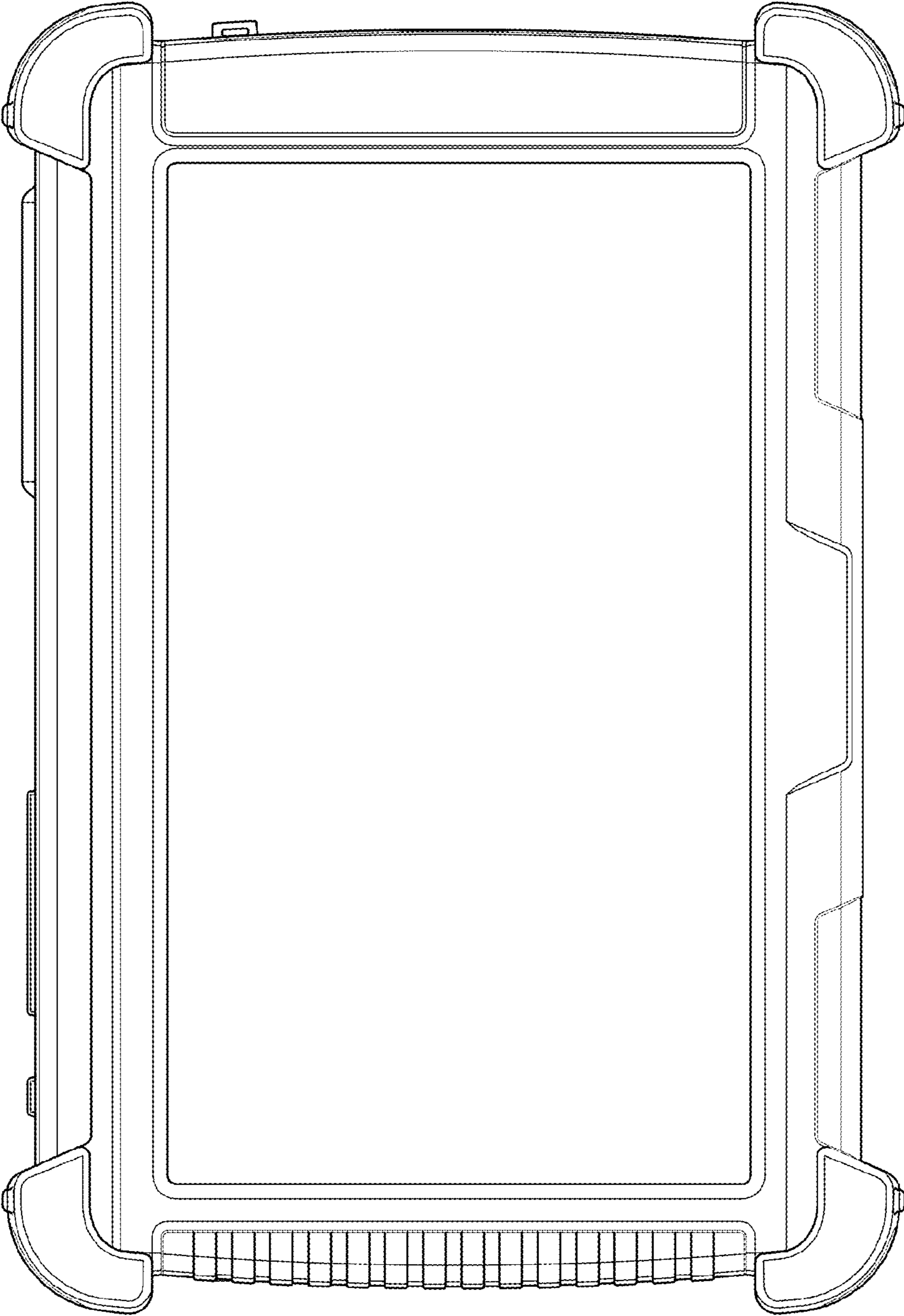


FIG.11

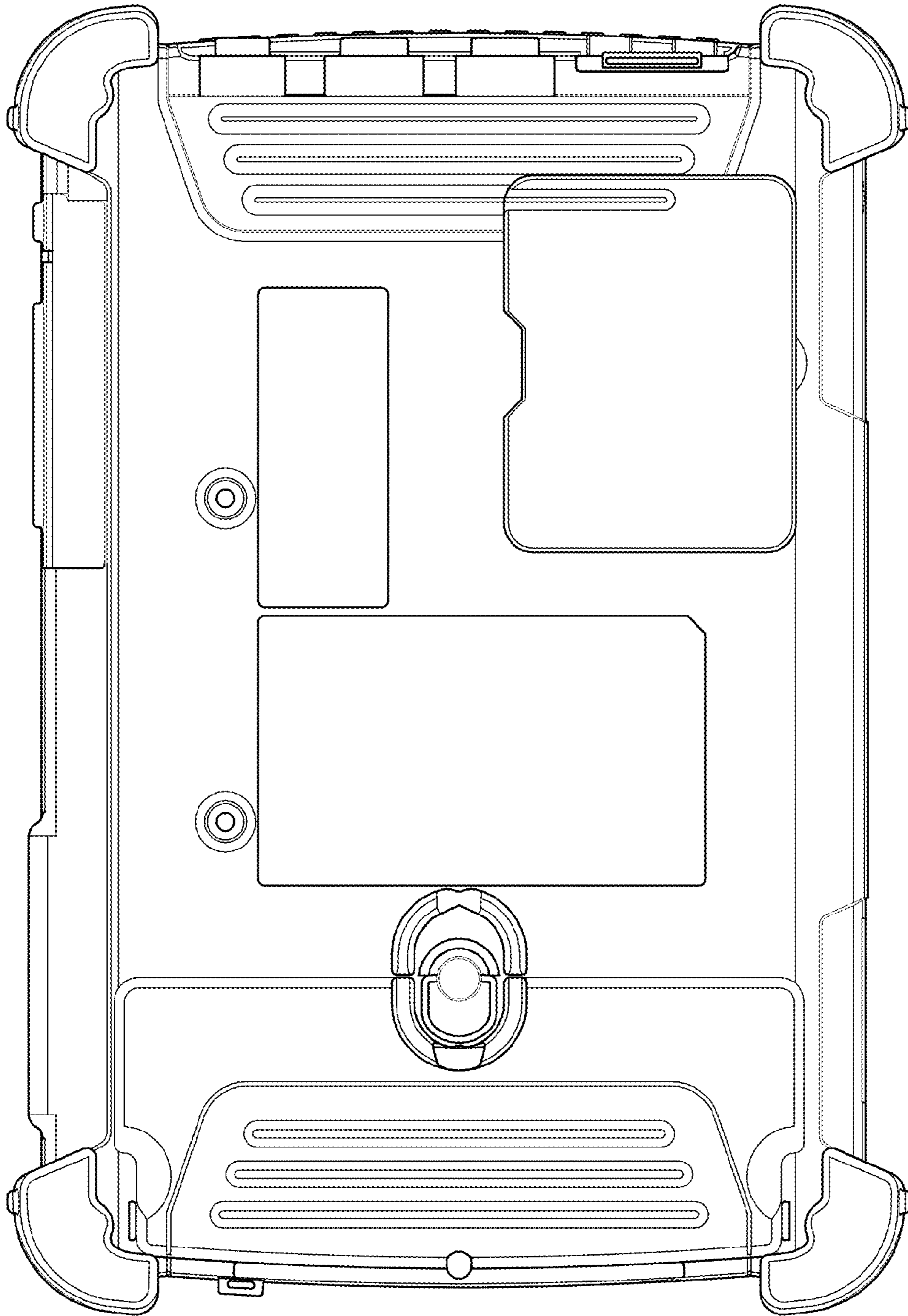


FIG.12

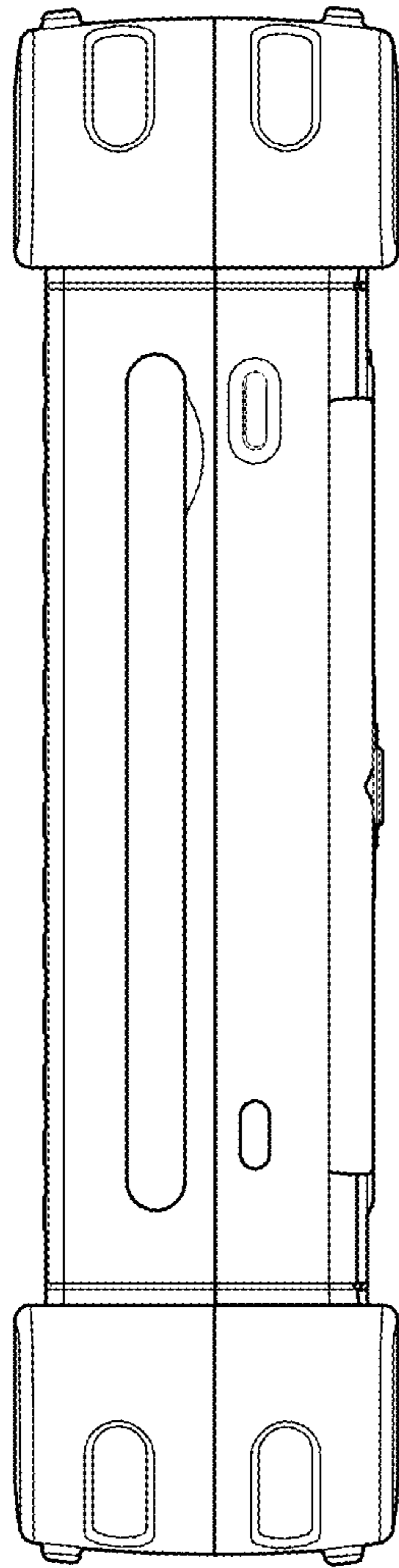


FIG. 13

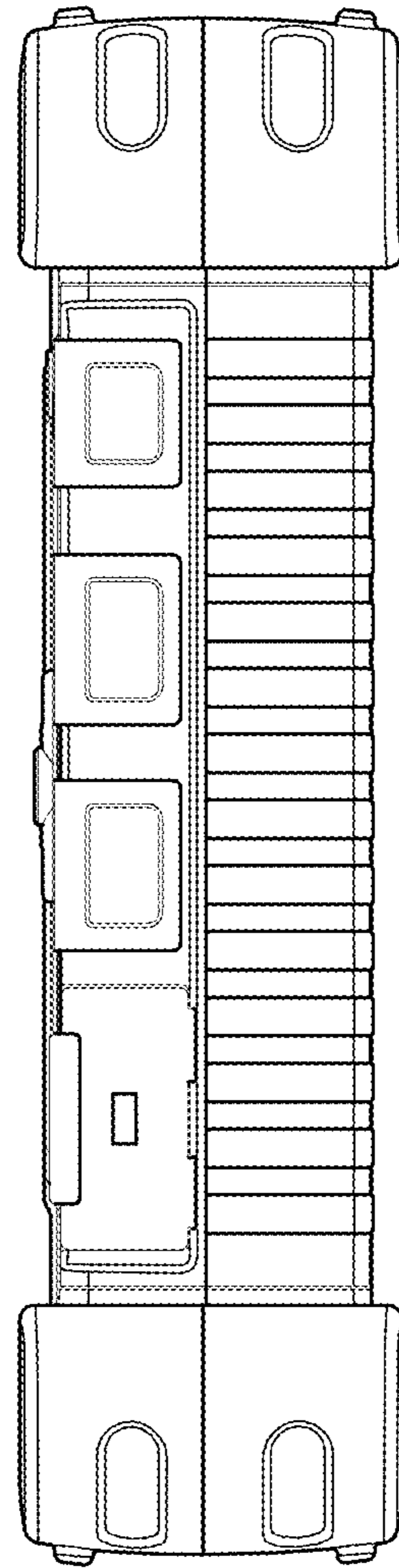


FIG. 14

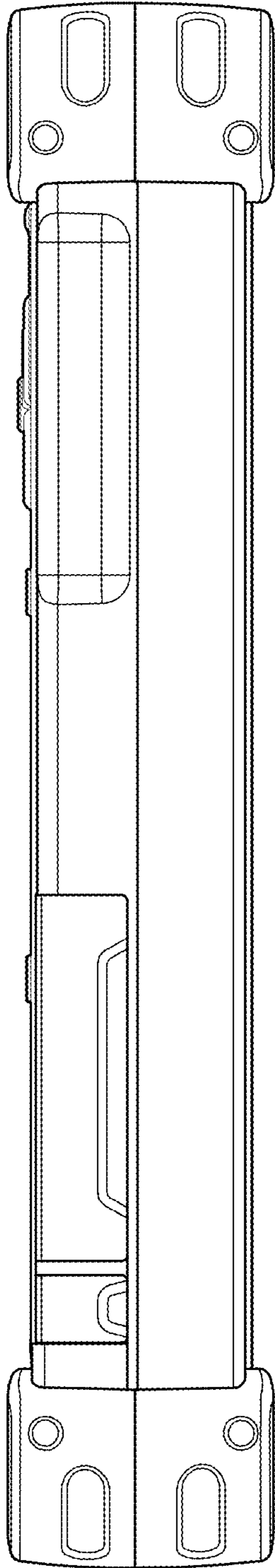


FIG. 15

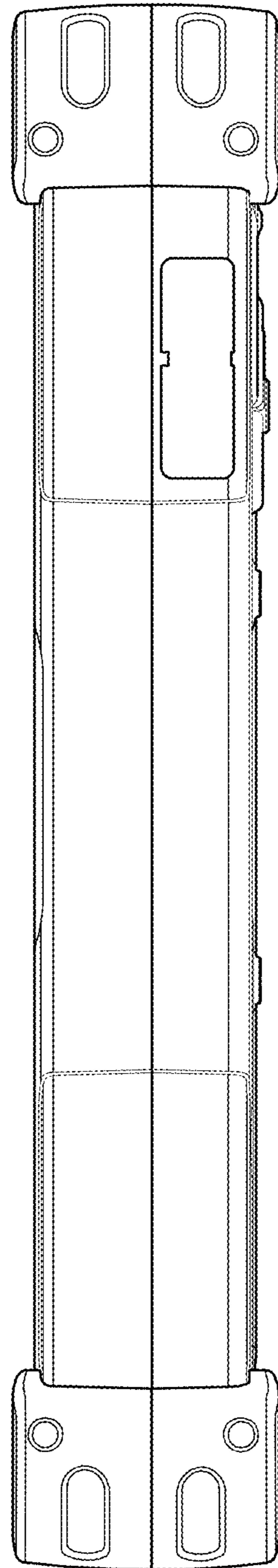


FIG. 16