



US00D694751S

(12) **United States Design Patent**
Ju

(10) **Patent No.:** **US D694,751 S**
(45) **Date of Patent:** **** Dec. 3, 2013**

(54) **MOBILE COMPUTER**

Primary Examiner — Barbara Fox

(75) Inventor: **Shuan-Yeong Ju**, Taipei (TW)

(57) **CLAIM**

(73) Assignee: **Getac Technology Corporation**,
Hsinchu (TW)

The ornamental design for a mobile computer, as shown and described.

(**) Term: **14 Years**

DESCRIPTION

(21) Appl. No.: **29/423,858**

The patent or application file contains at least one drawing executed in color. Copies of this patent or patent application publication with color drawing(s) will be provided by the Office upon request and payment of the necessary fee.

(22) Filed: **Jun. 5, 2012**

(51) **LOC (9) Cl.** **14-02**

(52) **U.S. Cl.**

USPC **D14/341**

(58) **Field of Classification Search**

USPC D14/341–347, 137, 138 AA, 138 R,
D14/138 C, 138 G, 496, 203.1, 203.3, 203.7,
D14/426, 129, 130, 420, 147, 218, 247–248,
D14/389, 388, 315–318; D10/65, 104.1;
D18/6–7; D21/324, 329, 330;
455/556.1, 556.2, 566, 575.1, 90.3;
379/433.04, 433.01, 433.06, 916;
345/173, 901, 905; 361/679.26,
361/679.27, 679.3, 679.55, 679.56,
361/680–686; 248/917–924; 348/373, 376;
D19/60

See application file for complete search history.

FIG. 1 is a front perspective view of a mobile computer showing my new design in a first embodiment;
FIG. 2 is a rear perspective view thereof;
FIG. 3 is a front elevational view thereof;
FIG. 4 is a rear elevational view thereof;
FIG. 5 is a right side elevational view thereof;
FIG. 6 is a left side elevational view thereof;
FIG. 7 is a top plan view thereof;
FIG. 8 is a bottom plan view thereof;
FIG. 9 is a front perspective view of the mobile computer in a second embodiment;
FIG. 10 is a rear perspective view thereof;
FIG. 11 is a rear elevational view thereof;
FIG. 12 is a right side elevational view thereof;
FIG. 13 is a left side elevational view thereof;
FIG. 14 is a top plan view thereof, wherein all other views are the same as corresponding views in the first embodiment;
FIG. 15 is a rear perspective view of the mobile computer in a third embodiment;
FIG. 16 is a rear elevational view thereof, wherein all other views are the same as corresponding views in the first embodiment;
FIG. 17 is a rear perspective view of the mobile computer in a fourth embodiment;
FIG. 18 is a rear elevational view thereof;
FIG. 19 is a top plan view thereof;
FIG. 20 is a bottom plan view thereof, wherein all other views are the same as corresponding views in the first embodiment;
FIG. 21 is a rear perspective view of the mobile computer in a fifth embodiment;
FIG. 22 is a rear elevational view thereof;
FIG. 23 is a top plan view thereof;

(56) **References Cited**

U.S. PATENT DOCUMENTS

D361,552 S *	8/1995	Iino	D14/341
D407,388 S *	3/1999	Liao	D14/374
D485,265 S *	1/2004	Sato et al.	D14/341
D490,420 S *	5/2004	Solomon et al.	D14/341
D563,807 S *	3/2008	Jeon	D10/65
D574,739 S *	8/2008	Lee et al.	D10/65
D575,171 S *	8/2008	Miyawaki	D10/65
D628,199 S *	11/2010	Yukikado et al.	D14/374
D687,822 S *	8/2013	Growney et al.	D14/341
D687,825 S *	8/2013	Lee et al.	D14/341
D687,826 S *	8/2013	Jeon et al.	D14/341
D688,240 S *	8/2013	Wesolek	D14/341

* cited by examiner

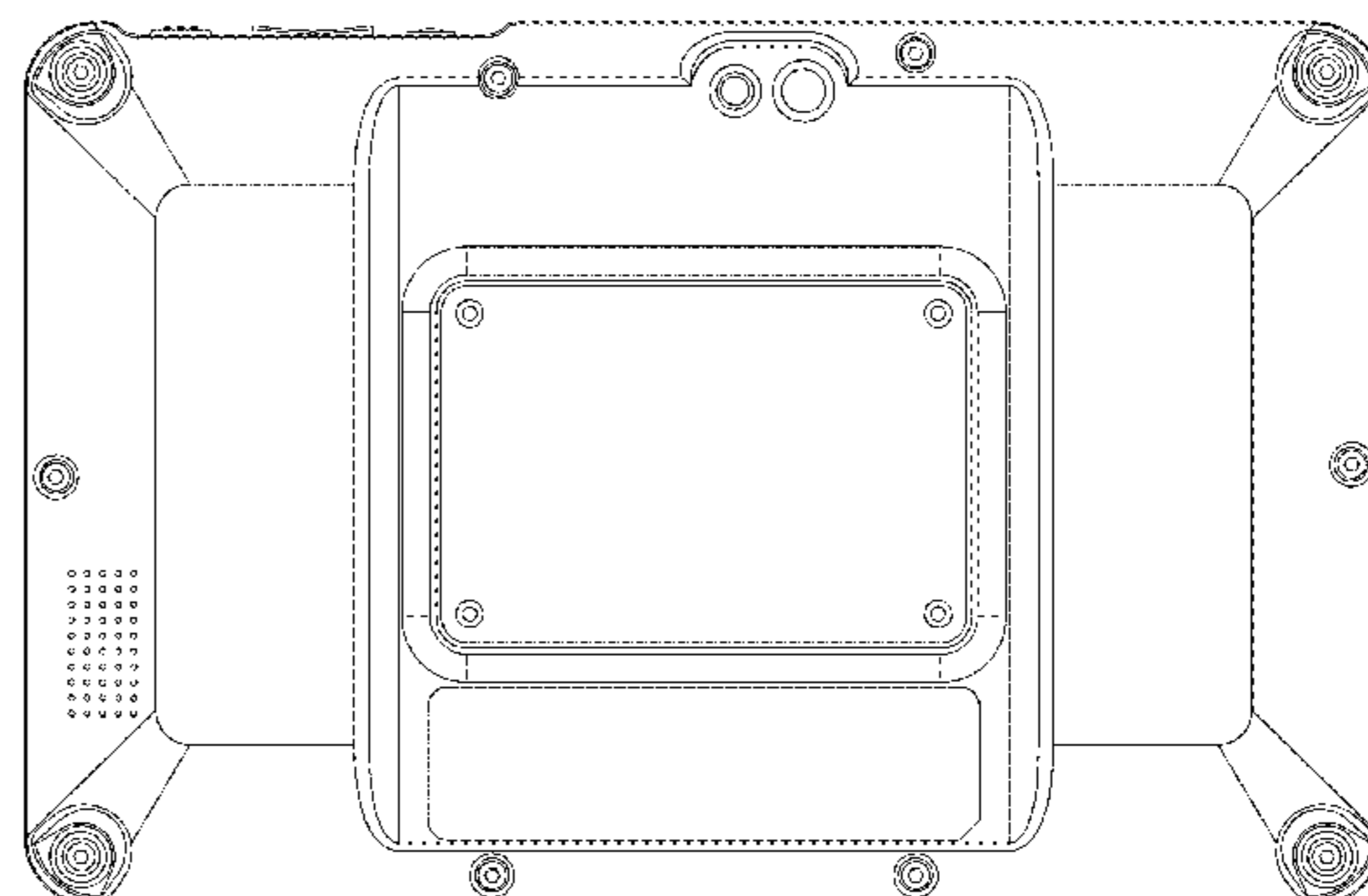
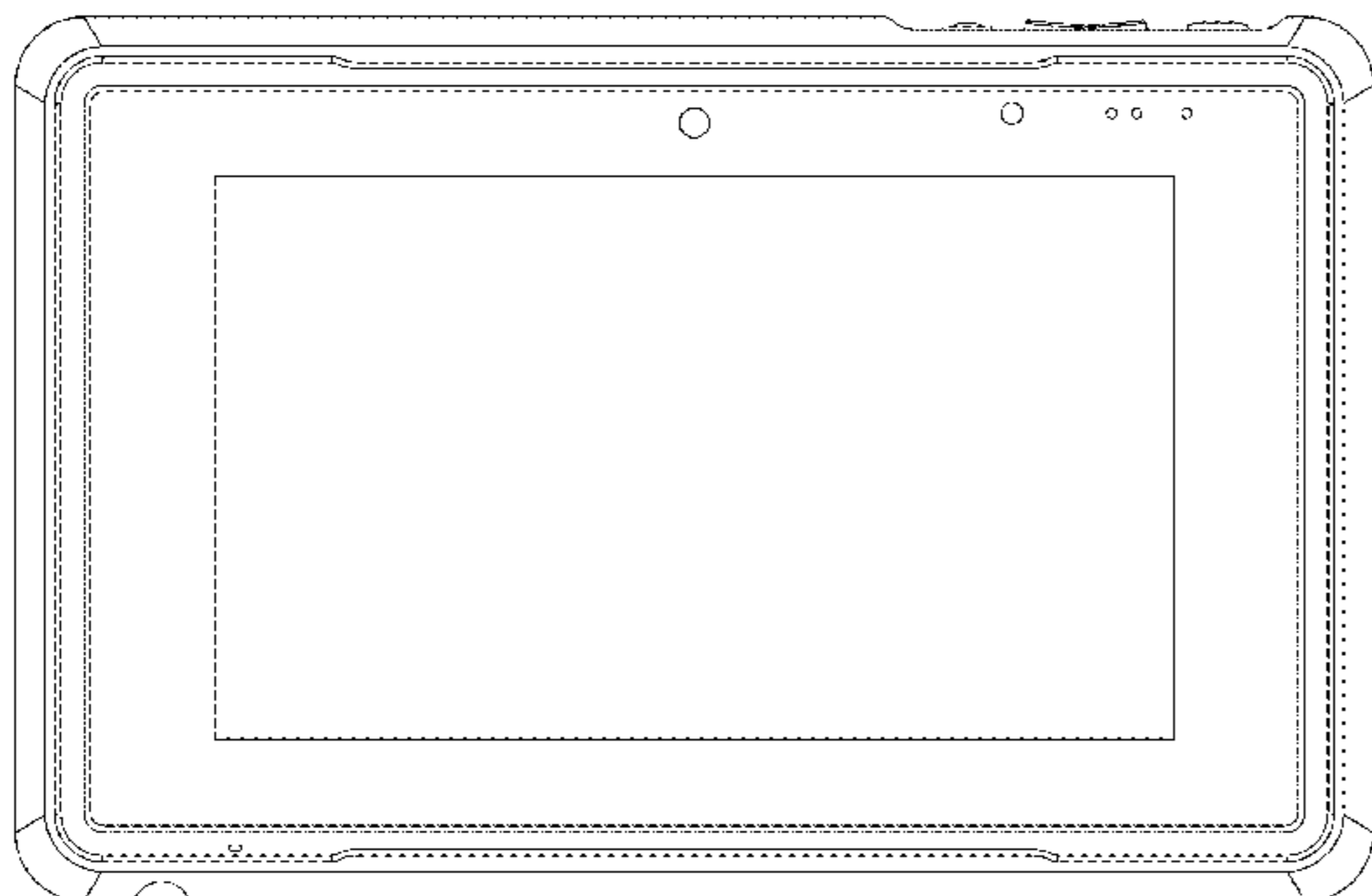


FIG. 24 is a bottom plan view thereof, wherein all other views are the same as corresponding views in the first embodiment;
FIG. 25 is a front perspective view of the mobile computer in a sixth embodiment;

FIG. 26 is a rear perspective view thereof;

FIG. 27 is a front elevational view thereof;

FIG. 28 is a rear elevational view thereof;

FIG. 29 is a right side elevational view thereof;

FIG. 30 is a left side elevational view thereof;

FIG. 31 is a top plan view thereof;

FIG. 32 is a bottom plan view thereof;

FIG. 33 is a rear perspective view of the mobile computer in a seventh embodiment;

FIG. 34 is a rear elevational view thereof, wherein all other views are the same as corresponding views in the first embodiment;

FIG. 35 is a front perspective view of the mobile computer in a eighth embodiment;

FIG. 36 is a rear perspective view thereof;

FIG. 37 is a rear elevational view thereof;

FIG. 38 is a right side elevational view thereof;

FIG. 39 is a left side elevational view thereof;

FIG. 40 is a top plan view thereof, wherein all other views are the same as corresponding views in the first embodiment;

FIG. 41 is a rear perspective view of the mobile computer in a ninth embodiment;

FIG. 42 is a rear elevational view thereof;

FIG. 43 is a top plan view thereof;

FIG. 44 is a bottom plan view thereof, wherein all other views are the same as corresponding views in the first embodiment;

FIG. 45 is a front perspective view of the mobile computer in a tenth embodiment;

FIG. 46 is a rear perspective view thereof;

FIG. 47 is a front elevational view thereof;

FIG. 48 is a rear elevational view thereof;

FIG. 49 is a right side elevational view thereof;

FIG. 50 is a left side elevational view thereof;

FIG. 51 is a top plan view thereof; and,

FIG. 52 is a bottom plan view thereof.

**1 Claim, 41 Drawing Sheets
(12 of 41 Drawing Sheet(s) Filed in Color)**

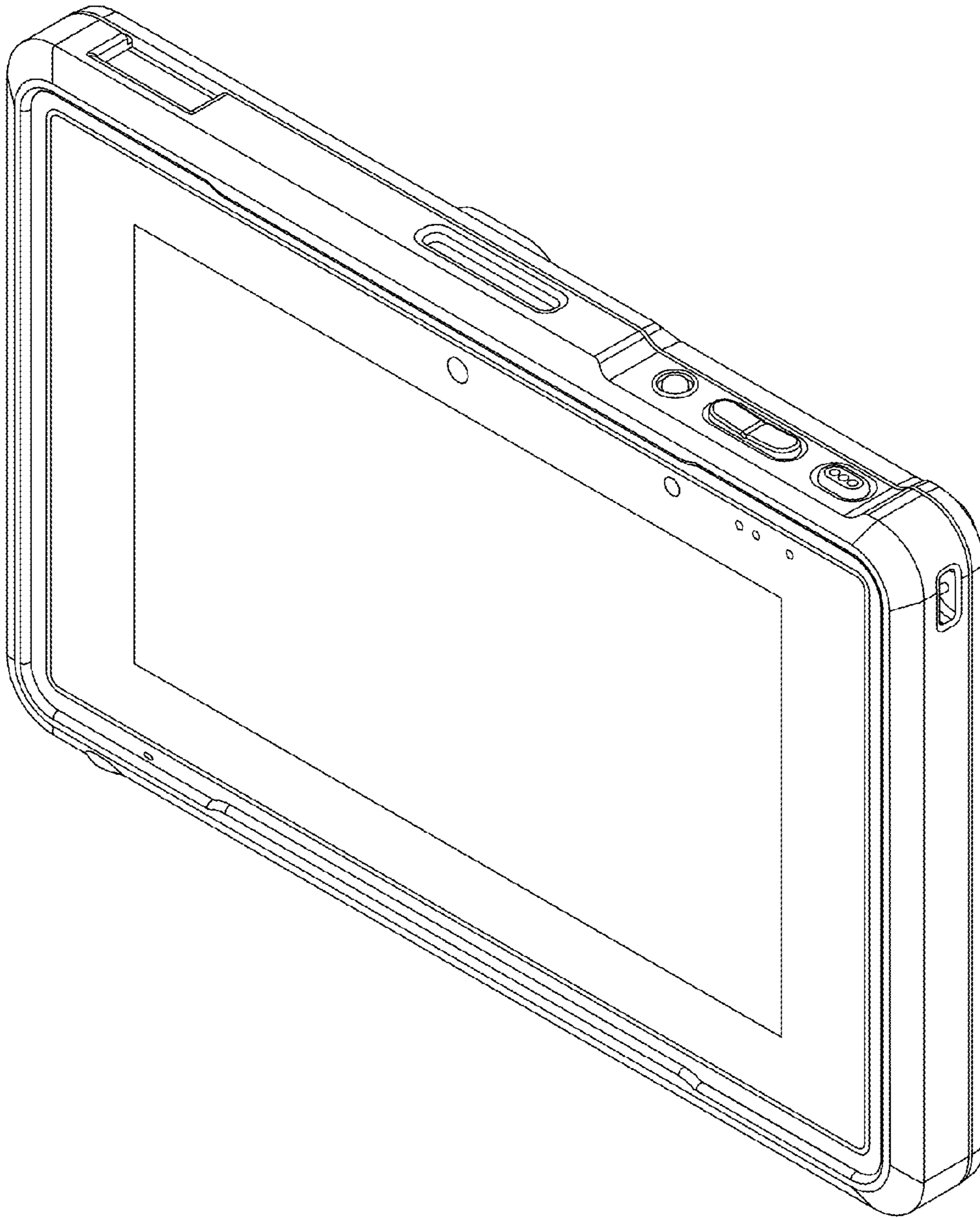


FIG.1

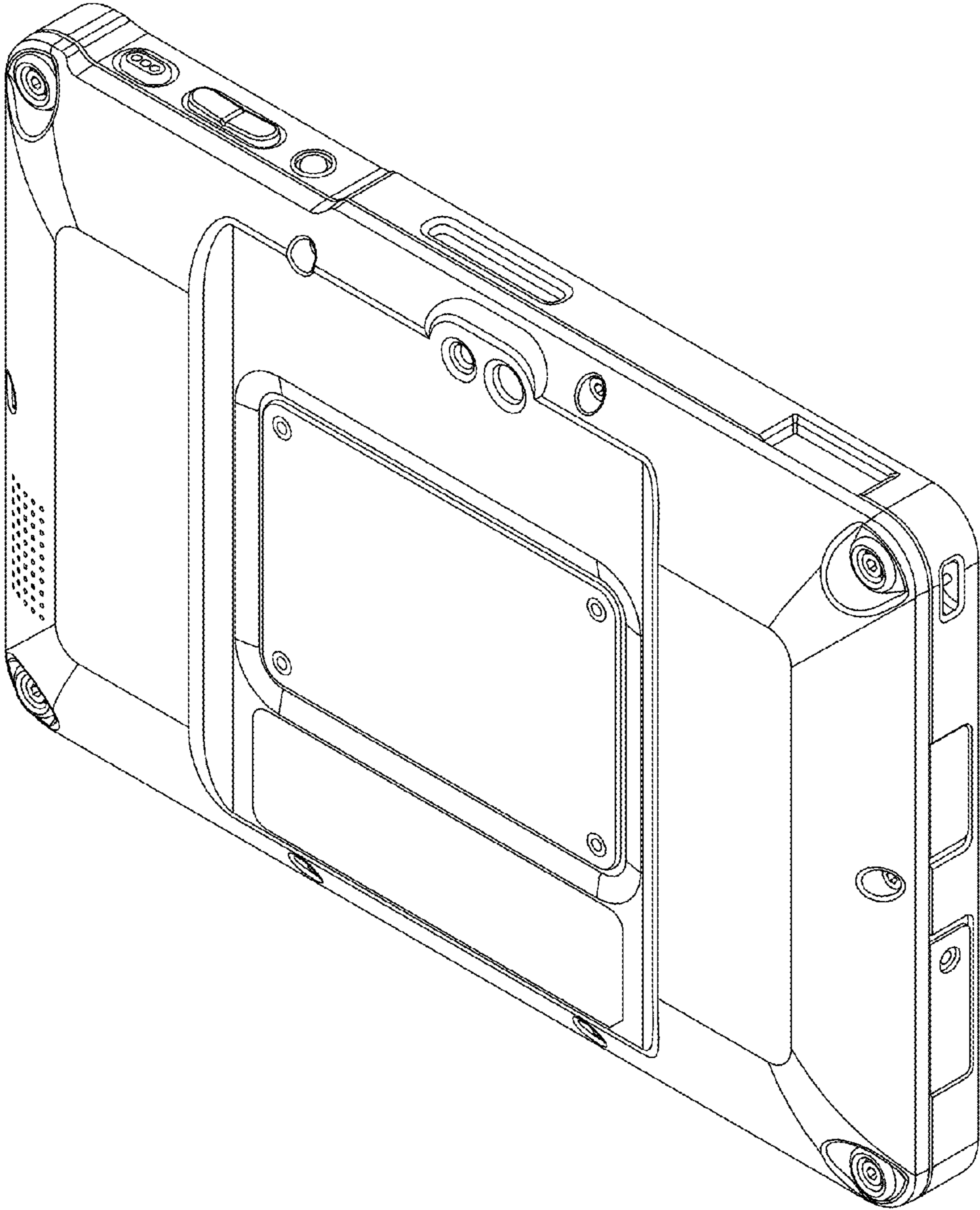


FIG.2

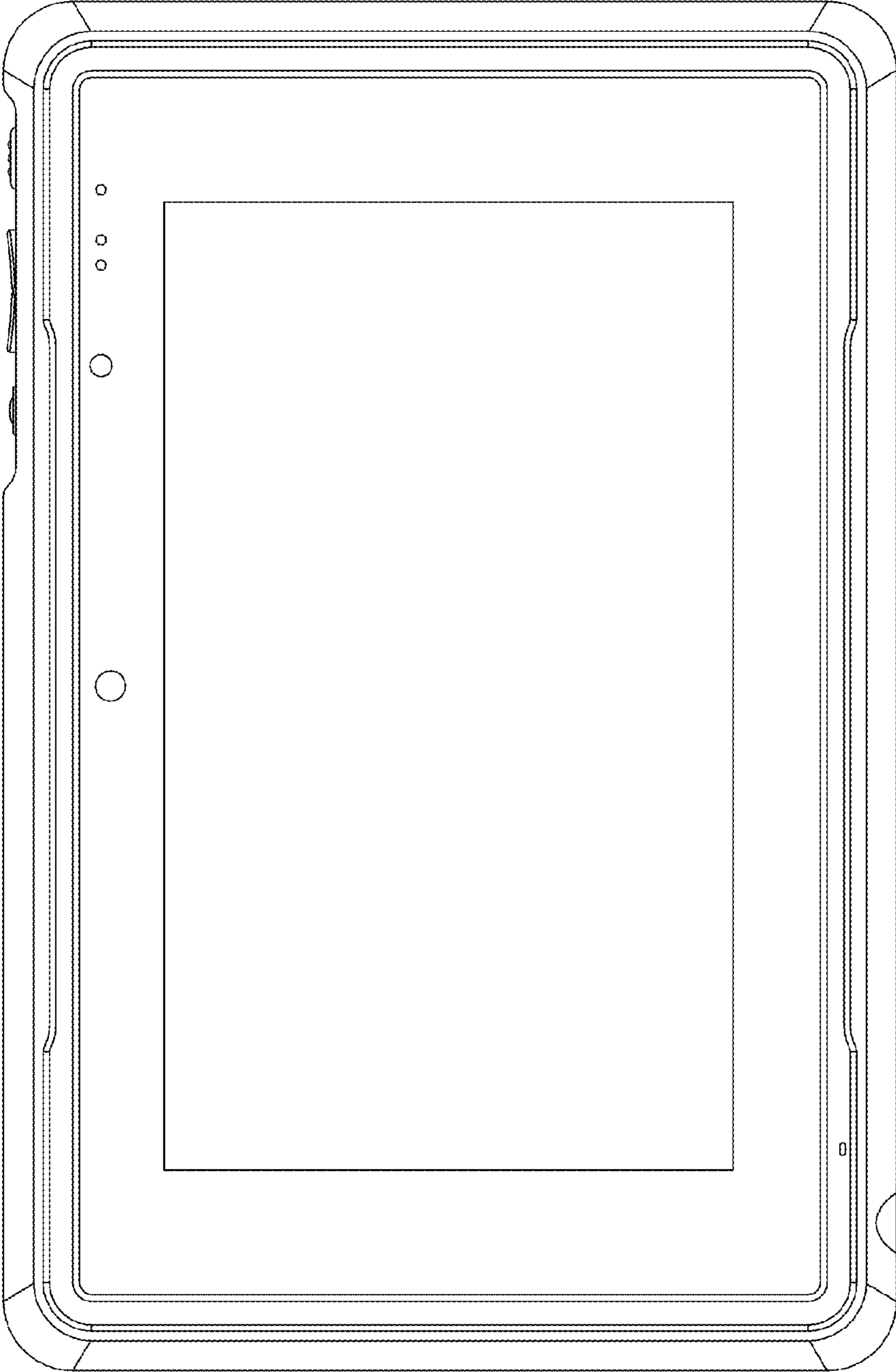


FIG.3

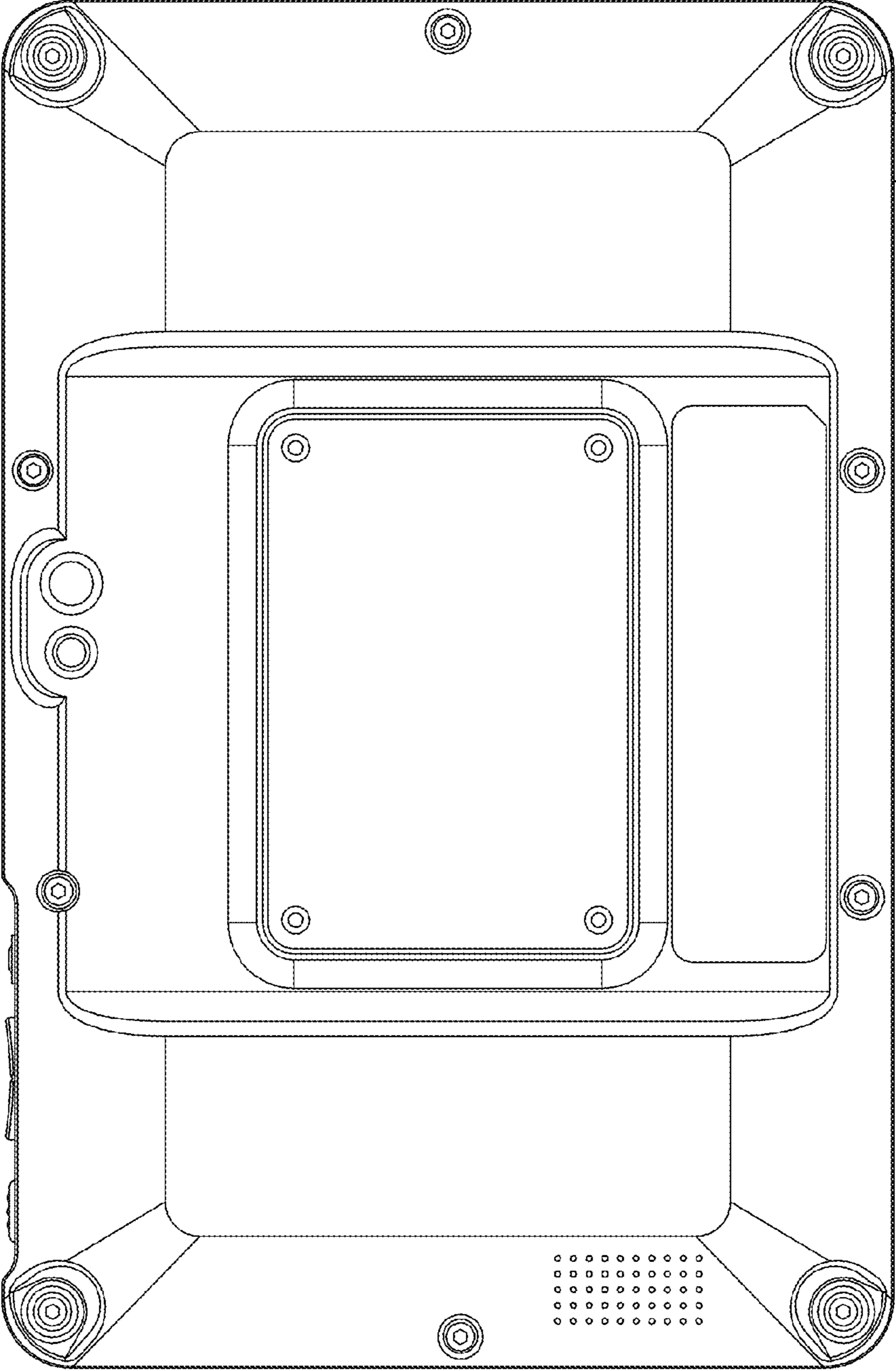


FIG.4

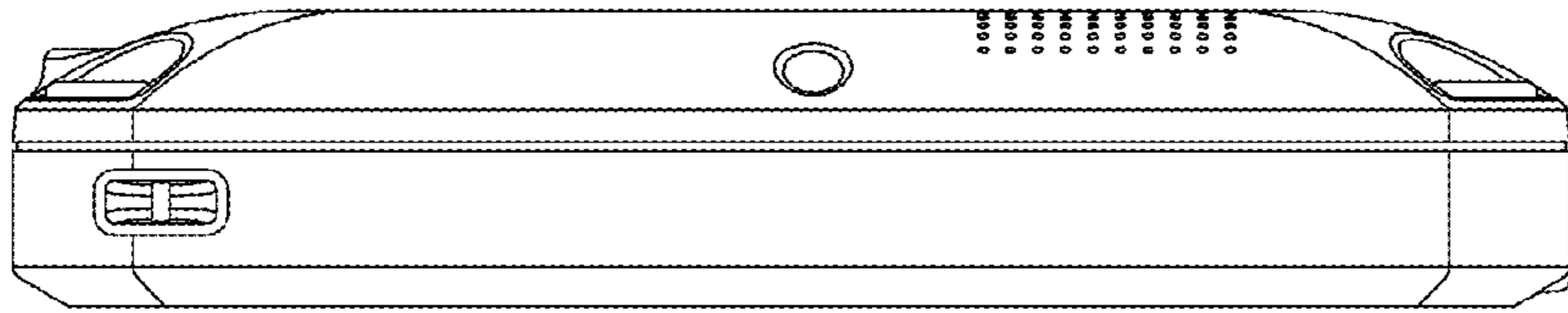


FIG. 6

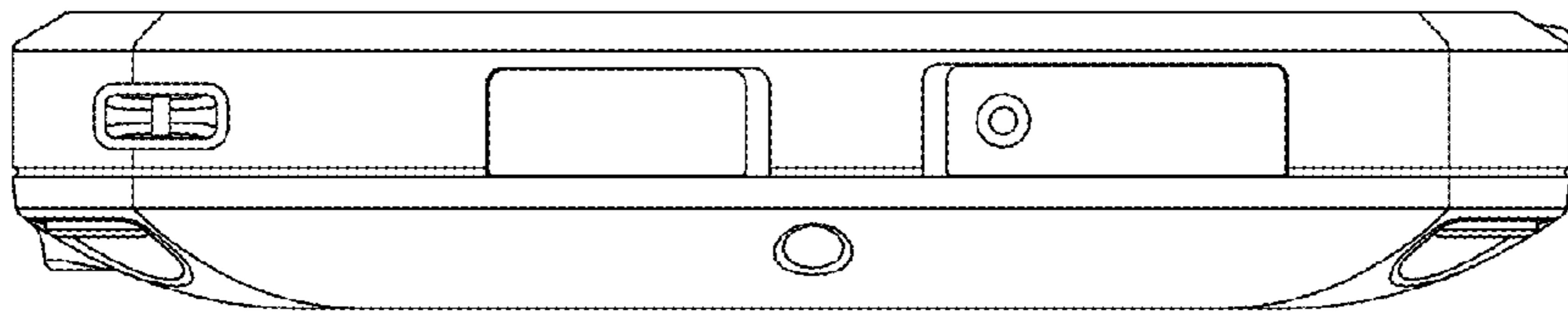


FIG. 5

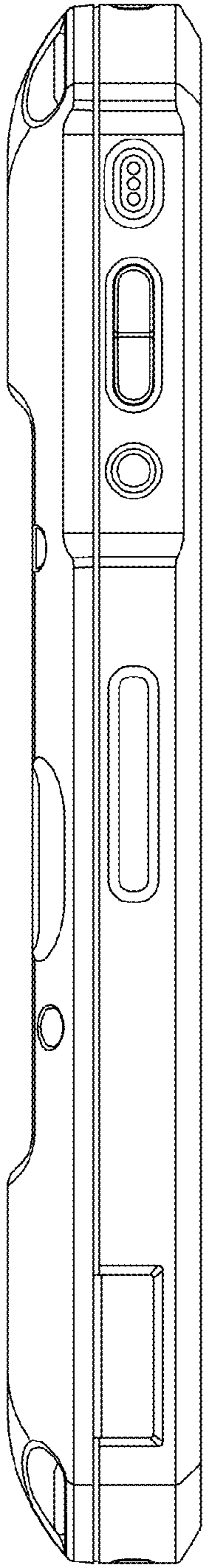


FIG. 7

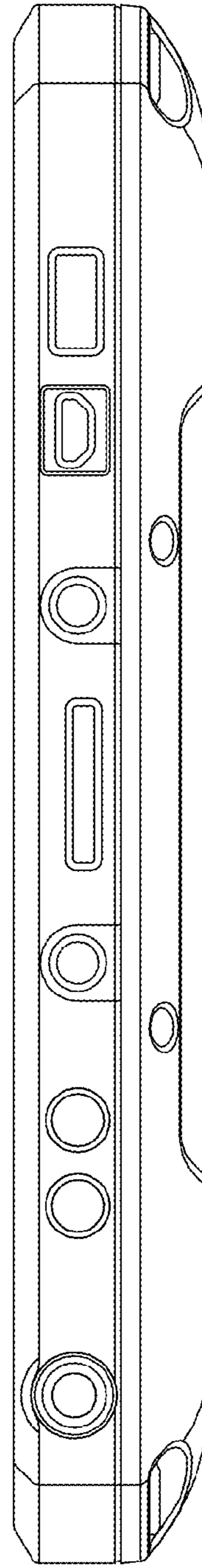


FIG. 8

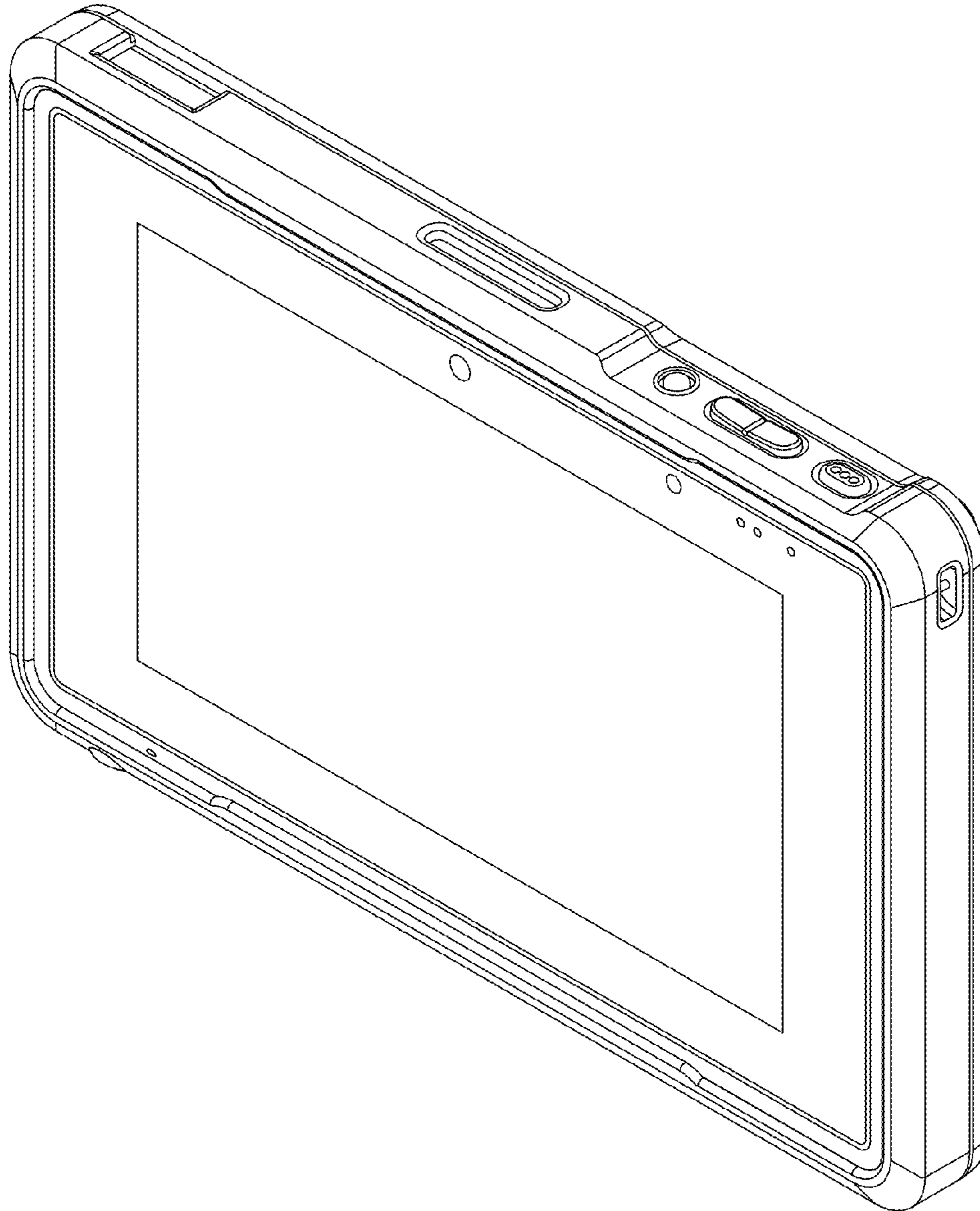


FIG.9

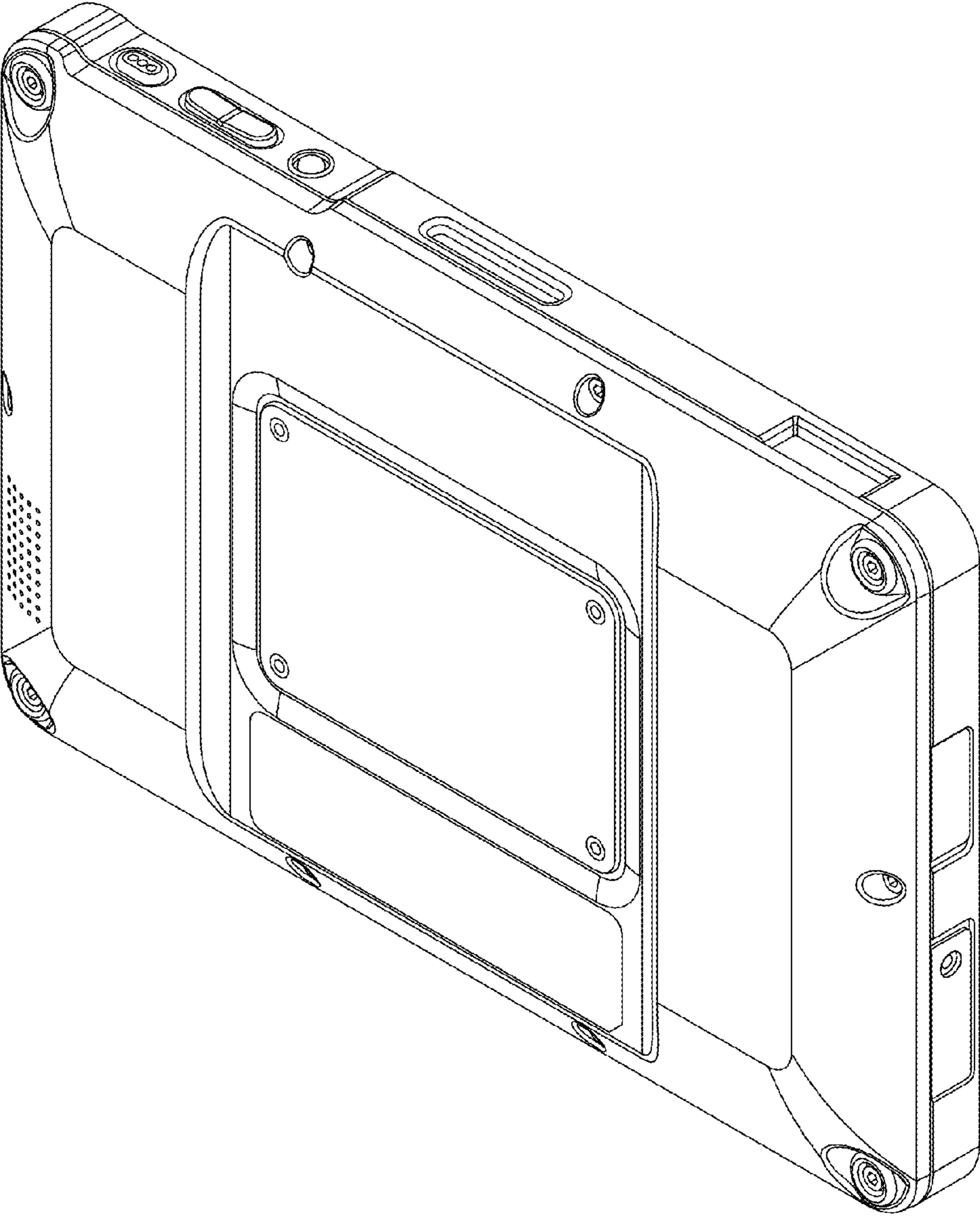


FIG.10

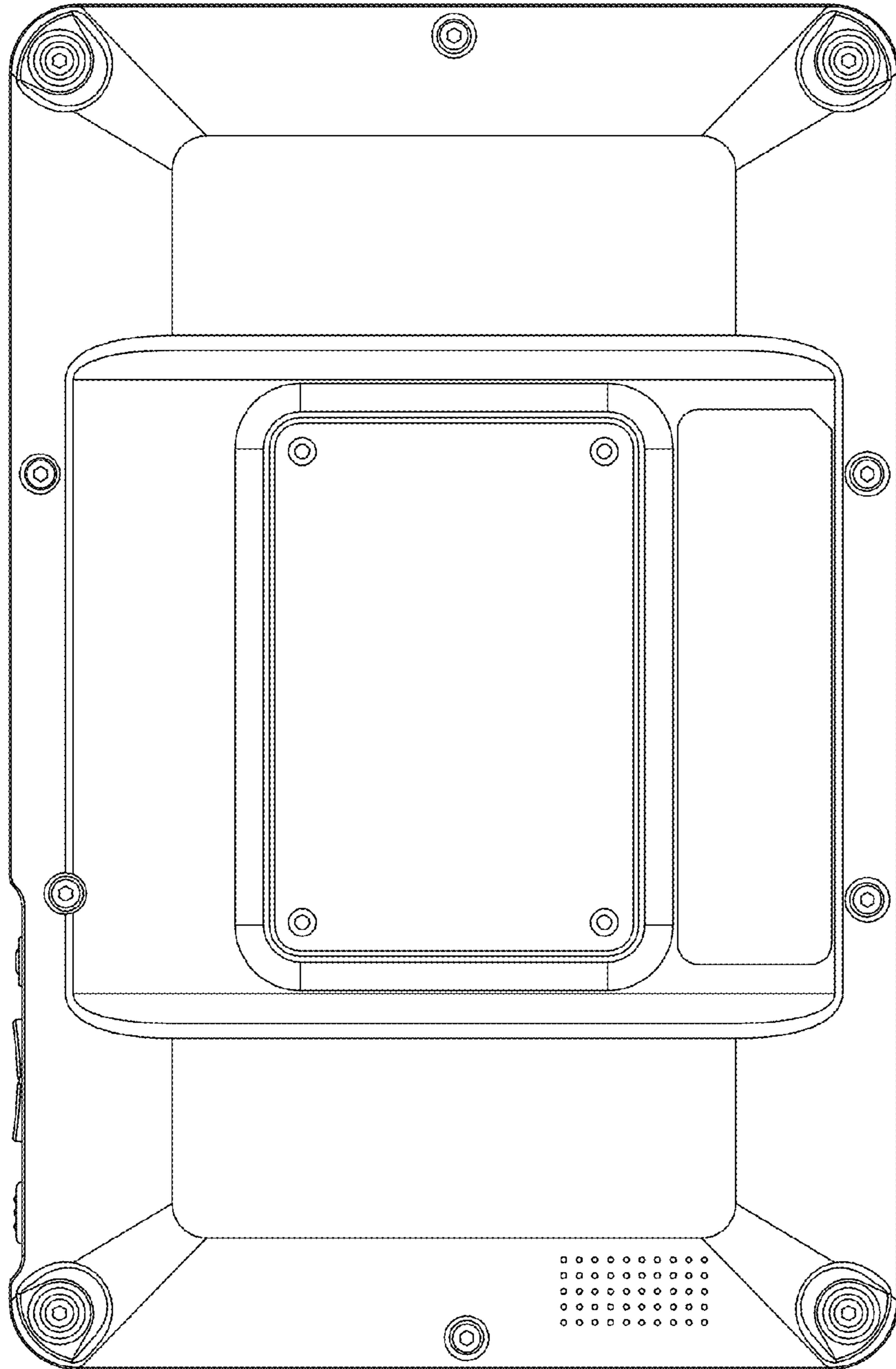


FIG.11

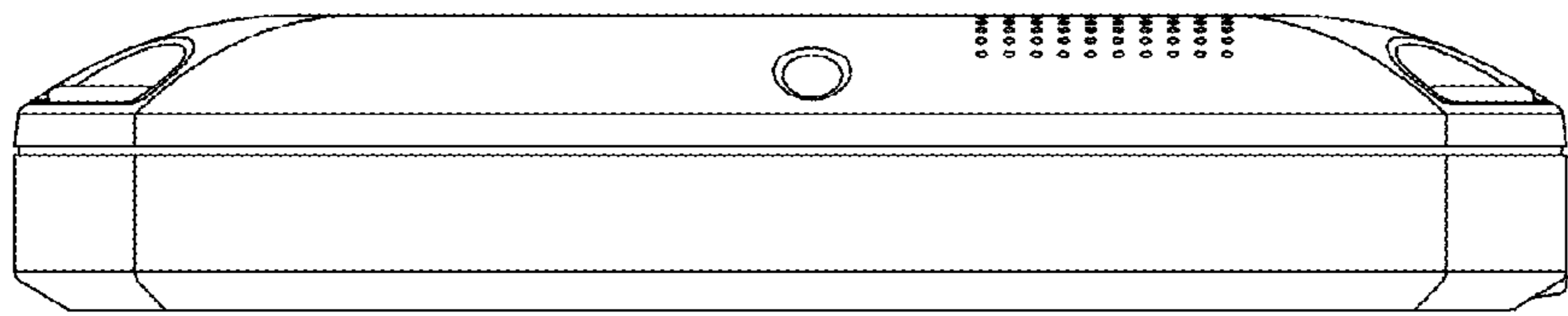


FIG.13

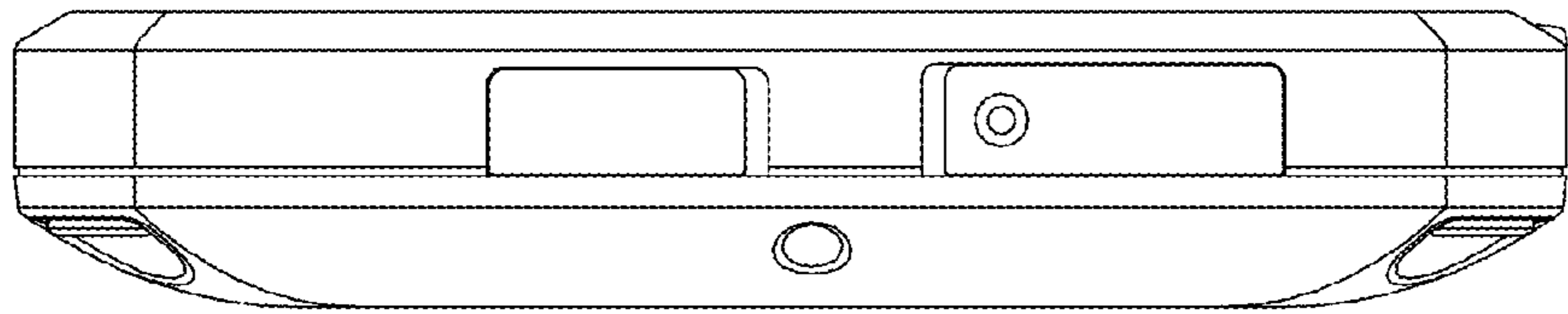


FIG.12

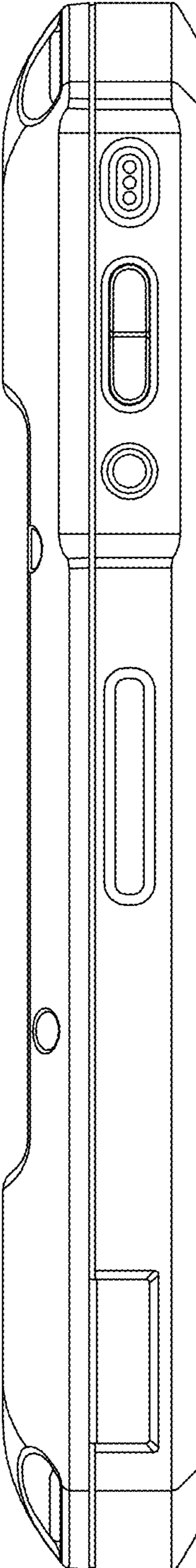


FIG.14

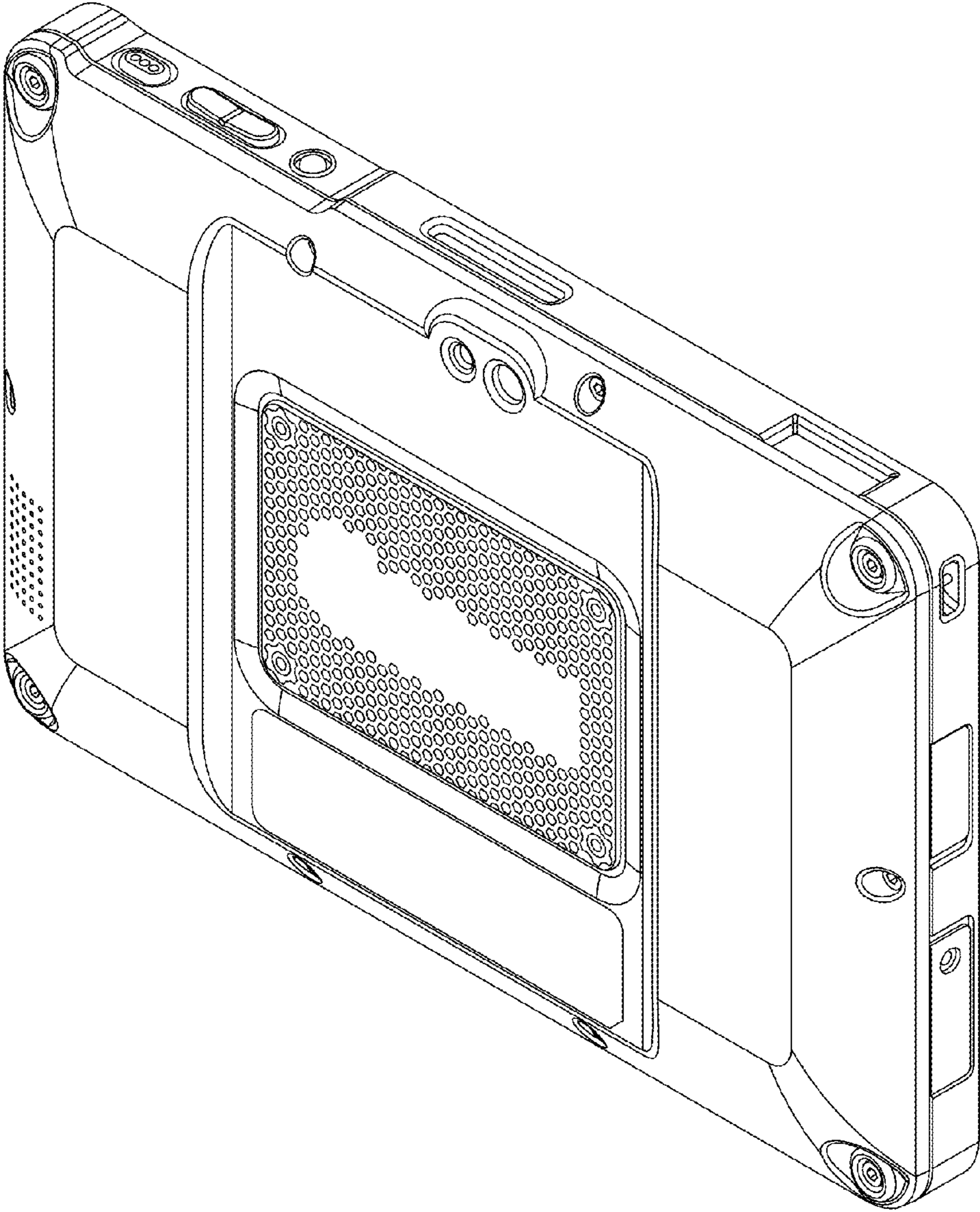


FIG.15

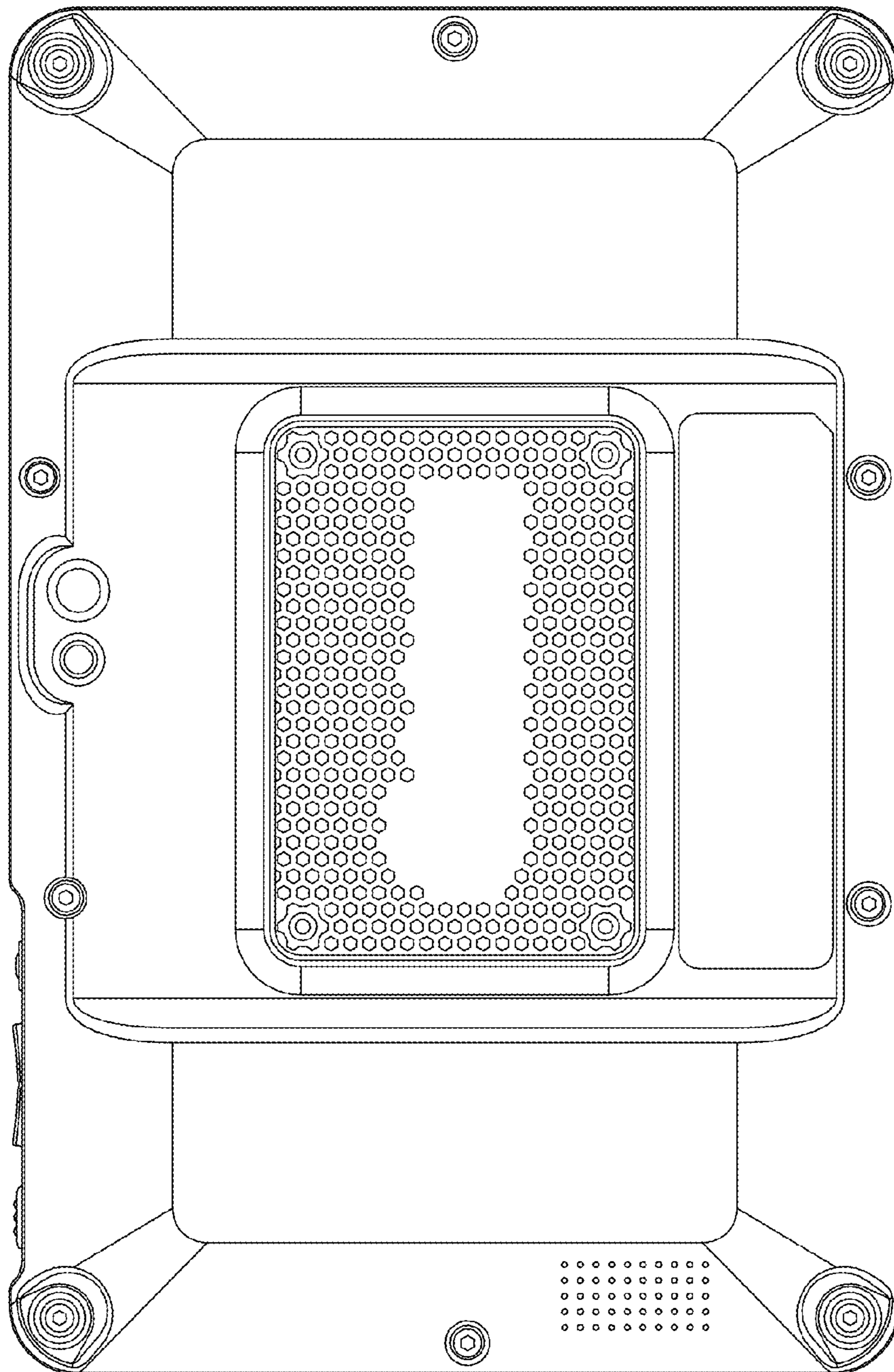


FIG.16

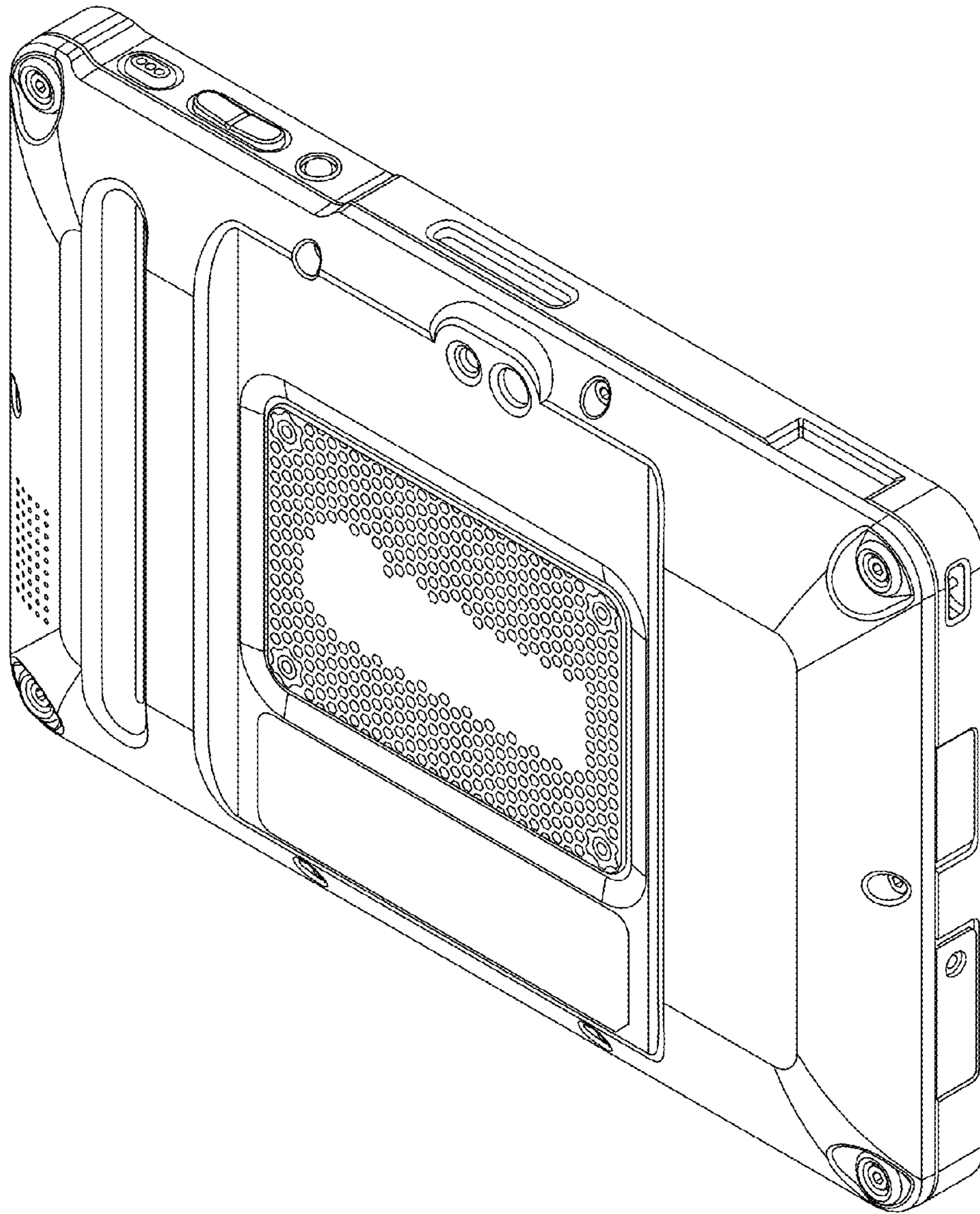


FIG.17

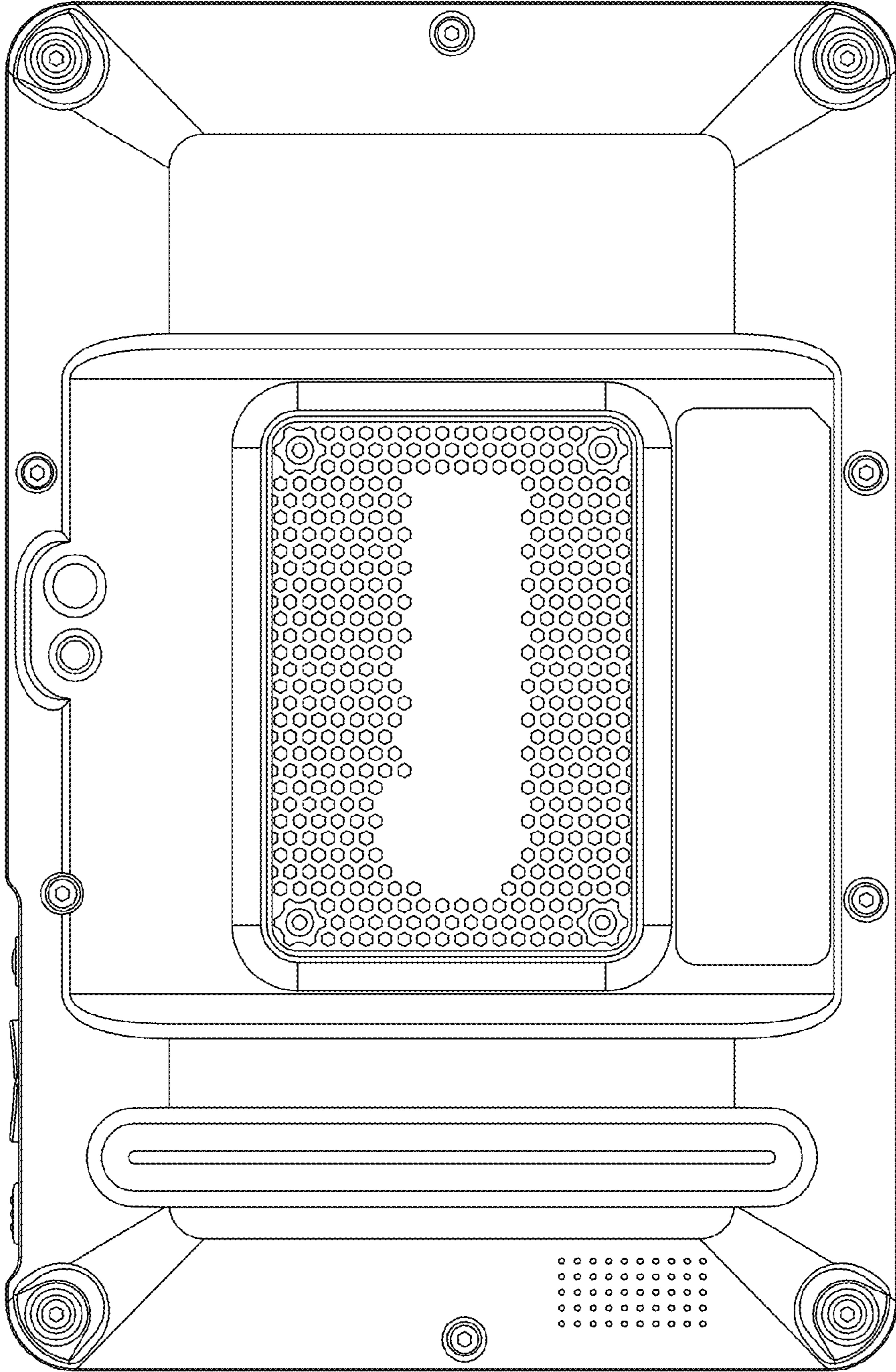


FIG.18

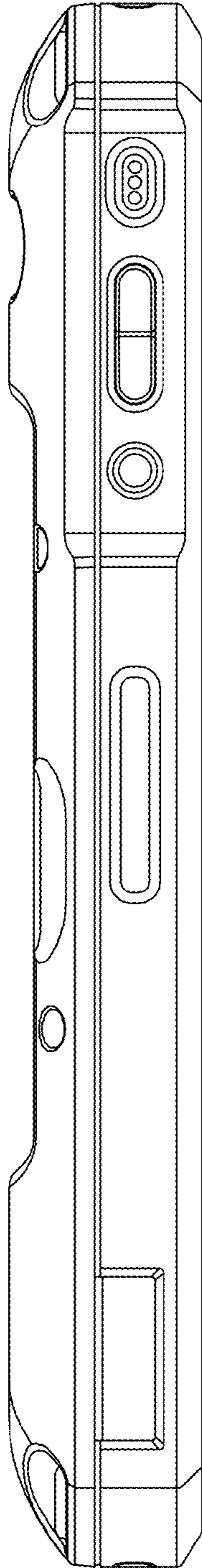


FIG. 19

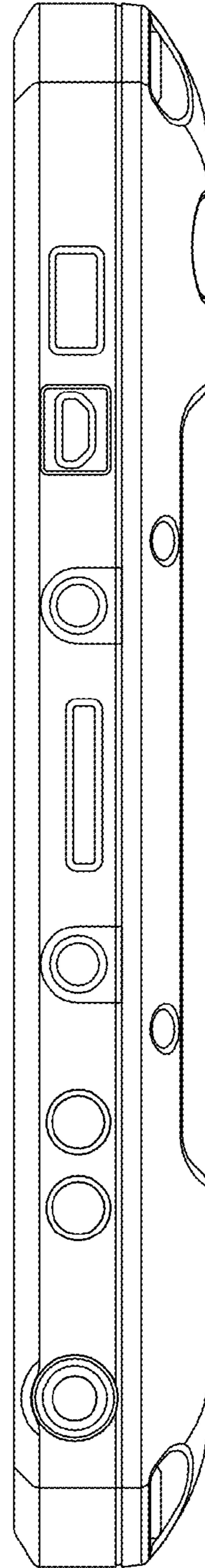


FIG. 20

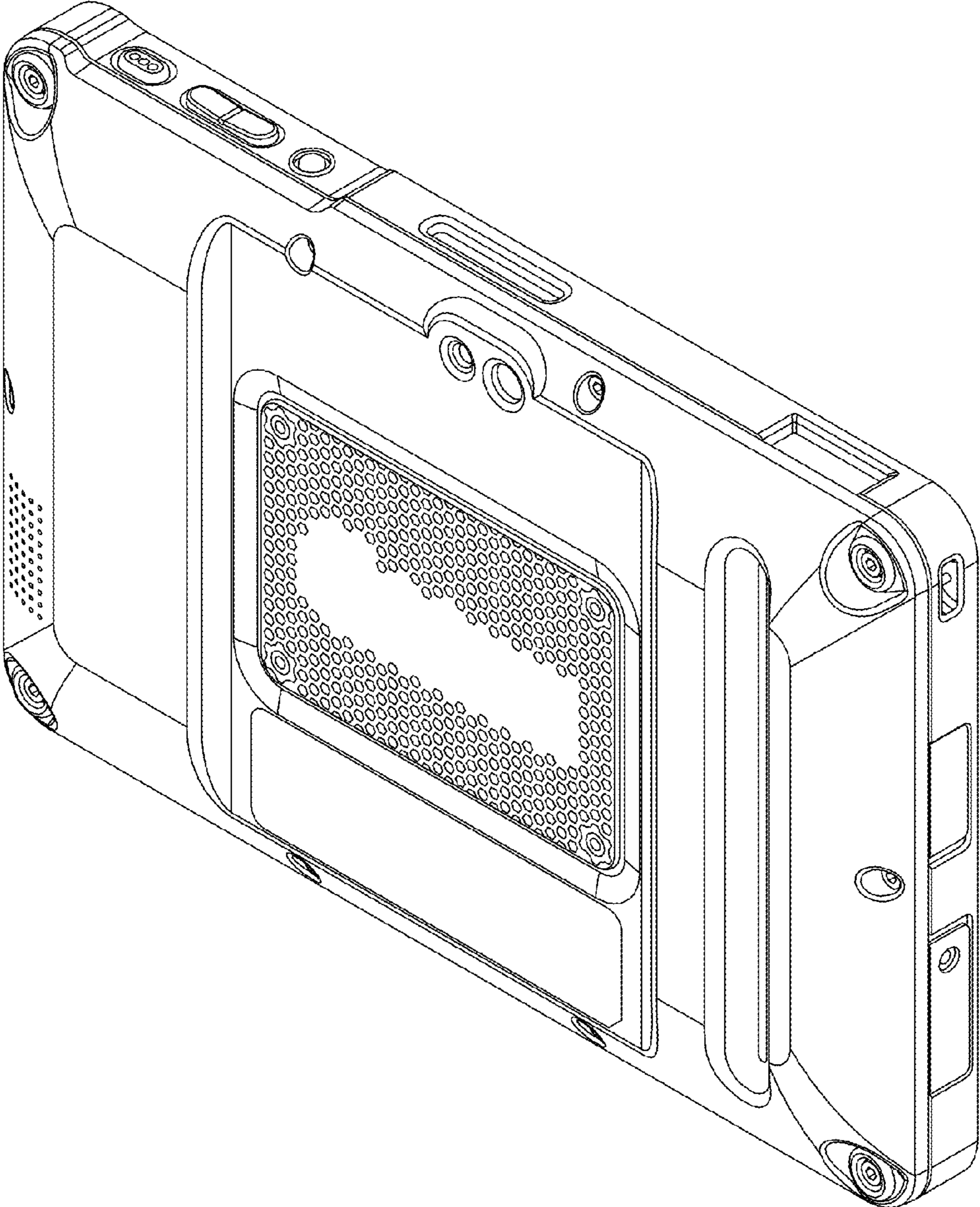


FIG.21

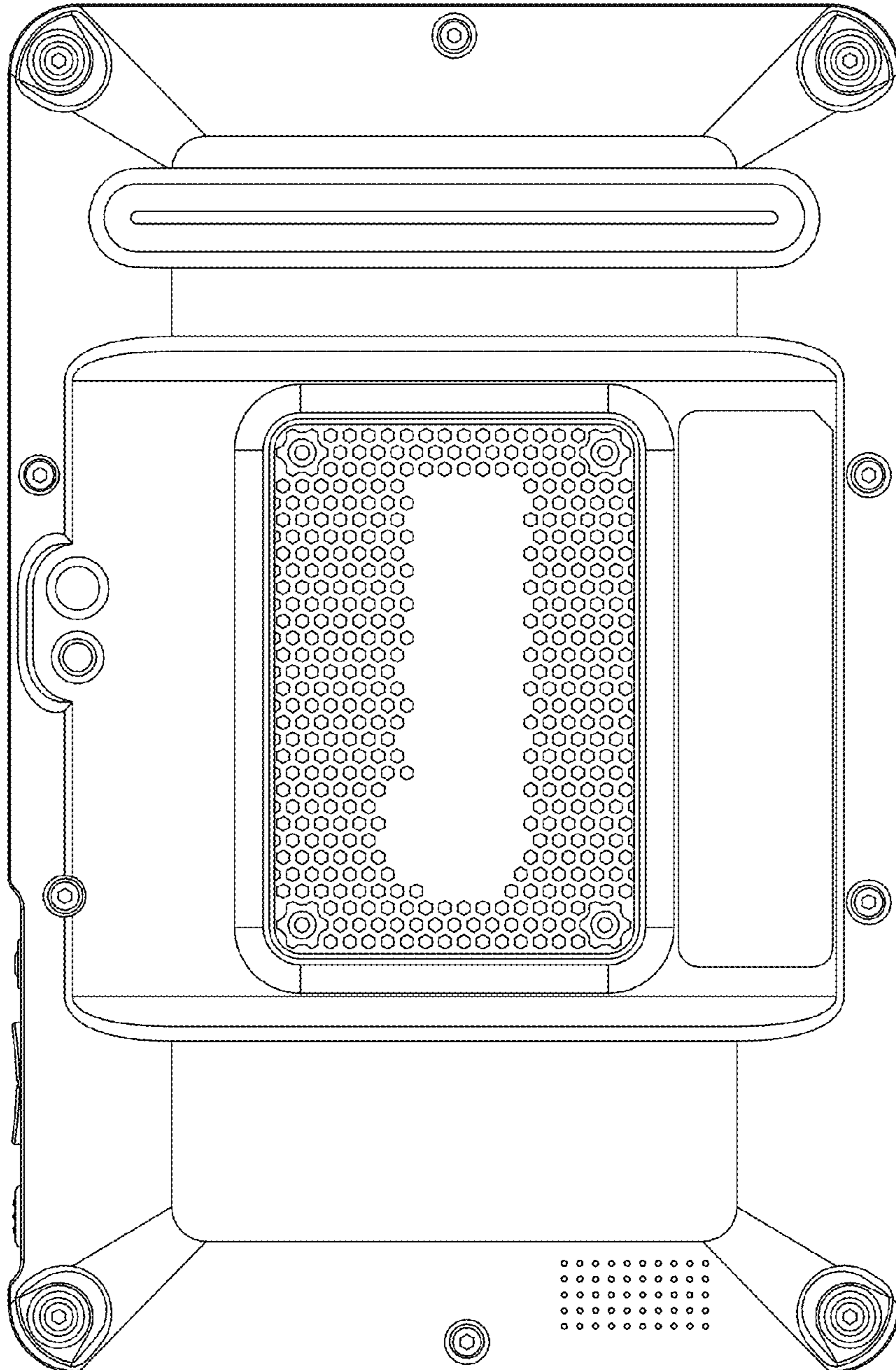


FIG.22

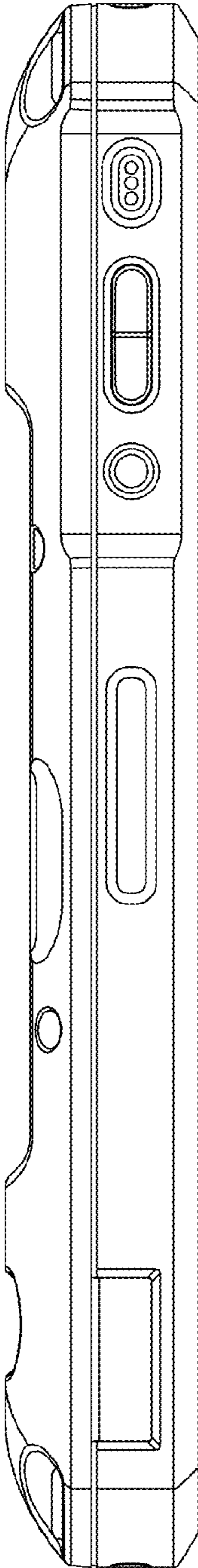


FIG. 23

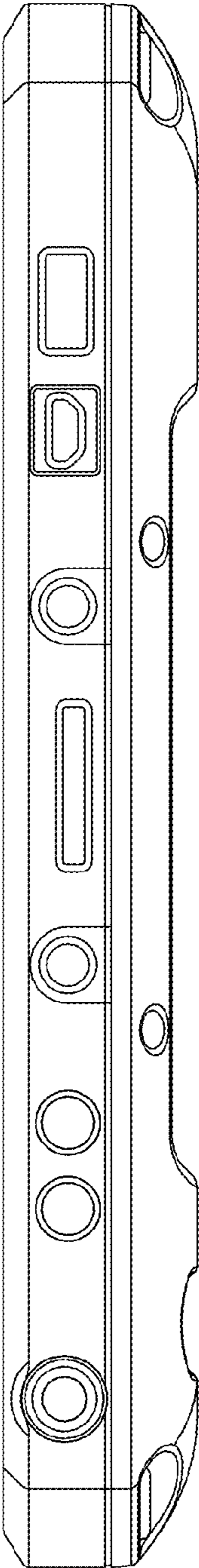


FIG. 24

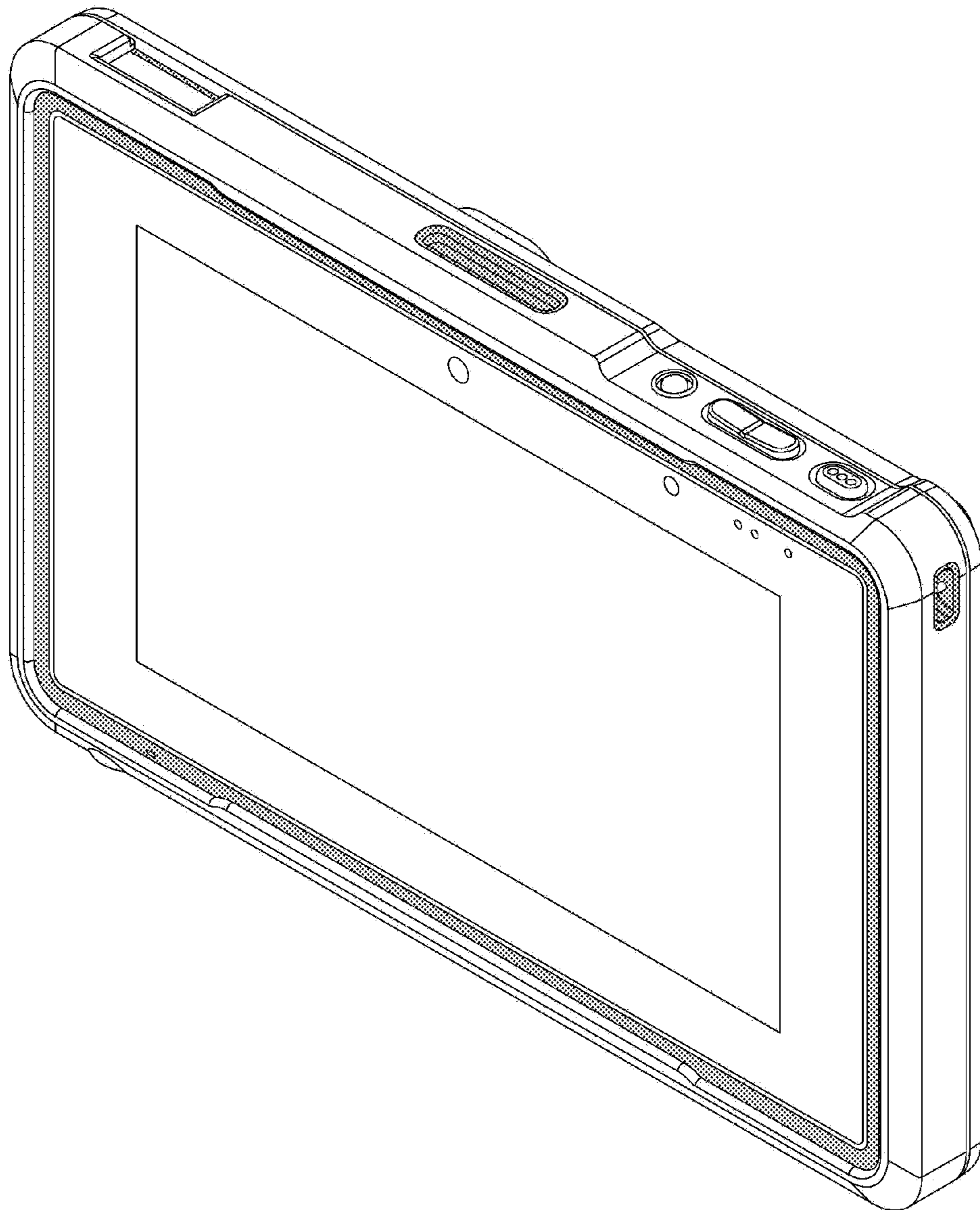


FIG.25

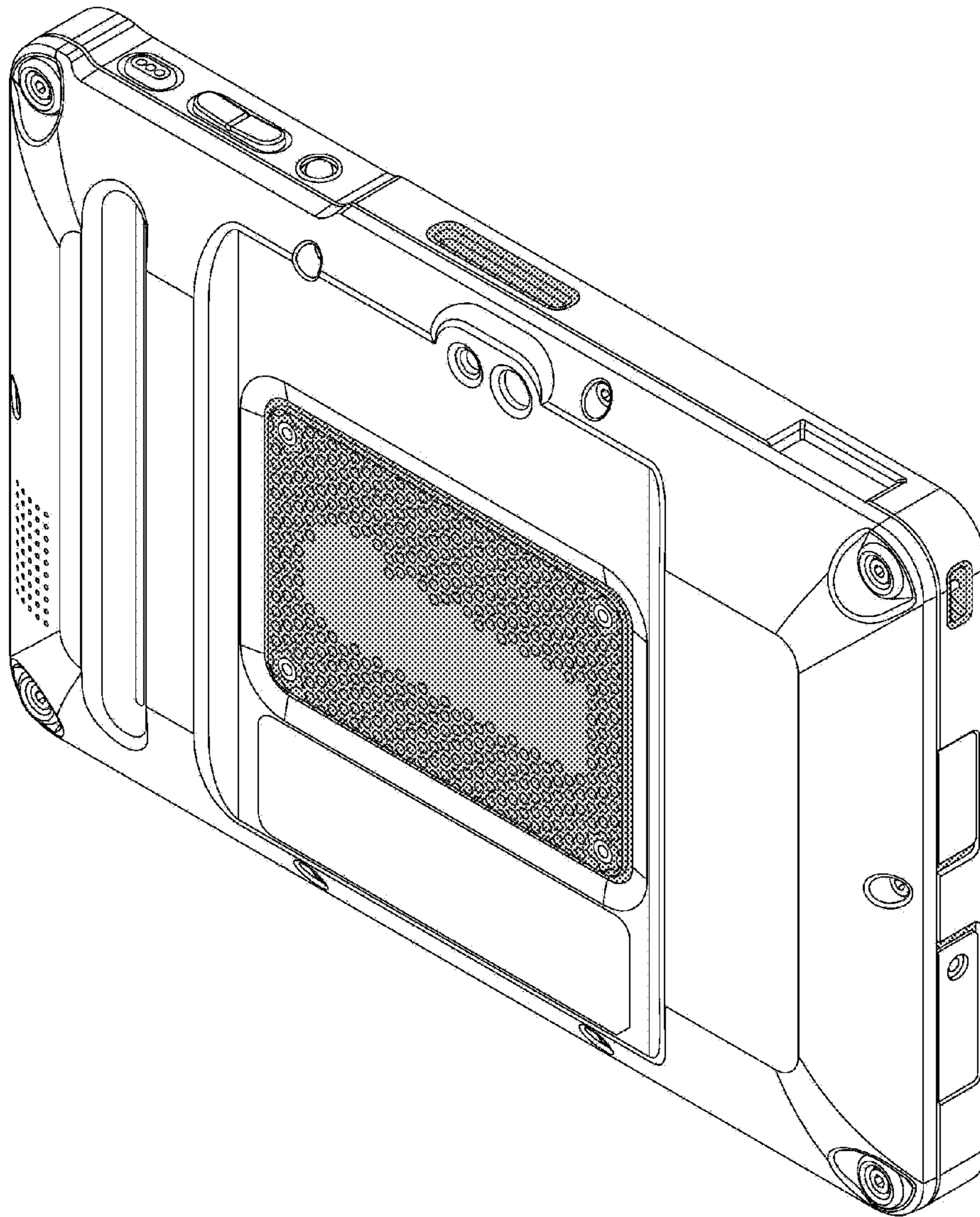


FIG.26

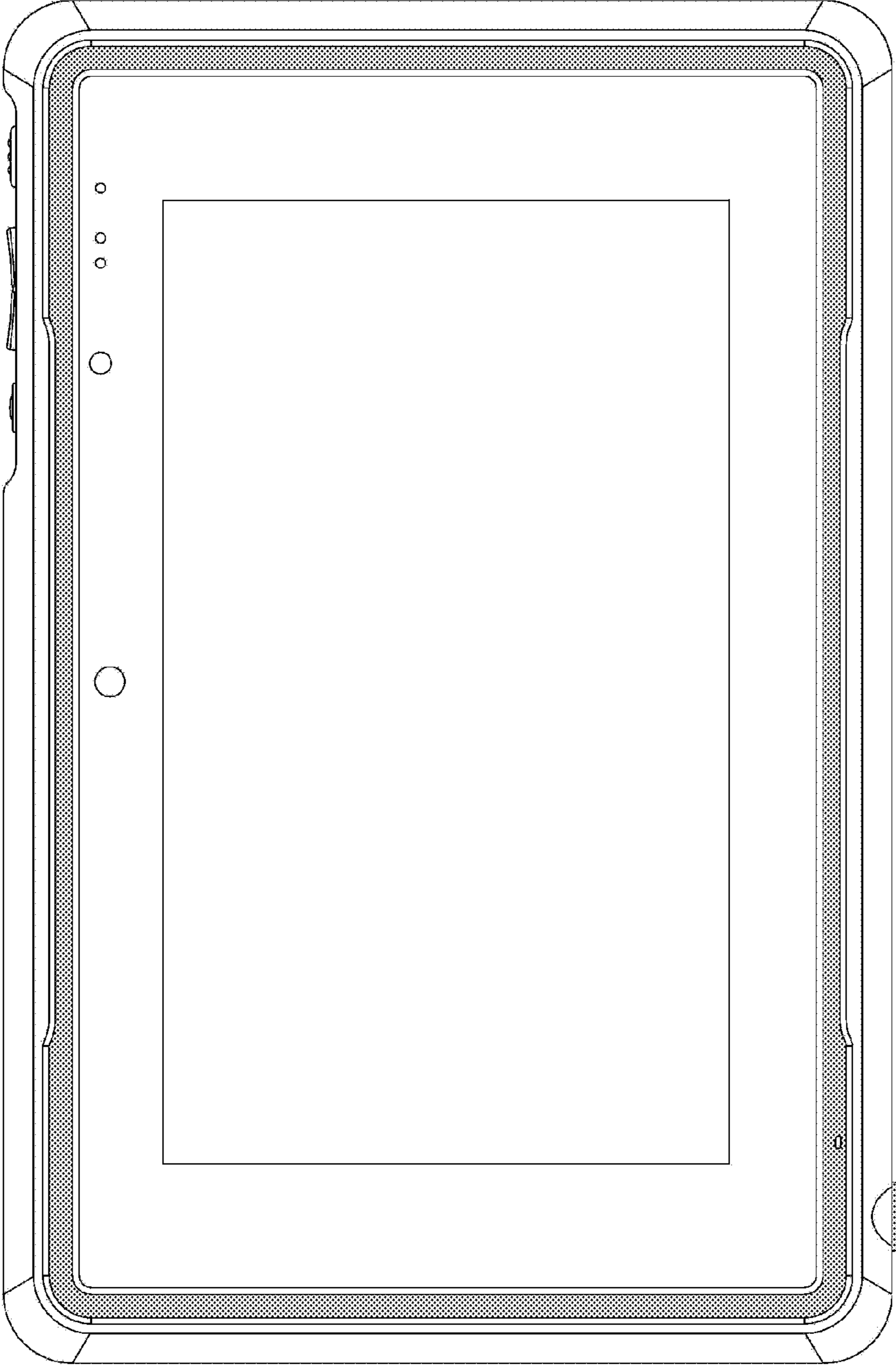


FIG.27

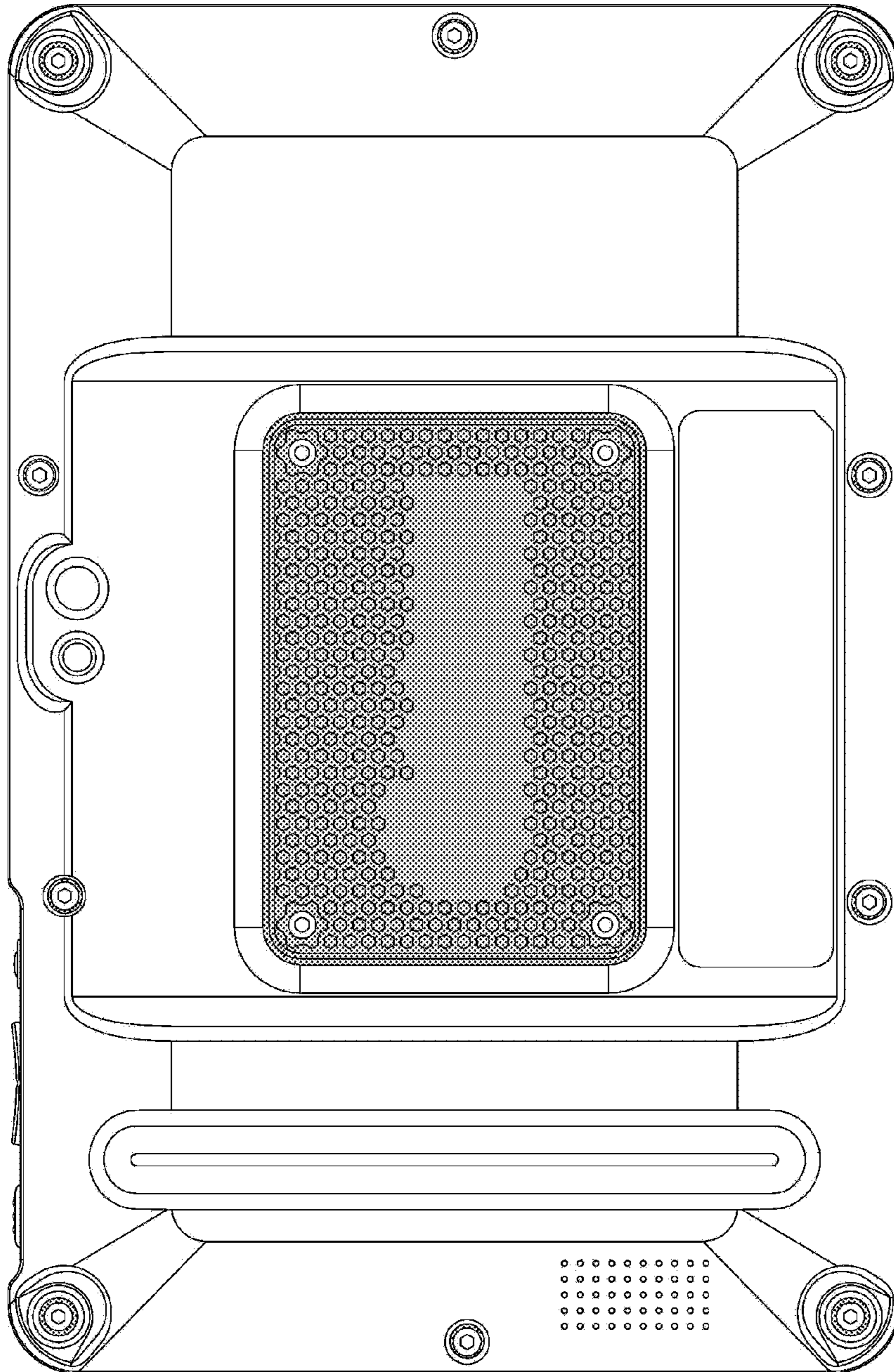


FIG.28

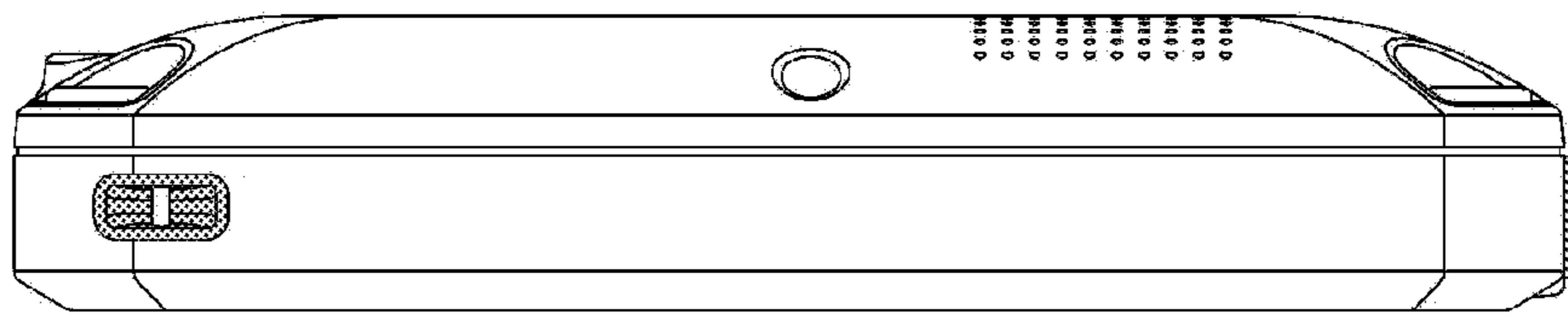


FIG. 30

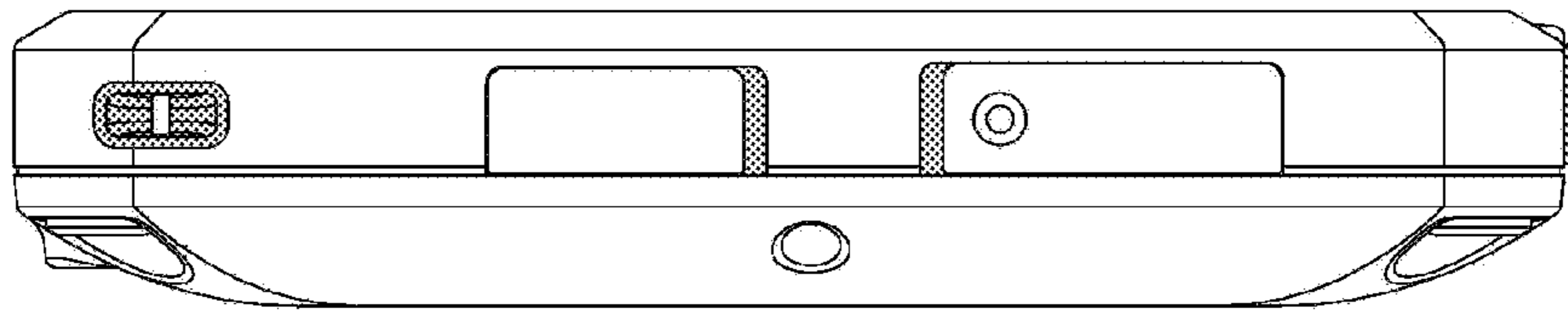


FIG. 29

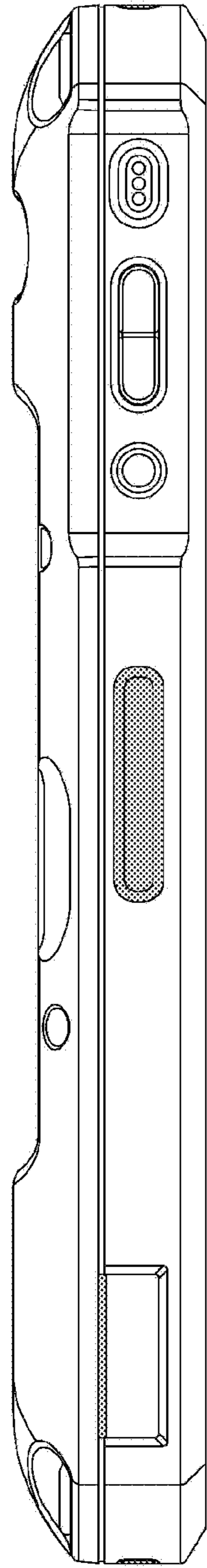


FIG. 31

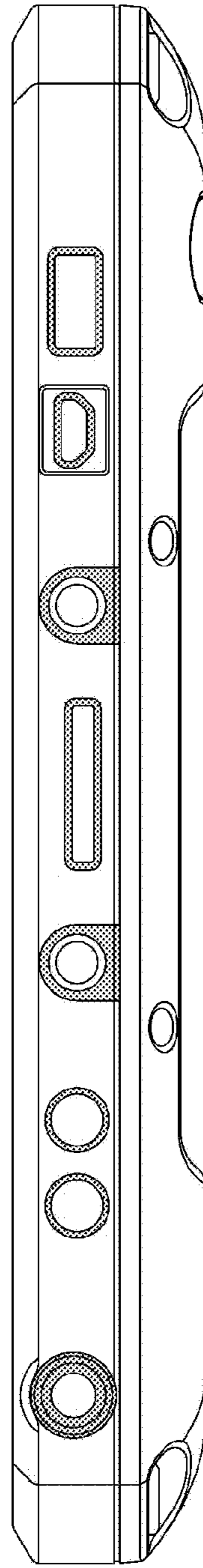


FIG. 32

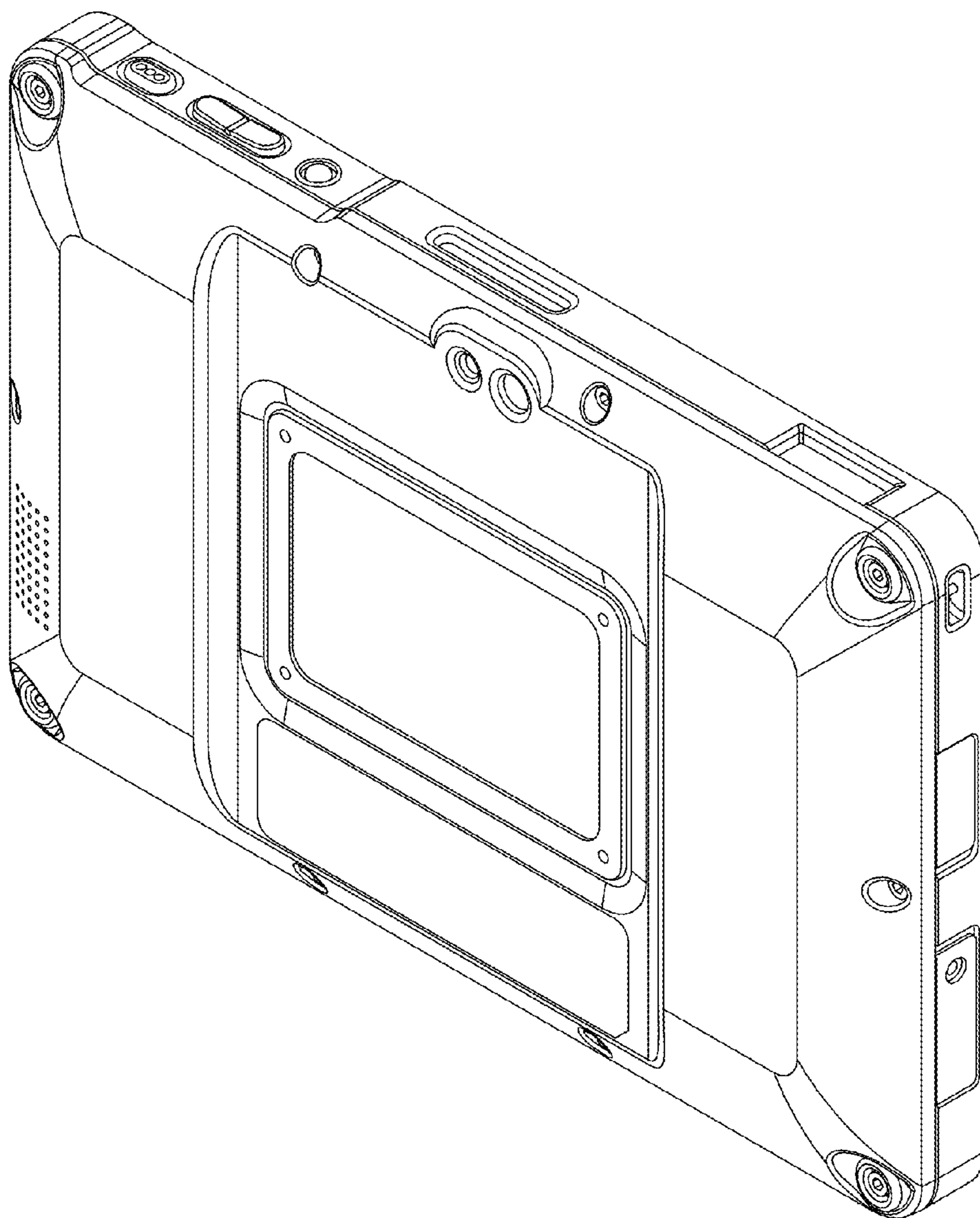


FIG.33

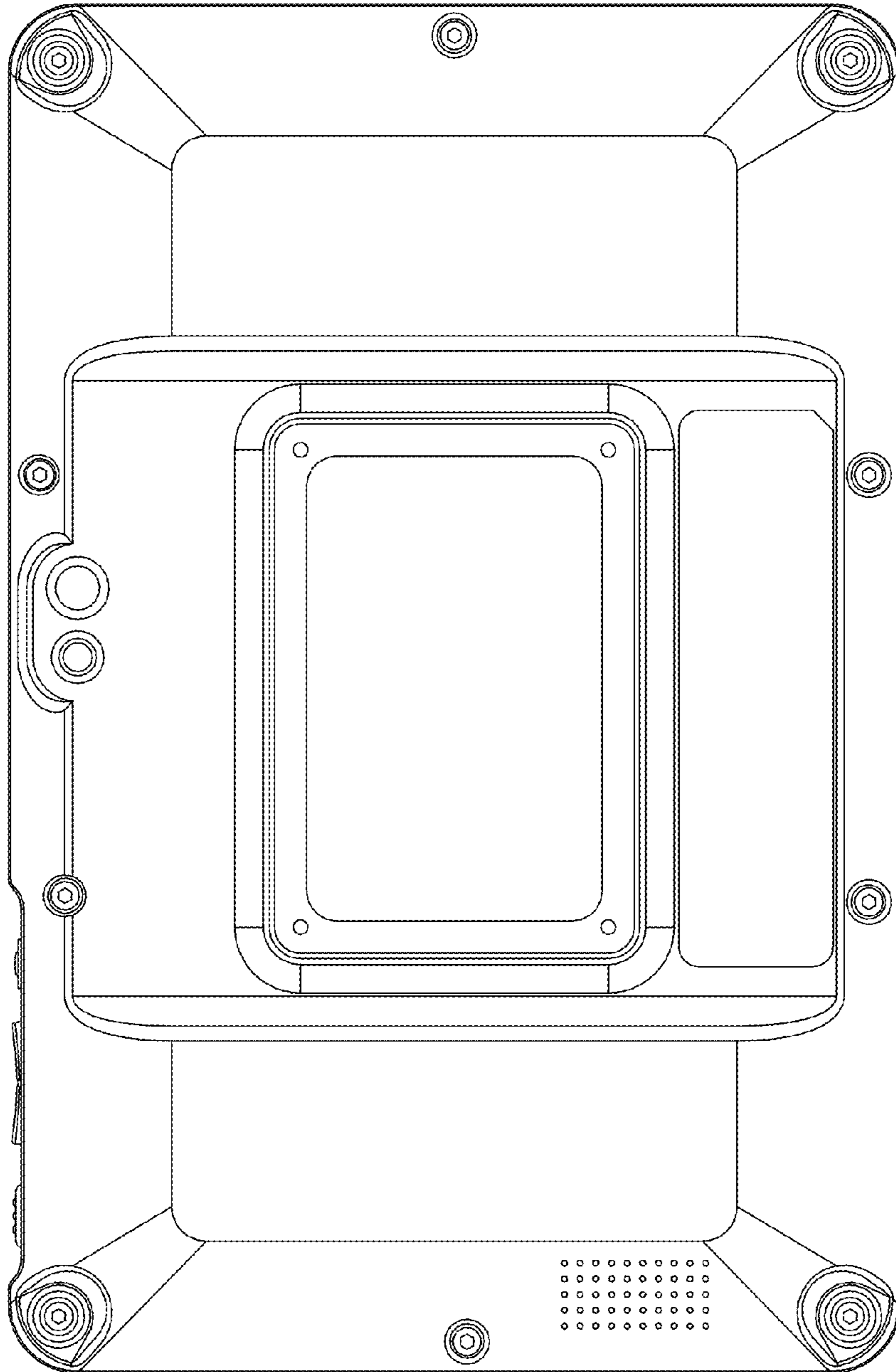


FIG.34

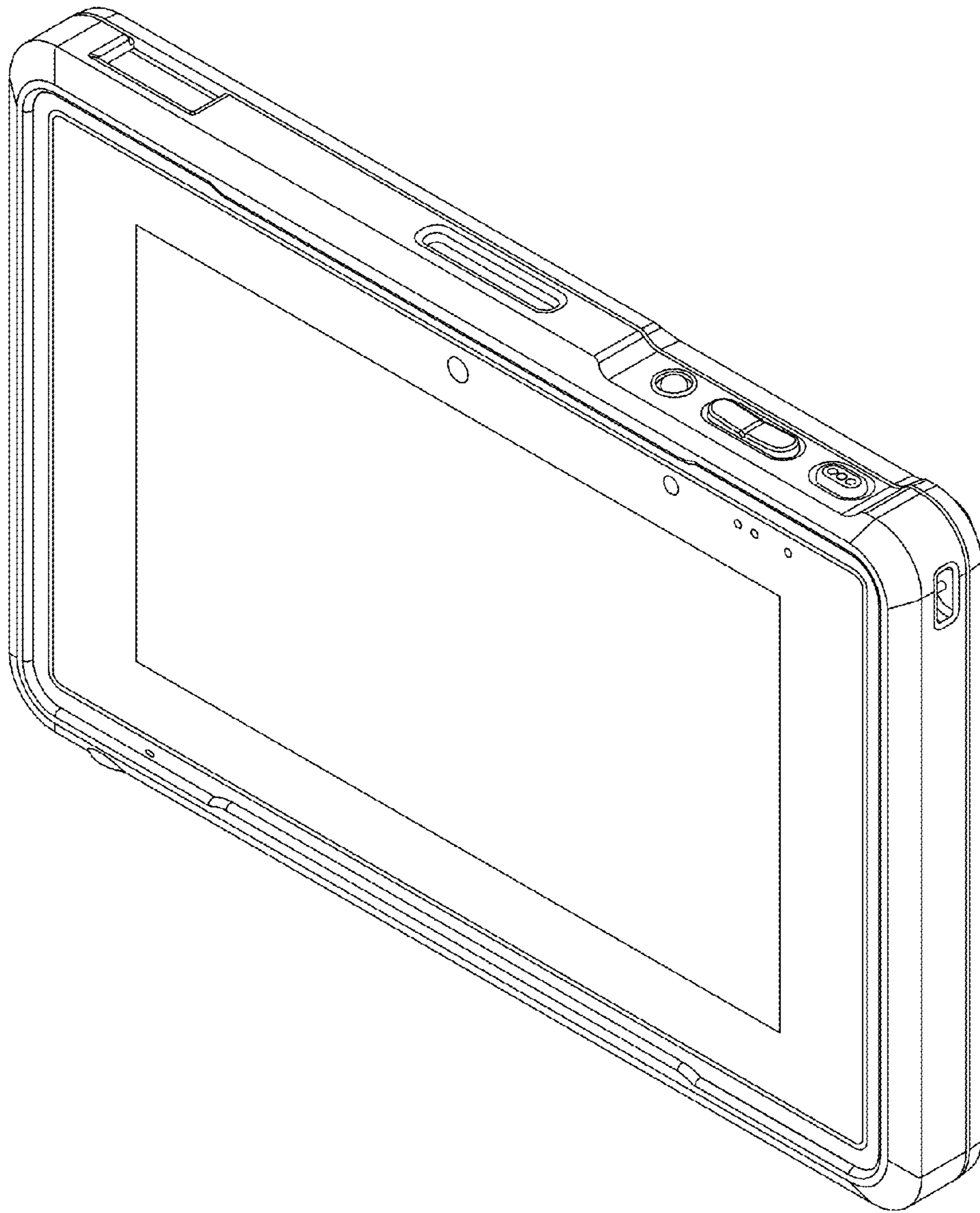


FIG.35

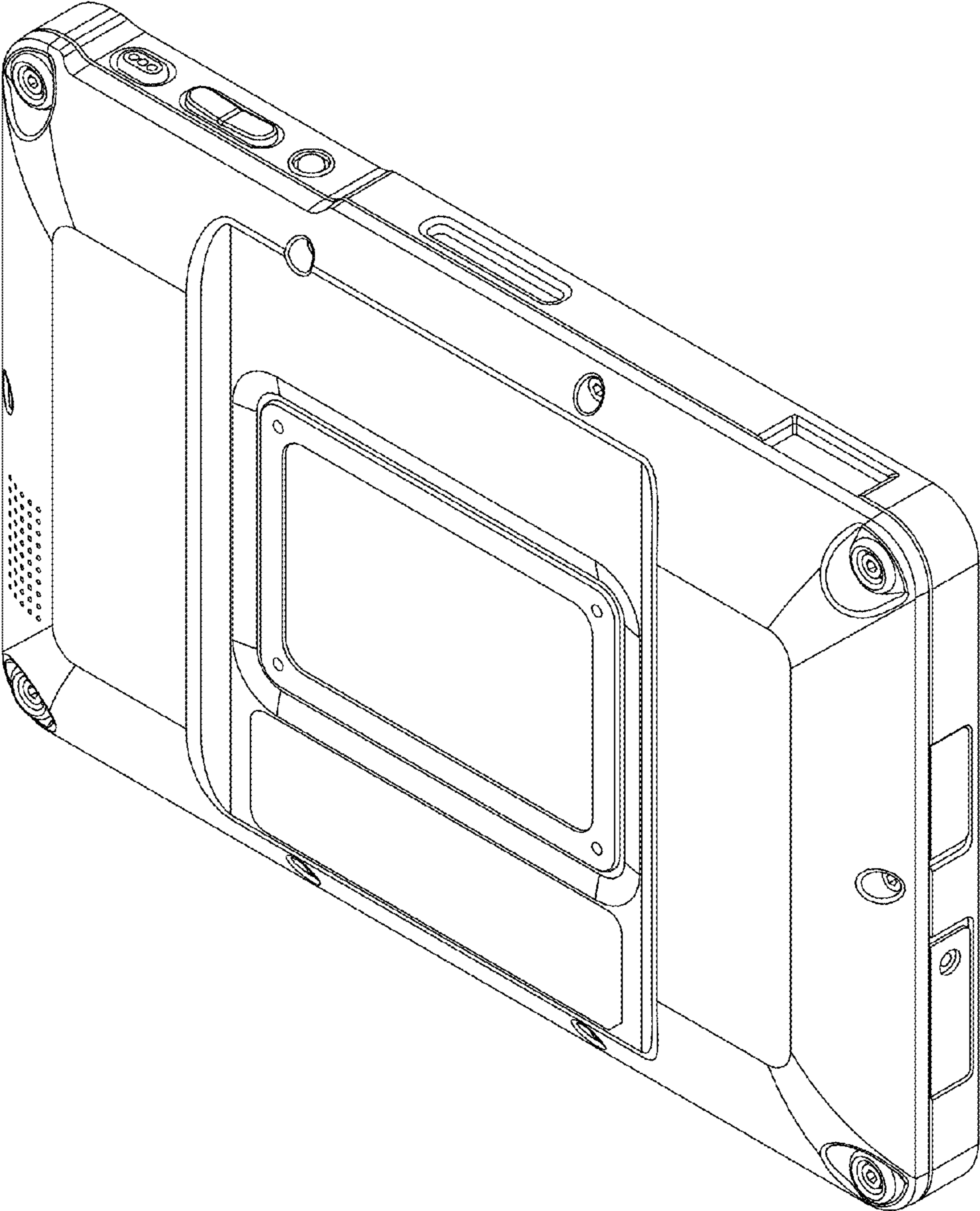


FIG.36

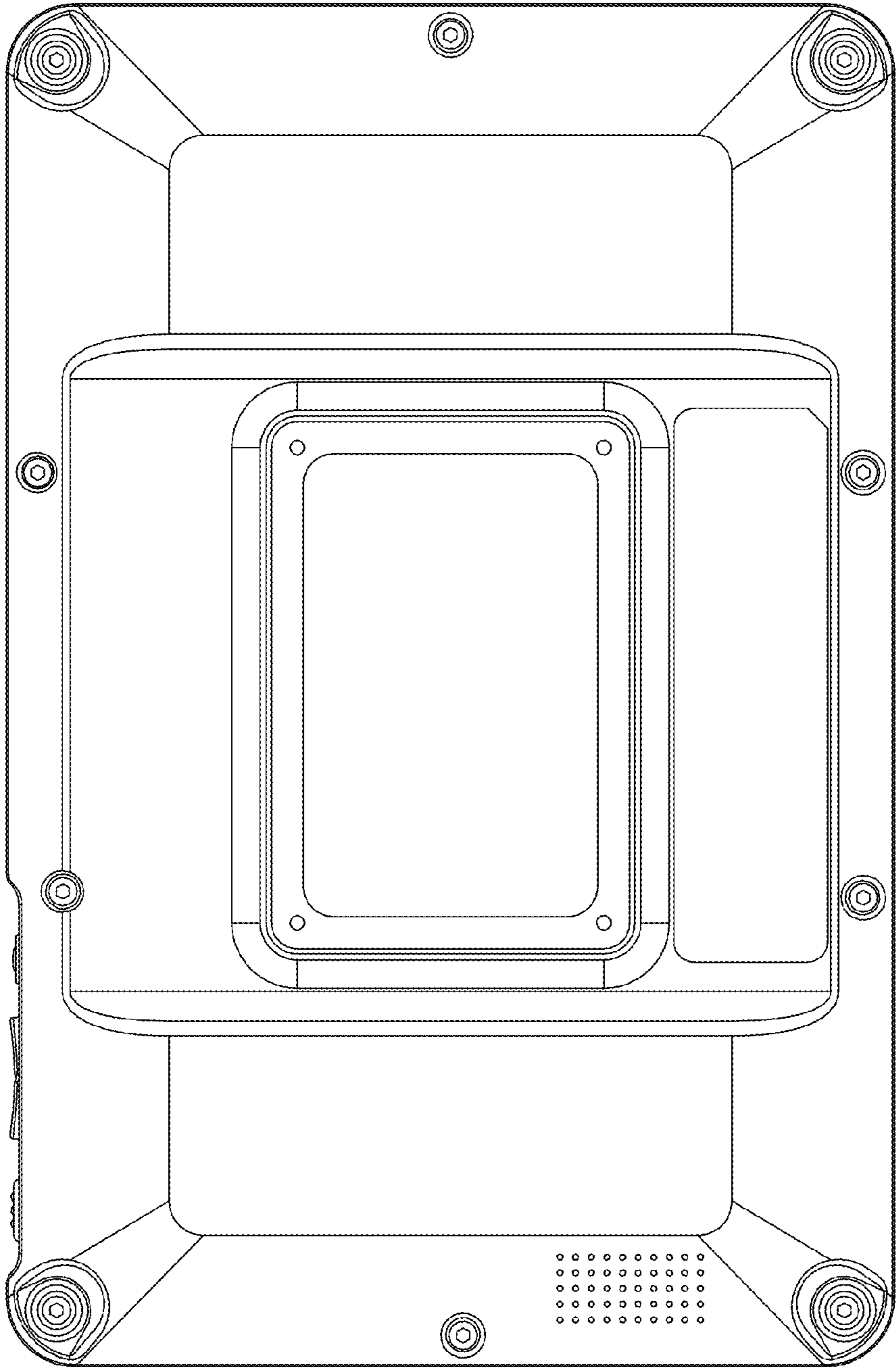


FIG.37

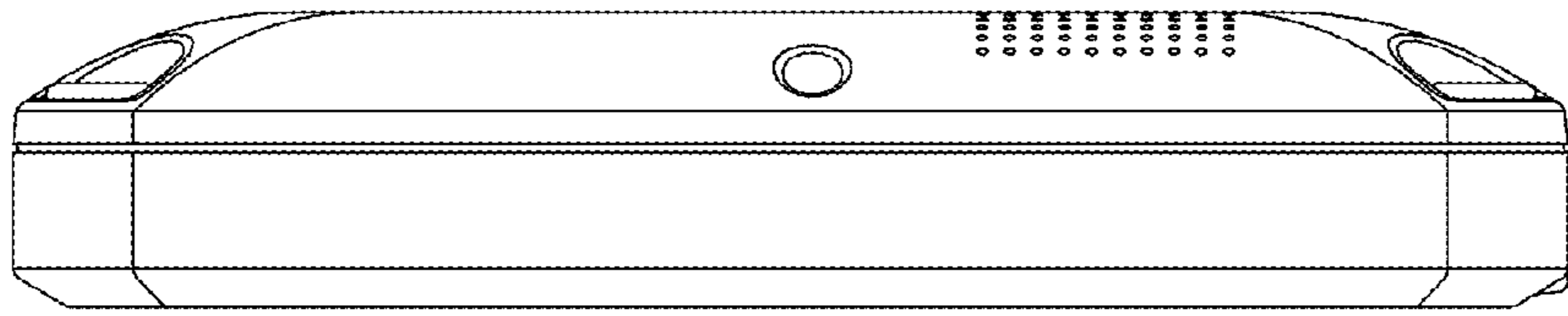


FIG. 39

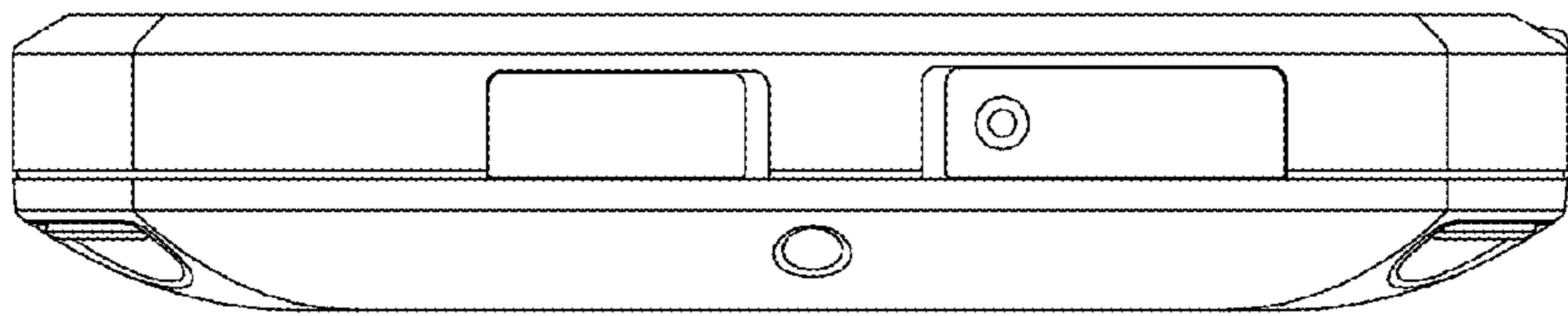


FIG. 38

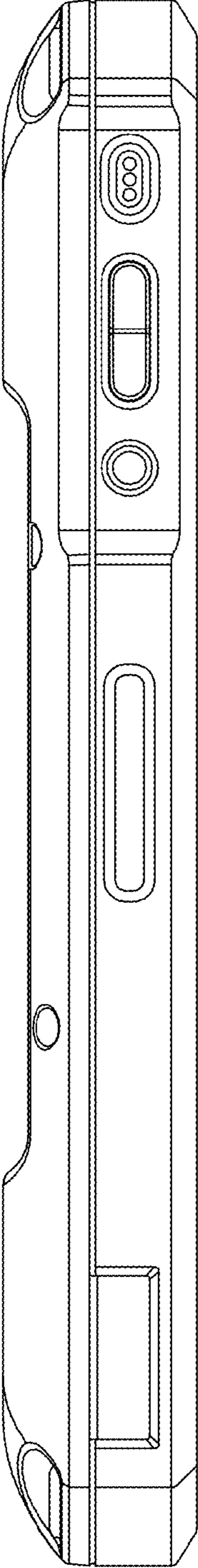


FIG.40

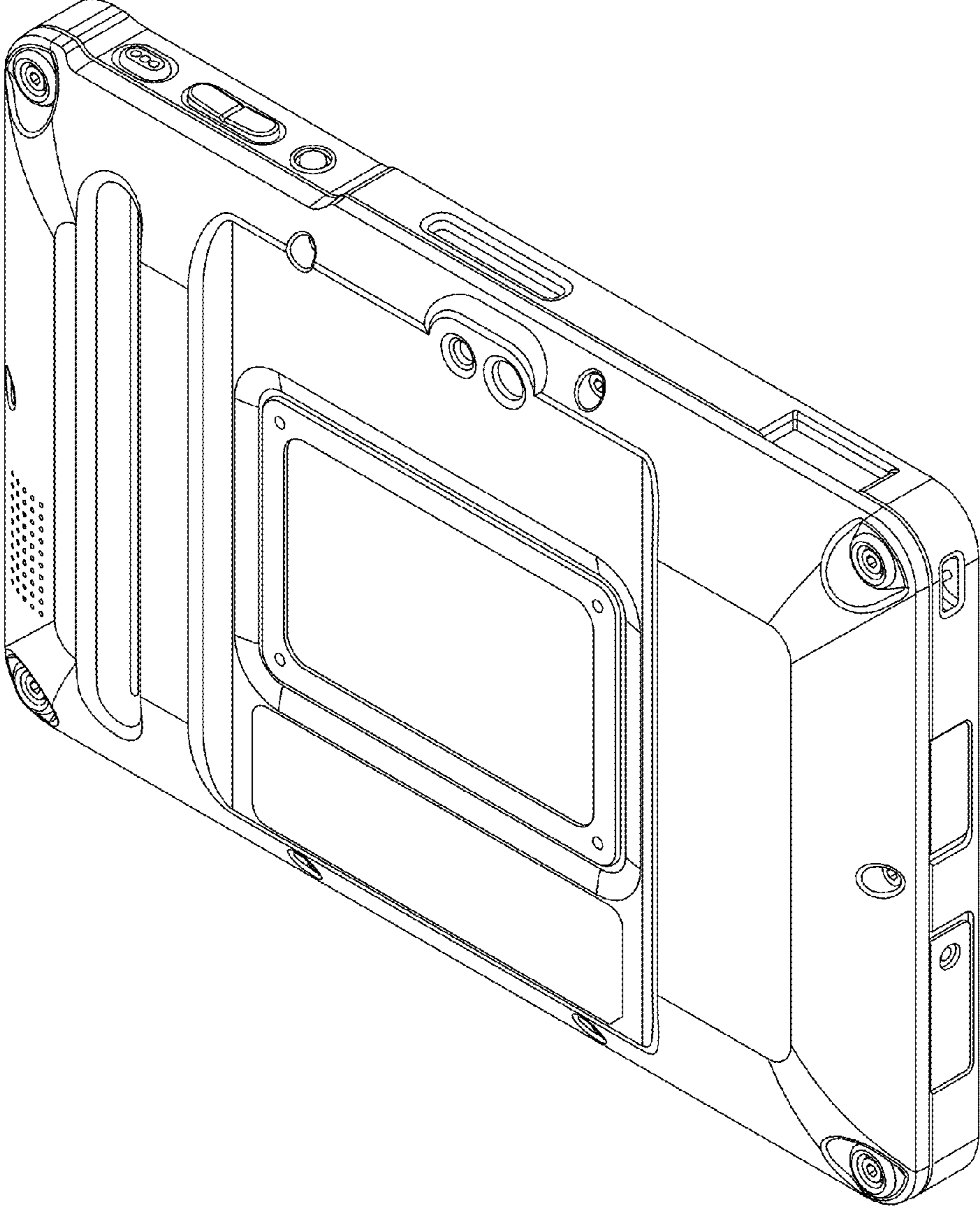


FIG.41

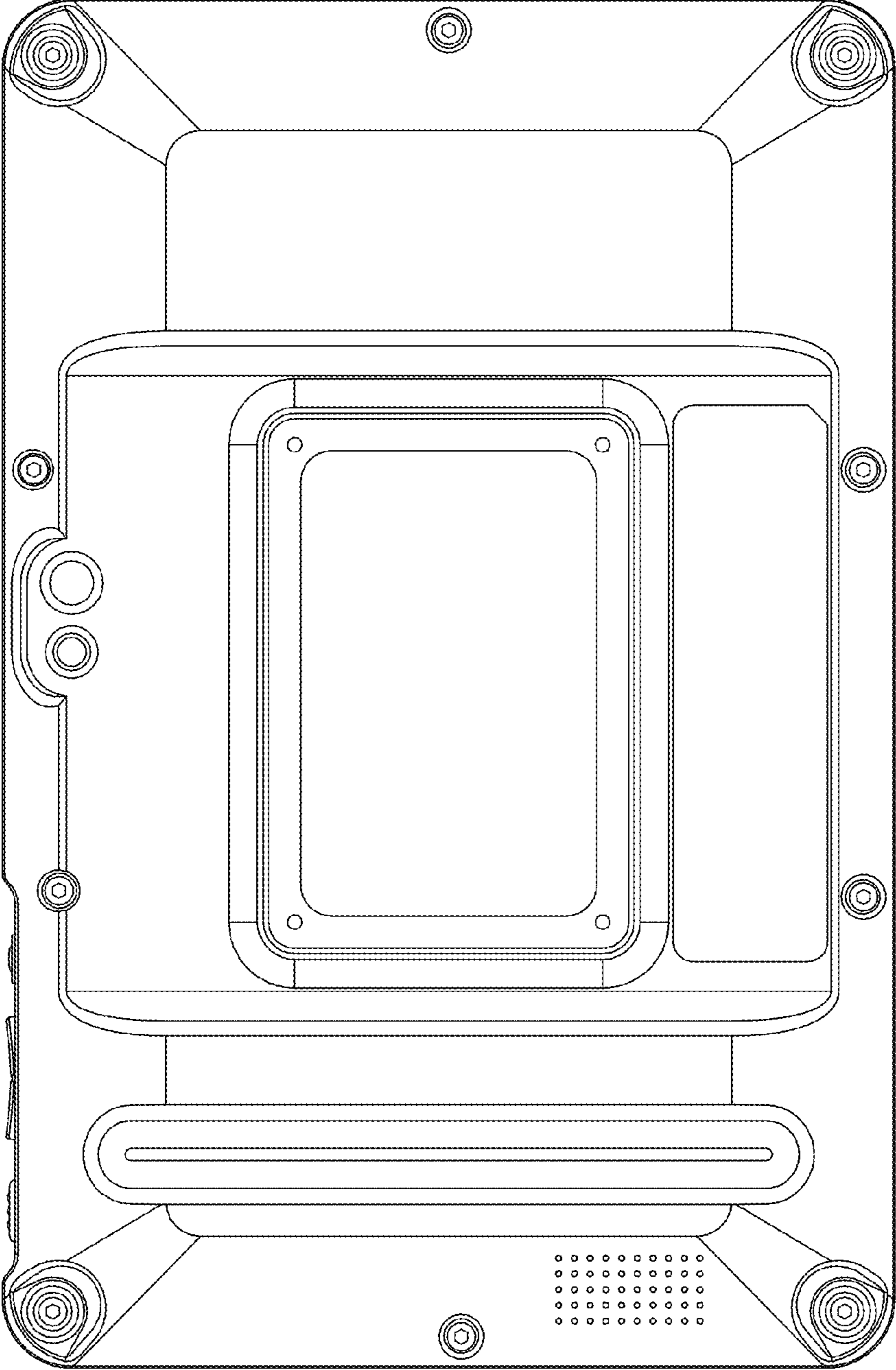


FIG.42

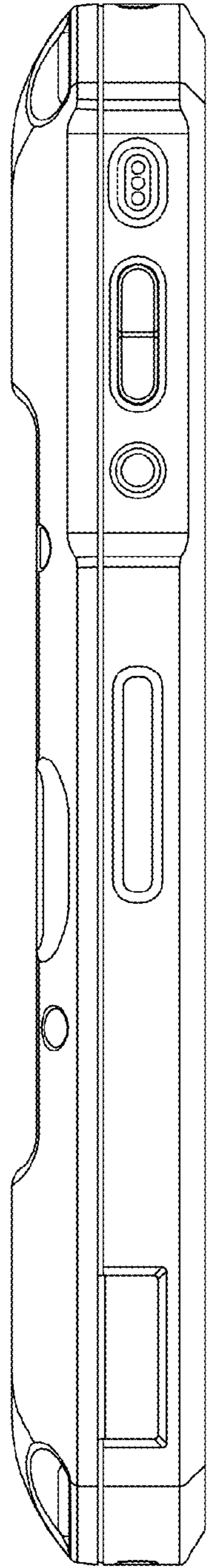


FIG. 43

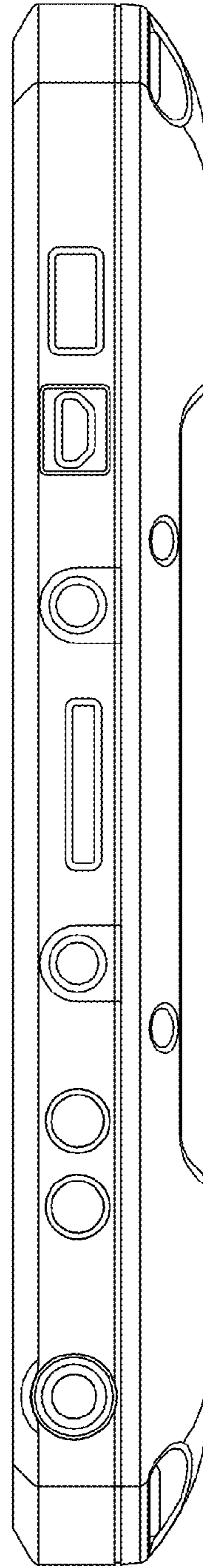


FIG. 44

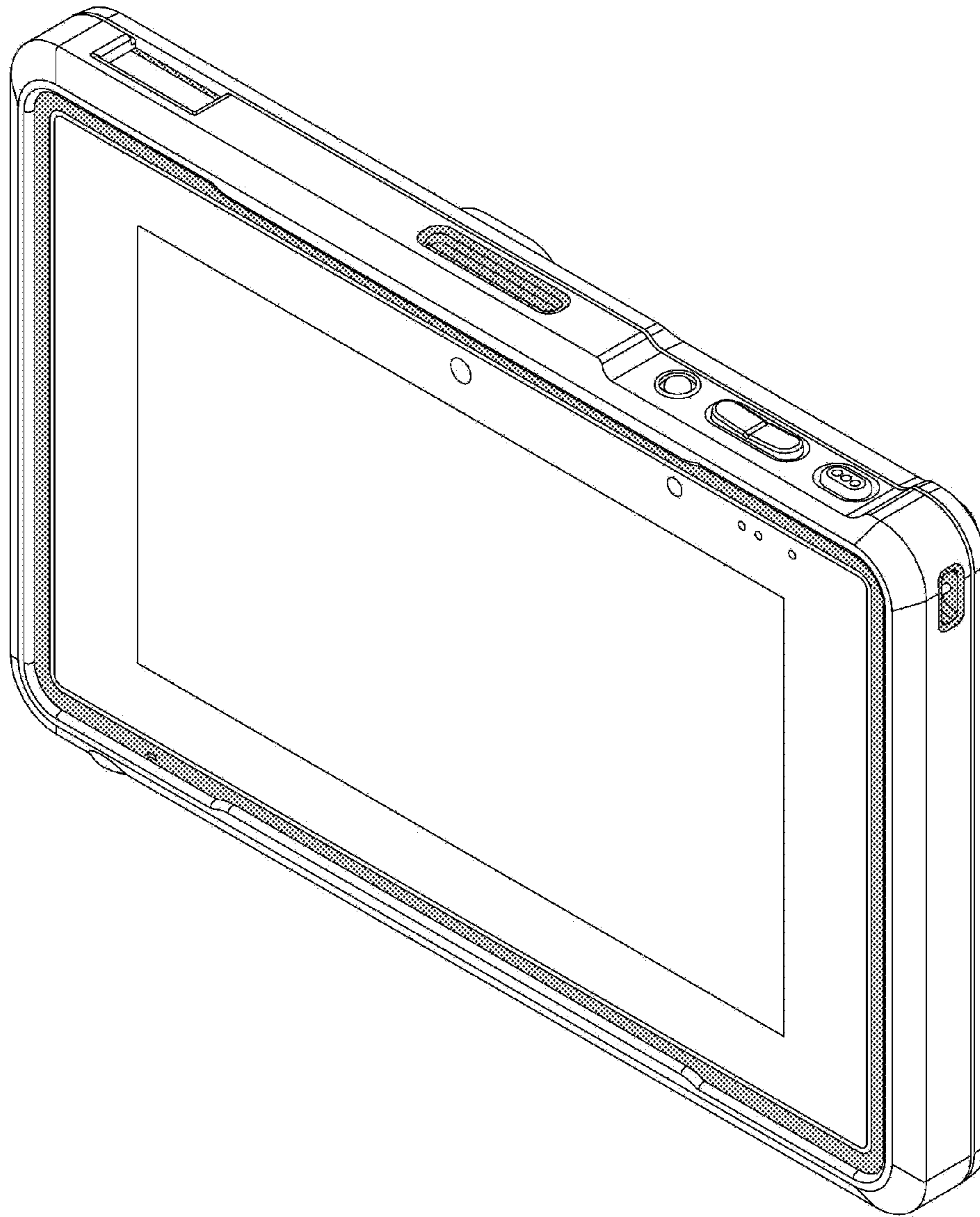


FIG.45

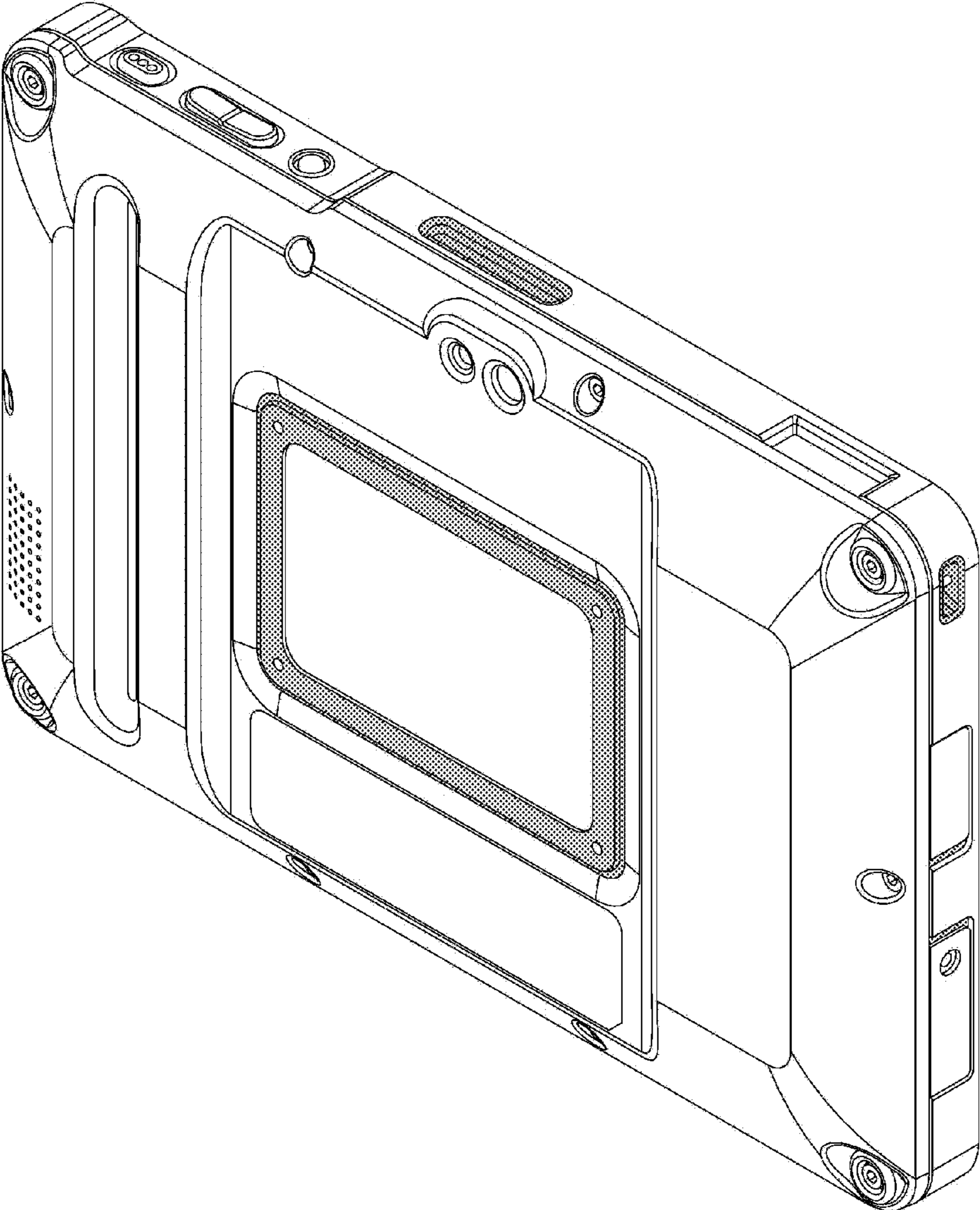


FIG.46

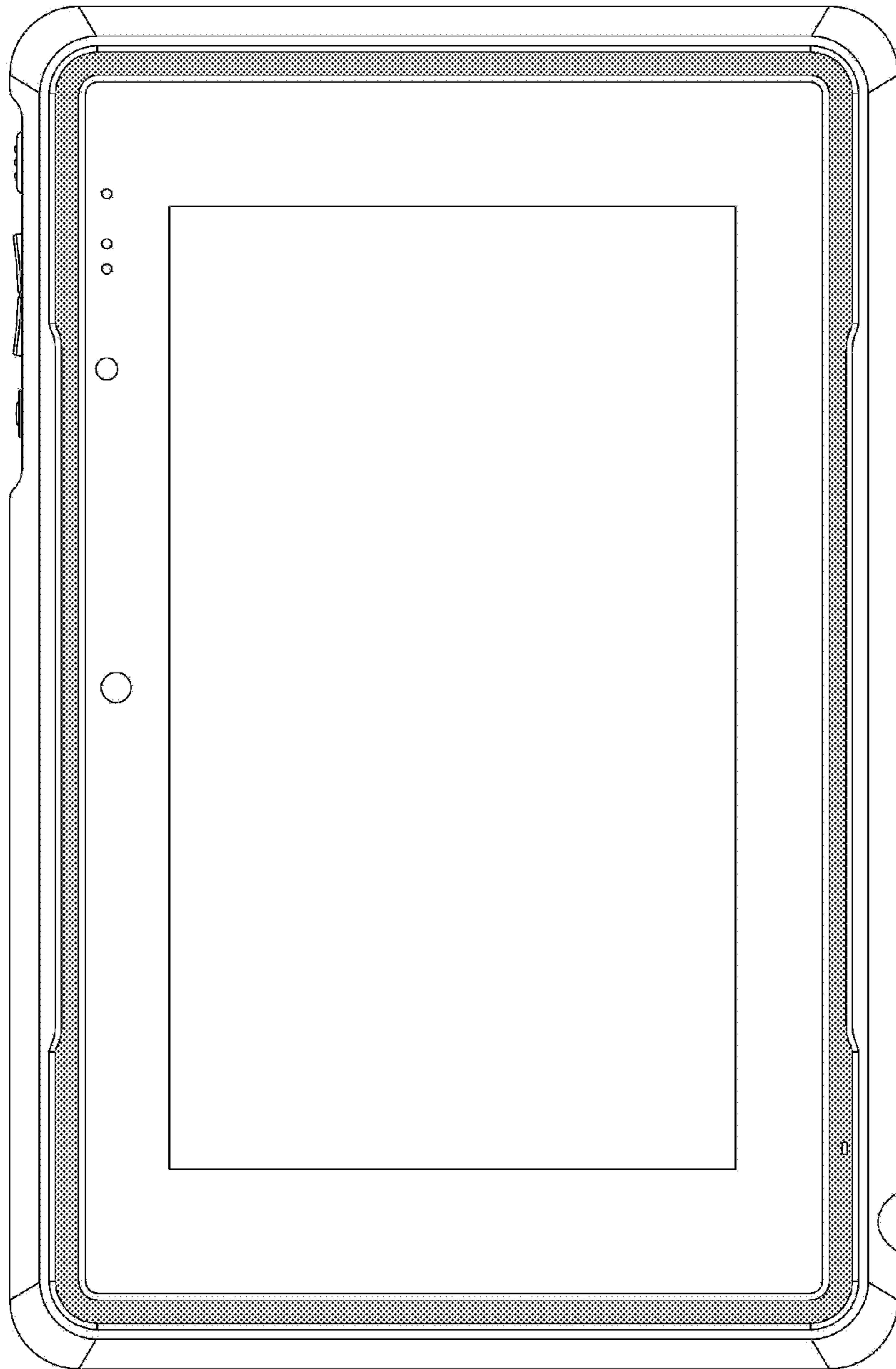


FIG.47

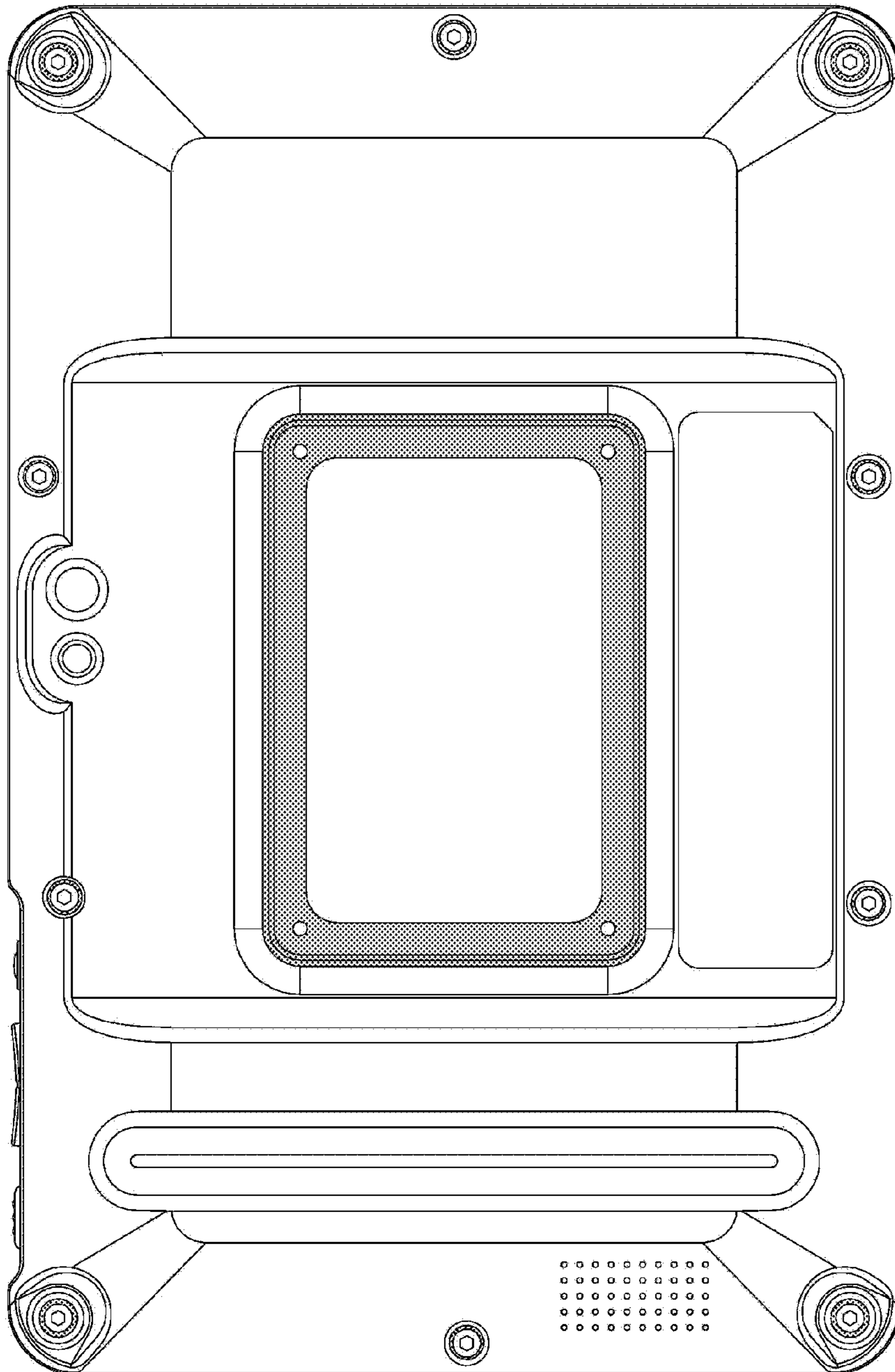


FIG.48

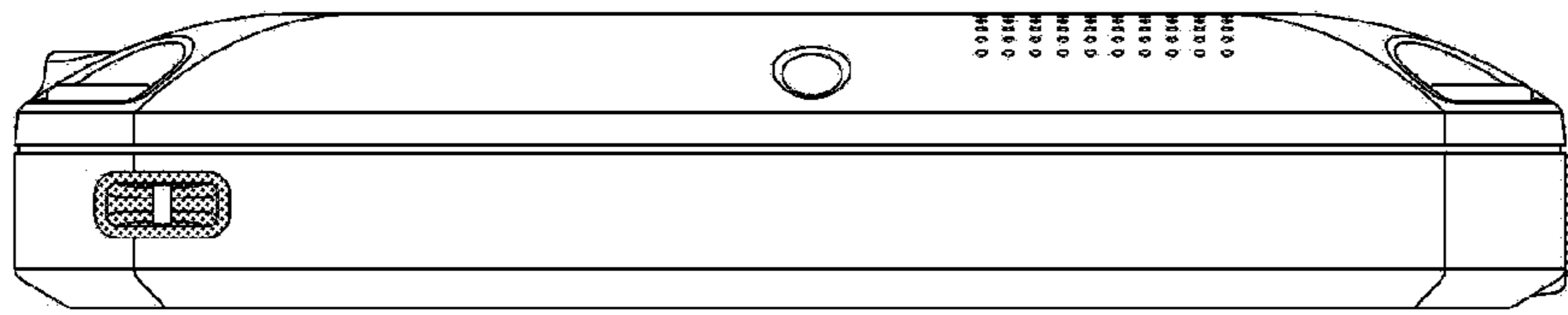


FIG. 50

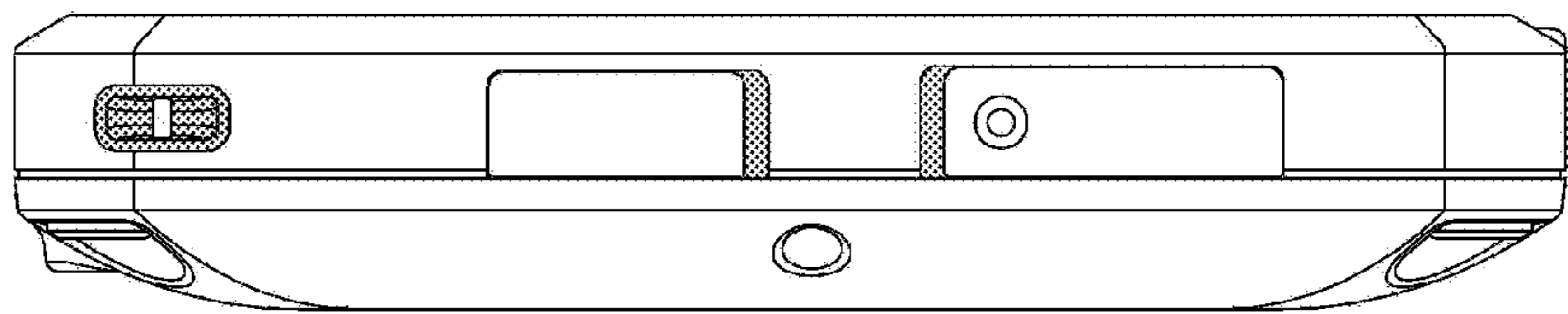


FIG. 49

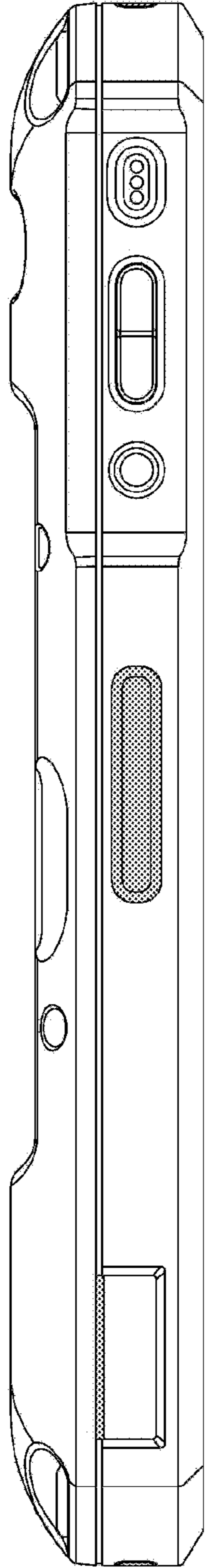


FIG. 51

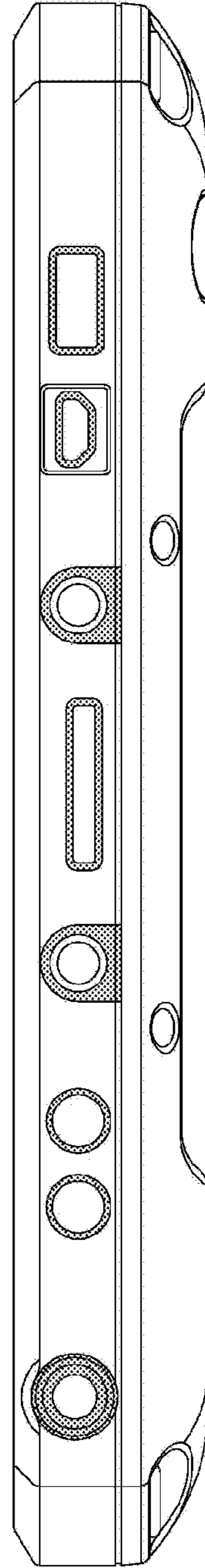


FIG. 52