



US00D694750S

(12) **United States Design Patent**  
**Shin et al.**

(10) **Patent No.:** **US D694,750 S**  
(45) **Date of Patent:** **\*\* Dec. 3, 2013**

(54) **COMPUTER WITH MONITOR**

(71) Applicant: **LG Electronics Inc.**, Seoul (KR)

(72) Inventors: **Jongyoun Shin**, Gunpo-si (KR);  
**Byungmu Huh**, Seoul (KR); **Boyeun Park**, Seoul (KR)

(73) Assignee: **LG Electronics Inc.**, Seoul (KR)

(\*\*) Term: **14 Years**

(21) Appl. No.: **29/440,045**

(22) Filed: **Dec. 18, 2012**

(30) **Foreign Application Priority Data**

Jul. 6, 2012 (KR) ..... 30-2012-0032965

(51) **LOC (9) Cl.** ..... **14-02**

(52) **U.S. Cl.**  
USPC ..... **D14/337**

(58) **Field of Classification Search**  
USPC ..... D14/371-375, 125-129, 336, 337;  
341/12; 345/104, 156, 168, 173;  
348/180, 184, 325, 739; 349/1, 2, 11,  
349/62; 361/679.05-679.07, 679.21;  
D6/300, 308

See application file for complete search history.

(56) **References Cited**

U.S. PATENT DOCUMENTS

D458,927	S	*	6/2002	Wang et al.	.....	D14/375
D556,755	S	*	12/2007	Lee et al.	.....	D14/375
7,336,478	B2	*	2/2008	Jang	.....	361/679.27
D570,841	S	*	6/2008	Kim et al.	.....	D14/375
D592,621	S	*	5/2009	Han	.....	D14/126
D600,696	S	*	9/2009	Andre et al.	.....	D14/371
D648,336	S	*	11/2011	Yagi	.....	D14/374
2005/0041379	A1	*	2/2005	Jang	.....	361/681
2006/0237599	A1	*	10/2006	Ternus et al.	.....	248/176.1

\* cited by examiner

*Primary Examiner* — Freda S Nunn

(74) *Attorney, Agent, or Firm* — Birch, Stewart, Kolasch & Birch, LLP

(57) **CLAIM**

The ornamental design for a computer with monitor, as shown and described.

**DESCRIPTION**

FIG. 1 is a perspective view of a computer with monitor showing our new design;  
FIG. 2 is a front view thereof;  
FIG. 3 is a rear view thereof;  
FIG. 4 is a left side view thereof;  
FIG. 5 is a right side view thereof;  
FIG. 6 is a top plan view thereof;  
FIG. 7 is a bottom plan view thereof; and,  
FIG. 8 is a rear perspective view thereof.

**1 Claim, 8 Drawing Sheets**

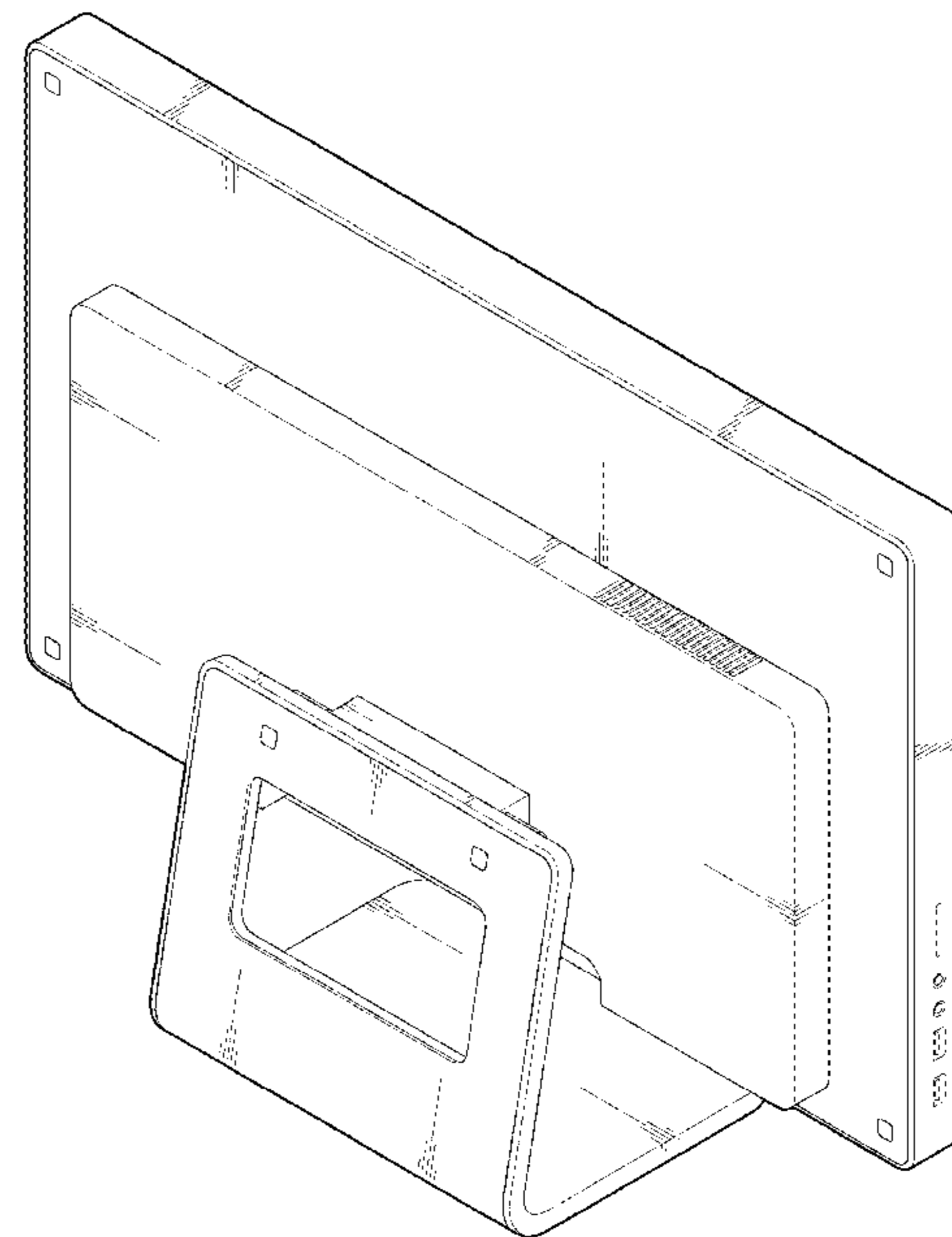
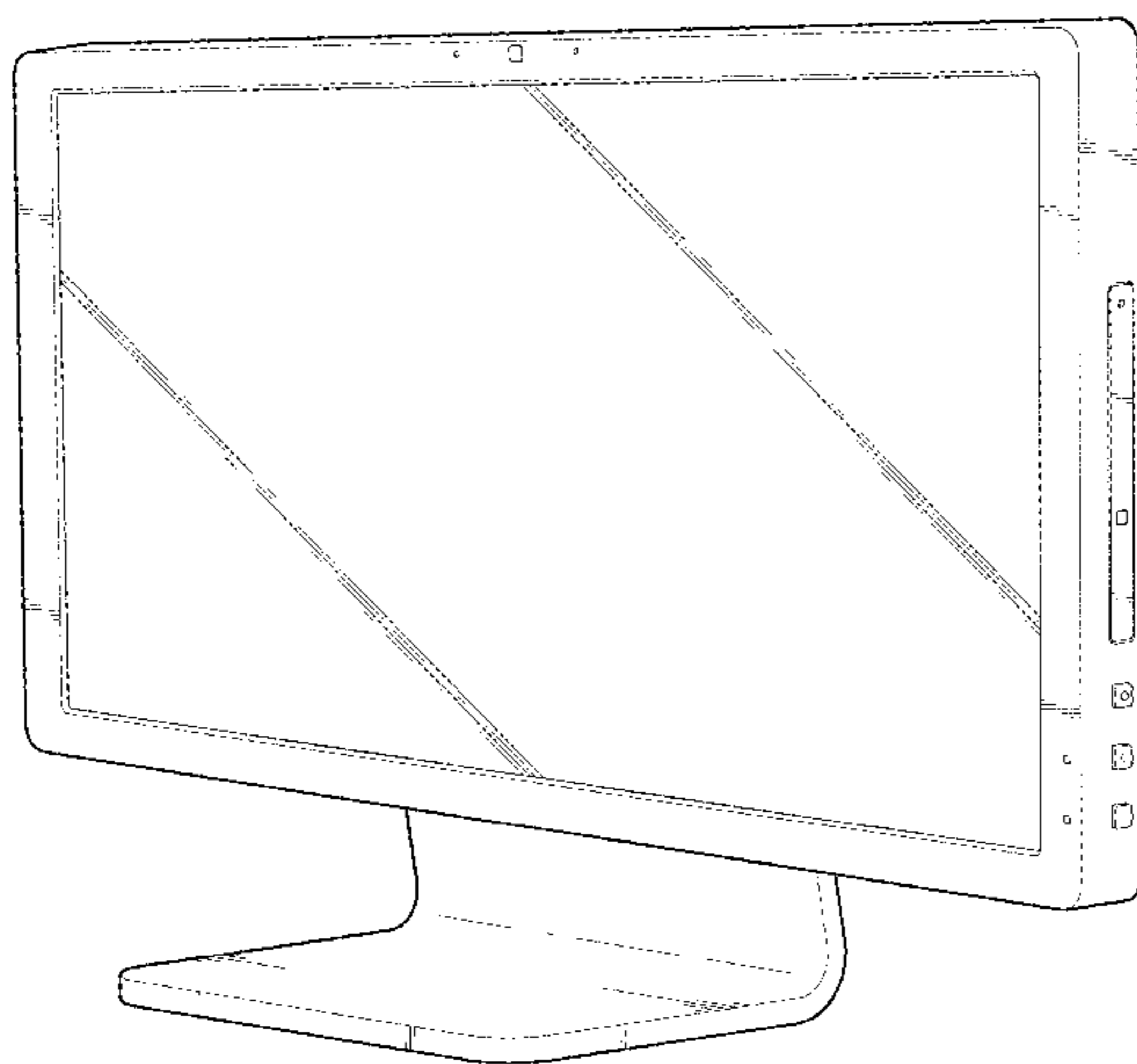


FIG. 1

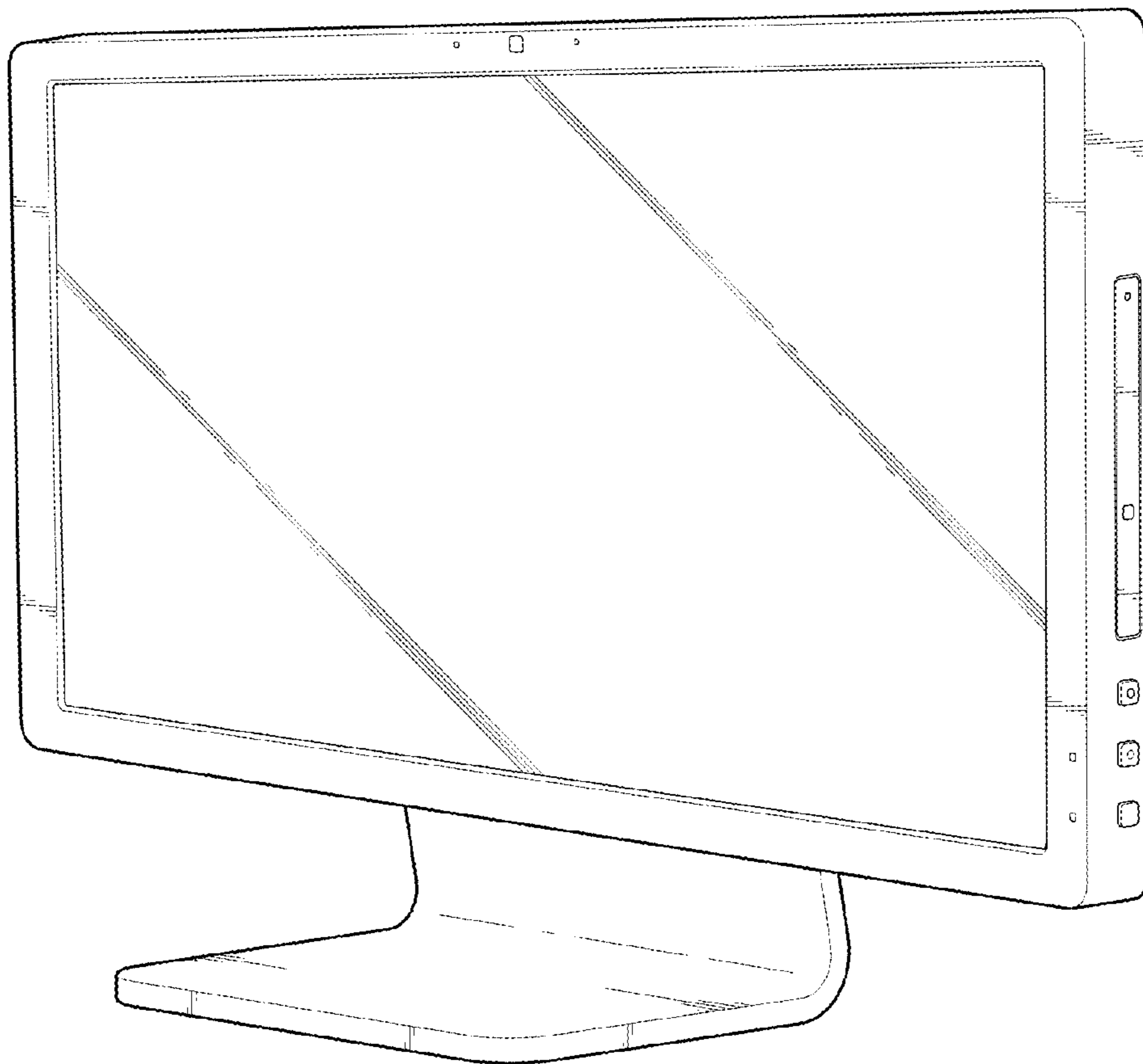


FIG. 2

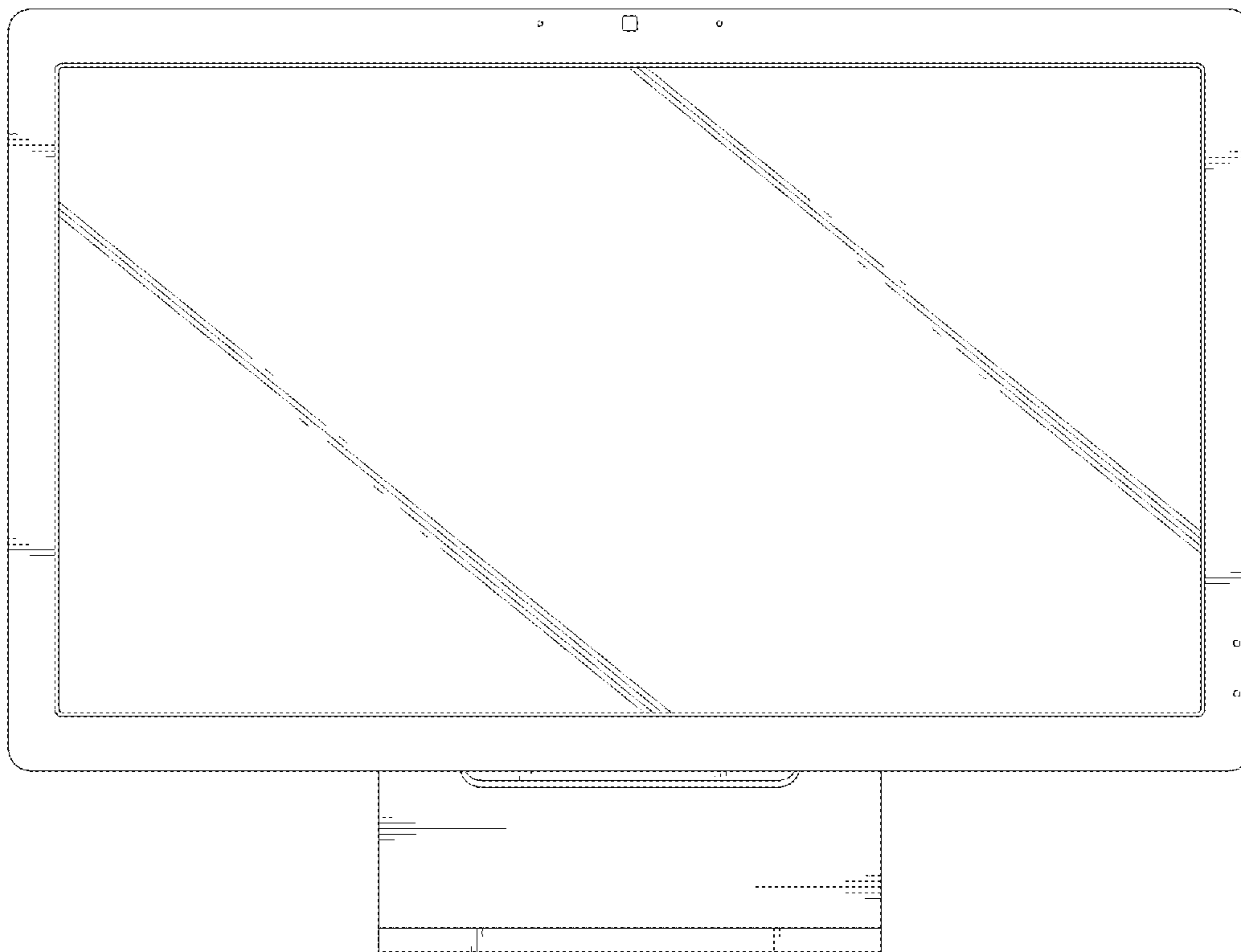


FIG. 3

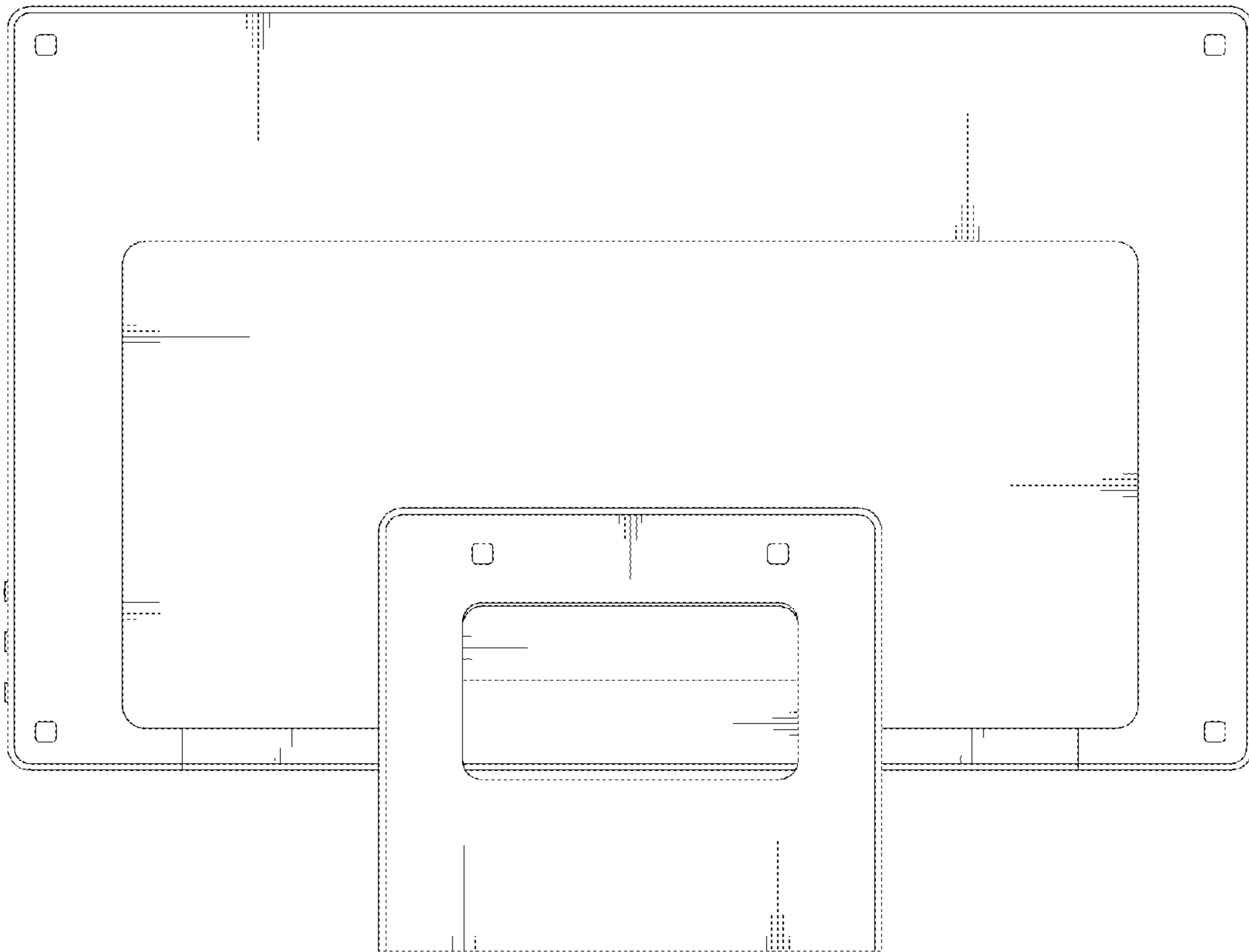


FIG. 4

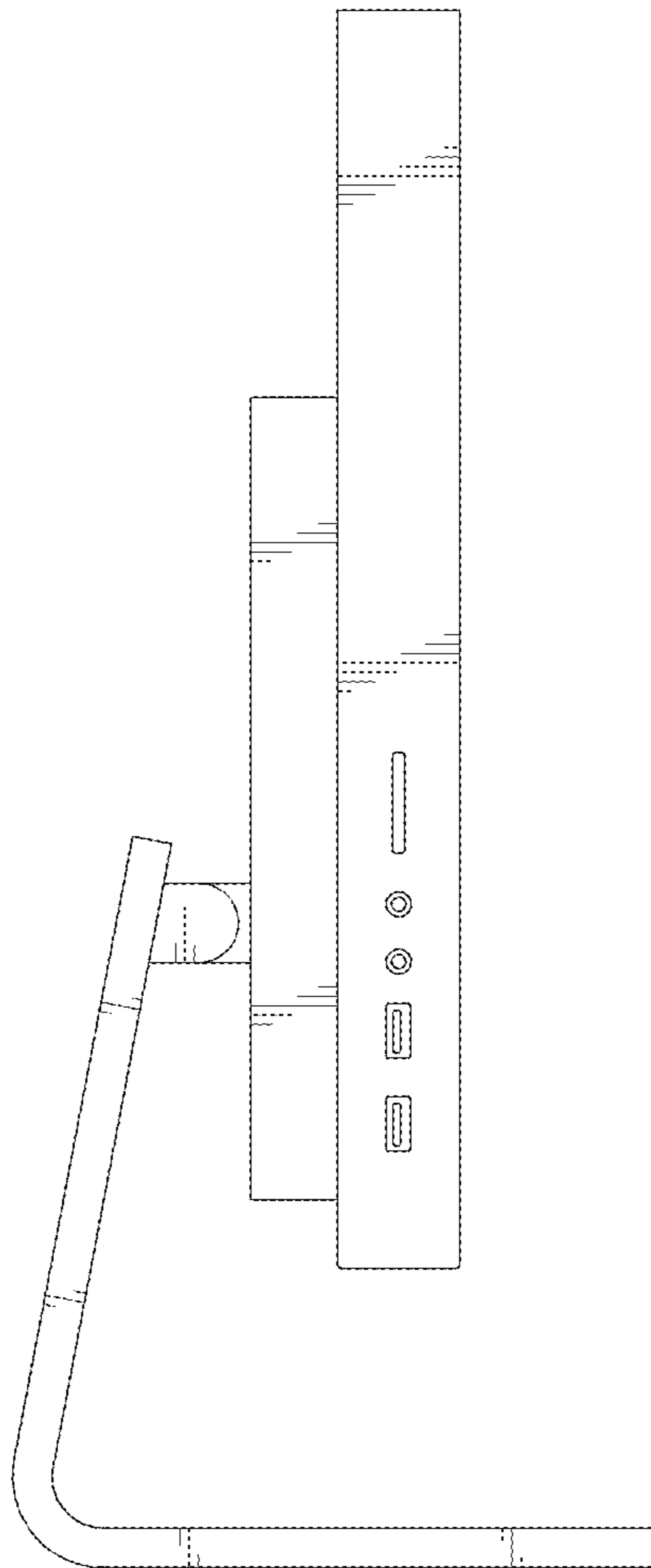


FIG. 5

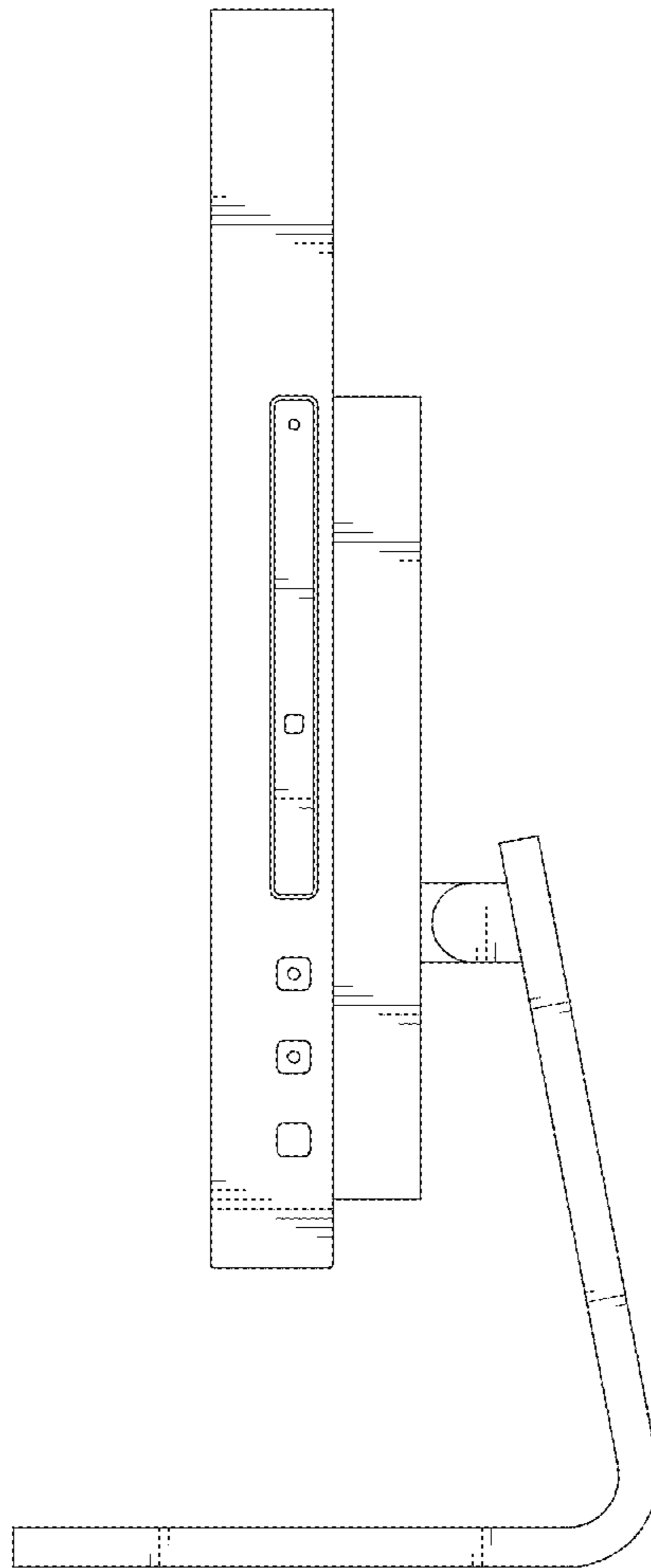


FIG. 6

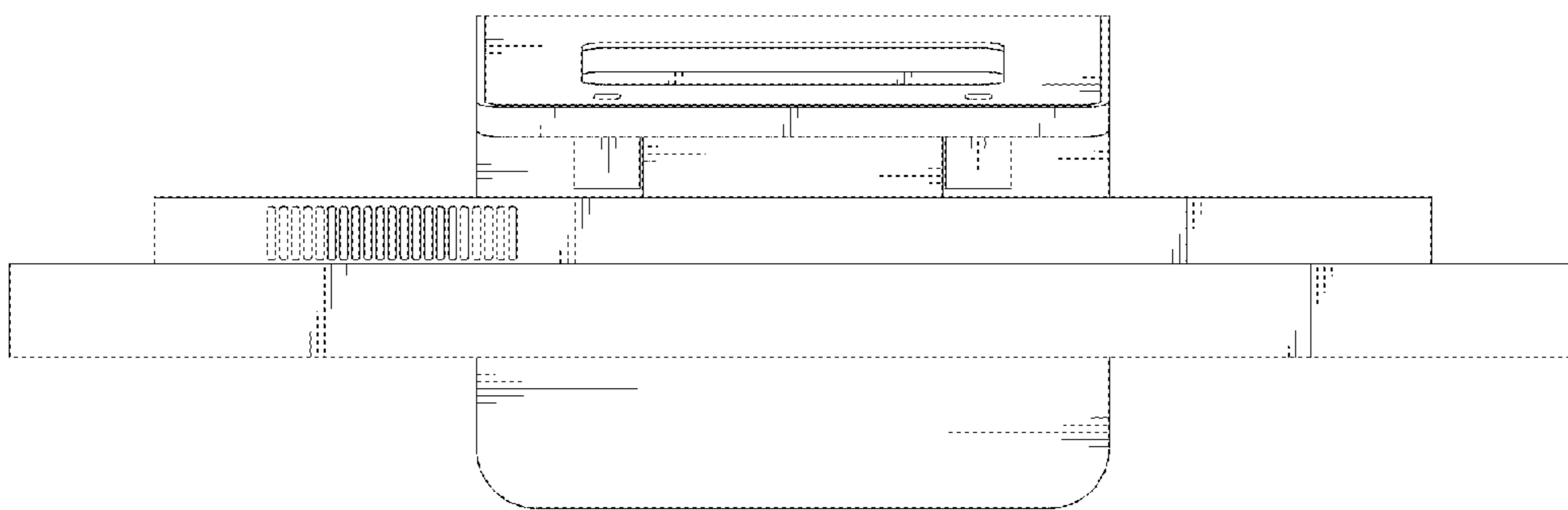


FIG. 7

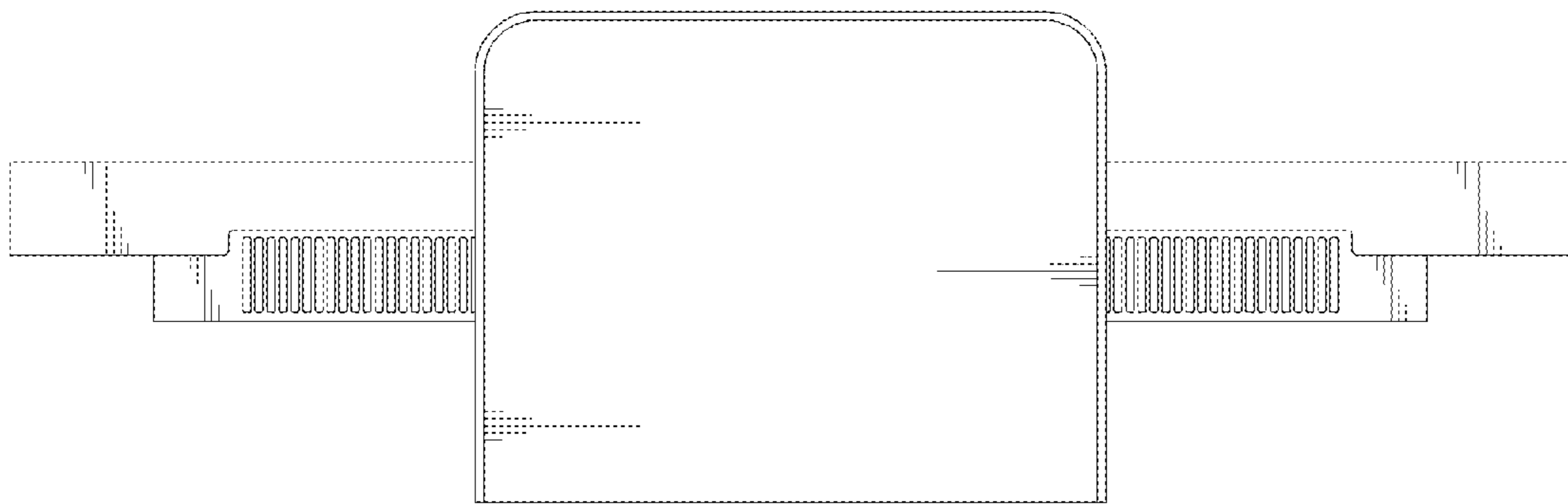




FIG. 8

