

US00D694748S

(12) **United States Design Patent**
Okuley et al.

(10) **Patent No.:** **US D694,748 S**
(45) **Date of Patent:** **** Dec. 3, 2013**

(54) **ELECTRONIC DEVICE**

(75) Inventors: **James M. Okuley**, Portland, OR (US);
Kimi Jensen, Beaverton, OR (US)

(73) Assignee: **Intel Corporation**, Santa Clara, CA
(US)

(**) Term: **14 Years**

(21) Appl. No.: **29/428,400**

(22) Filed: **Jul. 30, 2012**

(51) **LOC (9) Cl.** **14-02**

(52) **U.S. Cl.**
USPC **D14/315**

(58) **Field of Classification Search**
USPC D14/315-327; D18/1, 2, 7, 11;
235/145 A, 145 R; 341/22, 23; 345/104,
345/156, 168, 169, 173; 361/679.08,
361/679.09, 679.11, 679.26, 679.27
See application file for complete search history.

(56) **References Cited**

U.S. PATENT DOCUMENTS

| | | | | | |
|-----------|------|---------|---------------|-------|------------|
| 5,548,478 | A * | 8/1996 | Kumar et al. | | 361/679.27 |
| D425,874 | S * | 5/2000 | Tanimura | | D14/318 |
| 6,091,600 | A | 7/2000 | Jeong | | |
| 6,785,128 | B1 * | 8/2004 | Yun | | 361/679.27 |
| 6,816,365 | B2 | 11/2004 | Hill et al. | | |
| D615,539 | S * | 5/2010 | Jen | | D14/315 |
| D616,883 | S * | 6/2010 | Denhez et al. | | D14/318 |

(Continued)

OTHER PUBLICATIONS

“Thunderbolt (interface)” retrieved Aug. 7, 2012 from Wikipedia at
http://en.wikipedia.org/wiki/Thunderbolt_%28interface%29 ; 7
pages.

(Continued)

Primary Examiner — Freda S Nunn

(74) *Attorney, Agent, or Firm* — Patent Capital Group

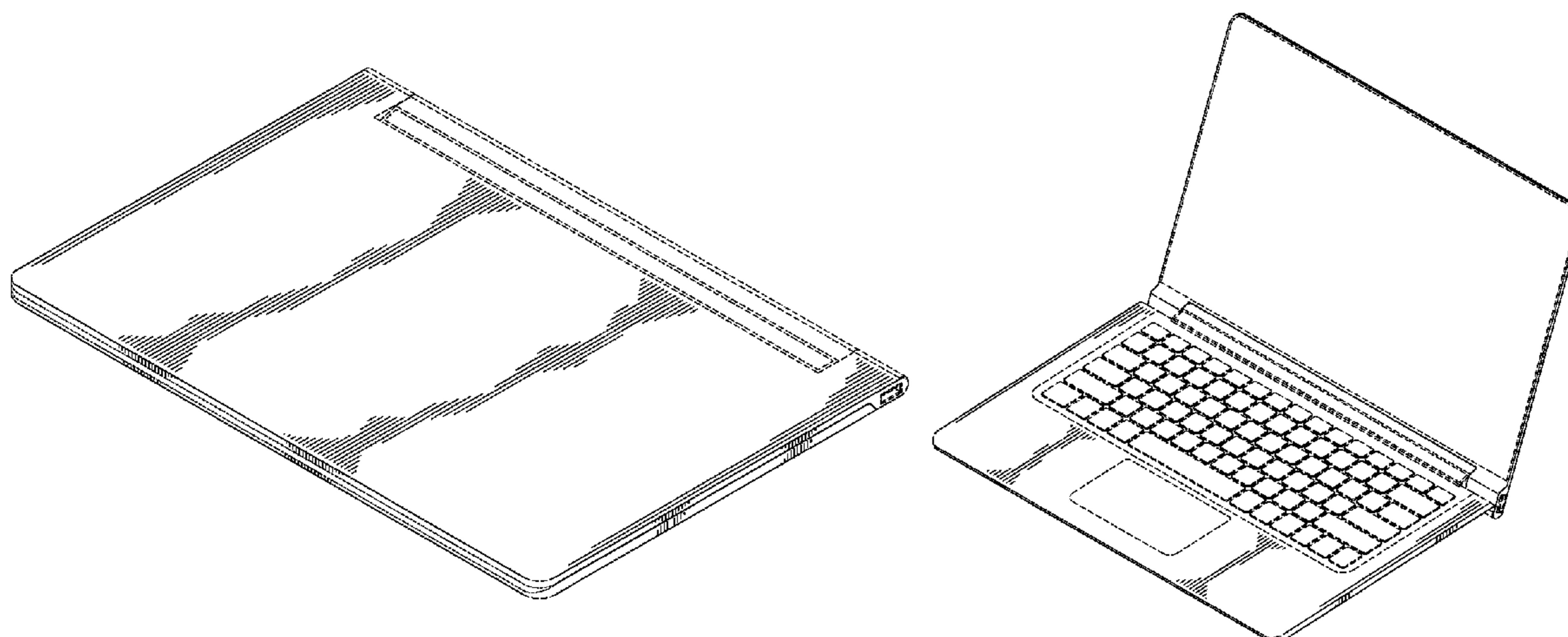
(57) **CLAIM**

The ornamental design for an electronic device, as shown and described.

DESCRIPTION

FIG. 1 is a perspective view illustrating an electronic device design according to one embodiment;
 FIG. 2 is a front view illustrating an electronic device design according to one embodiment;
 FIG. 3 is a back view illustrating an electronic device design according to one embodiment;
 FIG. 4 is a side view illustrating an electronic device design according to one embodiment;
 FIG. 5 is another side view illustrating an electronic device design according to one embodiment;
 FIG. 6 is a top view illustrating an electronic device design according to one embodiment;
 FIG. 7 is a bottom view illustrating an electronic device design according to one embodiment;
 FIG. 8 is a perspective view illustrating an electronic device design according to one embodiment;
 FIG. 9 is a front view illustrating an electronic device design according to one embodiment;
 FIG. 10 is a back view illustrating an electronic device design according to one embodiment;
 FIG. 11 is a side view illustrating an electronic device design according to one embodiment;
 FIG. 12 is another side view illustrating an electronic device design according to one embodiment;
 FIG. 13 is a top view illustrating an electronic device design according to one embodiment; and,
 FIG. 14 is a bottom view illustrating an electronic device design according to one embodiment.
 The broken lines shown immediately adjacent to the shaded areas in FIGS. 1 and 8 and also those shown immediately adjacent to the solid contour lines surrounding the unshaded region of the display window in FIGS. 8, 9, 13, represent the bounds of the claimed design, while all other broken lines are directed to environment and form no part of the claimed design.

1 Claim, 11 Drawing Sheets



(56)

References Cited

U.S. PATENT DOCUMENTS

D631,472 S * 1/2011 Kawase et al. D14/327
8,081,438 B2 12/2011 Karashima et al.
2005/0041378 A1* 2/2005 Hamada et al. 361/680

OTHER PUBLICATIONS

Nelson, Tom, "What is Thunderbolt High Speed I/O?", retrieved Aug. 7, 2012 from <http://macs.about.com/od/faq1/f/What-Is-Thunderbolt-High-Speed-I-O.htm> ; 2 pages.

Intel Corporation Technology Brief, "Thunderbolt Technology", copyright 2012. Retrieved Aug. 7, 2012 from <http://www.intel.com/content/dam/doc/technology-brief/thunderbolt-technology-brief.pdf> ; 4 pages.

VAIO 13.1" Z Series Laptop; retrieved Jul. 31, 2012 from <http://store.sony.com/webapp/wcs/stores/servlet/ProductDisplay?catalogId=10551&storeId=10151&langId=-1&productId=8198552921666449851#additionalImage1> , 3 pages.

* cited by examiner

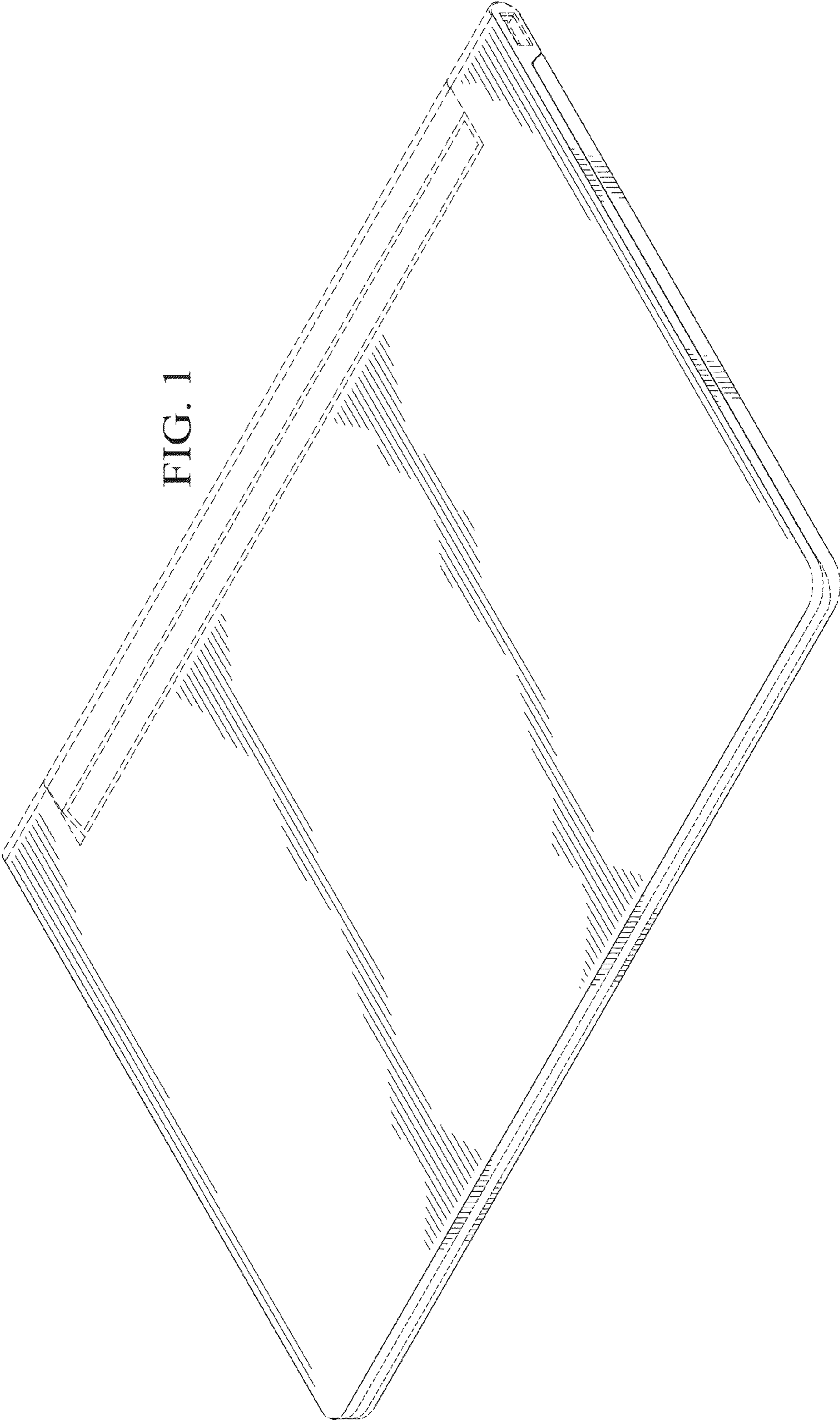


FIG. 1

FIG. 2



FIG. 3

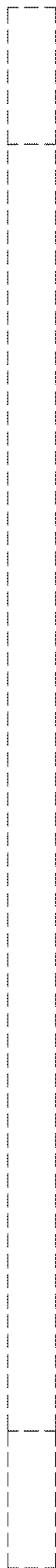


FIG. 4

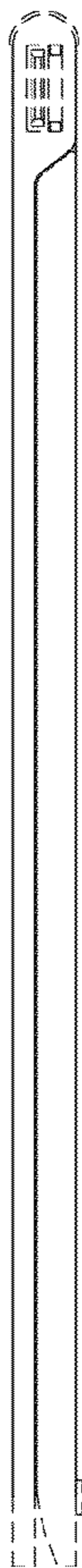


FIG. 5

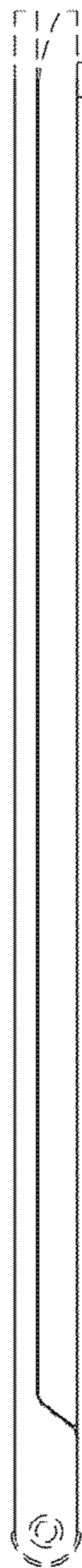


FIG. 6

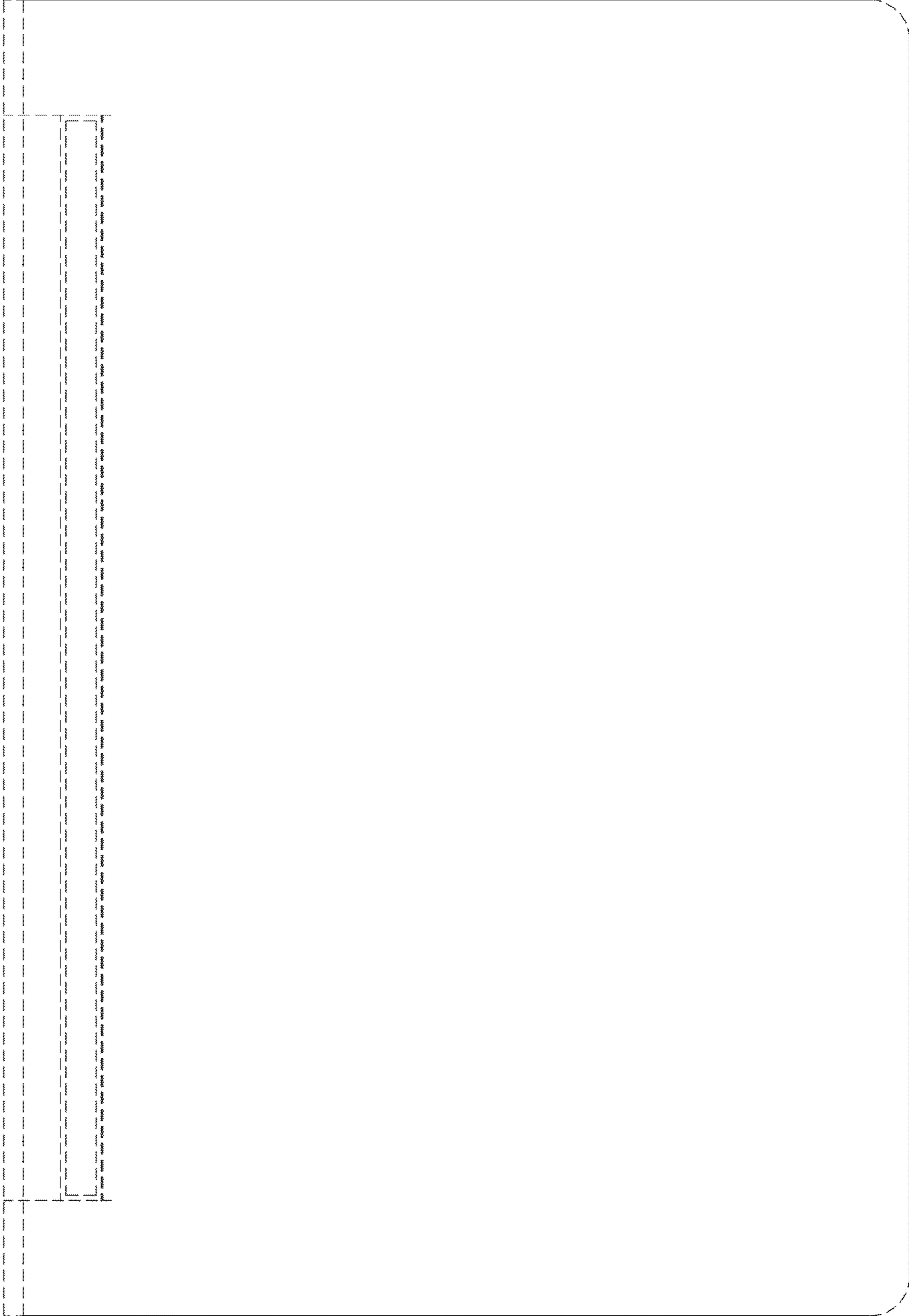


FIG. 7



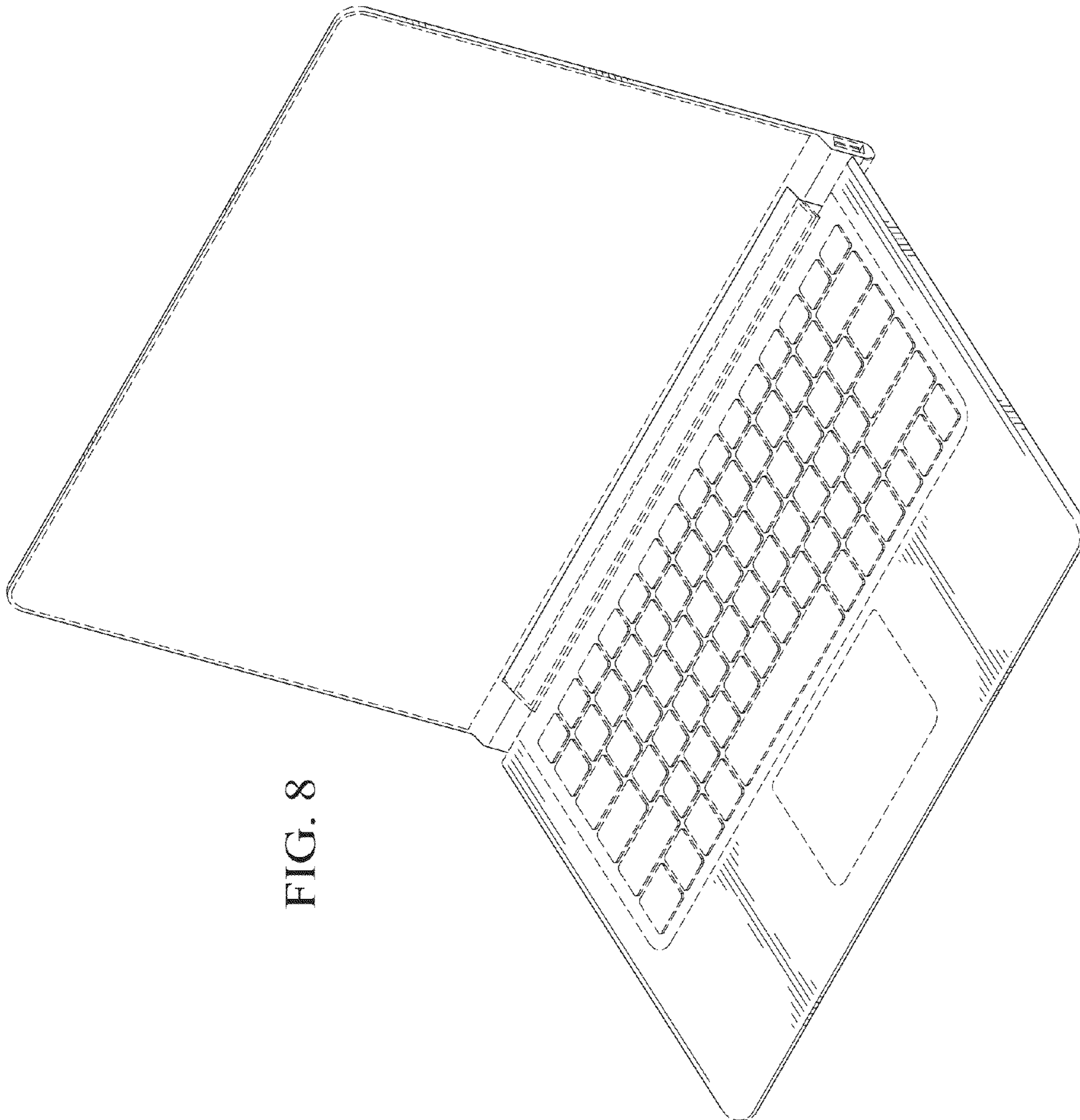


FIG. 8

FIG. 9

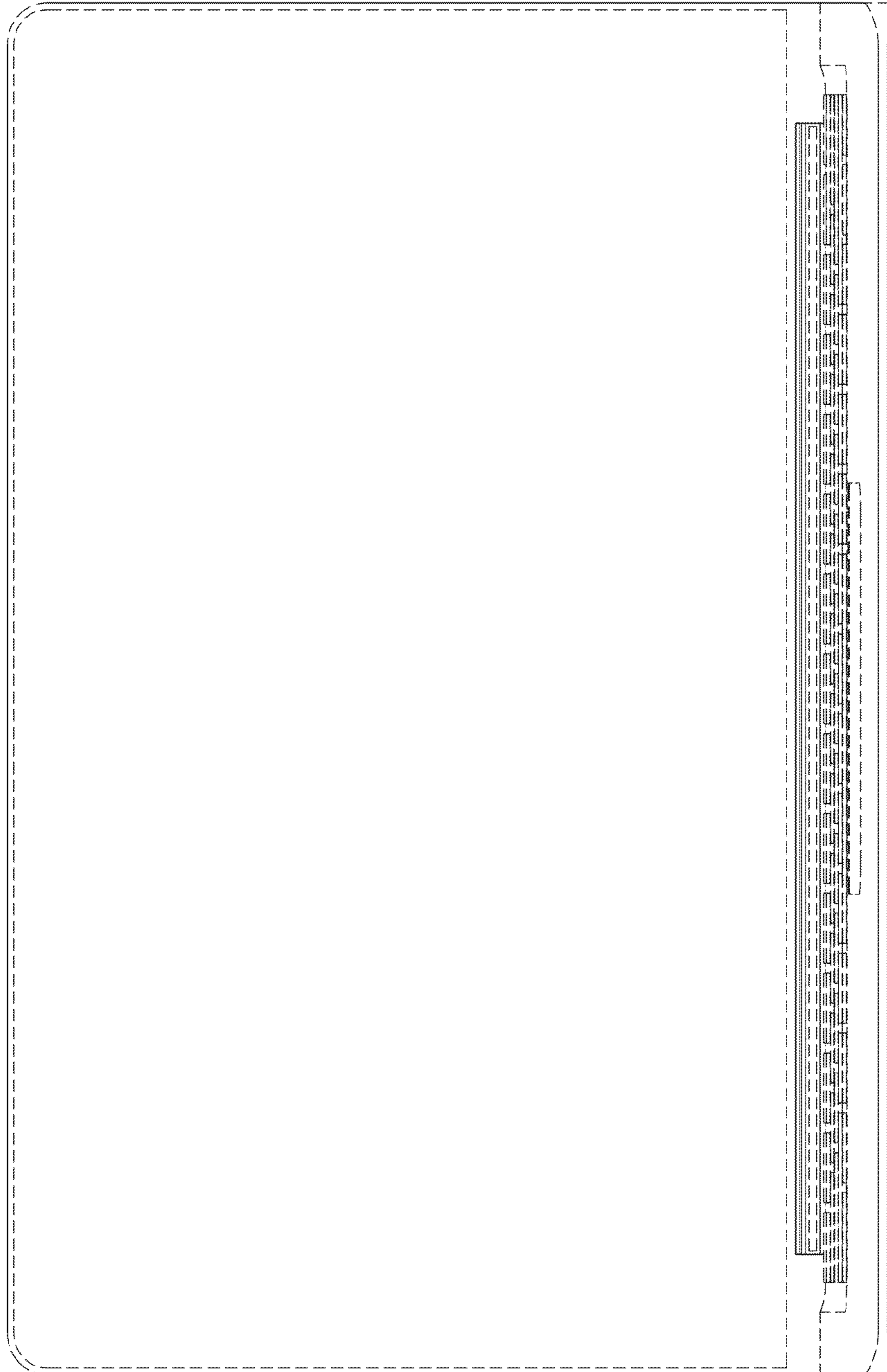
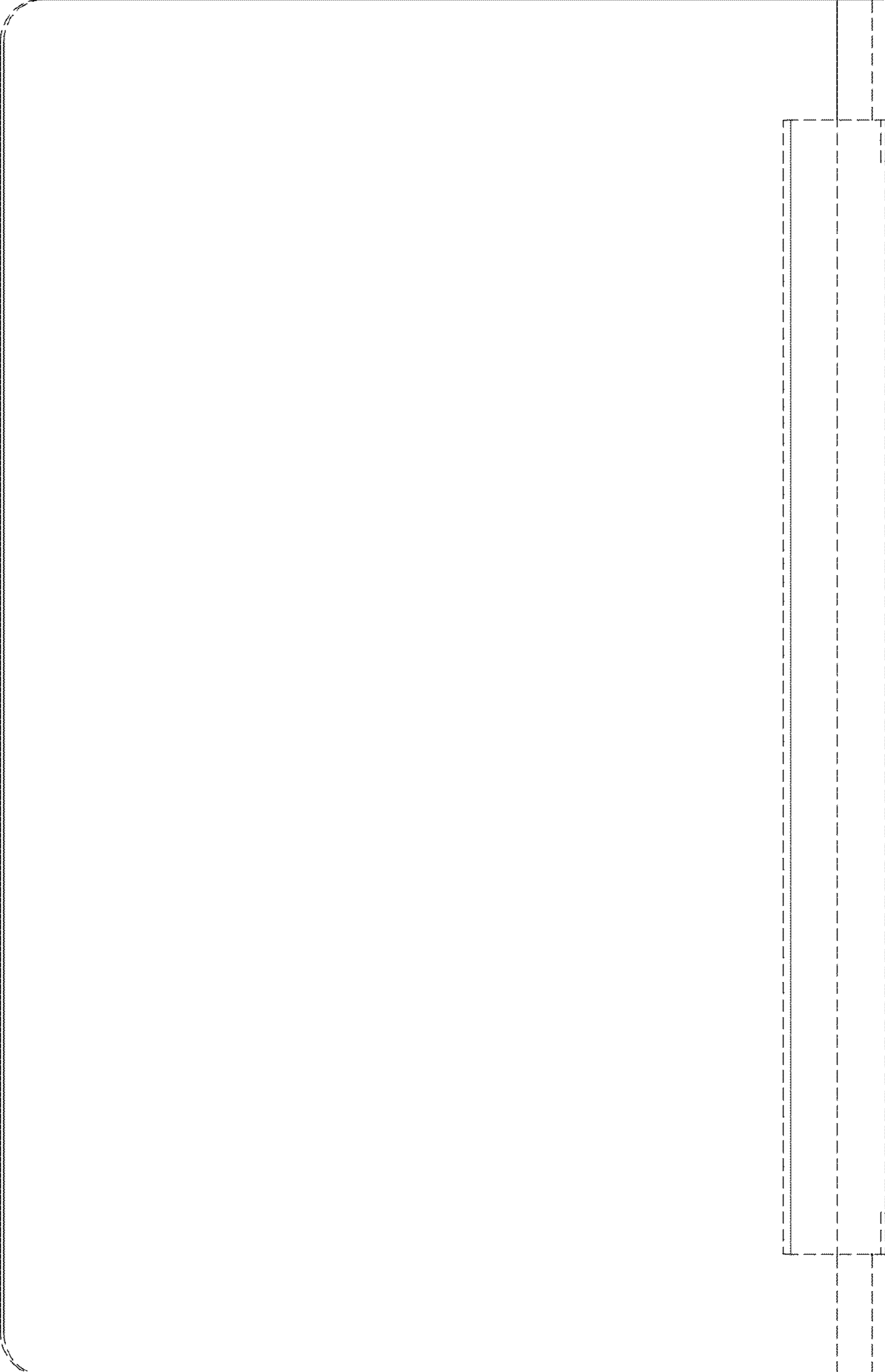


FIG. 10



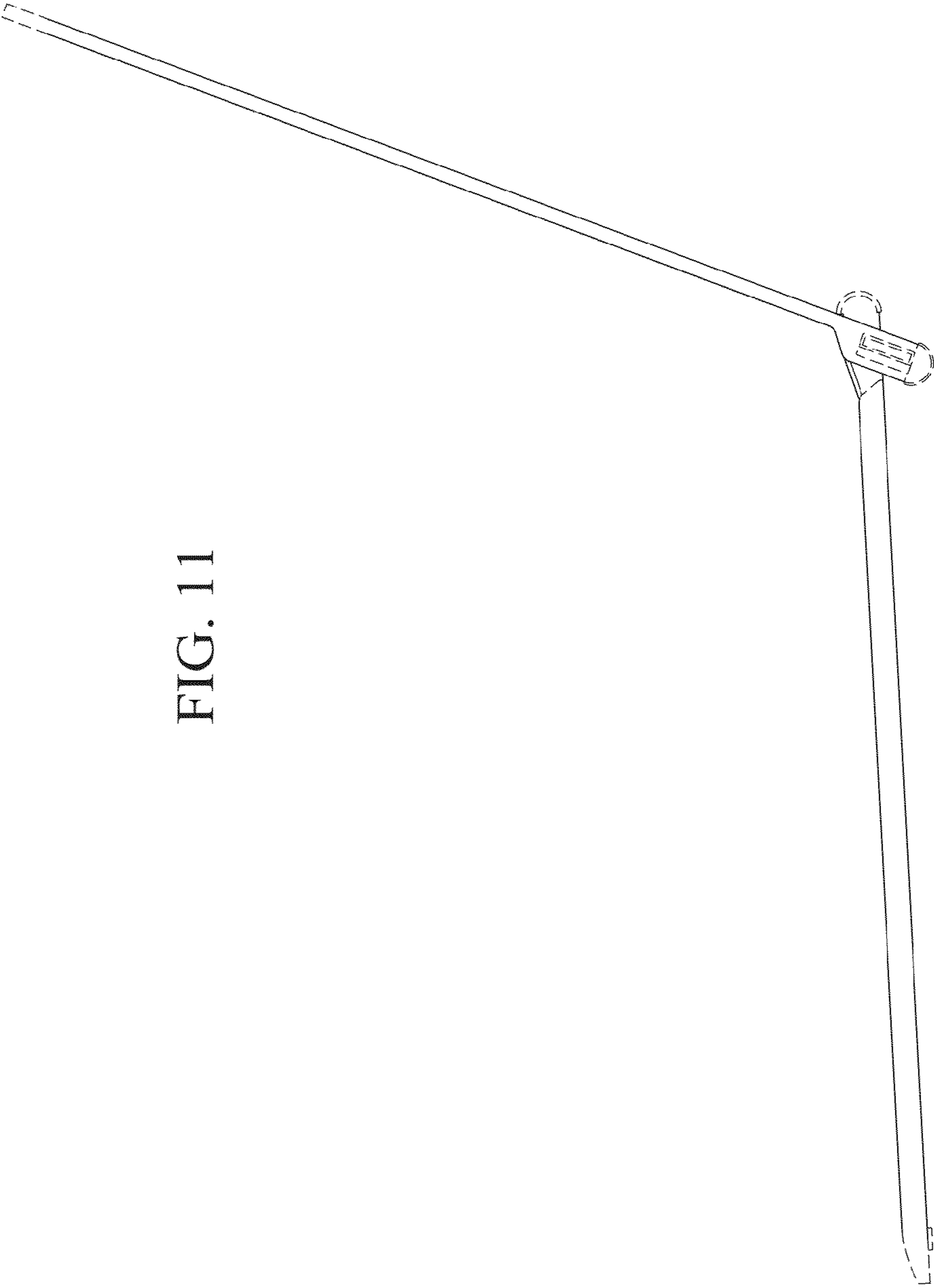


FIG. 11

FIG. 12

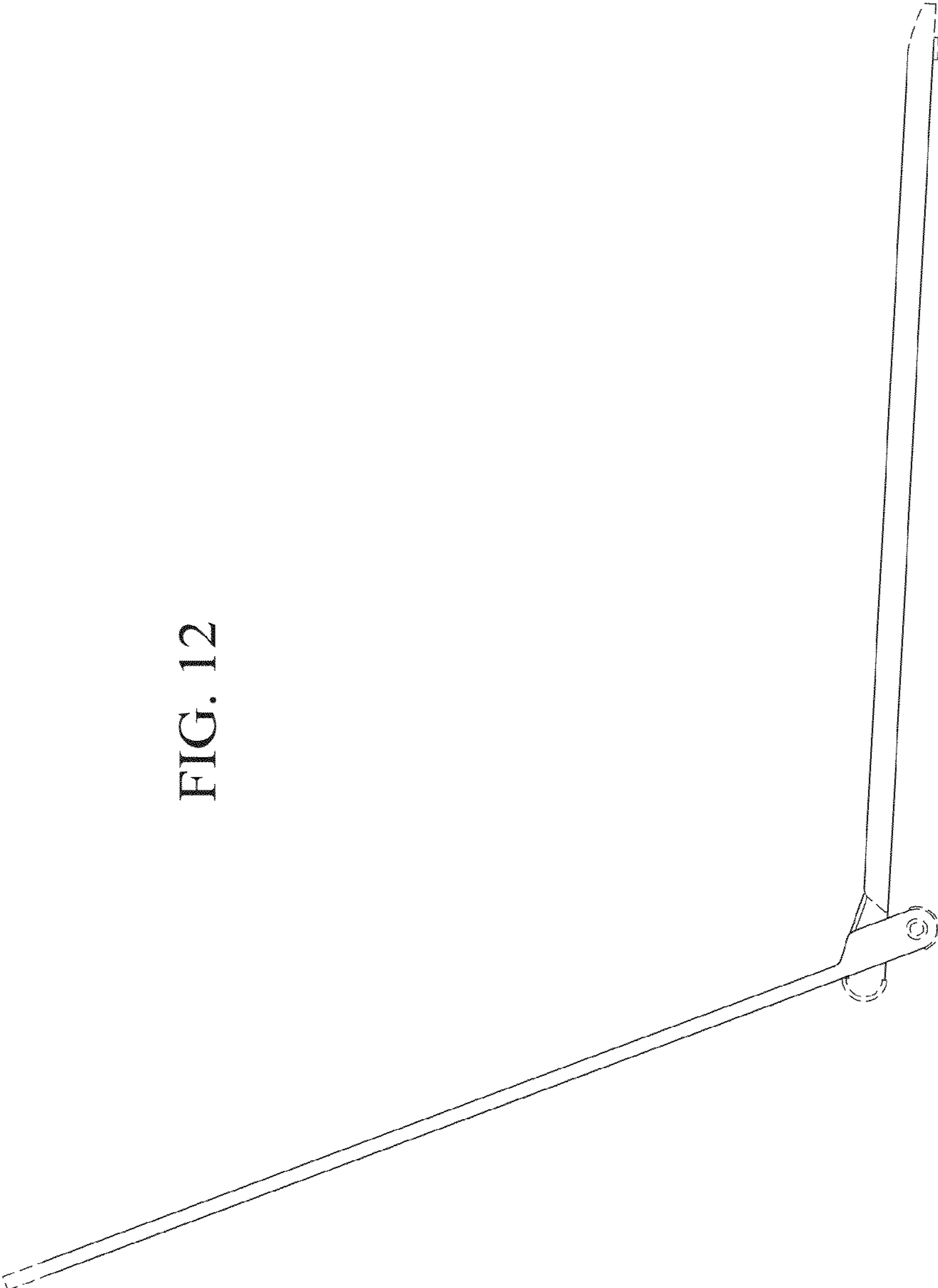


FIG. 13

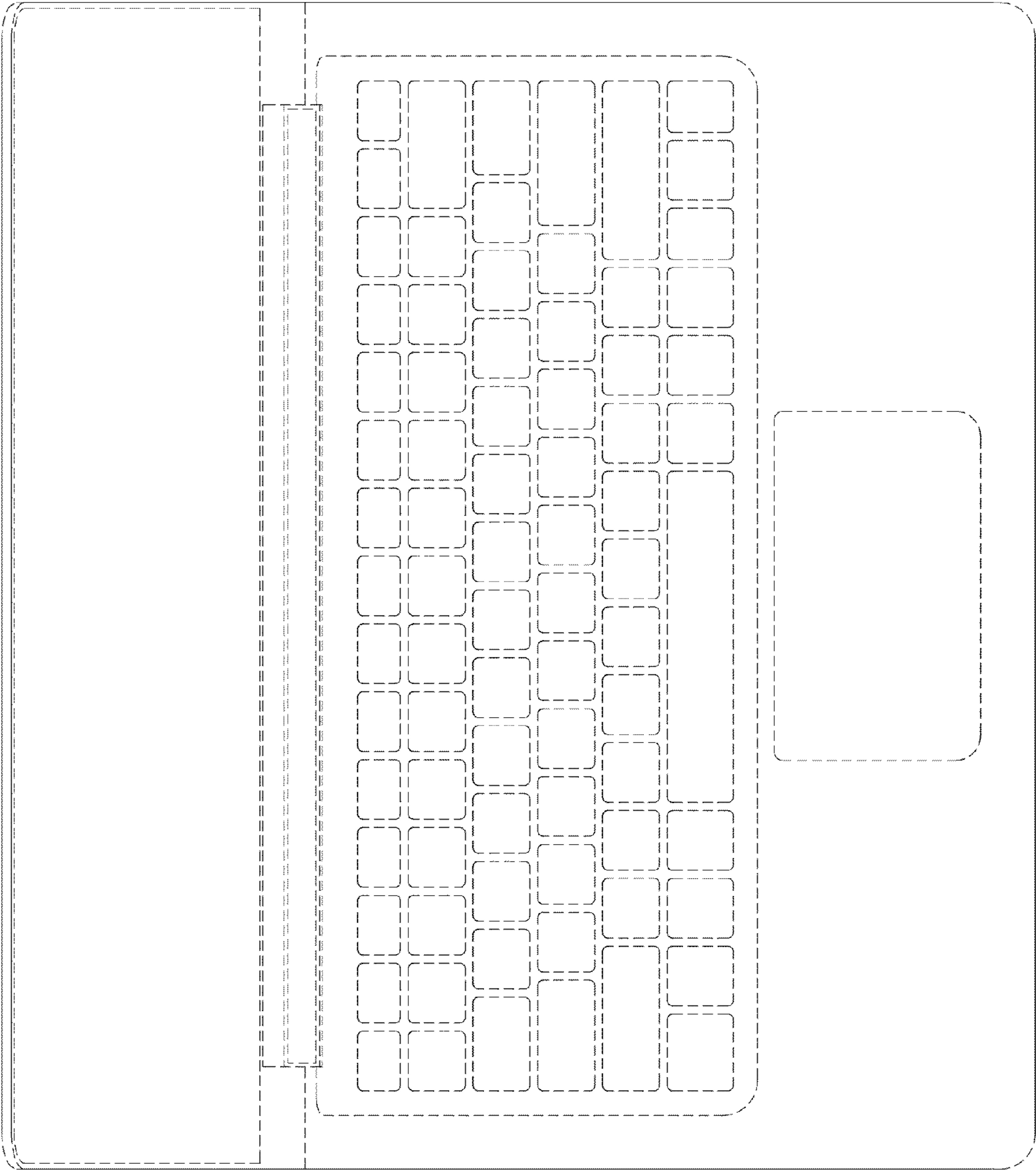


FIG. 14

