



US00D694747S

(12) **United States Design Patent**  
**Chen et al.**

(10) **Patent No.:** **US D694,747 S**  
(45) **Date of Patent:** **\*\* Dec. 3, 2013**

(54) **NOTEBOOK COMPUTER**

(75) Inventors: **I-Wen Chen**, Taipei (TW); **Ming-Chung Liu**, Taipei (TW); **Wei-Han Hu**, Taipei (TW)

(73) Assignee: **Compal Electronics, Inc.**, Taipei (TW)

(\*\*) Term: **14 Years**

(21) Appl. No.: **29/424,984**

(22) Filed: **Jun. 19, 2012**

(51) **LOC (9) Cl.** ..... **14-02**

(52) **U.S. Cl.**  
USPC ..... **D14/315**

(58) **Field of Classification Search**  
USPC ..... D14/315-327, 434, 458-461; D18/1, 2, D18/7, 11; 235/145 A, 145 R; 341/22, 23; 345/156, 157, 168, 169, 173; 361/679.4, 679.09, 679.26, 679.27, 361/679.19; 348/373; 715/783; 710/1-5, 710/113, 303

See application file for complete search history.

(56) **References Cited**

**U.S. PATENT DOCUMENTS**

5,596,481	A *	1/1997	Liu et al.	361/679.19
D439,902	S *	4/2001	Oba	D14/392
6,654,230	B1 *	11/2003	Jones et al.	361/679.19
D515,577	S *	2/2006	Shimizu	D14/392
D556,192	S *	11/2007	Jeong et al.	D14/327
D569,376	S *	5/2008	Shimizu	D14/391
D587,701	S *	3/2009	Yoon	D14/318

\* cited by examiner

*Primary Examiner* — Freda S Nunn

(74) *Attorney, Agent, or Firm* — CKC & Partners Co., Ltd.

(57) **CLAIM**

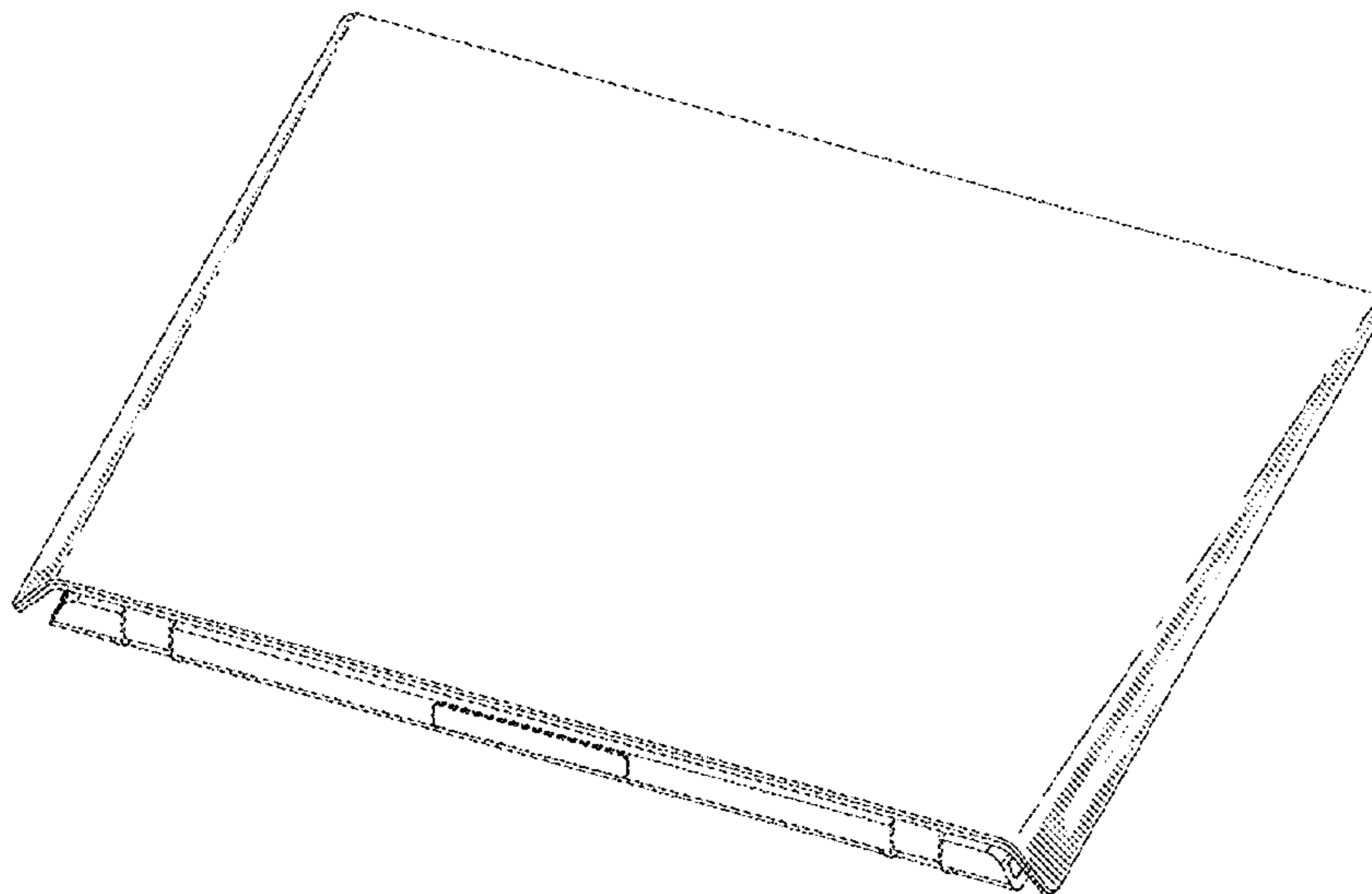
The ornamental design for a notebook computer, as shown and described.

**DESCRIPTION**

FIG. 1 is a perspective view of a notebook computer showing our new design in a closed state;  
 FIG. 2 is a front view thereof;  
 FIG. 3 is a rear view thereof;  
 FIG. 4 is a left side view thereof;  
 FIG. 5 is a right side view thereof;  
 FIG. 6 is a top view thereof;  
 FIG. 7 is a bottom view thereof;  
 FIG. 8 is a perspective view thereof shown in an open state;  
 FIG. 9 is a front view thereof;  
 FIG. 10 is a rear view thereof;  
 FIG. 11 is a left side view thereof;  
 FIG. 12 is a right side view thereof;  
 FIG. 13 is a top view thereof;  
 FIG. 14 is a bottom view thereof;  
 FIG. 15 is a perspective view thereof shown in an open state without palm rest;  
 FIG. 16 is a front view thereof;  
 FIG. 17 is a rear view thereof;  
 FIG. 18 is a left side view thereof;  
 FIG. 19 is a right side view thereof;  
 FIG. 20 is a top view thereof;  
 FIG. 21 is a bottom view thereof;  
 FIG. 22 is a perspective view thereof shown in a closed state with docking;  
 FIG. 23 is a front view thereof;  
 FIG. 24 is a rear view thereof;  
 FIG. 25 is a left side view thereof;  
 FIG. 26 is a right side view thereof;  
 FIG. 27 is a top view thereof; and,  
 FIG. 28 is a bottom view thereof.

The broken lines shown represent unclaimed subject matter and form no part of the claimed design.

**1 Claim, 22 Drawing Sheets**



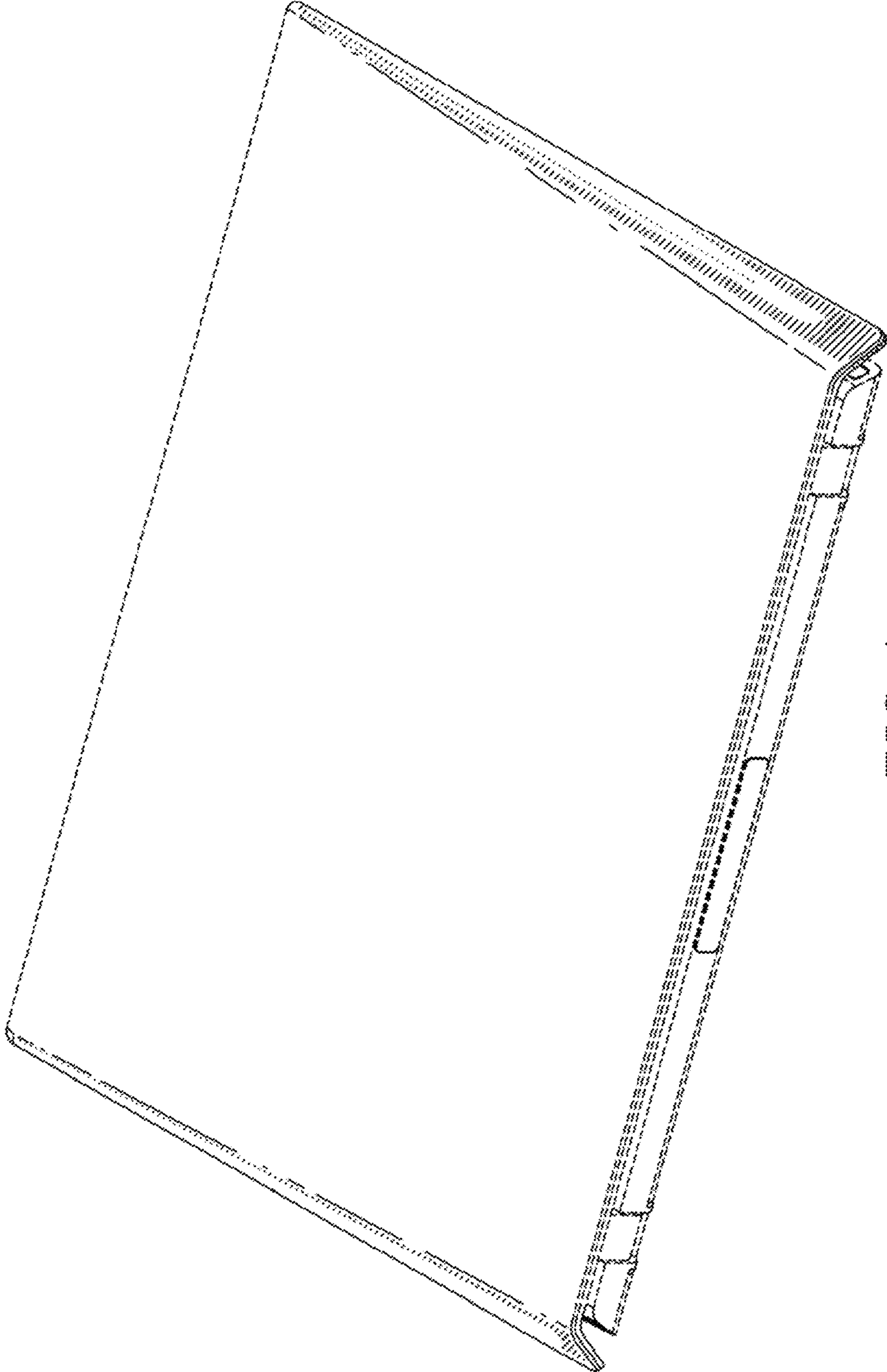


FIG. 1

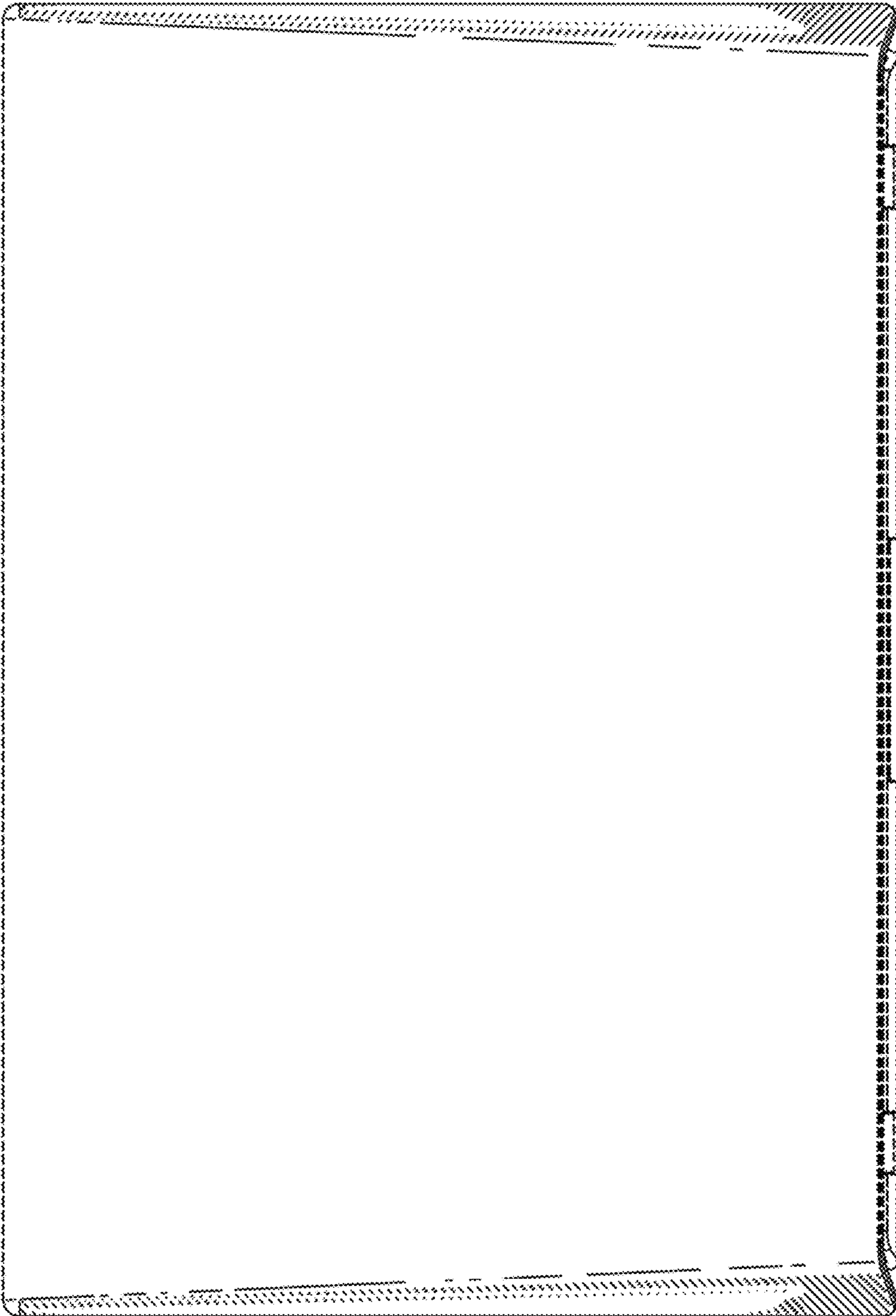


FIG. 2

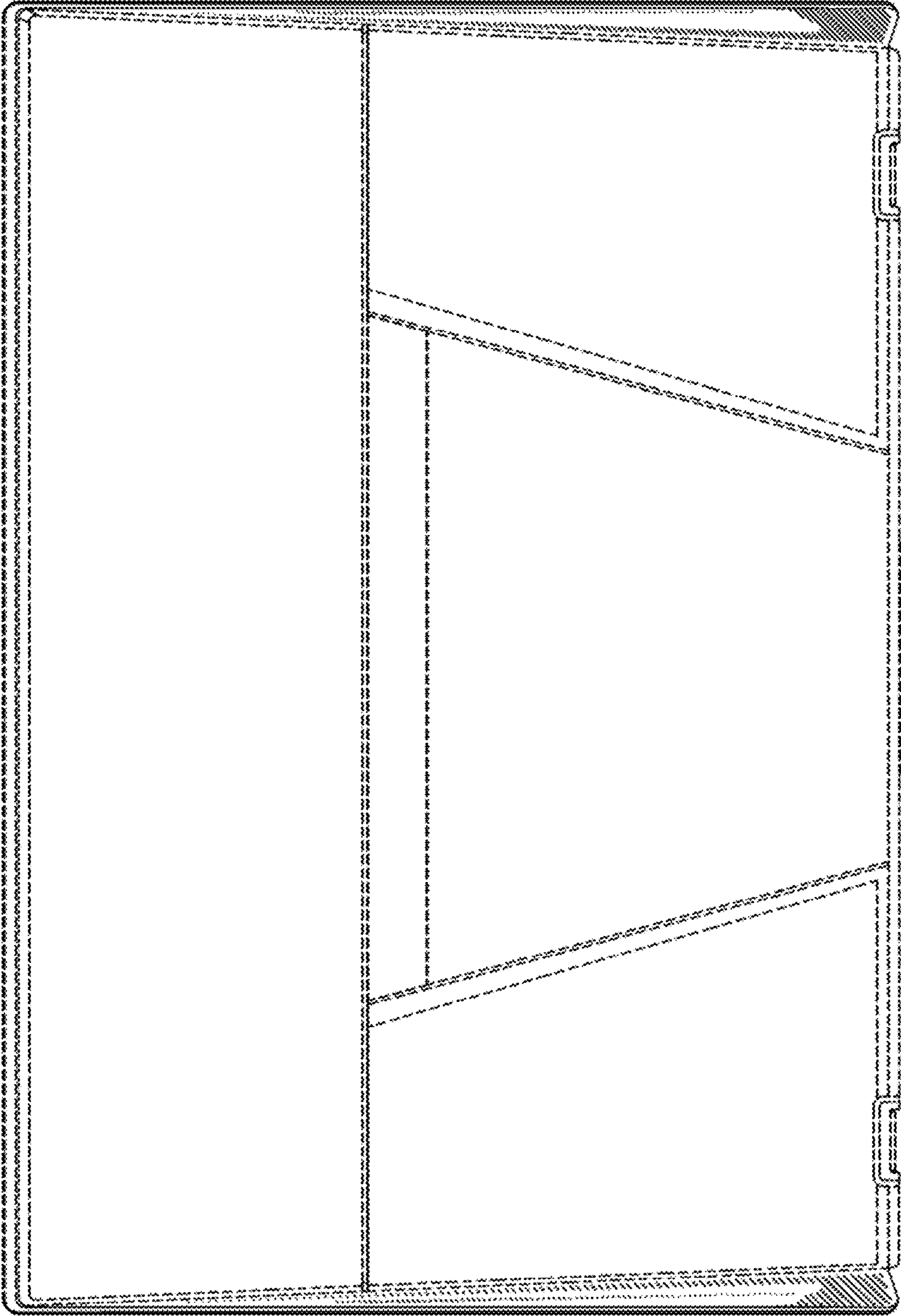


FIG. 3

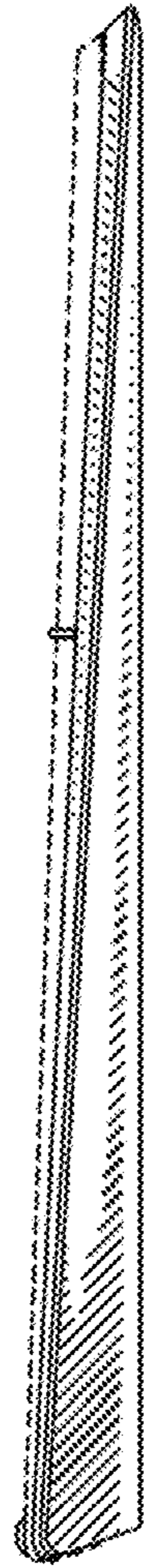


FIG. 4

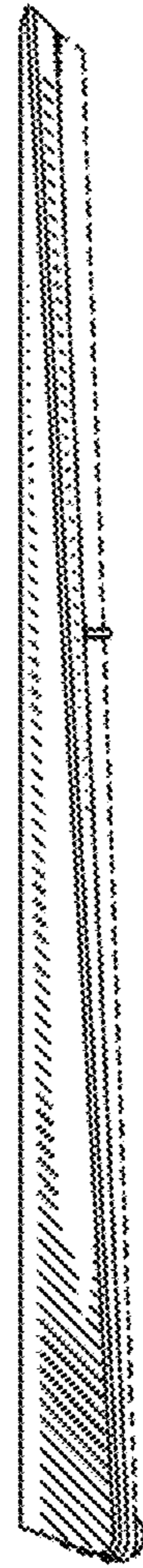


FIG. 5

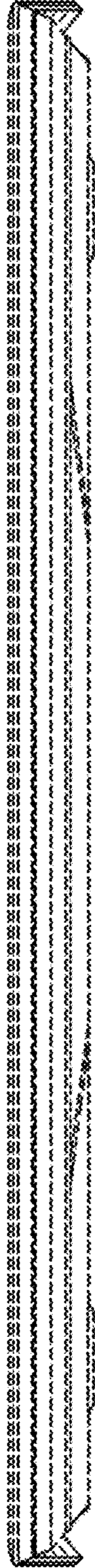


FIG. 7



FIG. 6

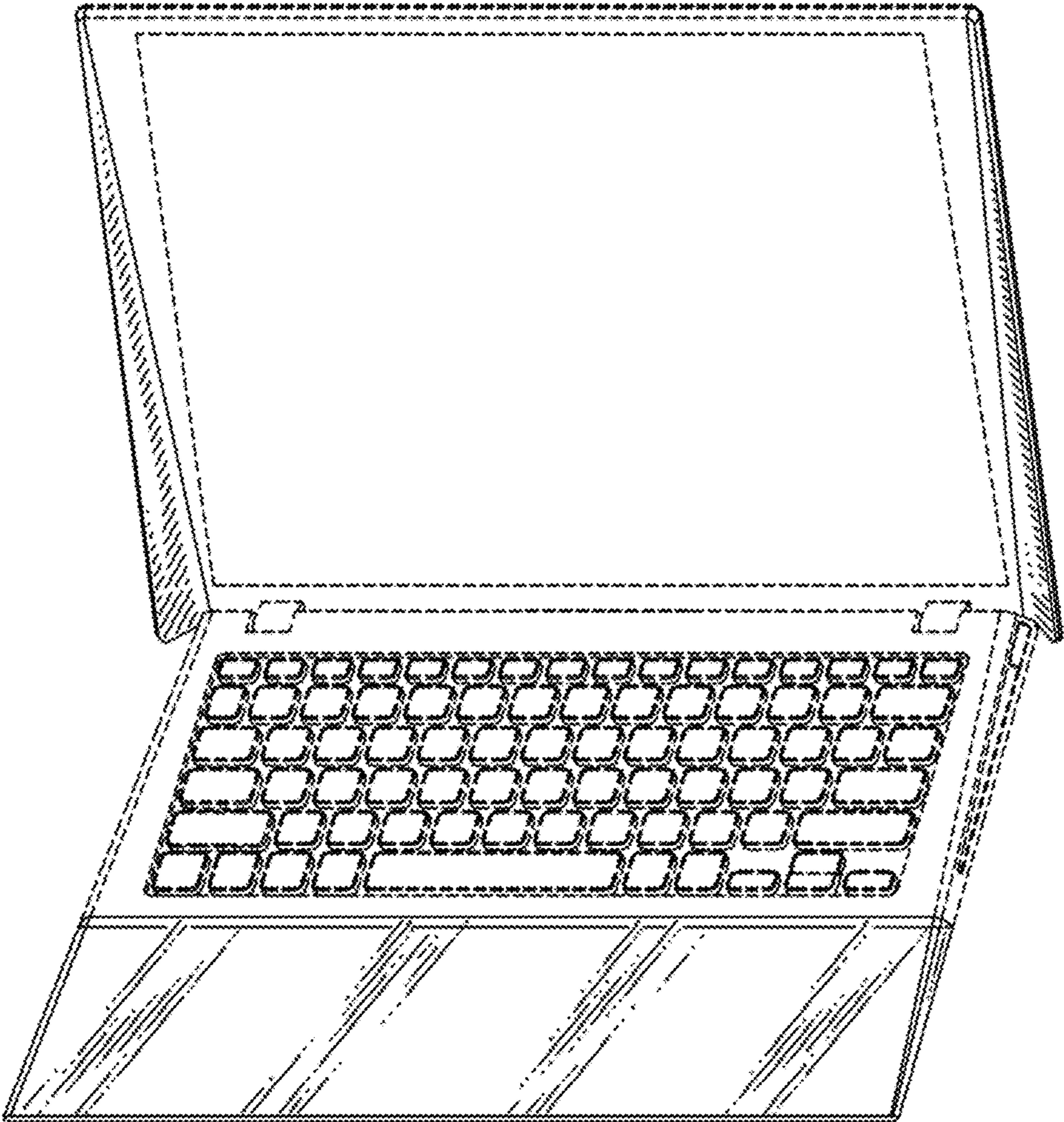


FIG. 8

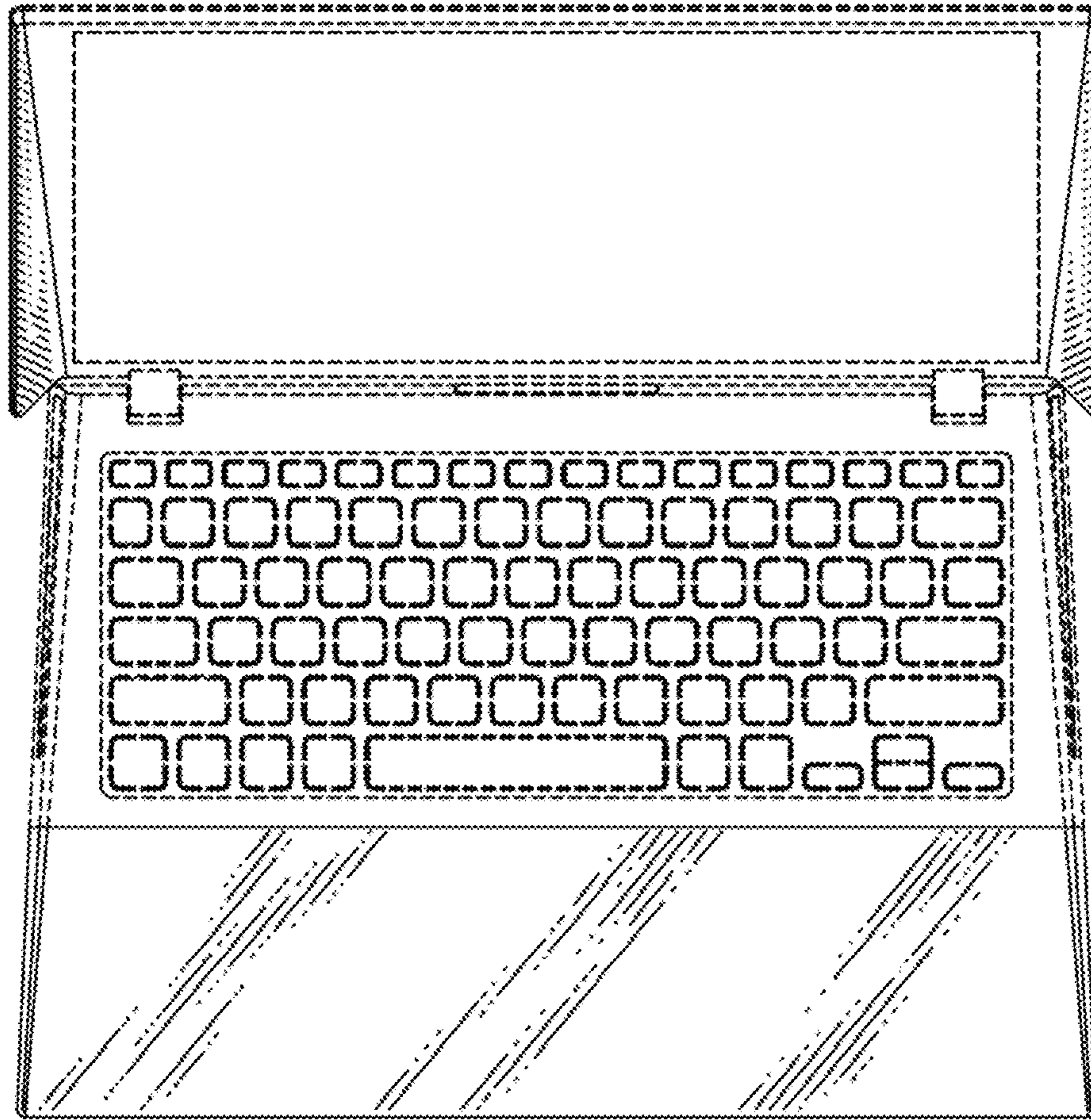


FIG. 9



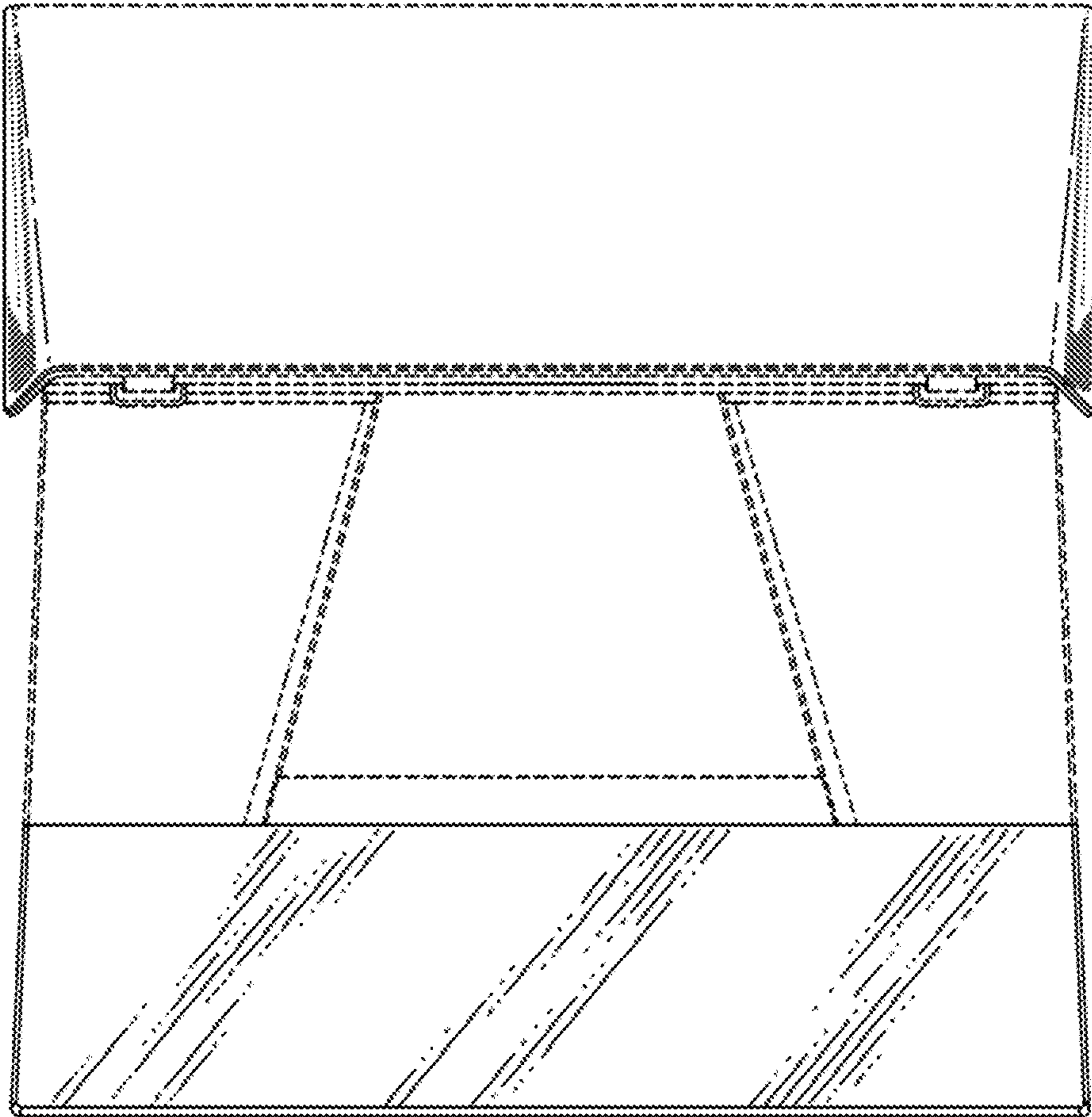


FIG. 10

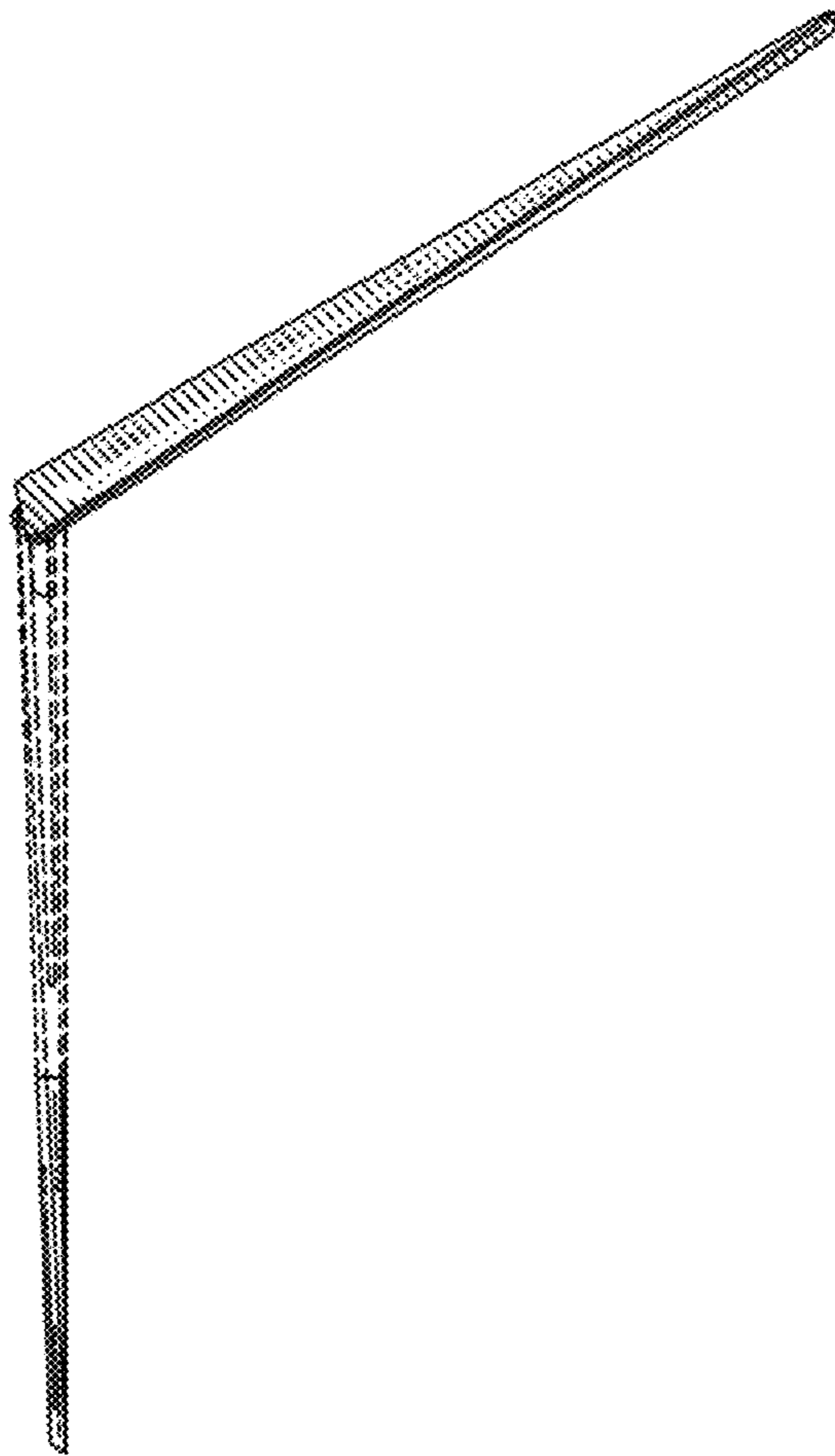


FIG. 11

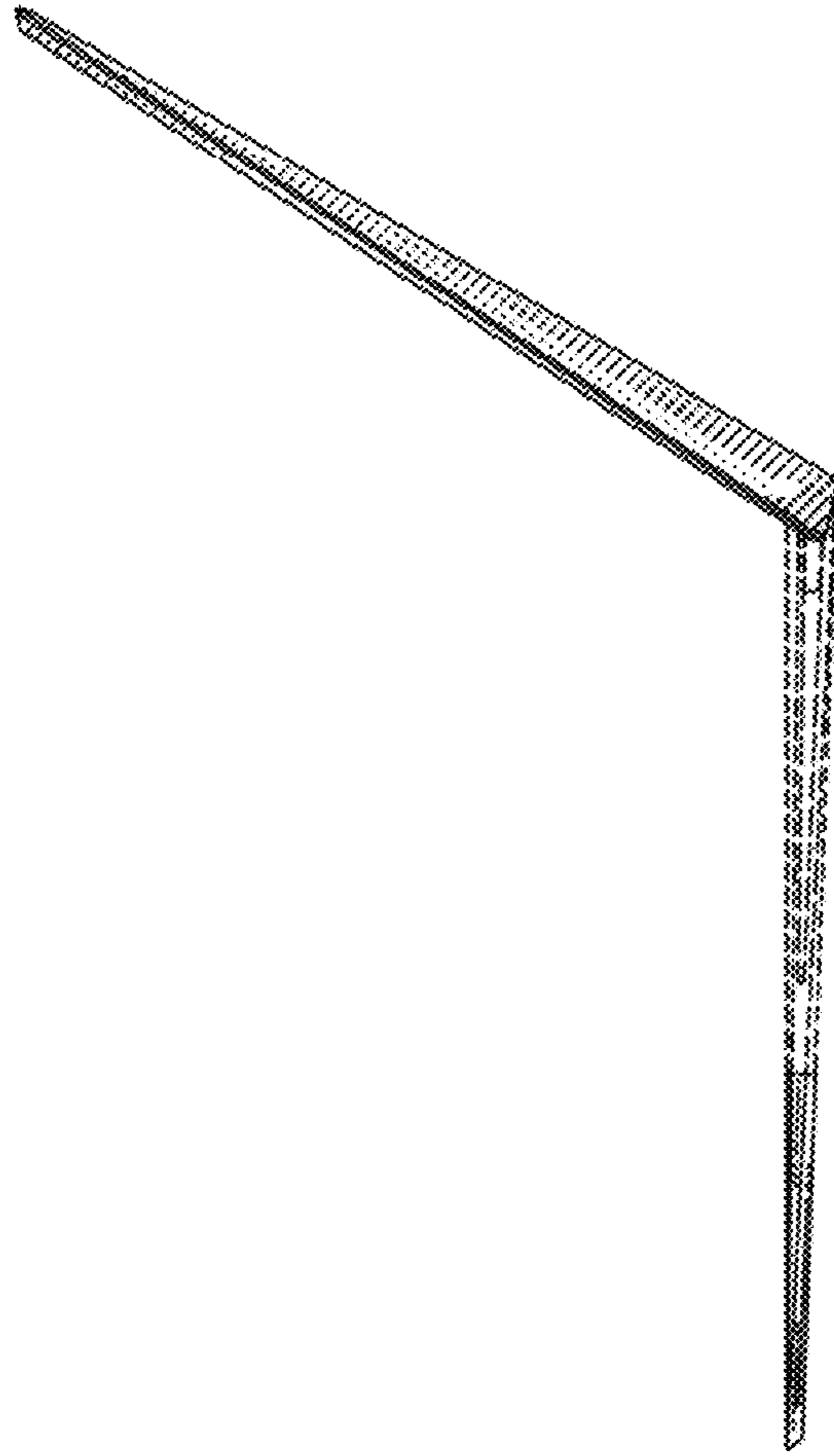


FIG. 12



FIG. 13

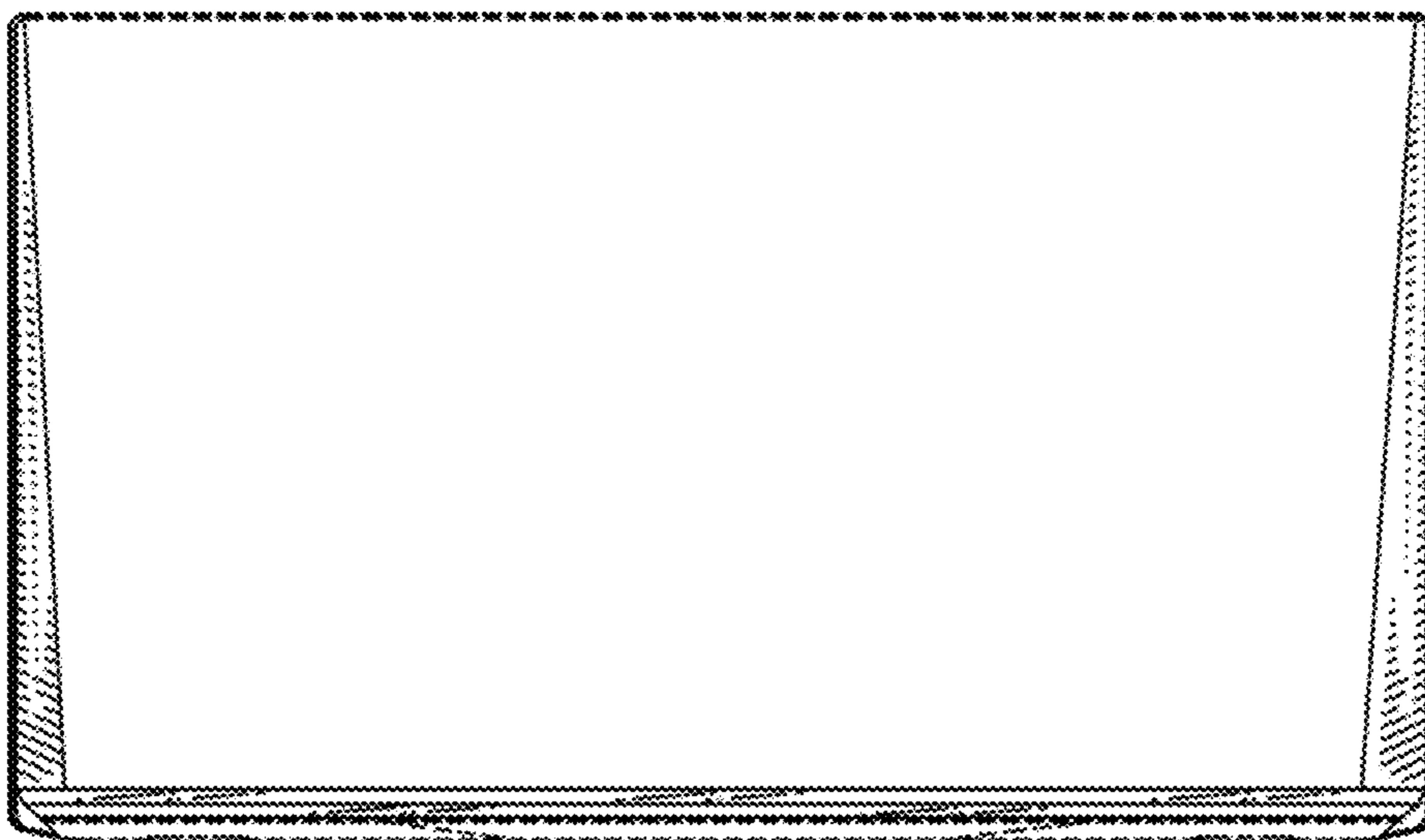


FIG. 14

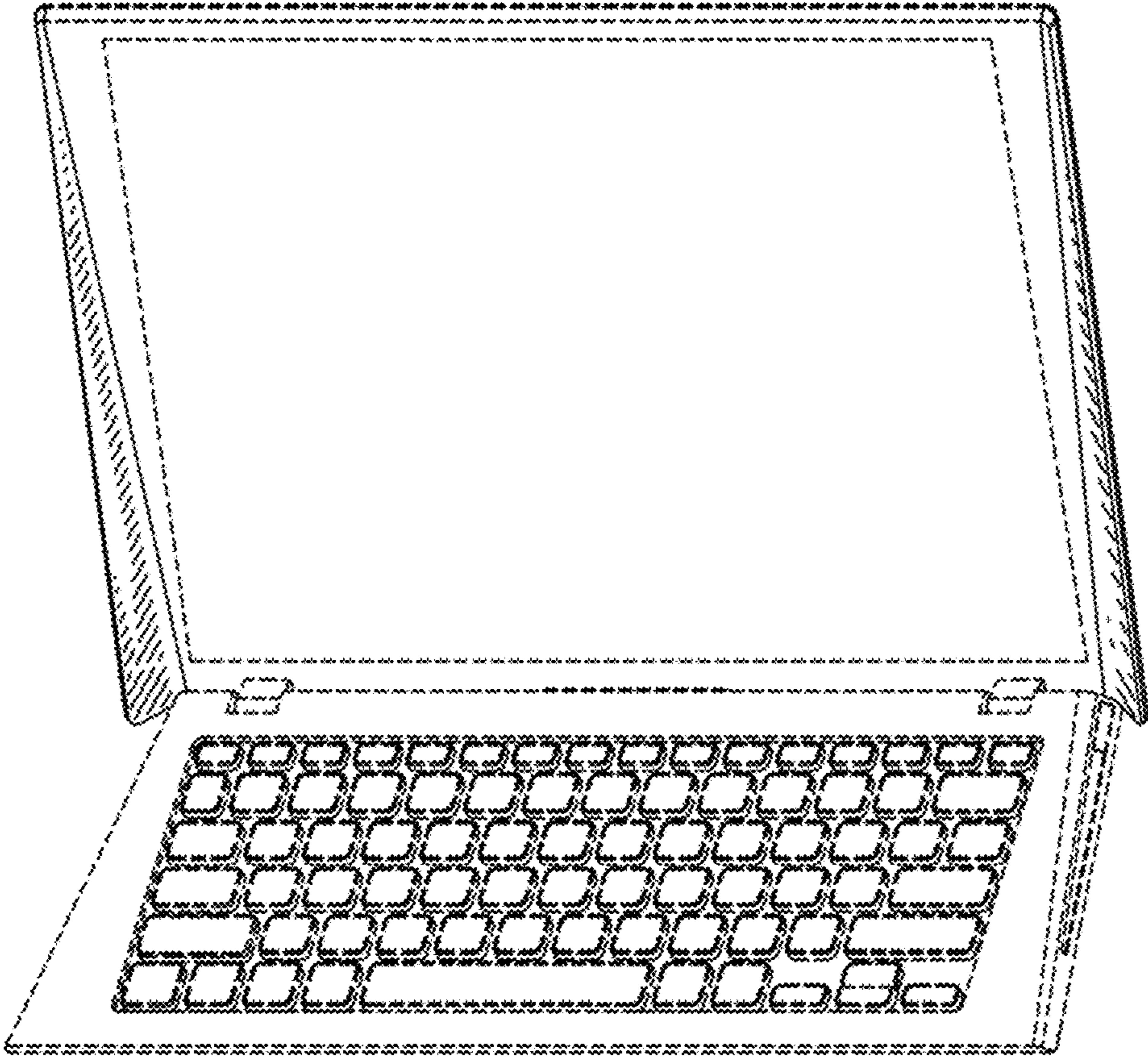


FIG. 15

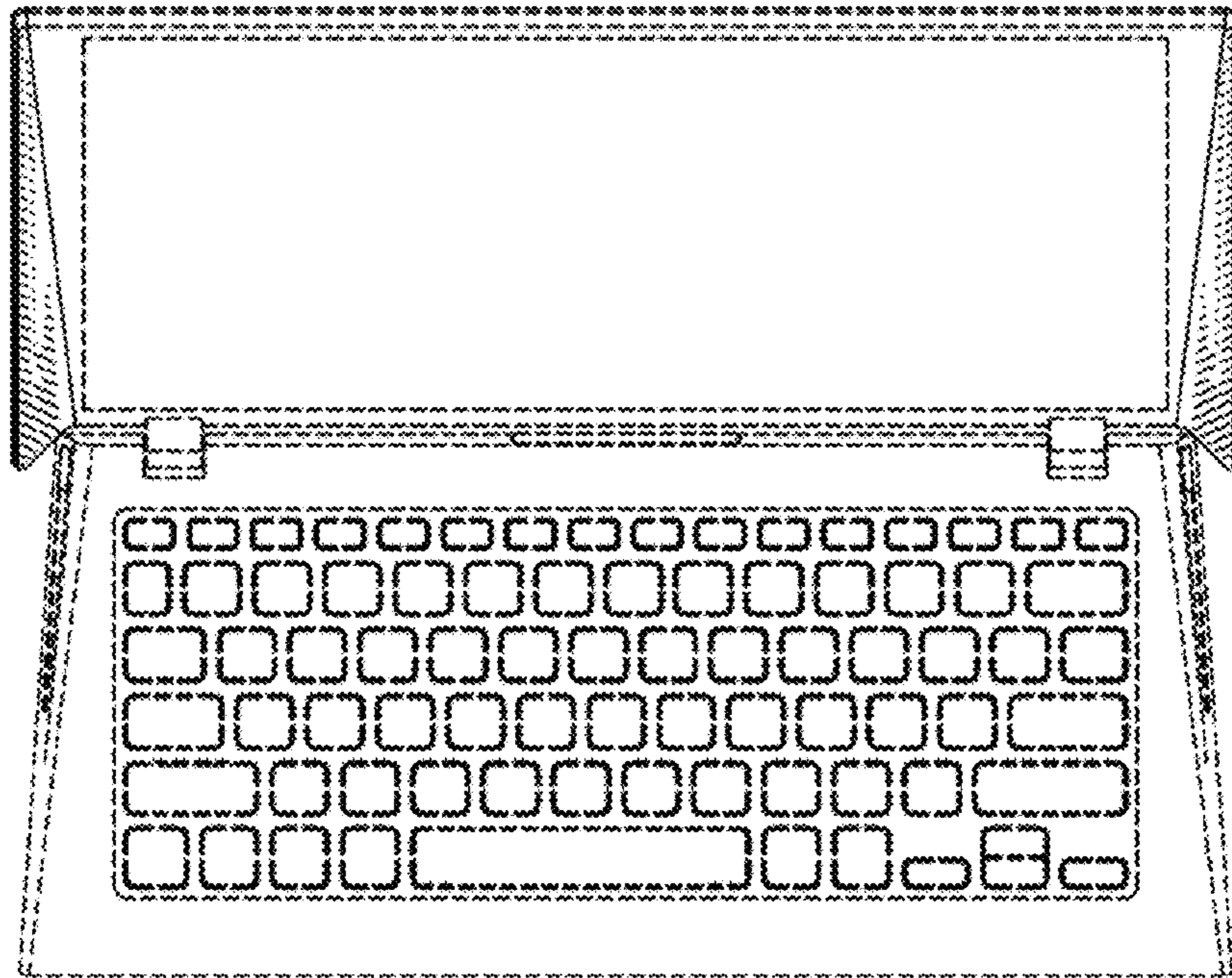


FIG. 16

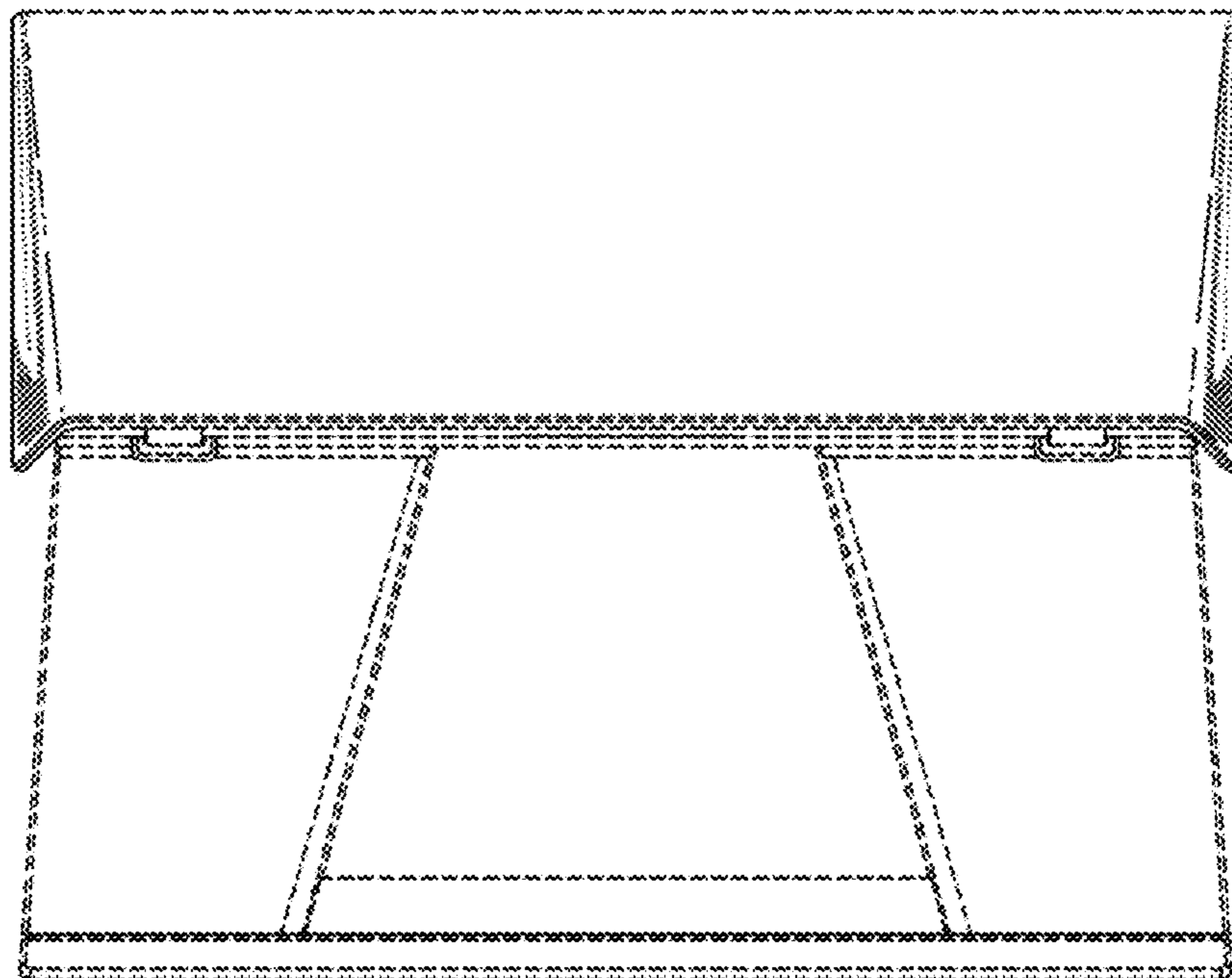


FIG. 17

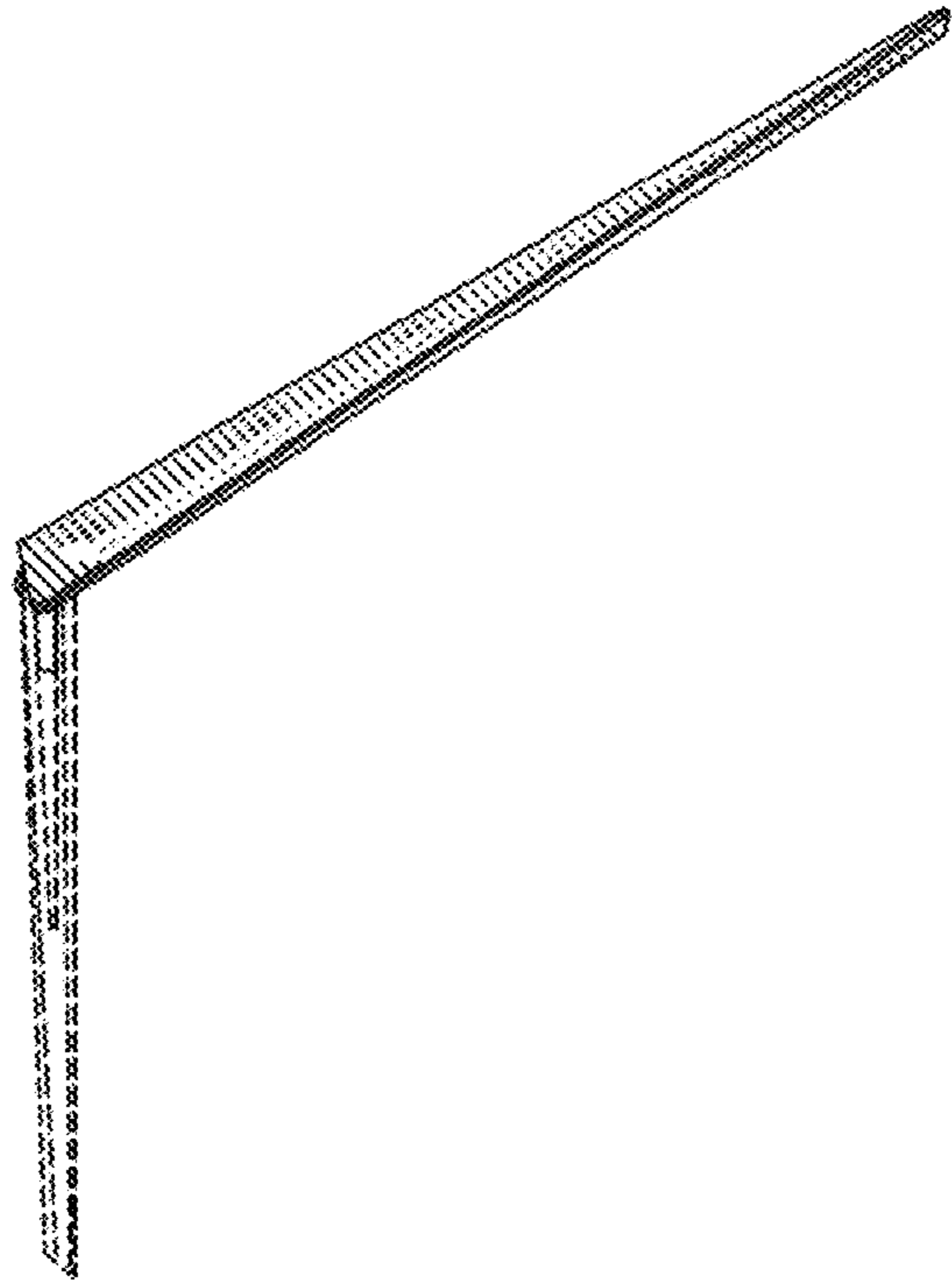


FIG. 18

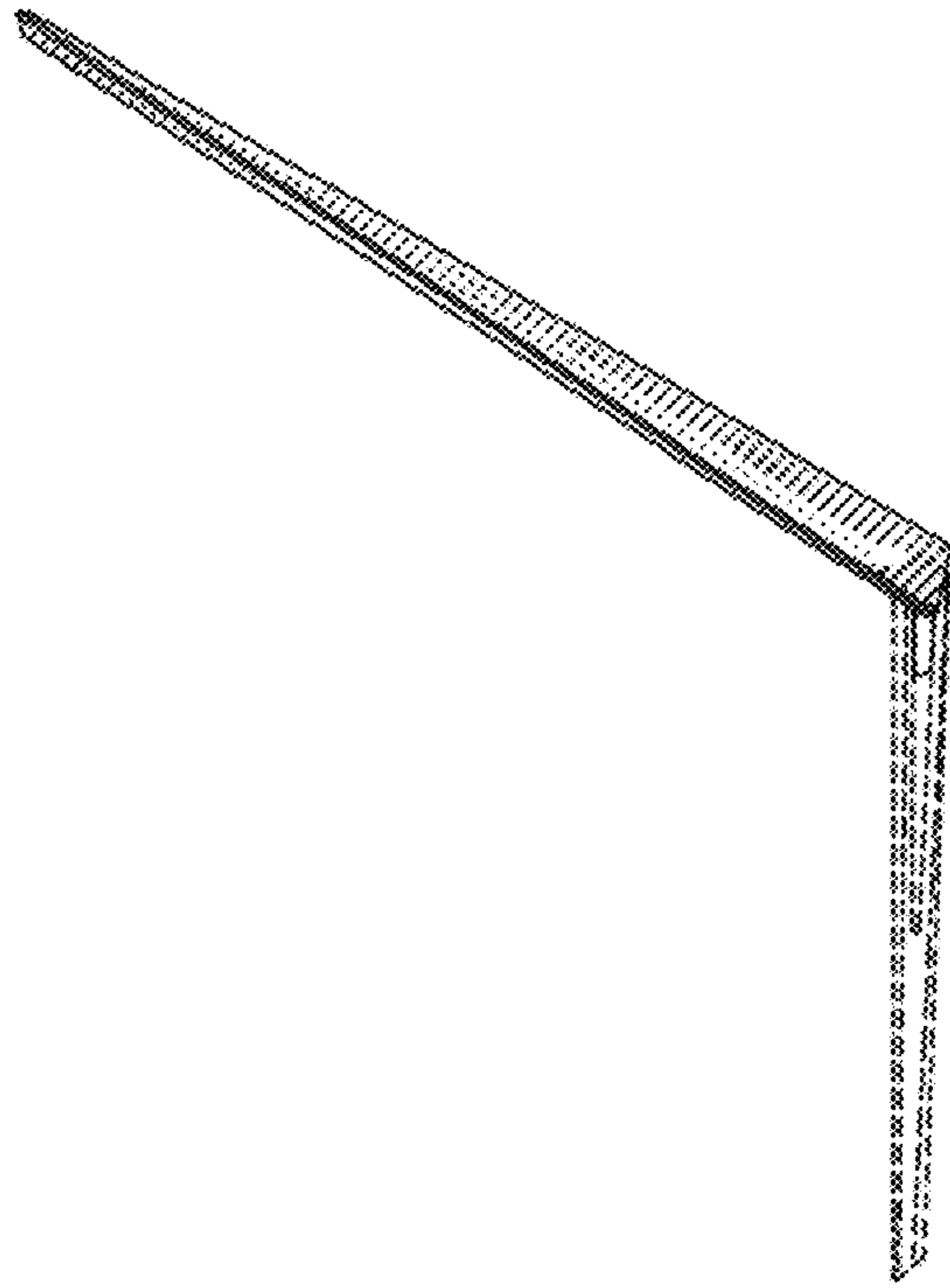


FIG. 19





FIG. 20

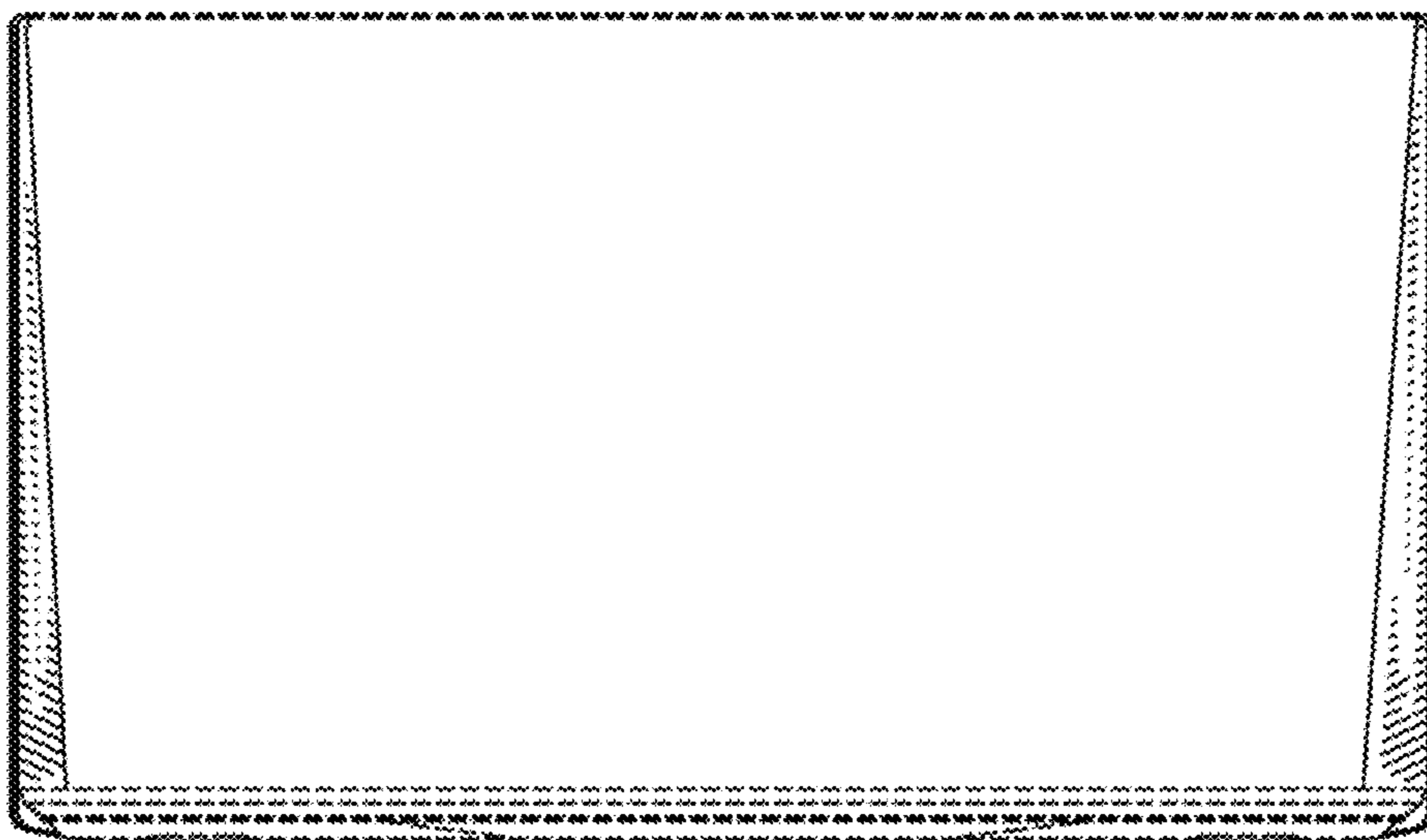


FIG. 21

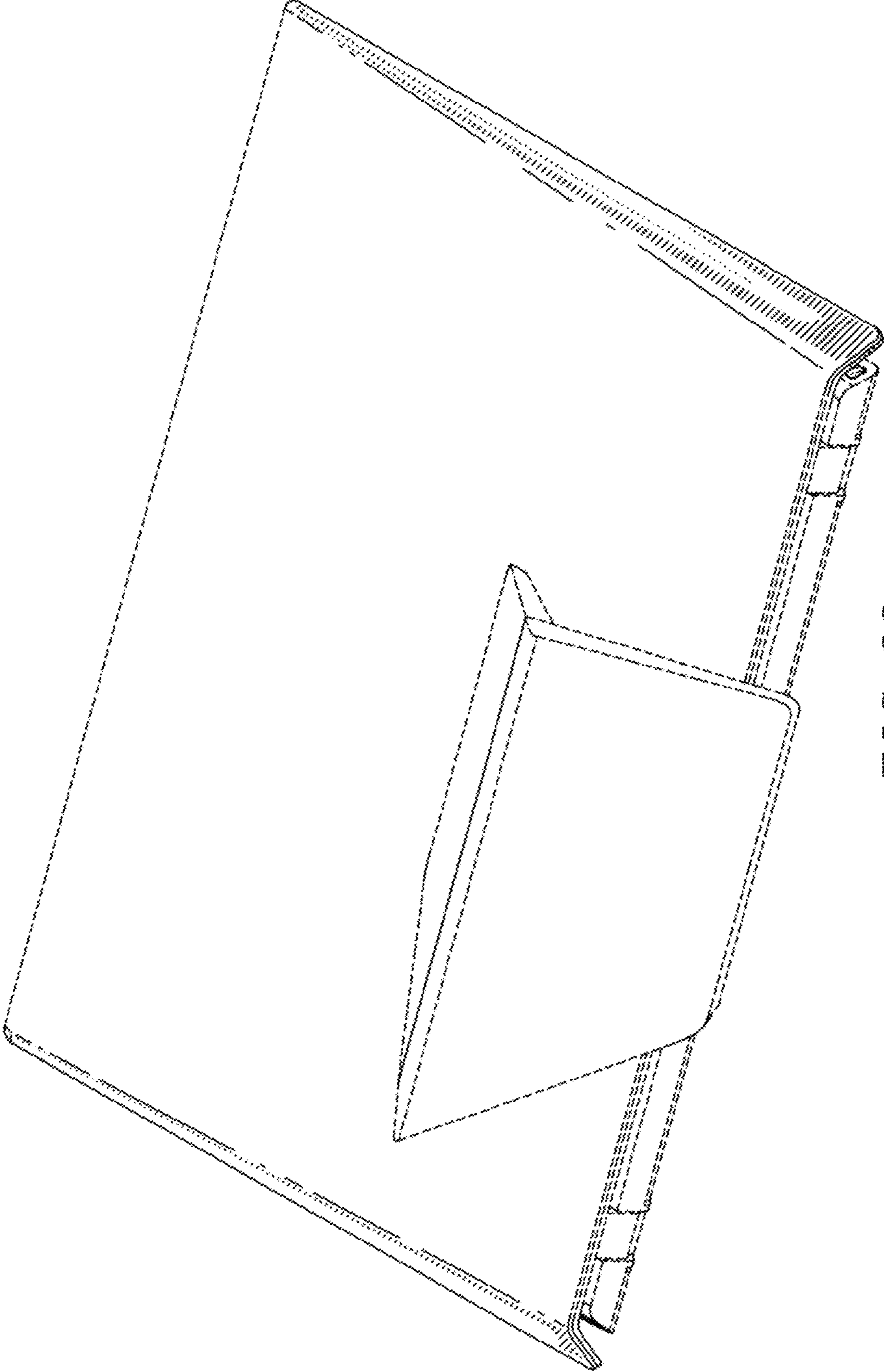


FIG. 22

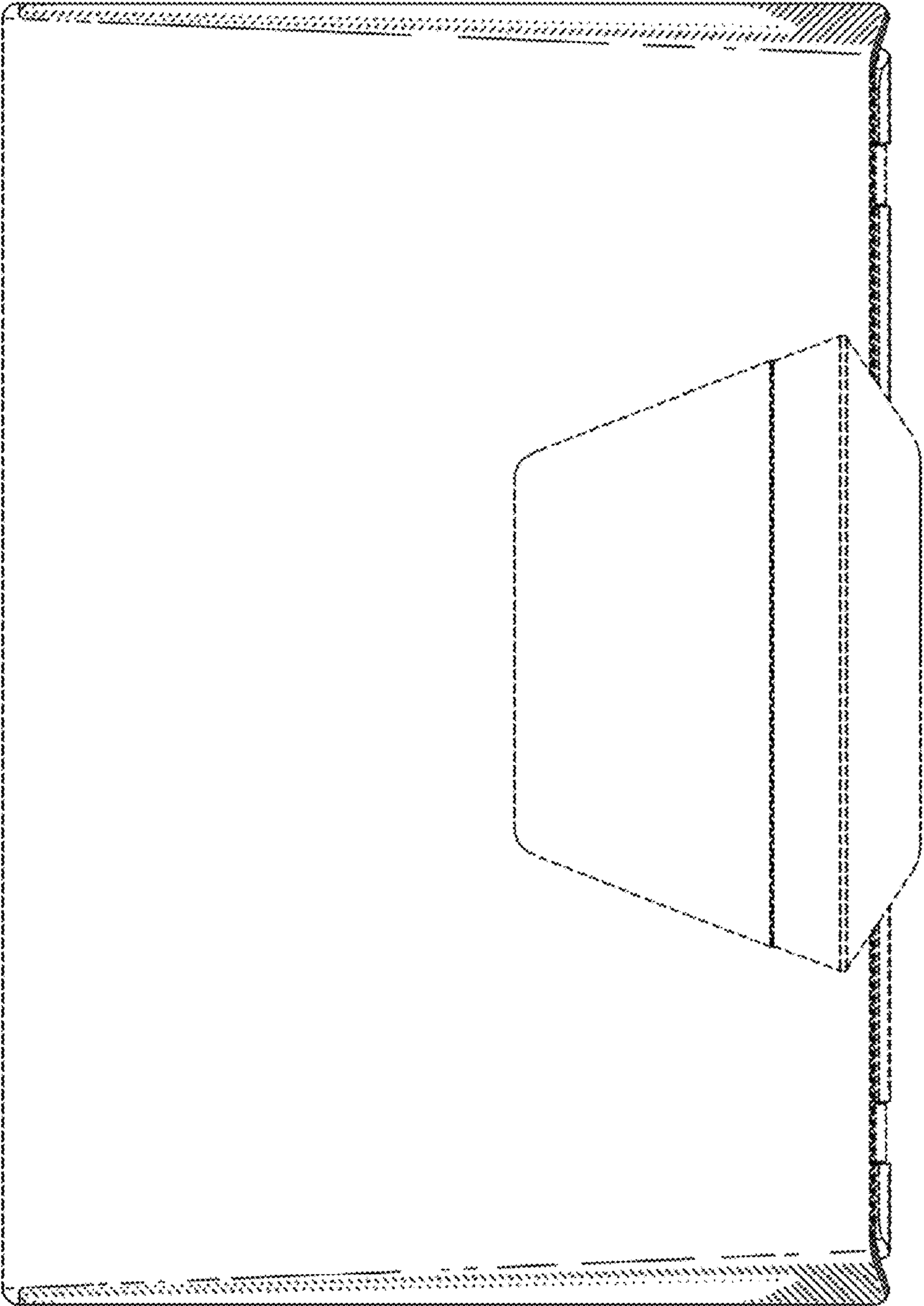


FIG. 23

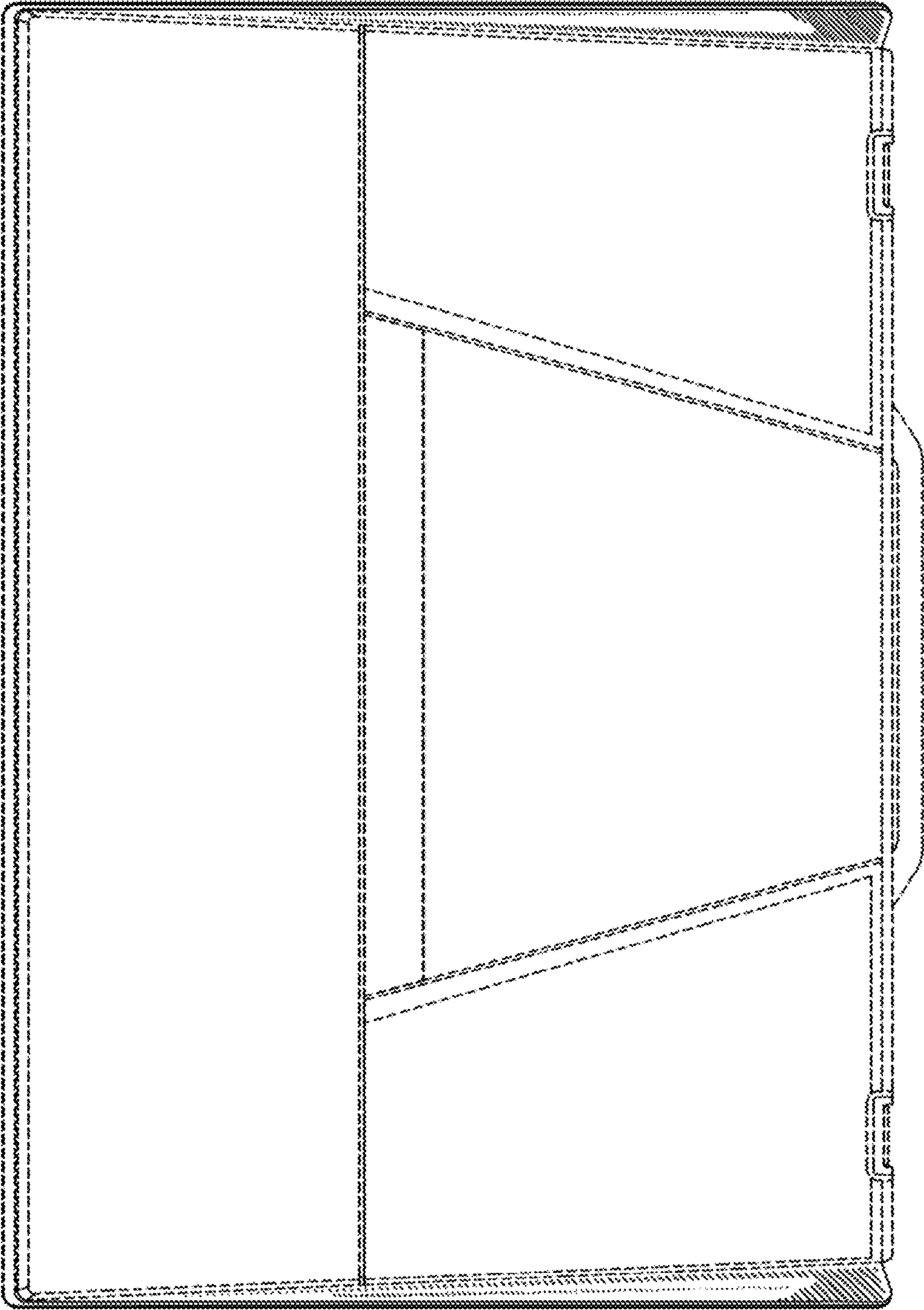


FIG. 24

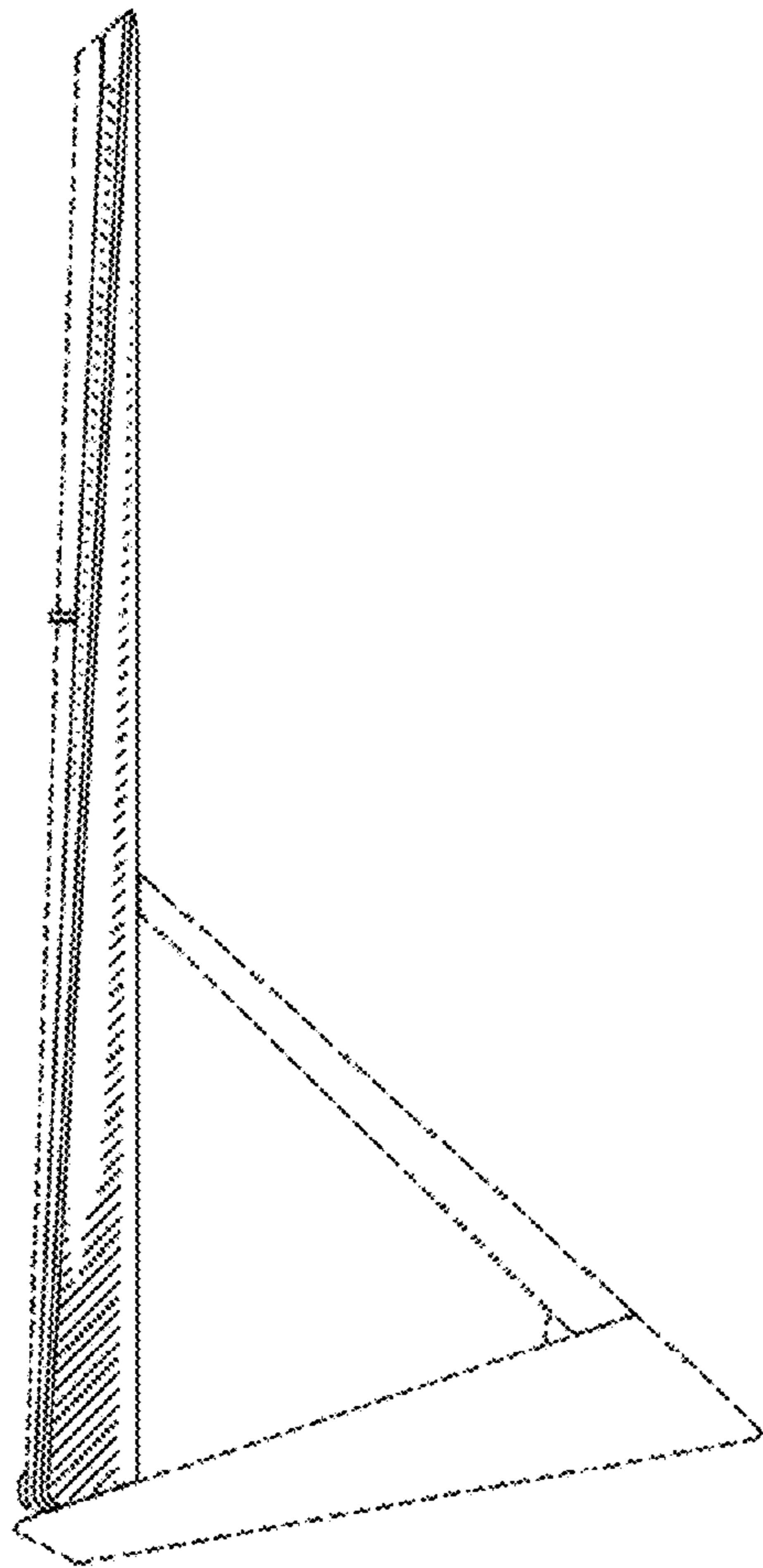


FIG. 25

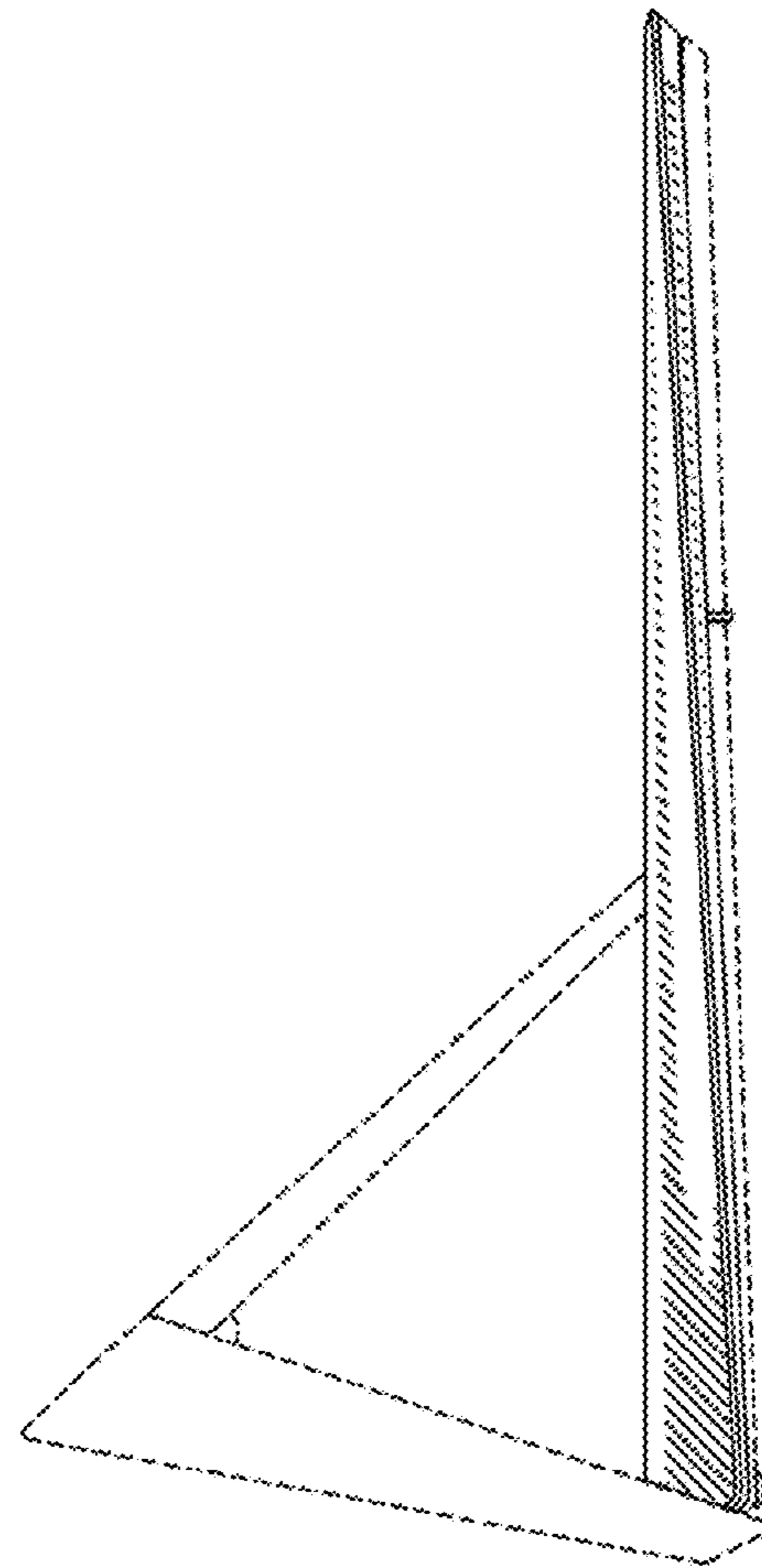


FIG. 26

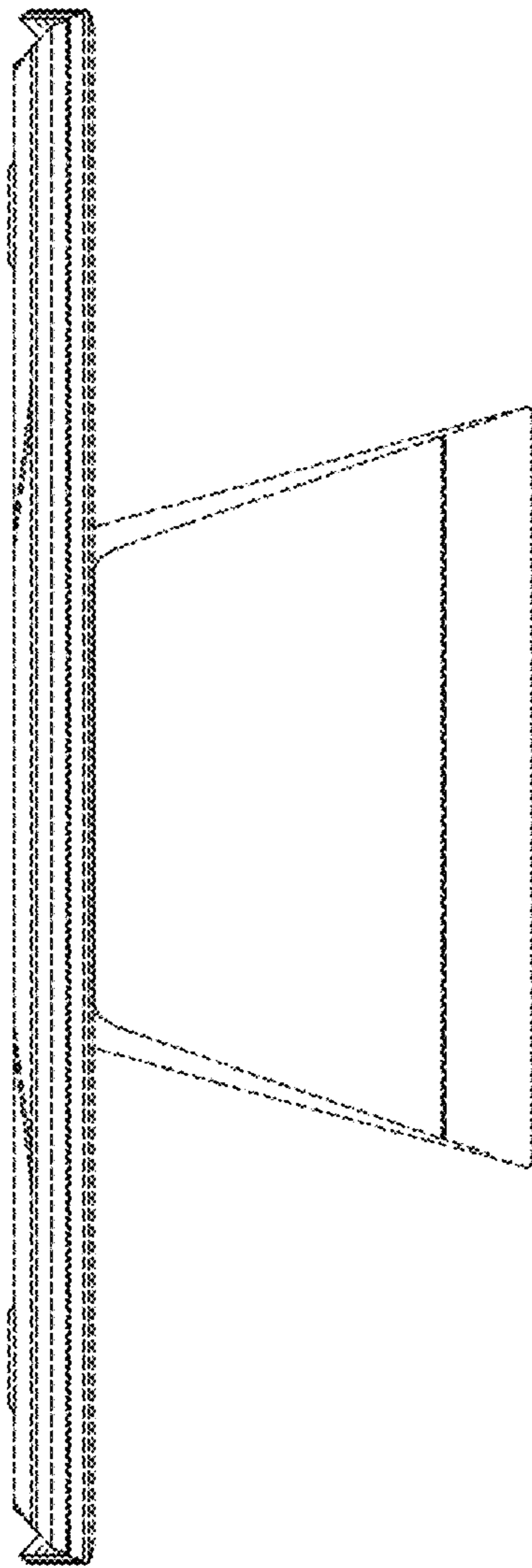


FIG. 27

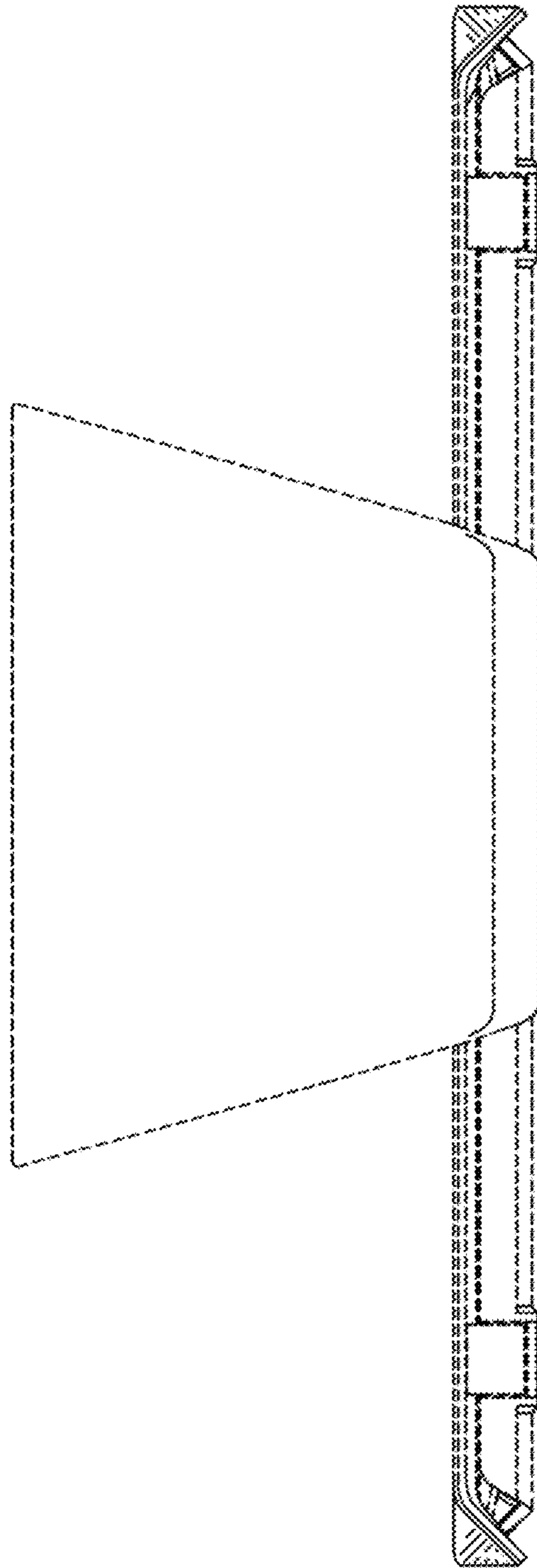


FIG. 28