



US00D694745S

(12) **United States Design Patent**  
**Akana et al.**

(10) **Patent No.:** **US D694,745 S**  
(45) **Date of Patent:** **\*\* Dec. 3, 2013**

(54) **ELECTRONIC DEVICE**

(75) Inventors: **Jody Akana**, San Francisco, CA (US);  
**Bartley K. Andre**, Menlo Park, CA  
(US); **Jeremy Bataillou**, San Francisco,  
CA (US); **Daniel J. Coster**, San  
Francisco, CA (US); **Daniele De Iulliis**,  
San Francisco, CA (US); **Evans**  
**Hankey**, San Francisco, CA (US);  
**Richard P. Howarth**, San Francisco, CA  
(US); **Jonathan P. Ive**, San Francisco,  
CA (US); **Duncan Robert Kerr**, San  
Francisco, CA (US); **Shin Nishibori**,  
Portola Valley, CA (US); **Matthew Dean**  
**Rohrbach**, San Francisco, CA (US);  
**Peter Russell-Clarke**, San Francisco,  
CA (US); **Christopher J. Stringer**,  
Woodside, CA (US); **Eugene Antony**  
**Whang**, San Francisco, CA (US); **Rico**  
**Zorkendorfer**, San Francisco, CA (US)

(73) Assignee: **Apple Inc.**, Cupertino, CA (US)

(\*\*) Term: **14 Years**

(21) Appl. No.: **29/418,881**

(22) Filed: **Apr. 23, 2012**

**Related U.S. Application Data**

(60) Continuation of application No. 29/405,931, filed on  
Nov. 8, 2011, now Pat. No. Des. 660,834, which is a  
division of application No. 29/368,938, filed on Aug.  
31, 2010, now Pat. No. Des. 650,377.

(51) **LOC (9) Cl.** ..... **14-02**

(52) **U.S. Cl.**  
USPC ..... **D14/314**

(58) **Field of Classification Search**  
USPC ..... D14/314, 348, 363-369, 353-356, 125,  
D14/496; D13/162, 184, 199;  
312/223.1-223.3; 360/99.01-99.12;  
361/679.01; 369/34.01, 36.01

See application file for complete search history.

(56) **References Cited**

U.S. PATENT DOCUMENTS

D297,007 S 8/1988 Pushelberg  
D373,117 S 8/1996 Barthelemy et al.

(Continued)

FOREIGN PATENT DOCUMENTS

JP 1241895 6/2005  
JP 1241896 6/2005

OTHER PUBLICATIONS

Eyegonomic, Eyegonomic Eyebow, www.prweb.com, available at  
least as early as Mar. 10, 2004.

(Continued)

*Primary Examiner* — Freda S Nunn

(74) *Attorney, Agent, or Firm* — Saidman DesignLaw Group

(57) **CLAIM**

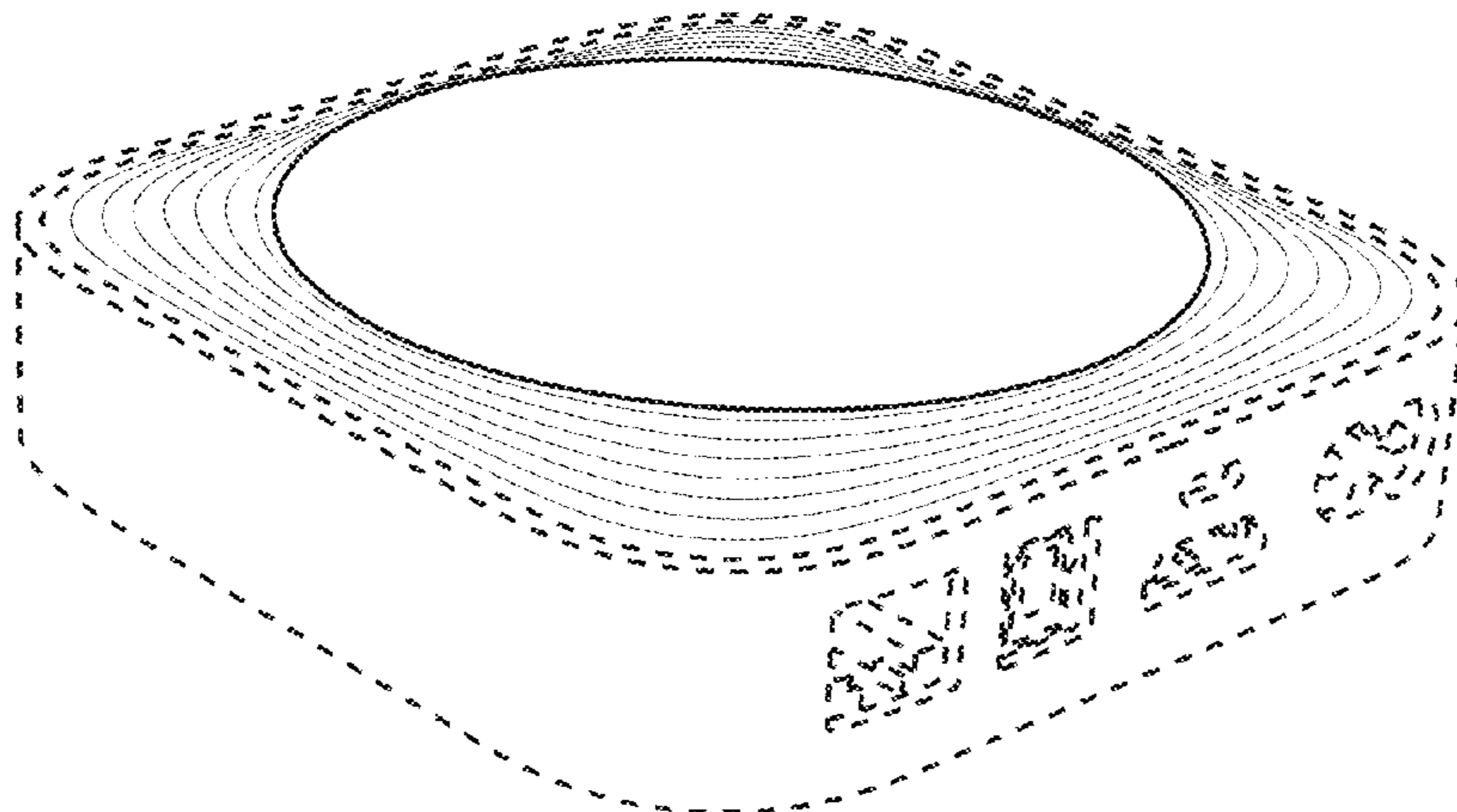
The ornamental design for an electronic device, as shown and  
described.

**DESCRIPTION**

FIG. 1 is a top, front perspective view of an electronic device  
showing our new design;  
FIG. 2 is a bottom, rear perspective view thereof;  
FIG. 3 is a front view thereof;  
FIG. 4 is rear view thereof;  
FIG. 5 is a left side view thereof;  
FIG. 6 is a right side view thereof;  
FIG. 7 is a top view thereof; and,  
FIG. 8 is a bottom view thereof.

The broken lines are for the purpose of illustrating portions of  
the electronic device and form no part of the claimed design.  
The shade lines on the surface portions indicate contour and  
not surface decoration.

**1 Claim, 3 Drawing Sheets**



(56)

References Cited

U.S. PATENT DOCUMENTS

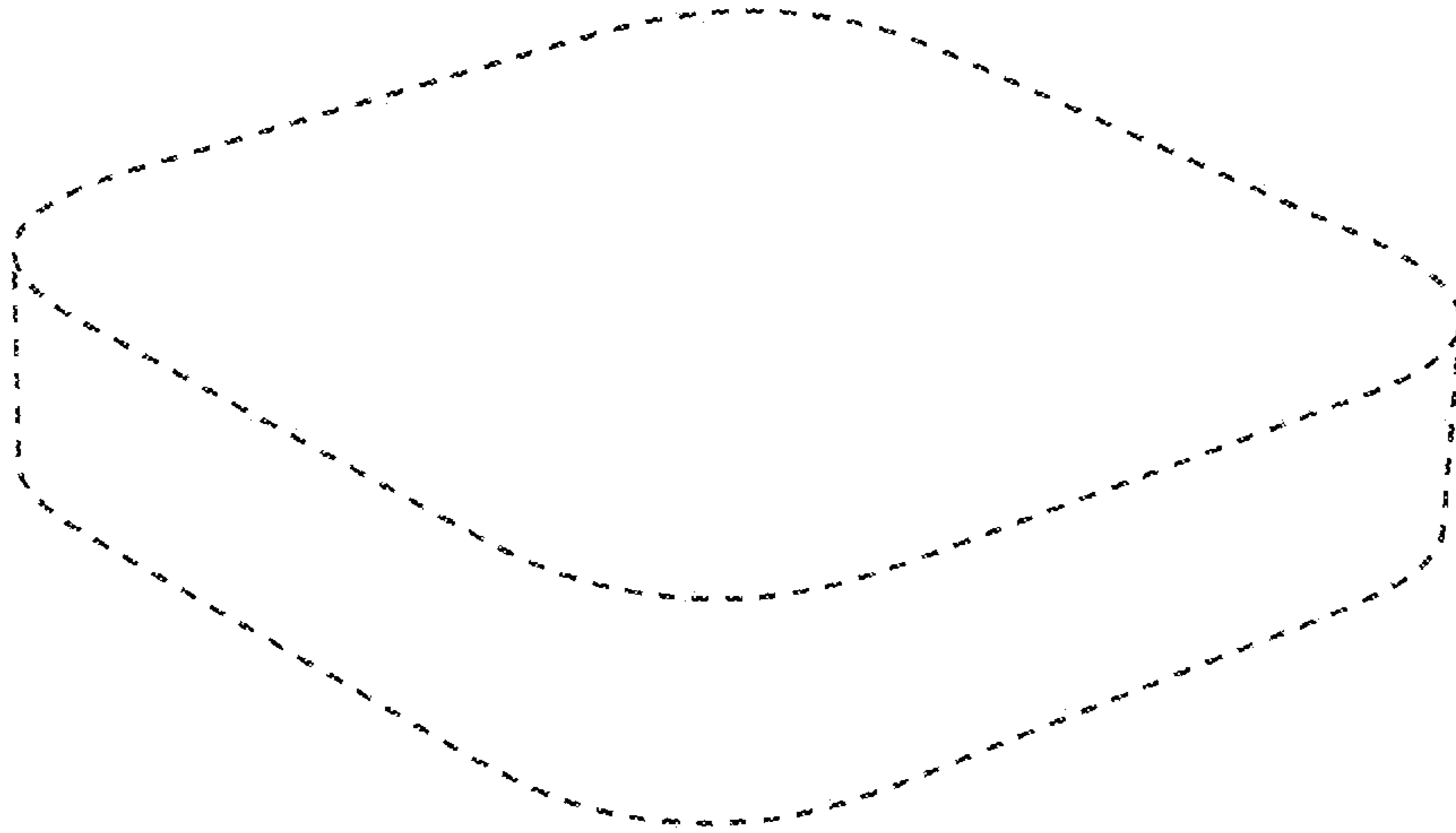
D390,220 S 2/1998 Matsuoka  
 D426,831 S 6/2000 Hu  
 D435,845 S 1/2001 Piersol  
 D461,187 S 8/2002 Andre et al.  
 D484,128 S 12/2003 Chung  
 D491,563 S 6/2004 Sato et al.  
 D494,579 S 8/2004 Chuang et al.  
 D508,899 S 8/2005 Suzuki  
 6,933,928 B1 8/2005 Lilienthal  
 D520,519 S 5/2006 Chin et al.  
 D522,531 S 6/2006 Solomon et al.  
 D526,648 S 8/2006 Andre et al.  
 D530,717 S 10/2006 Mori  
 D533,177 S 12/2006 Andre et al.  
 D537,817 S 3/2007 Andre et al.  
 D540,318 S 4/2007 Wang  
 D542,288 S 5/2007 Andre et al.  
 D558,790 S 1/2008 Yu et al.  
 D563,994 S 3/2008 Liu et al.  
 D580,933 S 11/2008 Ju et al.  
 D587,267 S 2/2009 Wang  
 D590,827 S 4/2009 Song  
 D594,474 S 6/2009 Hansen et al.  
 D594,876 S 6/2009 Hwang  
 D594,877 S 6/2009 Iino et al.  
 D596,177 S 7/2009 Steele et al.  
 D596,626 S 7/2009 Andre et al.  
 D599,753 S 9/2009 Cho et al.  
 D601,583 S 10/2009 Andre et al.  
 D601,585 S 10/2009 Andre et al.

D604,729 S 11/2009 Andre et al.  
 D605,145 S 12/2009 Kellar  
 D613,283 S 4/2010 Andre et al.  
 D618,232 S 6/2010 O'Neil et al.  
 D620,953 S 8/2010 Andre et al.  
 D621,397 S 8/2010 Andre et al.  
 D650,377 S \* 12/2011 Akana et al. .... D14/314  
 2006/0146491 A1 7/2006 Chen  
 2008/0062636 A1 3/2008 Liu

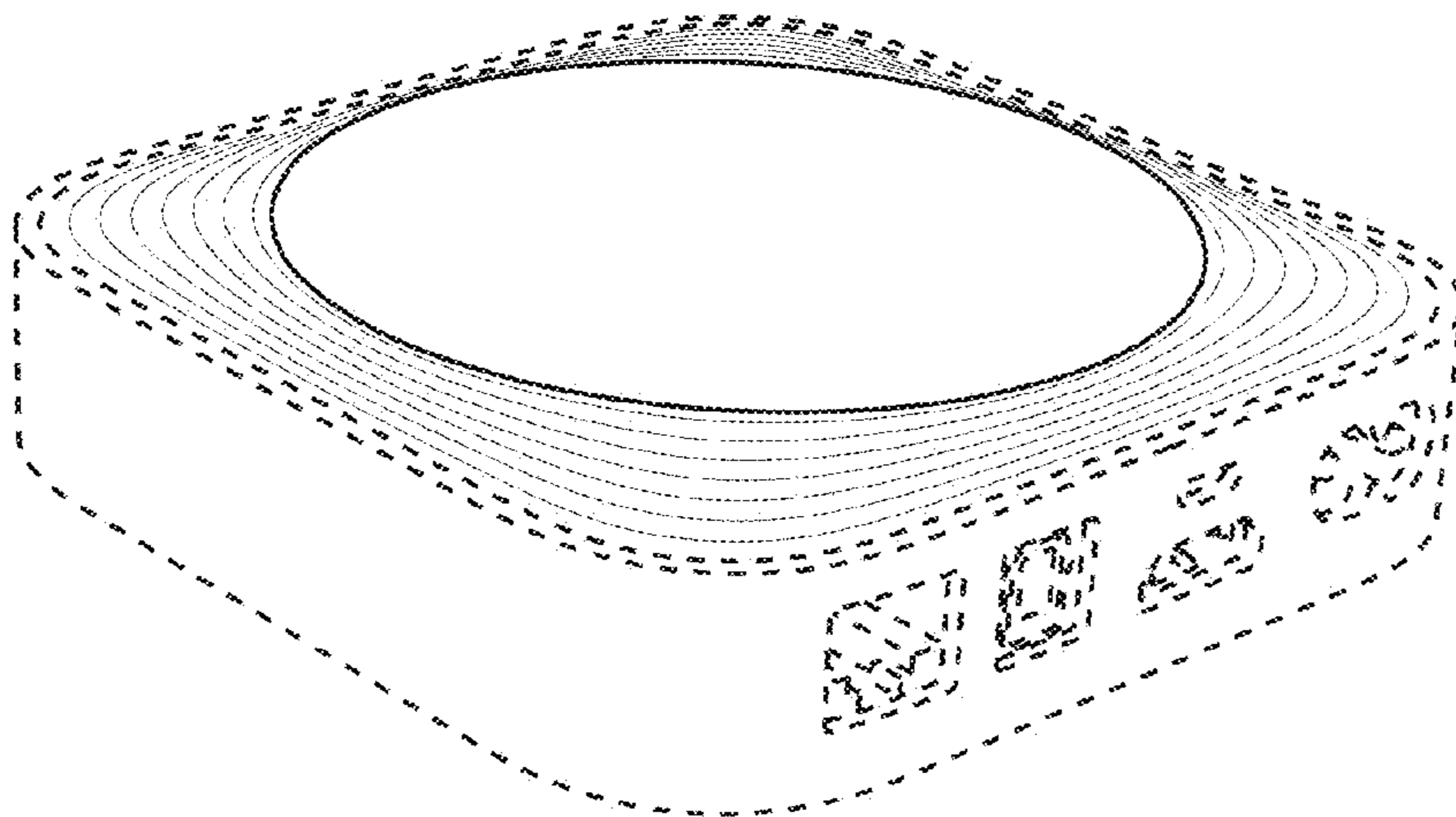
OTHER PUBLICATIONS

Eyegonomic, Eyegonomic Eyebox, [www.eyegonomic.com/page=205](http://www.eyegonomic.com/page=205), available at least as early as Feb. 7, 2005.  
 Green House, Mac Mini, [www.green-house.co.jp](http://www.green-house.co.jp), Nov. 14, 2005.  
 Office action dated Apr. 22, 2008 in U.S. Appl. No. 29/266,005 entitled "Media Device".  
 Office action dated Apr. 23, 2008 in U.S. Appl. No. 29/265,955 entitled "Media Device".  
 Office action dated Nov. 19, 2008 in U.S. Appl. No. 29/265,955 entitled "Media Device".  
 Office action dated Nov. 25, 2008 in U.S. Appl. No. 29/266,005 entitled "Media Device".  
[http://www.amazon.com/gp/product/images/B000CDR8PU/ref=dp\\_othersviews\\_3?ie=UTF8&s=electronics&simg=3](http://www.amazon.com/gp/product/images/B000CDR8PU/ref=dp_othersviews_3?ie=UTF8&s=electronics&simg=3), first available Apr. 2, 2004.  
 U.S. Appl. No. 29/363,840 entitled "Electronic Device" filed Jun. 15, 2010.  
 U.S. Appl. No. 29/415,113 entitled "Electronic Device" filed Mar. 7, 2012.

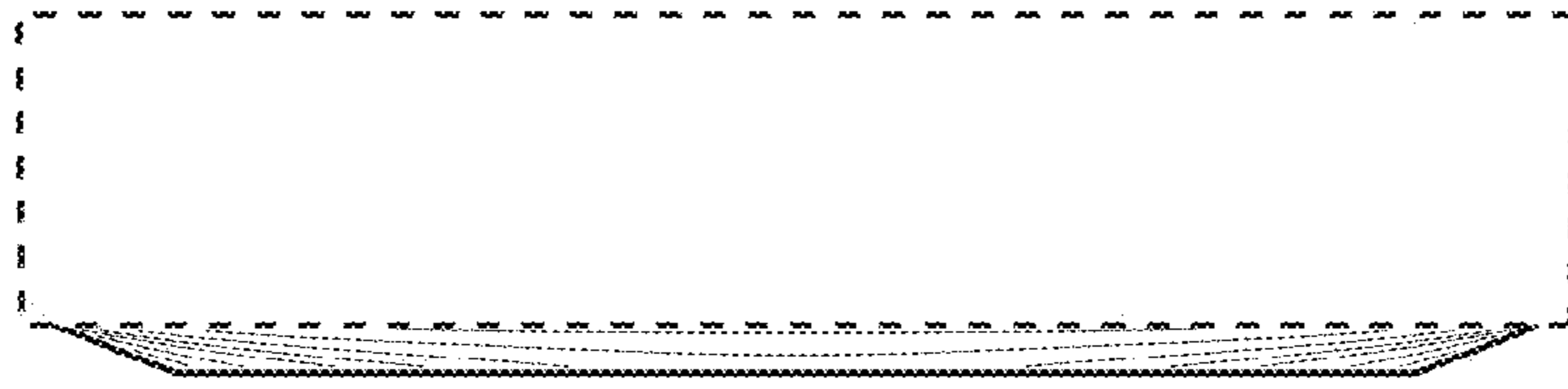
\* cited by examiner



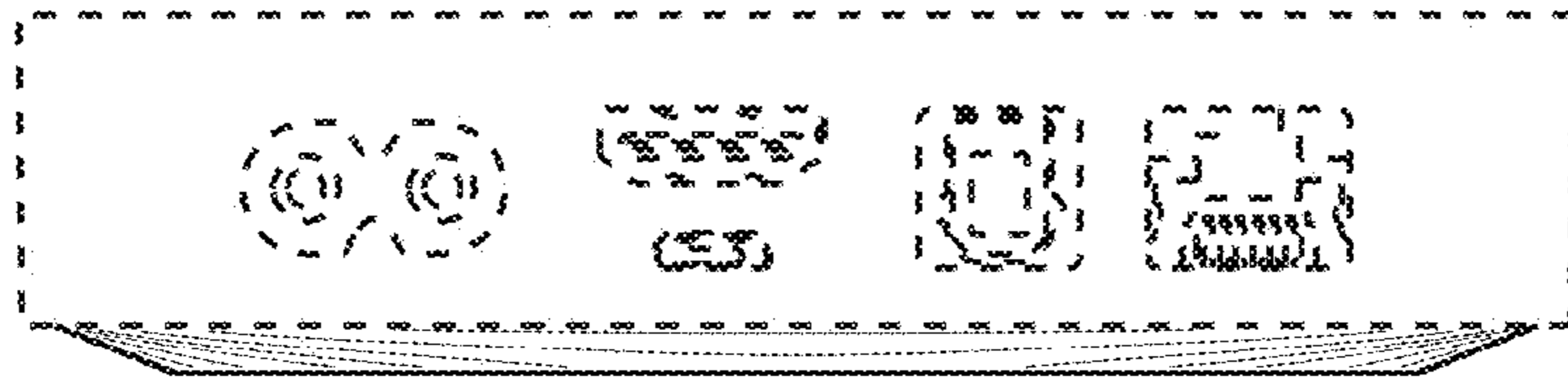
**Fig. 1**



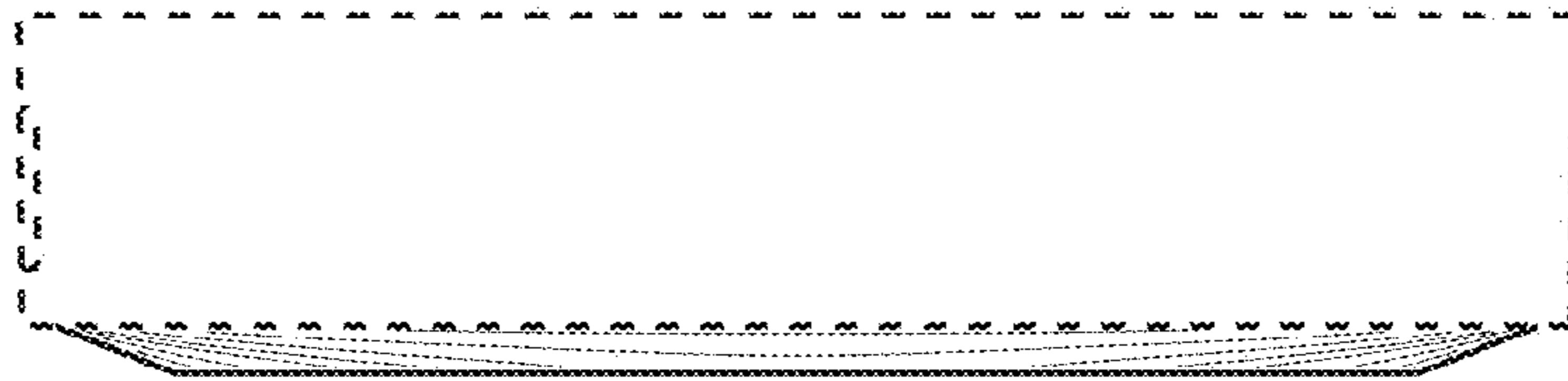
**Fig. 2**



*Fig. 3*



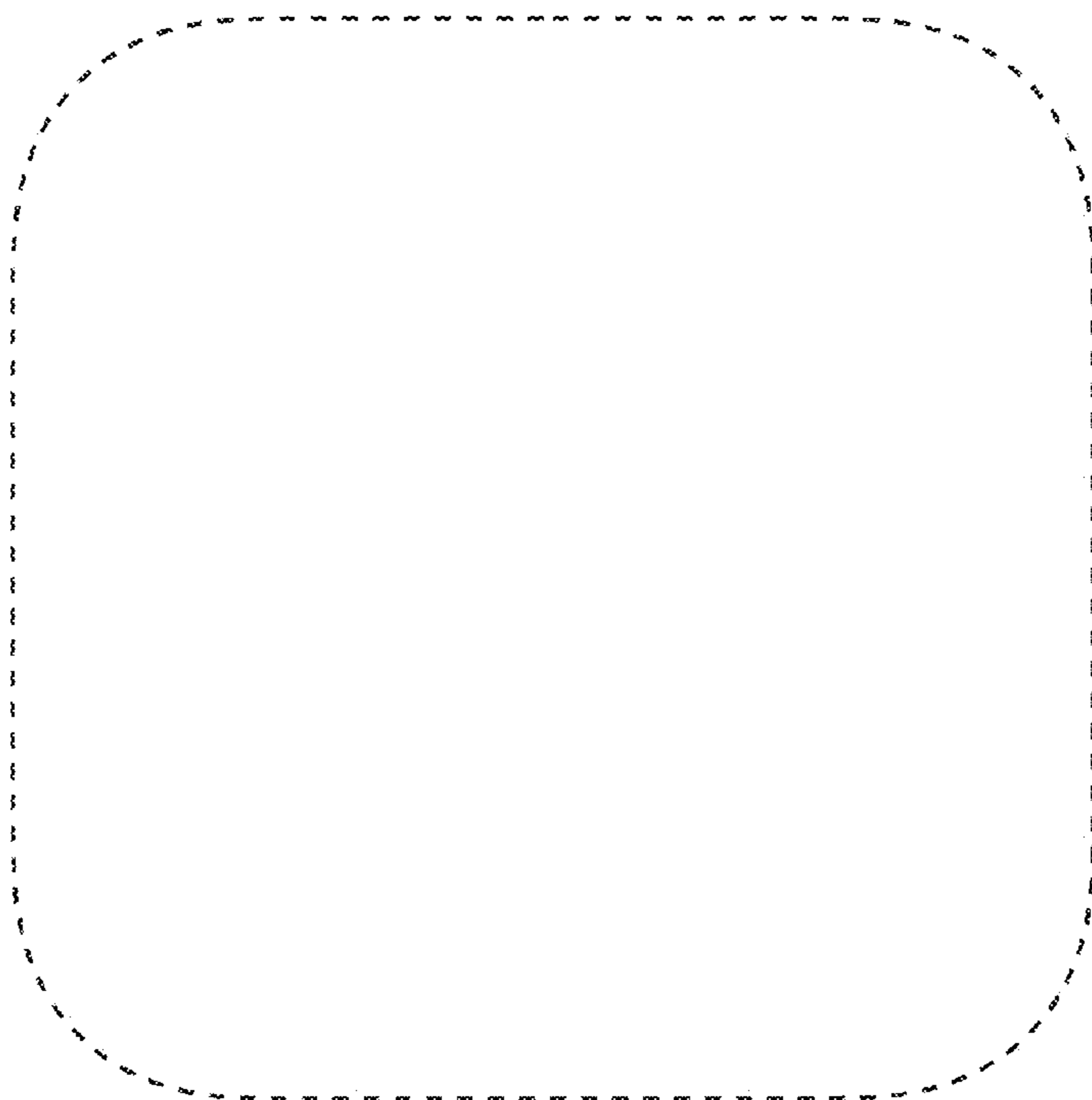
*Fig. 4*



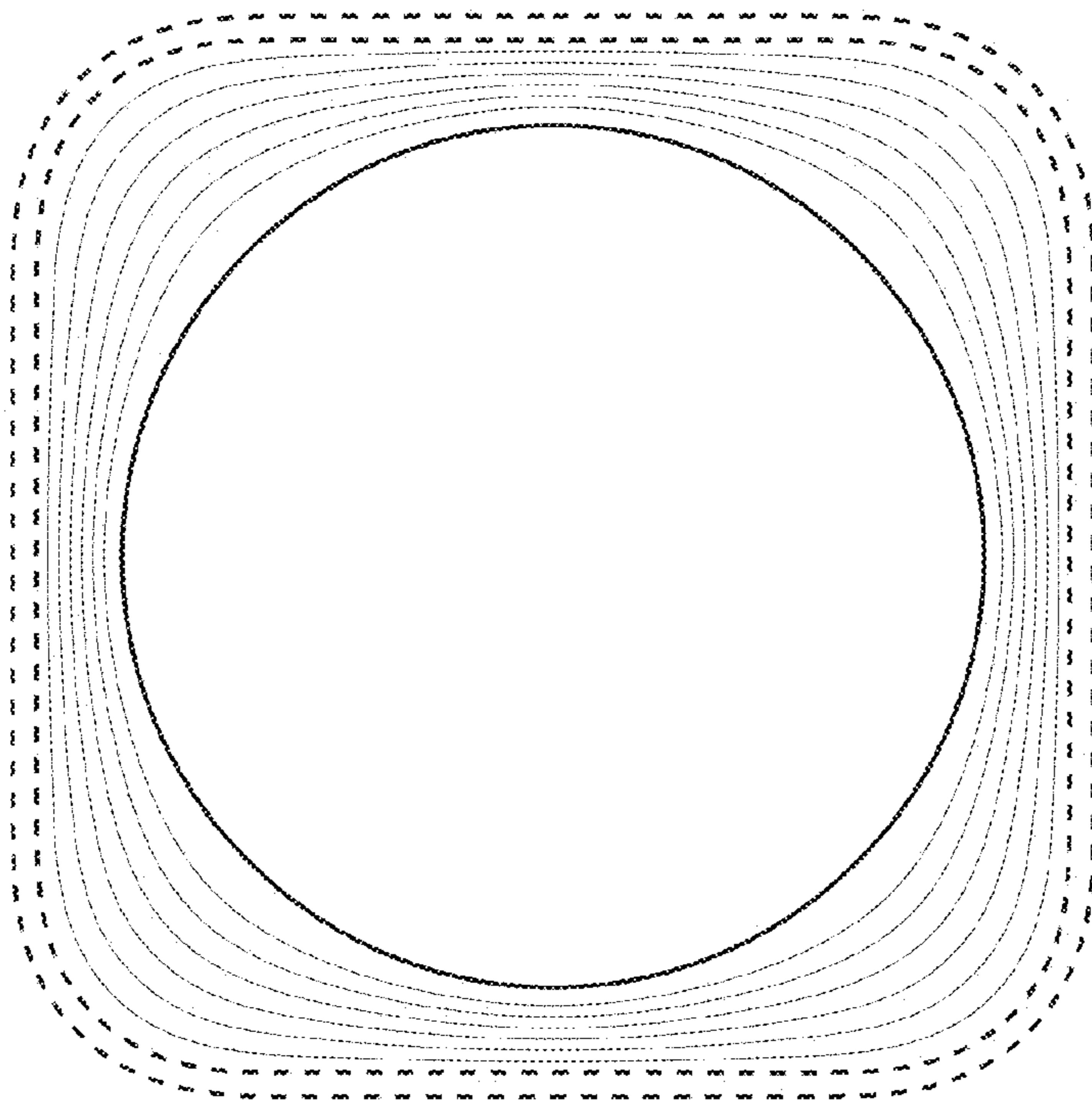
*Fig. 5*



*Fig. 6*



*Fig. 7*



*Fig. 8*