



US00D694744S

(12) **United States Design Patent**
Kim

(10) **Patent No.:** **US D694,744 S**
(45) **Date of Patent:** **** Dec. 3, 2013**

(54) **CASE FOR ELECTRONIC DEVICE**

(71) Applicant: **Samsung Electronics Co., Ltd.**,
Suwon-si (KR)

(72) Inventor: **Yoon-Young Kim**, Seongnam-Si (KR)

(73) Assignee: **Samsung Electronics Co., Ltd.**,
Suwon-si (KR)

(**) Term: **14 Years**

(21) Appl. No.: **29/448,647**

(22) Filed: **Mar. 13, 2013**

(51) **LOC (9) Cl.** **14-03**

(52) **U.S. Cl.**
USPC **D14/250**

(58) **Field of Classification Search**
USPC D14/250–253, 440, 203.3–203.7, 217,
D14/496, 248, 238.1, 240, 447, 341–347,
D14/444; D13/103, 107–108, 119; D3/201,
D3/218, 269, 273, 301, 303, 247–253;
248/309.1, 371, 176.3, 668;
361/679.56, 679.3, 679.25, 816;
379/426, 433.11, 455; 455/575.1,
455/575.8; 206/305, 320; 320/108, 115;
429/96; 220/4.02; 150/165; 16/225;
D19/26, 32; D25/126

See application file for complete search history.

(56) **References Cited**

U.S. PATENT DOCUMENTS

D179,097 S * 10/1956 Smith D3/252
D216,173 S * 11/1969 Kogutt D3/249
D241,280 S * 8/1976 Price D3/251
4,670,938 A * 6/1987 Fowlston 16/225
4,828,132 A * 5/1989 Francis et al. 220/6
D322,987 S * 1/1992 Testro et al. D19/26
D346,618 S * 5/1994 Holmes D19/32
D370,214 S * 5/1996 Kondo
5,729,867 A * 3/1998 Carmichael 16/225

6,003,203 A * 12/1999 Fowlston 16/225
D487,050 S * 2/2004 Hassett D12/417
6,859,358 B2 2/2005 Baldwin et al.
D551,846 S * 10/2007 Ko et al. D3/201
D564,020 S * 3/2008 Brown D19/26

(Continued)

FOREIGN PATENT DOCUMENTS

CN 202653414 U 1/2013

OTHER PUBLICATIONS

Dark chocolate bifold leather iPhone wallet by AwesomeWomen,
webpage copyright 2013, <URL:http://www.etsy.com/listing/
93265653/dark-chocolate-bifold-leather-iphone>, retrieved from
internet on Jul. 26, 2013.*

(Continued)

Primary Examiner — Carla Jobe Wright
(74) *Attorney, Agent, or Firm* — NSIP Law

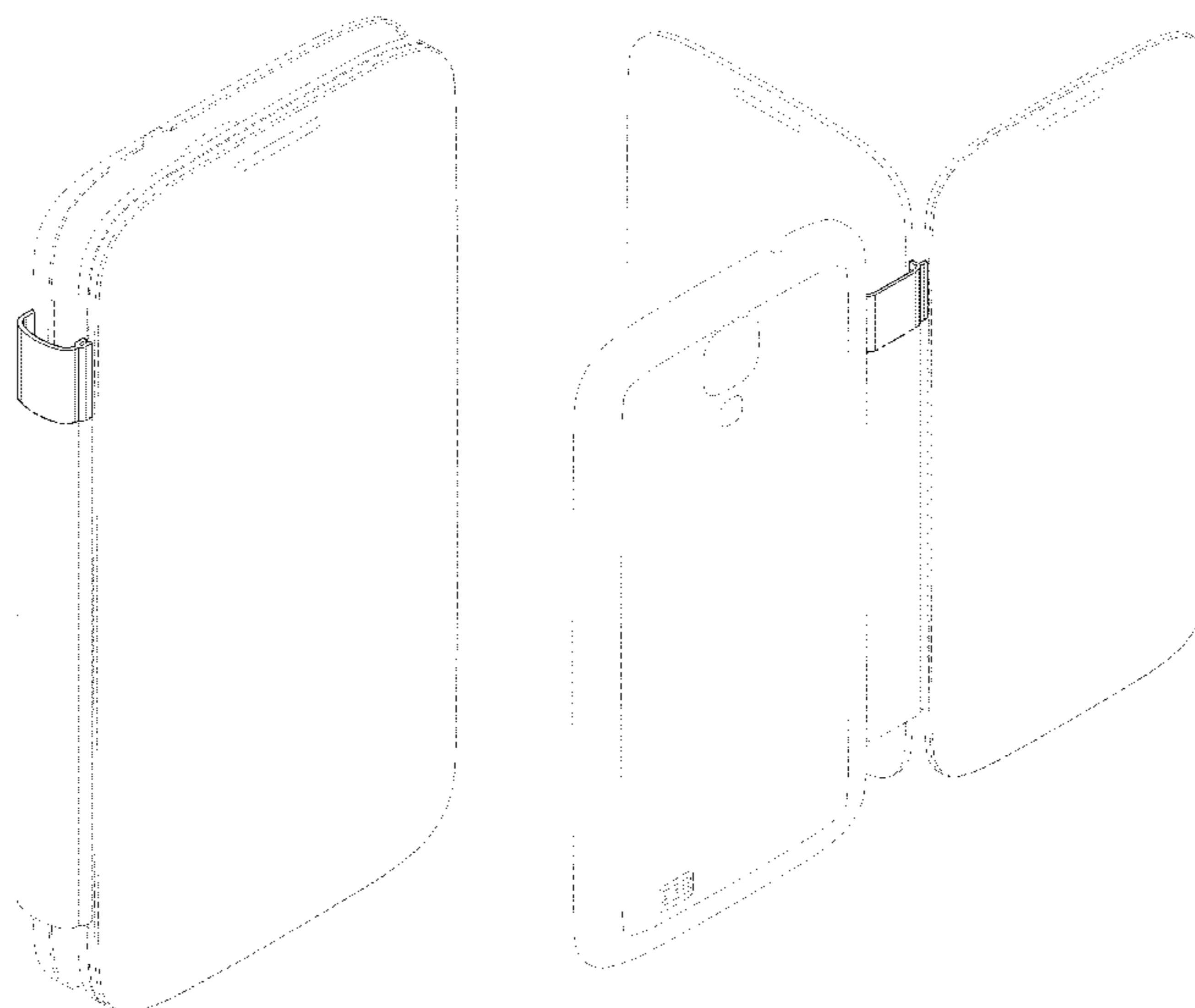
(57) **CLAIM**

The ornamental design for a case for electronic device, as
shown and described.

DESCRIPTION

FIG. 1 is a front perspective view of a case for electronic
device showing our new design;
FIG. 2 is a front view thereof;
FIG. 3 is a rear view thereof;
FIG. 4 is a left-side view thereof;
FIG. 5 is a right-side view thereof;
FIG. 6 is a top plan view thereof;
FIG. 7 is a bottom plan view thereof;
FIG. 8 is an open perspective view thereof; and,
FIG. 9 is an open rear perspective view thereof.
Features shown in broken lines in FIGS. 1, 2, 3, 4, 5, 6, 7, 8,
and 9 form no part of the claimed design. The dot-dash lines
show an unclaimed boundary.

1 Claim, 7 Drawing Sheets



(56)

References Cited

U.S. PATENT DOCUMENTS

D577,910 S * 10/2008 Hollinger D3/247
D593,749 S * 6/2009 Holzner et al. D3/247
D624,064 S 9/2010 Esposito
D641,348 S 7/2011 Kim et al.
D643,132 S * 8/2011 MacKenzie D25/126
D652,829 S 1/2012 Kim et al.
D657,354 S 4/2012 Kim
D674,800 S 1/2013 Kim
D676,051 S 2/2013 Fuchs
D681,620 S 5/2013 Huskinson
D685,799 S * 7/2013 Canizares et al. D14/440
D685,800 S * 7/2013 Canizares et al. D14/440

D685,801 S * 7/2013 Canizares et al. D14/440
D685,802 S * 7/2013 Canizares et al. D14/440
2005/0035006 A1 2/2005 Dohner
2007/0283529 A1* 12/2007 Hashizume et al. 16/225
2008/0053851 A1* 3/2008 Ko et al. 206/320
2013/0165190 A1* 6/2013 Ko et al. 455/575.8

OTHER PUBLICATIONS

Dark chocolate bifold leather iPhone wallet by AwesomeWomen, 1 capture on Jun. 28, 2013, <URL:<http://web.archive.org/web/20130628032413/http://www.etsy.com/listing/93265653/dark-chocolate-bifold-leather-iphone>>, retrieved from internet on Jul. 26, 2013.*

* cited by examiner

FIG. 1

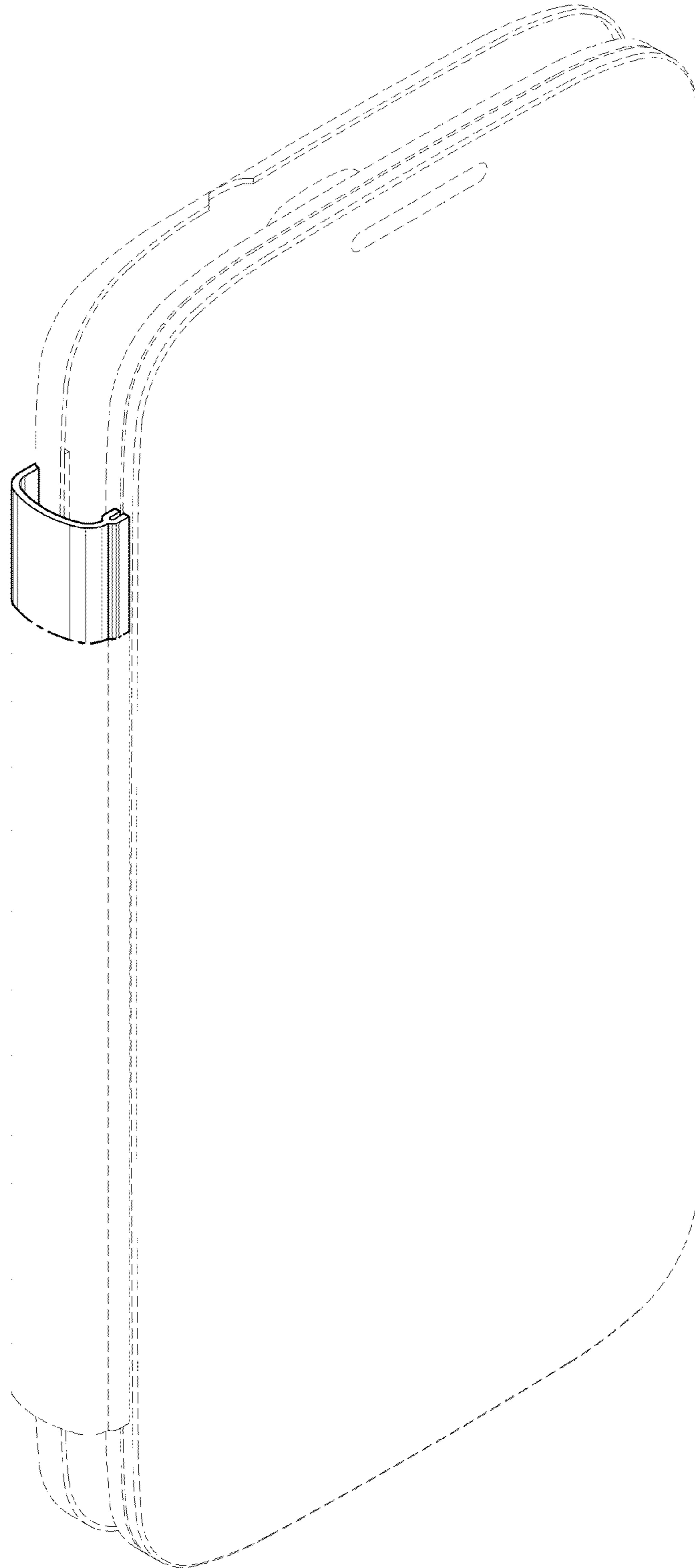


FIG. 2

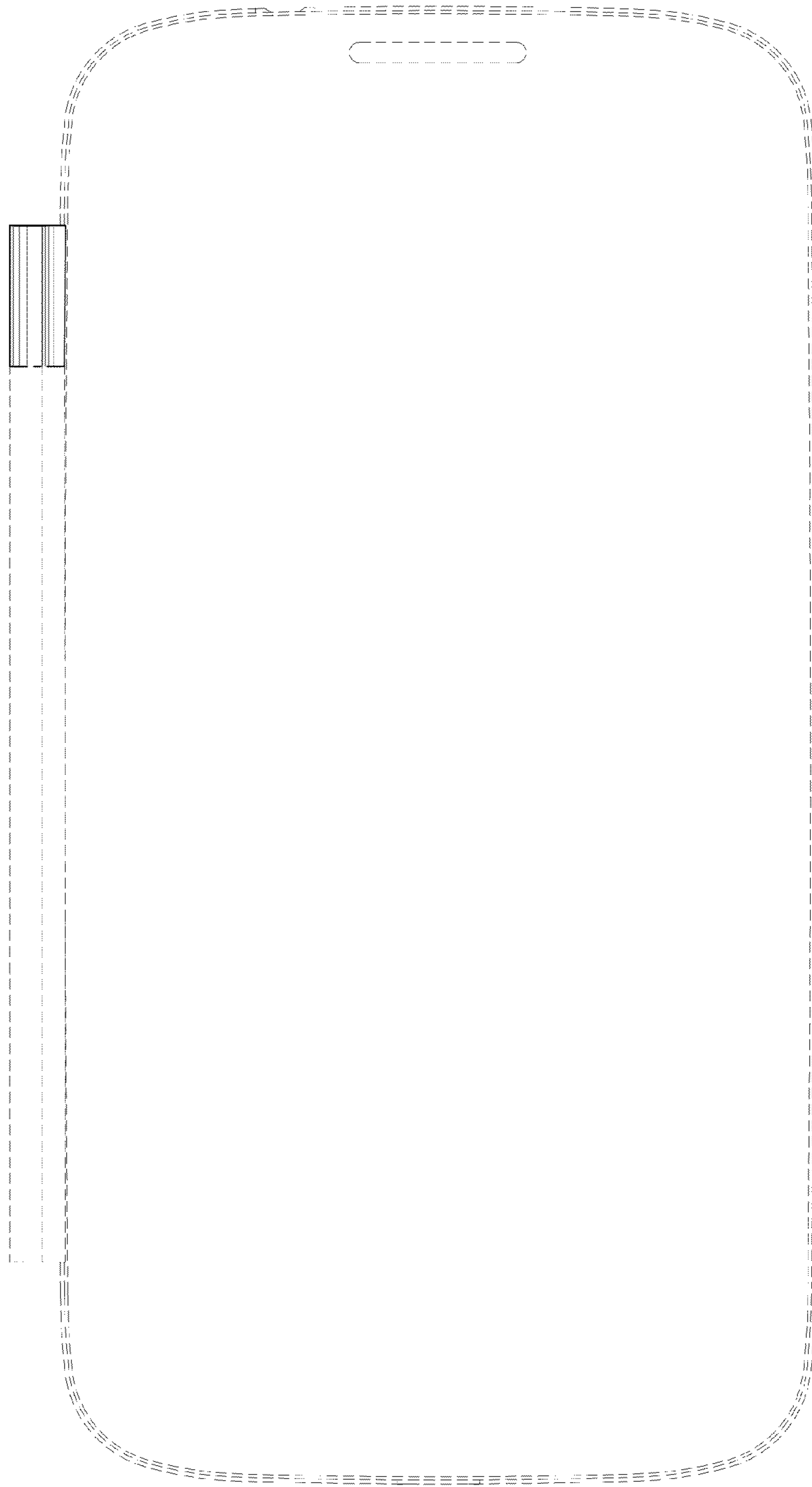


FIG. 3

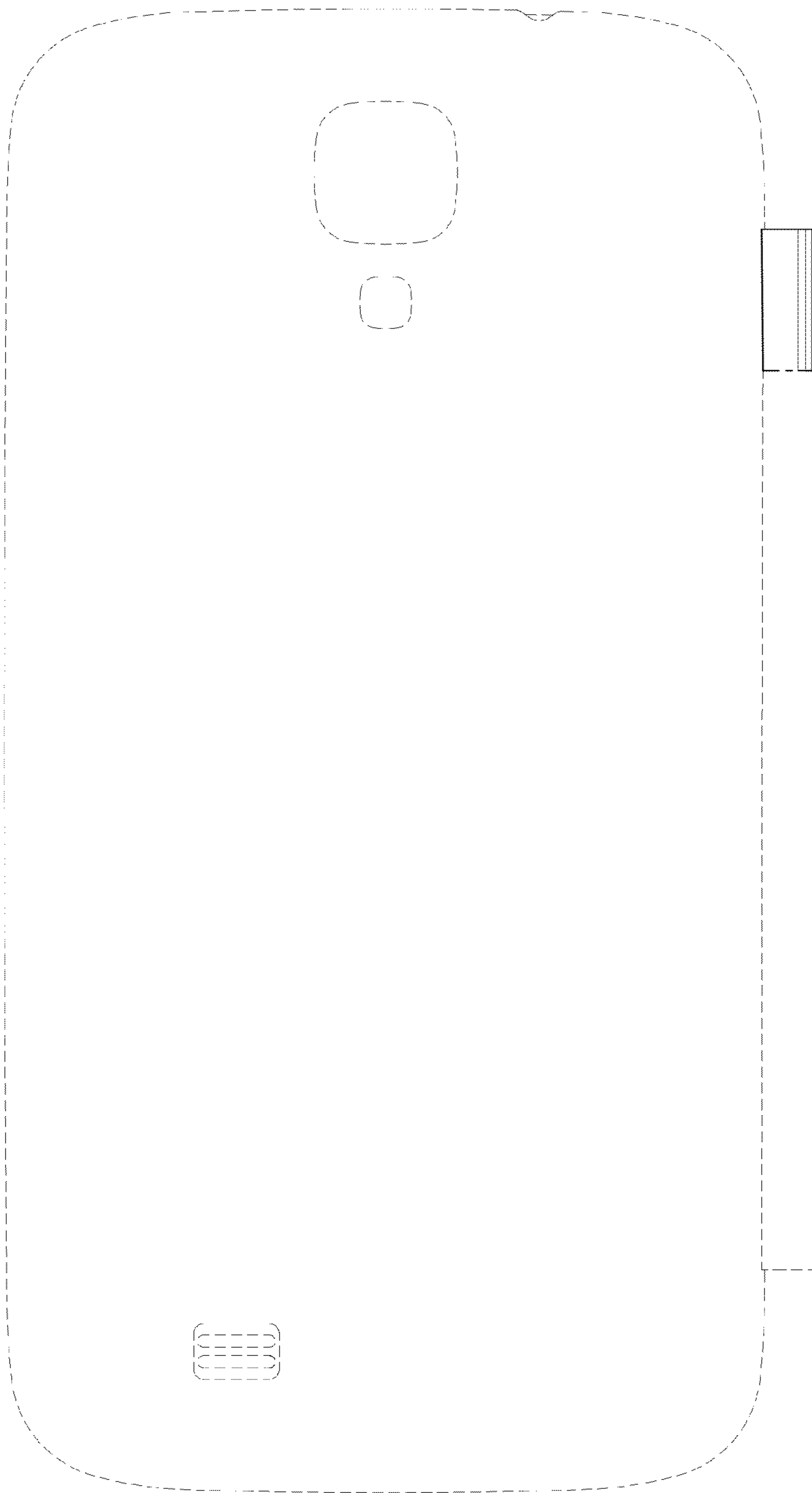


FIG. 4

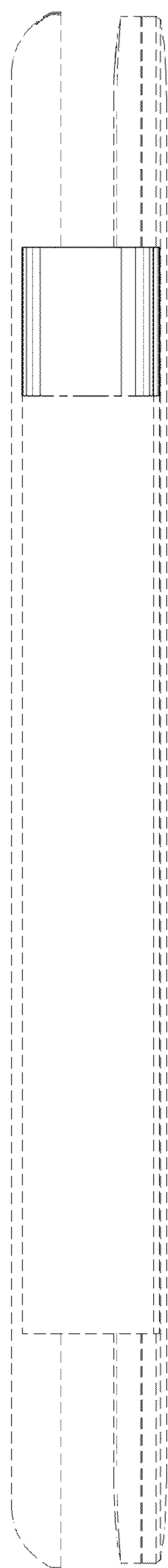


FIG. 5

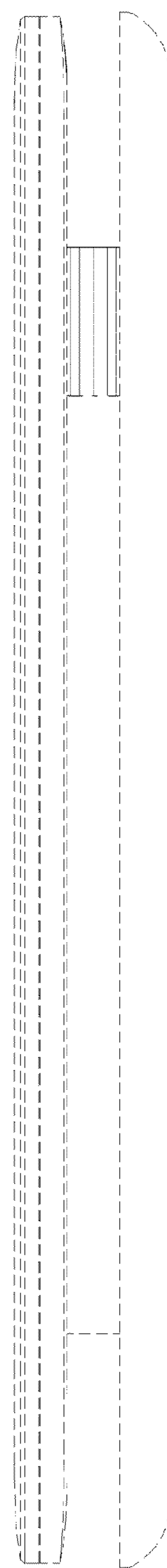


FIG. 6

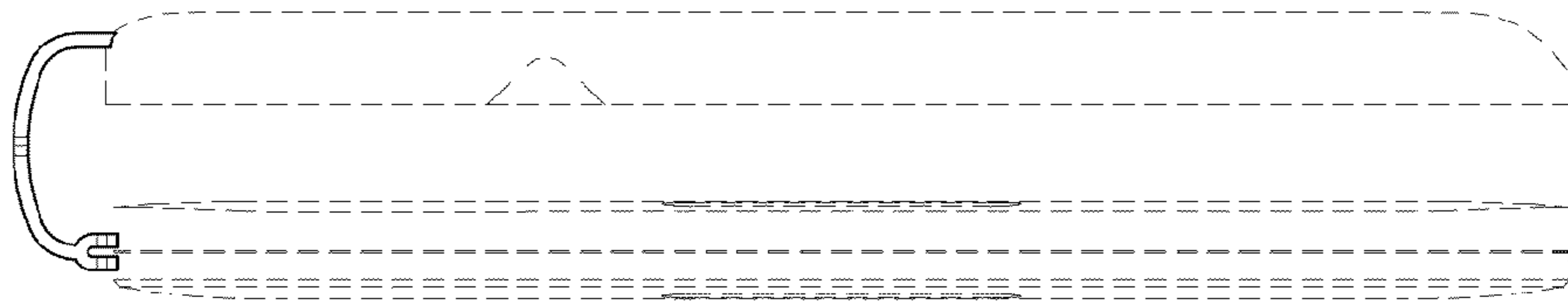


FIG. 7

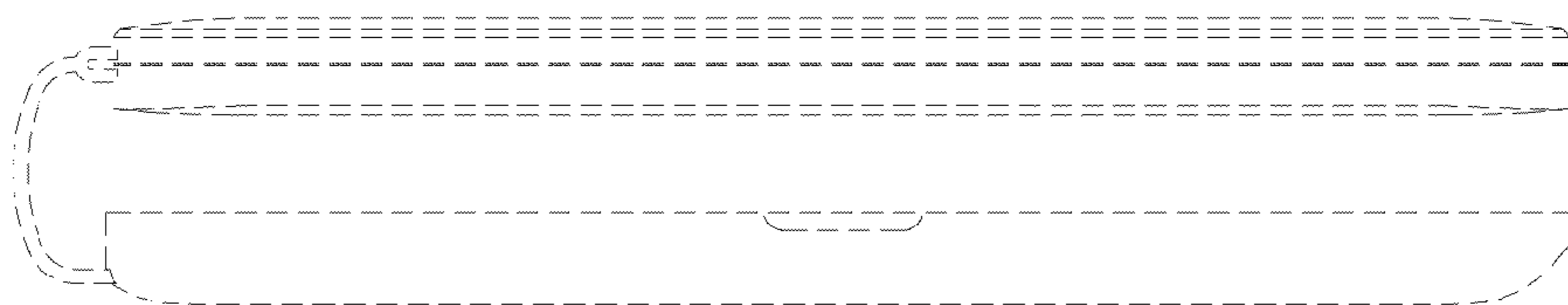


FIG. 8

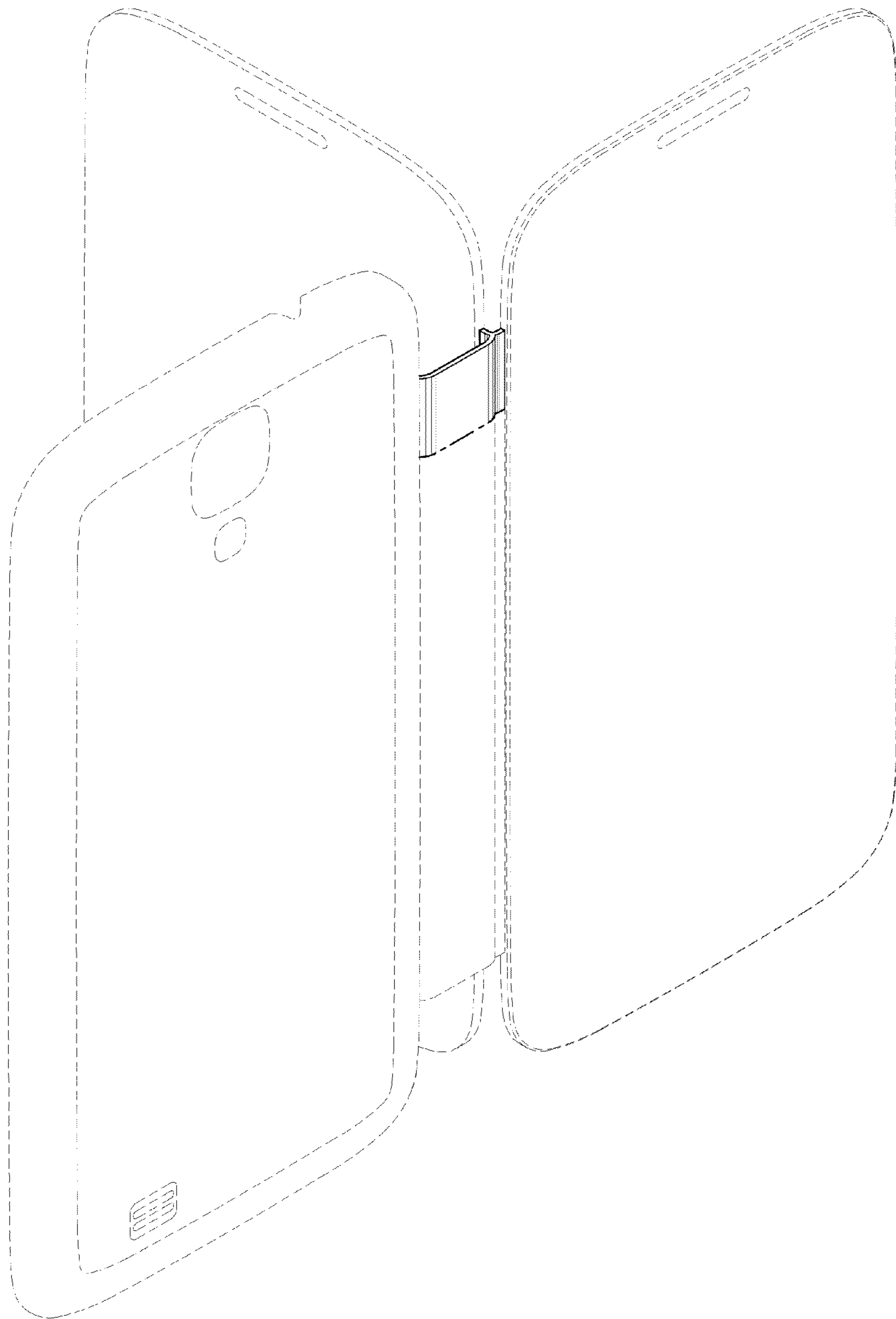


FIG. 9

