



US00D694743S

(12) **United States Design Patent**
Monaco et al.

(10) **Patent No.:** **US D694,743 S**
(45) **Date of Patent:** **** Dec. 3, 2013**

(54) **CASE WITH BOTTLE CAP OPENER FOR HANDHELD ELECTRONIC DEVICE**

(71) Applicants: **Dean Monaco**, Christmas, FL (US);
John Santo, III, Orlando, FL (US)

(72) Inventors: **Dean Monaco**, Christmas, FL (US);
John Santo, III, Orlando, FL (US)

(73) Assignee: **Eat Dirt, LLC**, Orlando, FL (US)

(**) Term: **14 Years**

(21) Appl. No.: **29/446,312**

(22) Filed: **Feb. 22, 2013**

Related U.S. Application Data

(60) Continuation-in-part of application No. 29/409,419, filed on Dec. 22, 2011, now Pat. No. Des. 676,843, which is a division of application No. 29/358,510, filed on Mar. 29, 2010, now Pat. No. Des. 654,068.

(51) **LOC (9) Cl.** **14-03**

(52) **U.S. Cl.**
USPC **D14/250**

(58) **Field of Classification Search**
USPC D14/250, 252, 253, 248, 249, 440, D14/203.7, 217, 203.3, 203.4; D3/201, 218, D3/269; 220/4.02; 224/191, 241, 245; 379/426, 433.01; 455/575.1, 575.8
See application file for complete search history.

(56) **References Cited**

U.S. PATENT DOCUMENTS

2,630,212 A 3/1953 Mosch
2,993,586 A 7/1961 Mosch
4,478,330 A 10/1984 Lin

4,569,653 A 2/1986 Becker
5,531,365 A 7/1996 Donnelly
6,289,542 B1 9/2001 Dignam
D542,785 S * 5/2007 Chung et al. D14/252
7,230,823 B2 6/2007 Richardson
D565,291 S 4/2008 Brandenburg
7,409,237 B2 8/2008 Tages
7,494,239 B2 2/2009 Riccardi
7,648,027 B2 1/2010 Lin

(Continued)

FOREIGN PATENT DOCUMENTS

DE 10014423 4/2001
EP 1030497 8/2000
EP 1484901 8/2004

Primary Examiner — Sheryl Lane

(74) *Attorney, Agent, or Firm* — Brian S. Steinberger; Law Offices of Brian S. Steinberger, P.A.

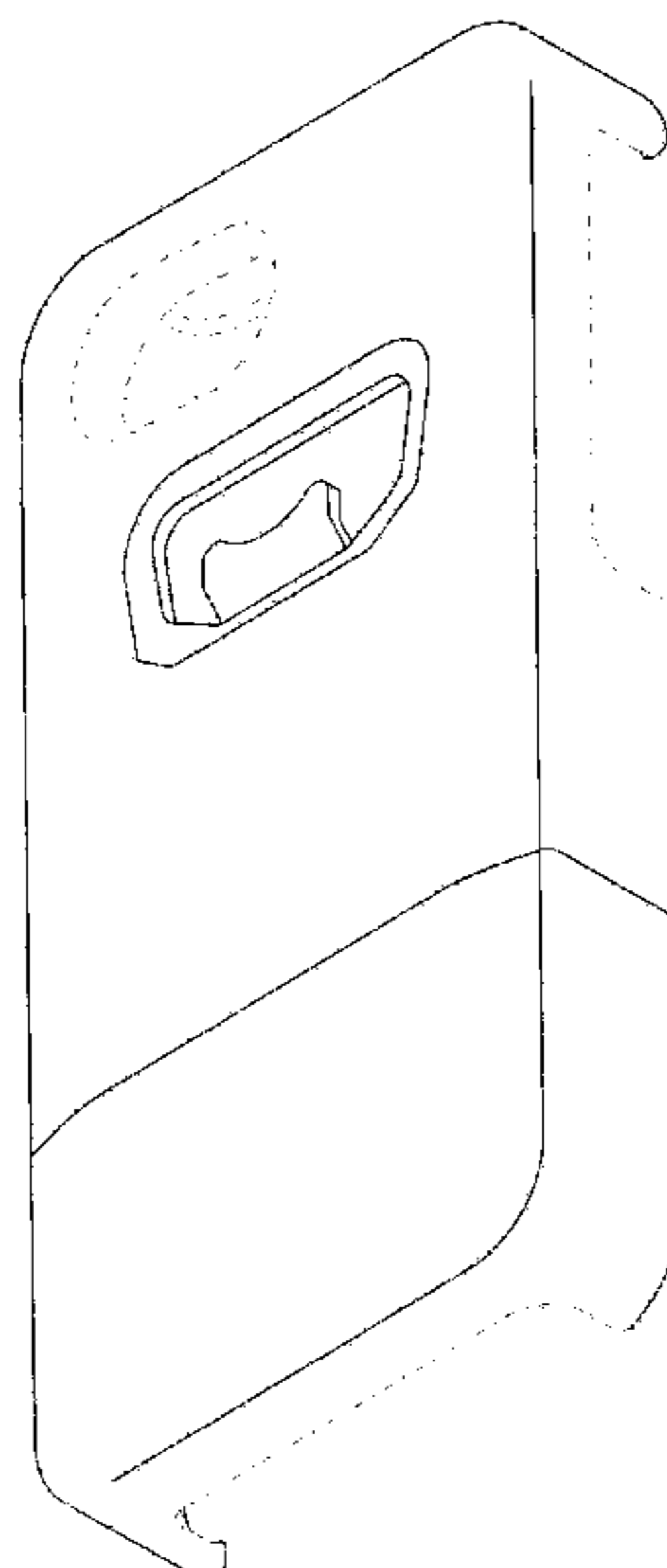
(57) **CLAIM**

The ornamental design for case with bottle cap opener for handheld electronic device, as shown and described.

DESCRIPTION

FIG. 1 is a front perspective view of a novel front plate of a case with bottle cap opener for handheld electronic device. FIG. 2 is a rear perspective view of the novel rear plate for the case and cover of FIG. 1. FIG. 3 is a front view of the case and cover of FIG. 1. FIG. 4 is a rear view of the case and cover of FIG. 2. FIG. 5 is a left side view of the case and cover of FIG. 1. FIG. 6 is a right side view of the case and cover of FIG. 1. FIG. 7 is a top side view of the case and cover of FIG. 1; and, FIG. 8 is a bottom side view of the case and cover of FIG. 1. The broken lines represent portions of the article and form no part of the claimed design.

1 Claim, 4 Drawing Sheets



(56)

References Cited

U.S. PATENT DOCUMENTS

7,673,357	B1	3/2010	Stump	
7,712,645	B2 *	5/2010	Calkin	224/649
D619,573	S	7/2010	Khan	
D623,179	S	9/2010	Richardson	
D623,642	S *	9/2010	Wang	D14/253
D637,590	S	5/2011	Michie	
D638,413	S	5/2011	Magness	
D654,068	S *	2/2012	Monaco et al.	D14/250
D662,923	S *	7/2012	Piedra et al.	D14/250
D667,823	S *	9/2012	Merenda	D14/250
D676,036	S *	2/2013	Chang et al.	D14/250
D676,843	S *	2/2013	Monaco et al.	D14/250
D679,699	S *	4/2013	Piedra et al.	D14/250
D685,362	S *	7/2013	Murchison et al.	D14/250
D685,363	S *	7/2013	Murchison et al.	D14/250
8,485,404	B2 *	7/2013	Monaco et al.	224/666
2002/0048363	A1	4/2002	Scheller	
2003/0139169	A1	7/2003	Arreazola	
2004/0204165	A1	10/2004	Huang	
2005/0255898	A1	11/2005	Huang	
2006/0058081	A1	3/2006	Reichenbach	
2006/0146483	A1 *	7/2006	Patino et al.	361/600
2008/0009329	A1	1/2008	Adler	
2008/0232089	A1 *	9/2008	Riccardi	362/88
2009/0000965	A1	1/2009	Arbel	
2010/0224519	A1	9/2010	Kao	
2011/0136555	A1	6/2011	Ramies	
2011/0253569	A1	10/2011	Lord	

* cited by examiner

FIG. 2

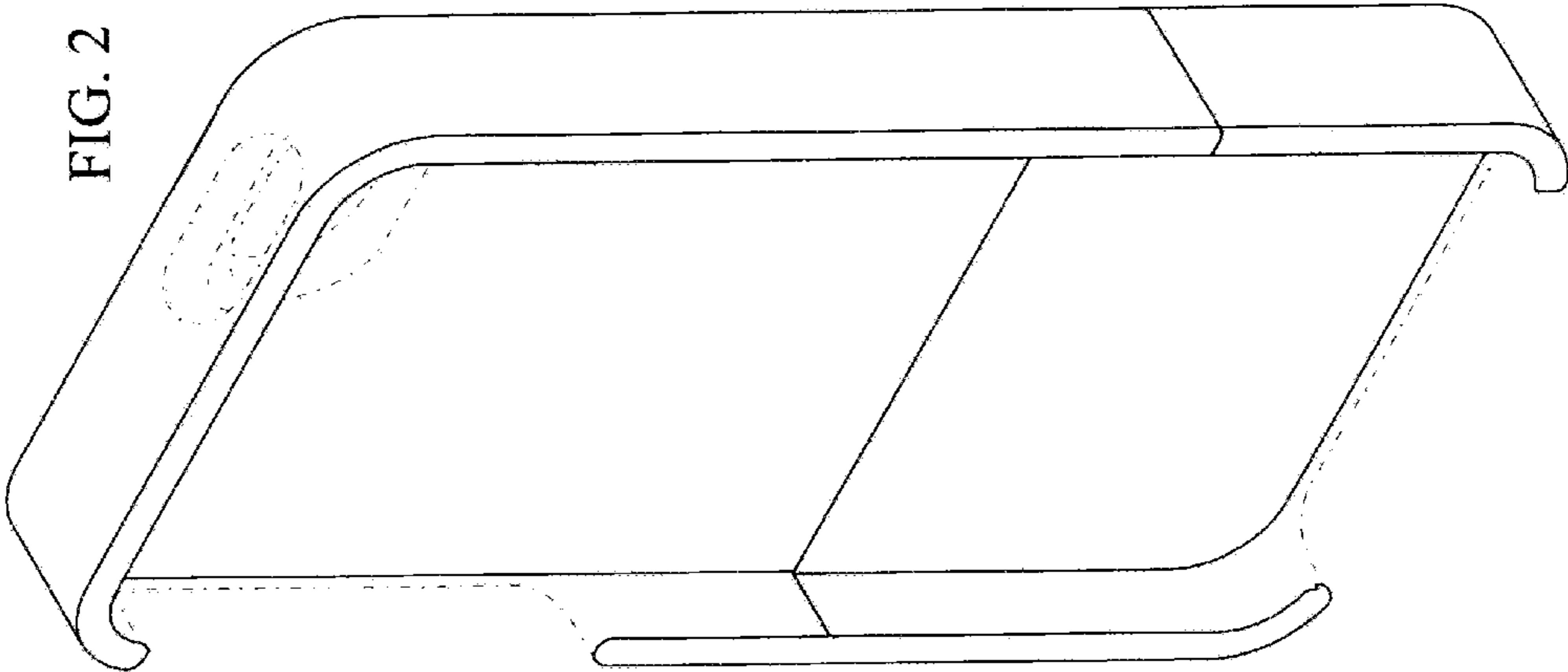


FIG. 1

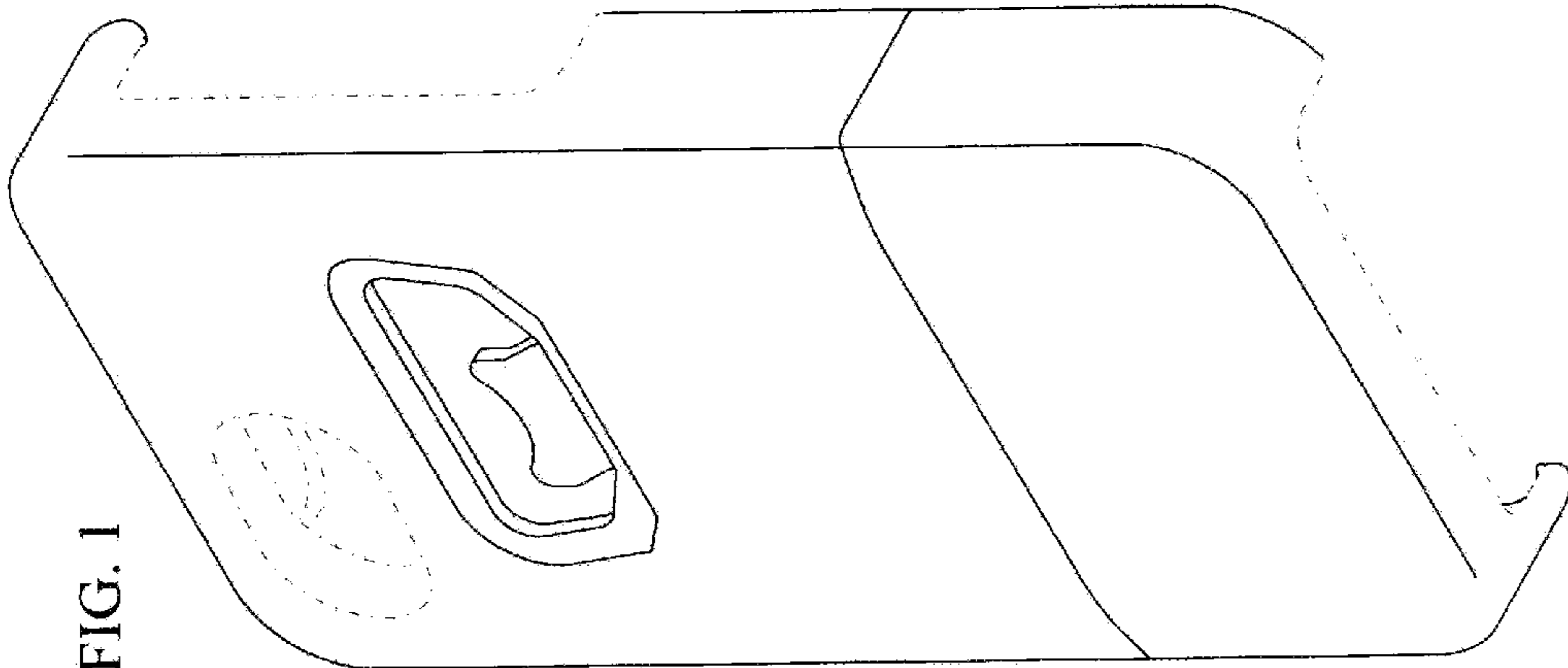


FIG. 3

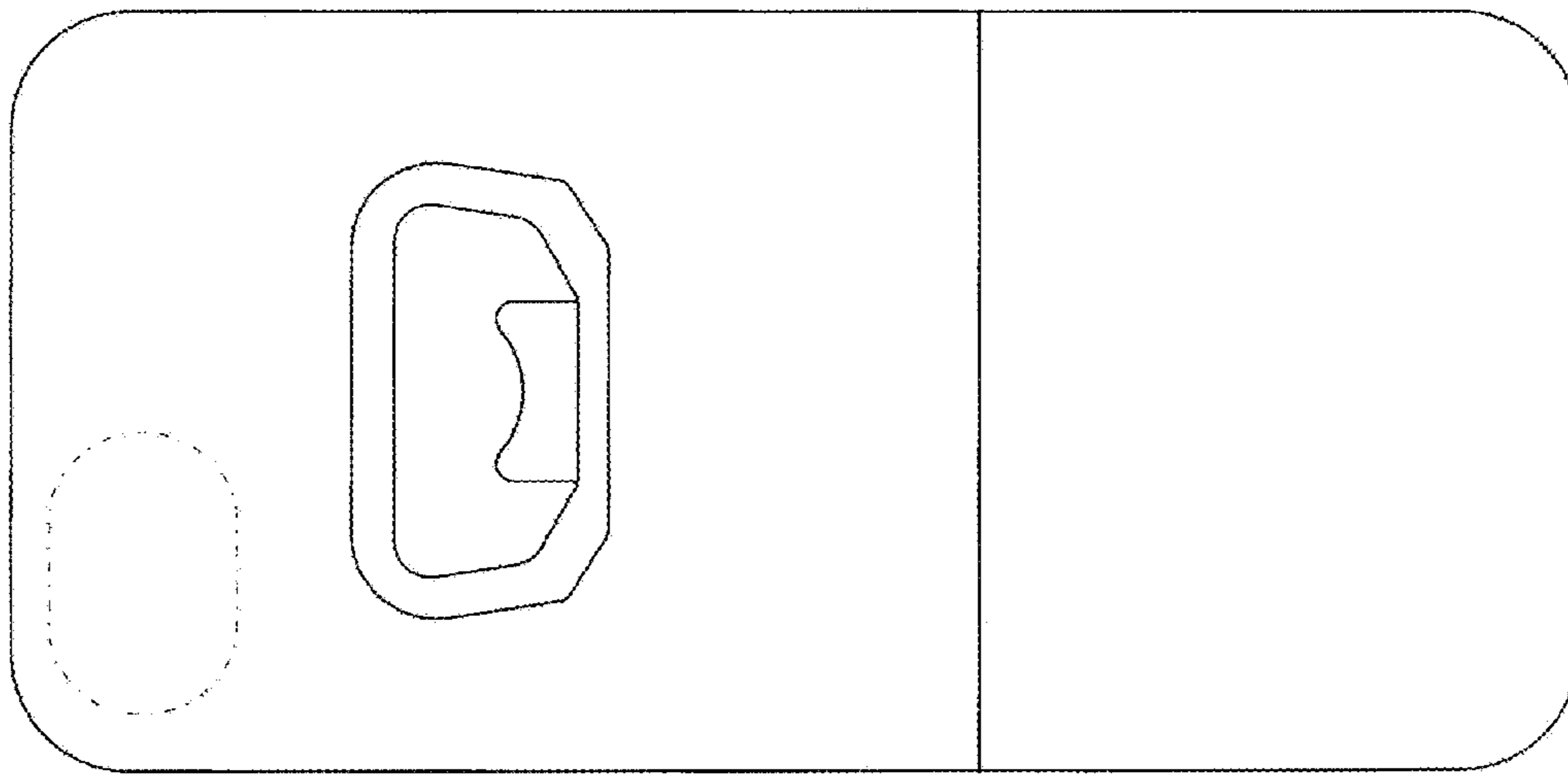
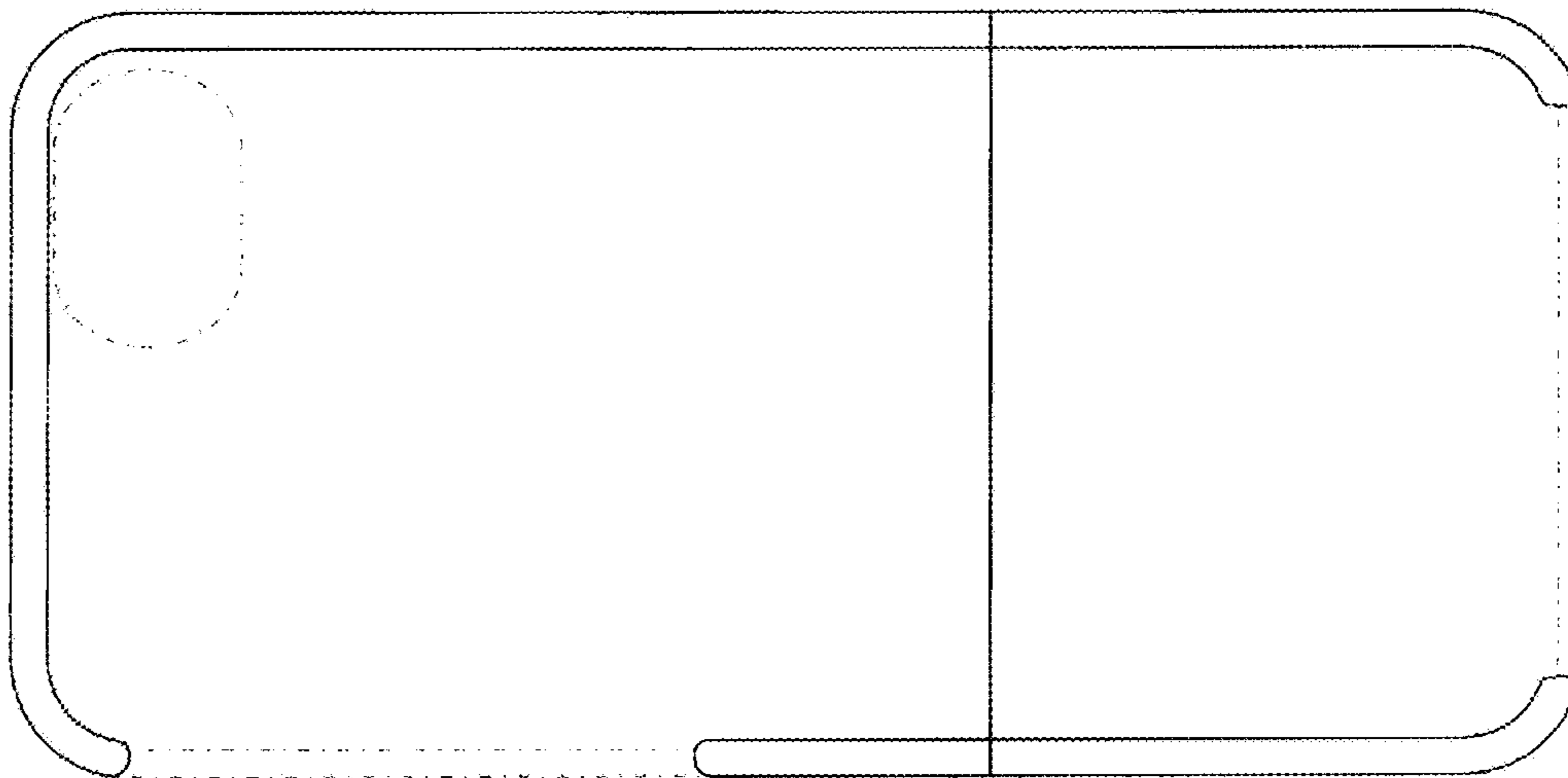


FIG. 4



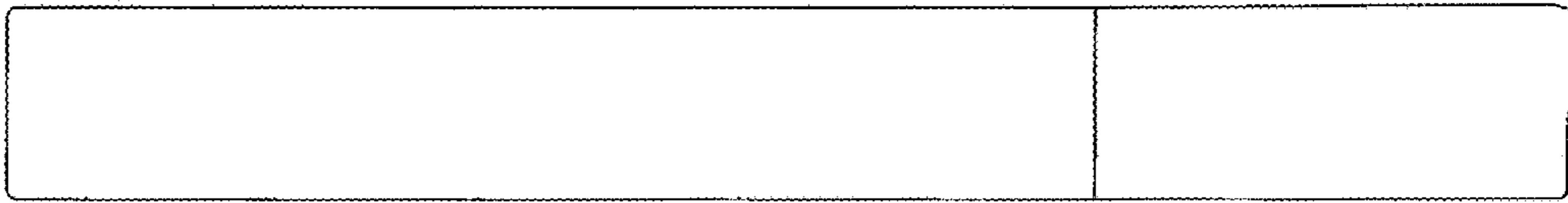


FIG. 6

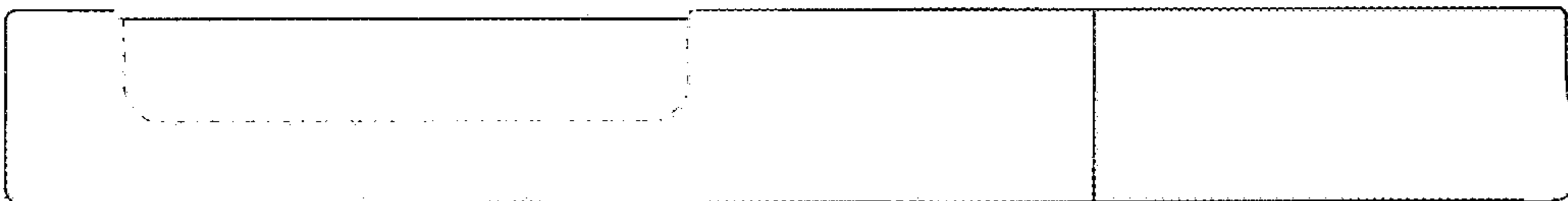


FIG. 5

FIG. 8

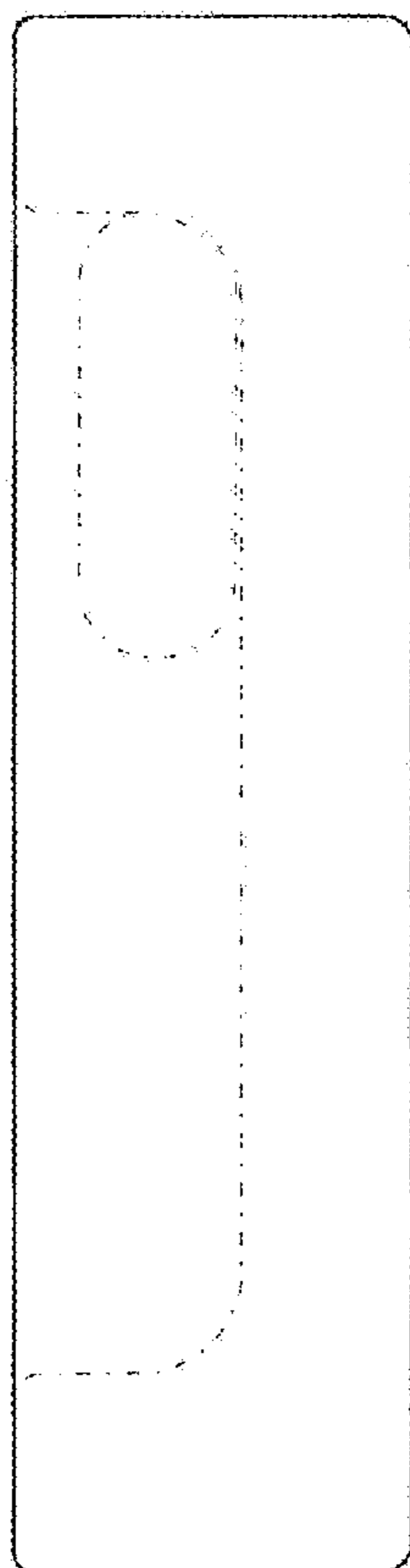


FIG. 7

