

US00D694739S

(12) **United States Design Patent**
Badillo et al.

(10) **Patent No.:** **US D694,739 S**
(45) **Date of Patent:** **** Dec. 3, 2013**

(54) **ADAPTER PLATE FOR USE IN MOUNTING AN AUDIO/VISUAL DEVICE OR THE LIKE TO A SURFACE**

(71) Applicant: **Peerless Industries, Inc.**, Aurora, IL (US)

(72) Inventors: **Ruben D. Badillo**, Shorewood, IL (US);
Jason A. Kifer, Aurora, IL (US)

(73) Assignee: **Peerless Industries, Inc.**, Aurora, IL (US)

(**) Term: **14 Years**

(21) Appl. No.: **29/447,588**

(22) Filed: **Mar. 5, 2013**

(51) **LOC (9) Cl.** **14-03**

(52) **U.S. Cl.**
USPC **D14/239**

(58) **Field of Classification Search**
USPC D14/239, 230–238, 354, 299, 358;
D6/495; D16/242; 343/700 R,
343/878–892; 455/561; D8/354
See application file for complete search history.

(56) **References Cited**

U.S. PATENT DOCUMENTS

D311,126 S *	10/1990	Crowley	D8/354
D329,192 S *	9/1992	Susac	D8/349
5,263,676 A *	11/1993	Medlin et al.	248/300
D427,888 S *	7/2000	Hannon	D8/354
D488,708 S	4/2004	Lam et al.		
D489,599 S	5/2004	Lam		
D505,858 S	6/2005	O'Keene		
7,028,961 B1	4/2006	Dittmer et al.		
D534,904 S *	1/2007	Crawford	D14/238
D542,628 S *	5/2007	Brassard	D8/354
D558,560 S	1/2008	Ciungan		
D558,561 S	1/2008	Ciungan		
D558,562 S	1/2008	Ciungan et al.		

D558,563 S	1/2008	Ciungan		
D558,564 S	1/2008	Ciungan		
D559,087 S	1/2008	Ciungan		
D559,088 S	1/2008	Ciungan		
D560,677 S *	1/2008	Wohlford et al.	D14/451
D562,113 S	2/2008	Ciungan et al.		
7,404,535 B2	7/2008	Mossman et al.		
D588,067 S *	3/2009	Seropian	D13/152

(Continued)

OTHER PUBLICATIONS

Munari prodotti, I prodotti della collezione "M-Line", http://www.munari.it/vedit/15/elenco_prodotti.asp?pagina=1669&collezione=15, Jan. 11, 2013, 3 pages.

(Continued)

Primary Examiner — Randall Gholson

(74) *Attorney, Agent, or Firm* — Foley & Lardner LLP

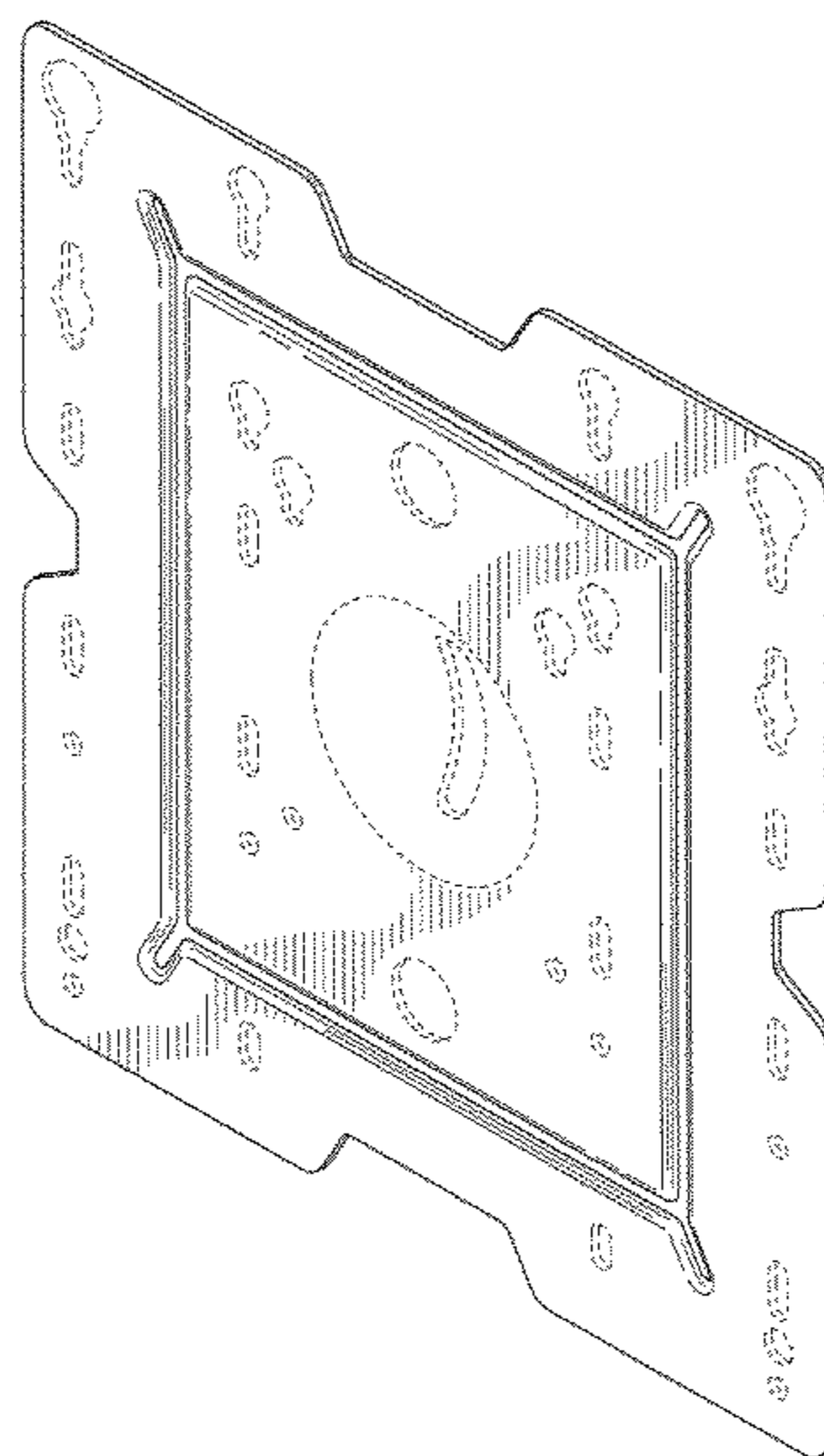
(57) **CLAIM**

We claim the ornamental design for an adapter plate for use in mounting an audio/visual device or the like to a surface, as shown and described.

DESCRIPTION

FIG. 1 is an isometric view of the claimed design.
FIG. 2 is a front elevational view of the claimed design of FIG. 1,
FIG. 3 is a rear elevational view of the claimed design of FIG. 1.
FIG. 4 is a right side elevational view of the claimed design of FIG. 1, the left side elevational view being a mirror image thereof; and,
FIG. 5 is a top plan view of the claimed design of FIG. 1, the bottom plan view being a mirror image thereof.
The broken lines in the drawings are included for the purpose of illustrating subject matter that forms no part of the claimed design.

1 Claim, 4 Drawing Sheets



(56)

References Cited

U.S. PATENT DOCUMENTS

D593,104 S 5/2009 Gillespie
7,641,163 B2 1/2010 O'Keene
7,753,332 B2 7/2010 O'Keene
D627,579 S 11/2010 Gillespie
7,832,700 B2 11/2010 Ciungan
D628,566 S 12/2010 Molter
7,866,621 B1 1/2011 Walters
D634,946 S 3/2011 Gillespie
D637,897 S * 5/2011 Tedesco et al. D8/394
D638,023 S 5/2011 Skull et al.
D646,685 S 10/2011 Skull et al.
8,028,964 B2 10/2011 Monaco

8,157,233 B2 4/2012 O'Keene
D662,103 S 6/2012 Brandt
D662,104 S 6/2012 Brandt
8,196,760 B1 6/2012 Gillespie
D666,207 S 8/2012 Brandt
8,251,325 B2 8/2012 Molter

OTHER PUBLICATIONS

2010 Autumn Edition Loctek, Locktek Visual Technology Corp.,
www.loctek.com, pp. 10, 21, 25-34, 44, 57-58, 69-75 and 77.
U.S. Appl. No. 29/447,614, filed Mar. 5, 2013, Ruben D. Badillo.
U.S. Appl. No. 29/447,617, filed Mar. 5, 2013, Ruben D. Badillo.
U.S. Appl. No. 13/785,901, filed Mar. 5, 2013, Jason A. Kifer.

* cited by examiner

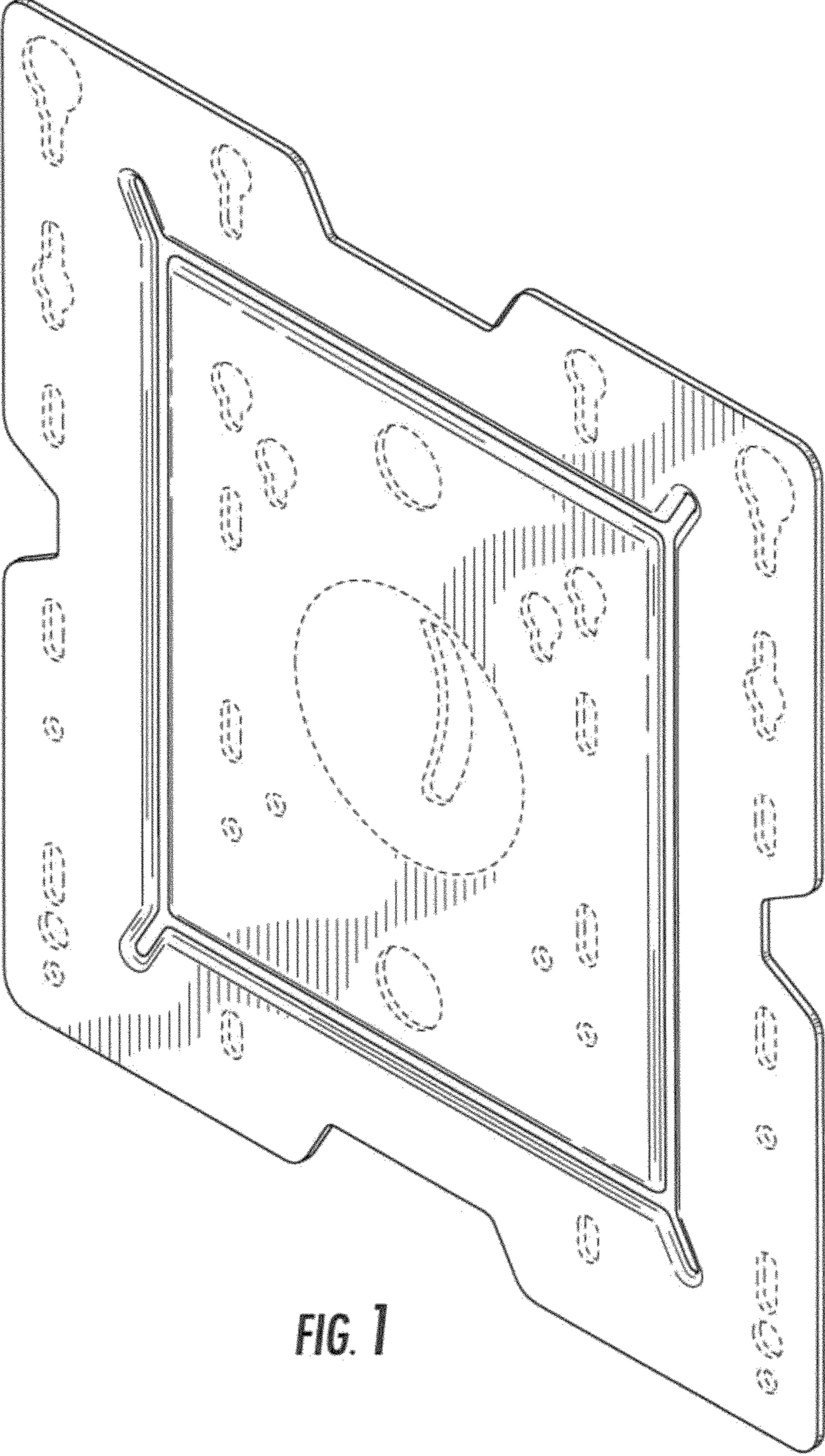


FIG. 1

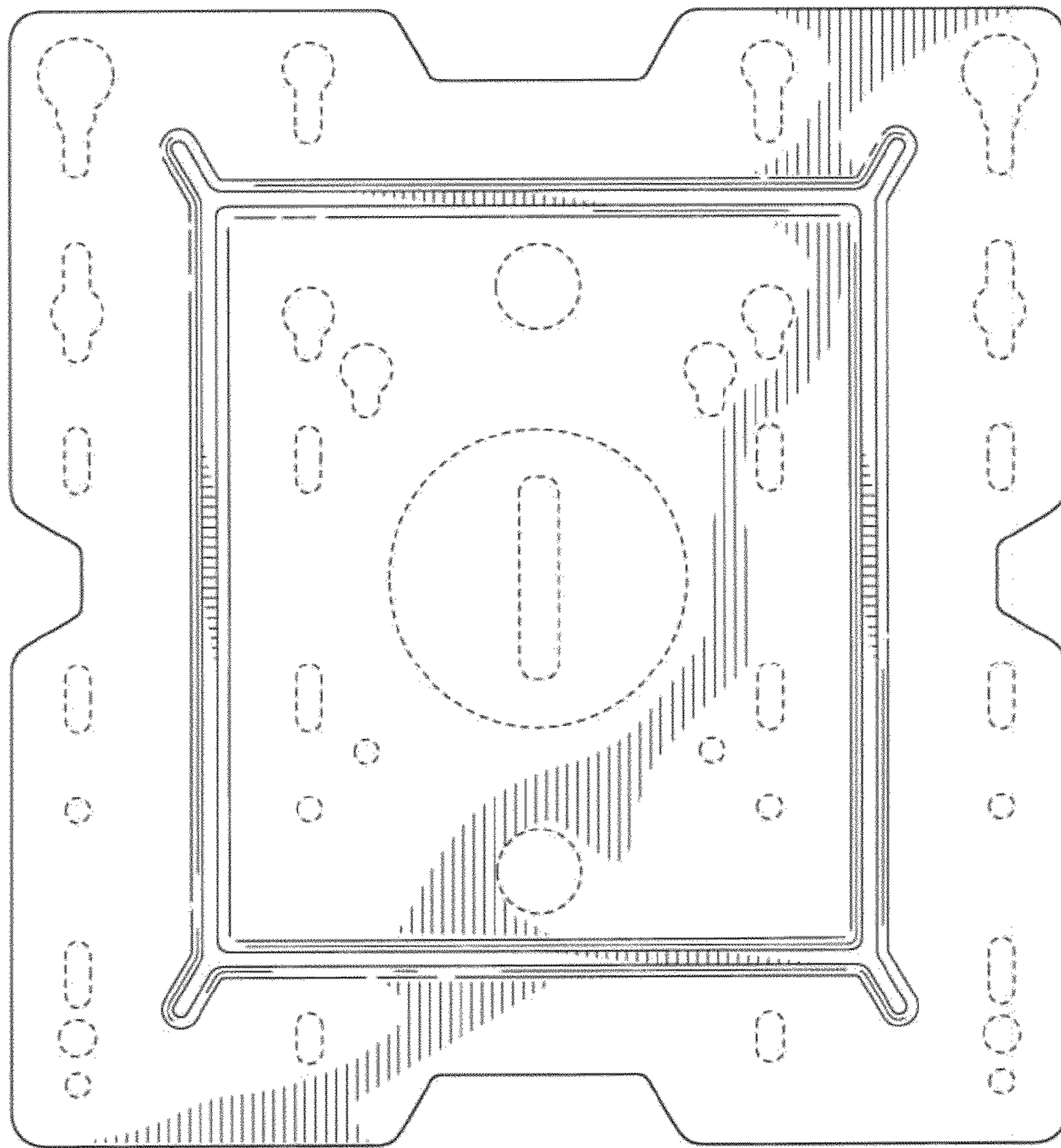


FIG. 2

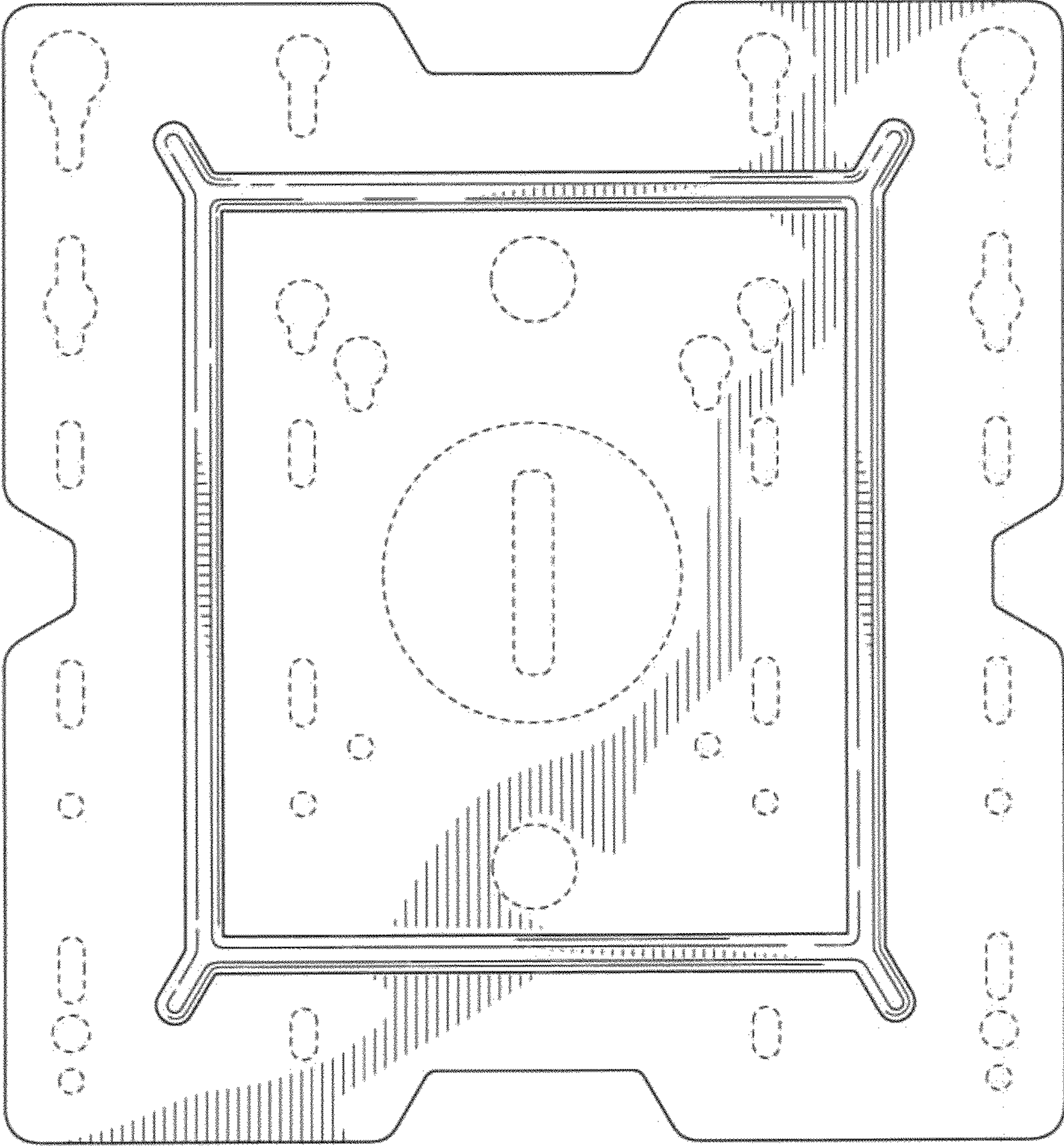


FIG. 3

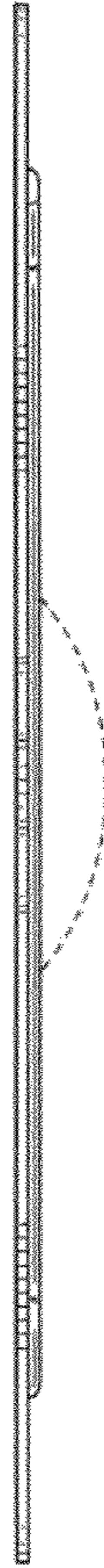


FIG. 4

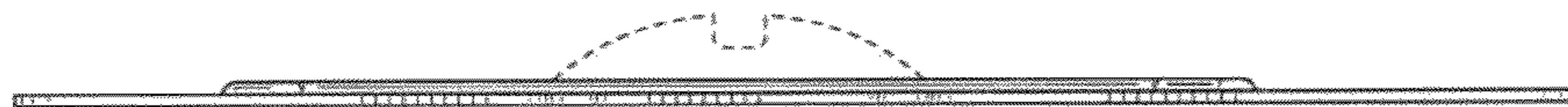


FIG. 5