

US00D694738S

(12) **United States Design Patent**
Yang

(10) **Patent No.:** **US D694,738 S**

(45) **Date of Patent:** **** Dec. 3, 2013**

- (54) **ANTENNA**
- (71) Applicant: **Airgain, Inc.**, Carlsbad, CA (US)
- (72) Inventor: **Xiao Ping Yang**, Carlsbad, CA (US)
- (73) Assignee: **Airgain, Inc.**, Carlsbad, CA (US)
- (**) Term: **14 Years**
- (21) Appl. No.: **29/455,547**
- (22) Filed: **May 22, 2013**
- (51) **LOC (9) Cl.** **14-03**
- (52) **U.S. Cl.**
USPC **D14/230**
- (58) **Field of Classification Search**
USPC D14/138, 230–238, 299, 358; D12/42,
D12/43; 343/700 MS, 700 R–705, 711–713,
343/735, 736, 741, 748, 767, 795, 819, 840,
343/846, 866, 871–908; 455/90.2, 90.3, 91,
455/128, 269, 344, 347, 562.1; 333/193,
333/195

See application file for complete search history.

(56) **References Cited**

U.S. PATENT DOCUMENTS

7,061,437	B2	6/2006	Lin et al.	
7,148,849	B2	12/2006	Lin	
D546,821	S	7/2007	Oliver	
D549,696	S	8/2007	Oshima et al.	
7,333,067	B2 *	2/2008	Hung et al.	343/770
D573,589	S	7/2008	Montgomery et al.	
7,405,704	B1	7/2008	Lin et al.	
7,477,195	B2	1/2009	Vance	
D592,195	S	5/2009	Wu et al.	
D599,334	S *	9/2009	Chiang	D14/230
D606,053	S	12/2009	Wu et al.	
D607,442	S	1/2010	Su et al.	

D608,354	S *	1/2010	Yang et al.	D14/230
D608,769	S	1/2010	Bufe	
D612,368	S	3/2010	Yang et al.	
7,705,783	B2 *	4/2010	Rao et al.	343/700 MS
D621,819	S *	8/2010	Tsai et al.	D14/230
7,843,390	B2 *	11/2010	Liu	343/700 MS
D632,681	S *	2/2011	Yu et al.	D14/230
D633,483	S *	3/2011	Su et al.	D14/230
D635,127	S	3/2011	Tsai et al.	
D635,560	S	4/2011	Tsai et al.	
D635,963	S *	4/2011	Podduturi	D14/230
D635,964	S	4/2011	Podduturi	
D635,965	S	4/2011	Mi et al.	
D636,382	S	4/2011	Podduturi	
D649,962	S	12/2011	Tseng et al.	
D651,198	S	12/2011	Mi et al.	
D654,059	S	2/2012	Mi et al.	
D654,060	S	2/2012	Ko et al.	
D658,639	S	5/2012	Huang et al.	
D659,129	S	5/2012	Mi et al.	
D659,685	S	5/2012	Huang et al.	
D659,688	S	5/2012	Huang et al.	

(Continued)

Primary Examiner — John Windmuller

(74) *Attorney, Agent, or Firm* — Clause Eight IPS; Michael Catania

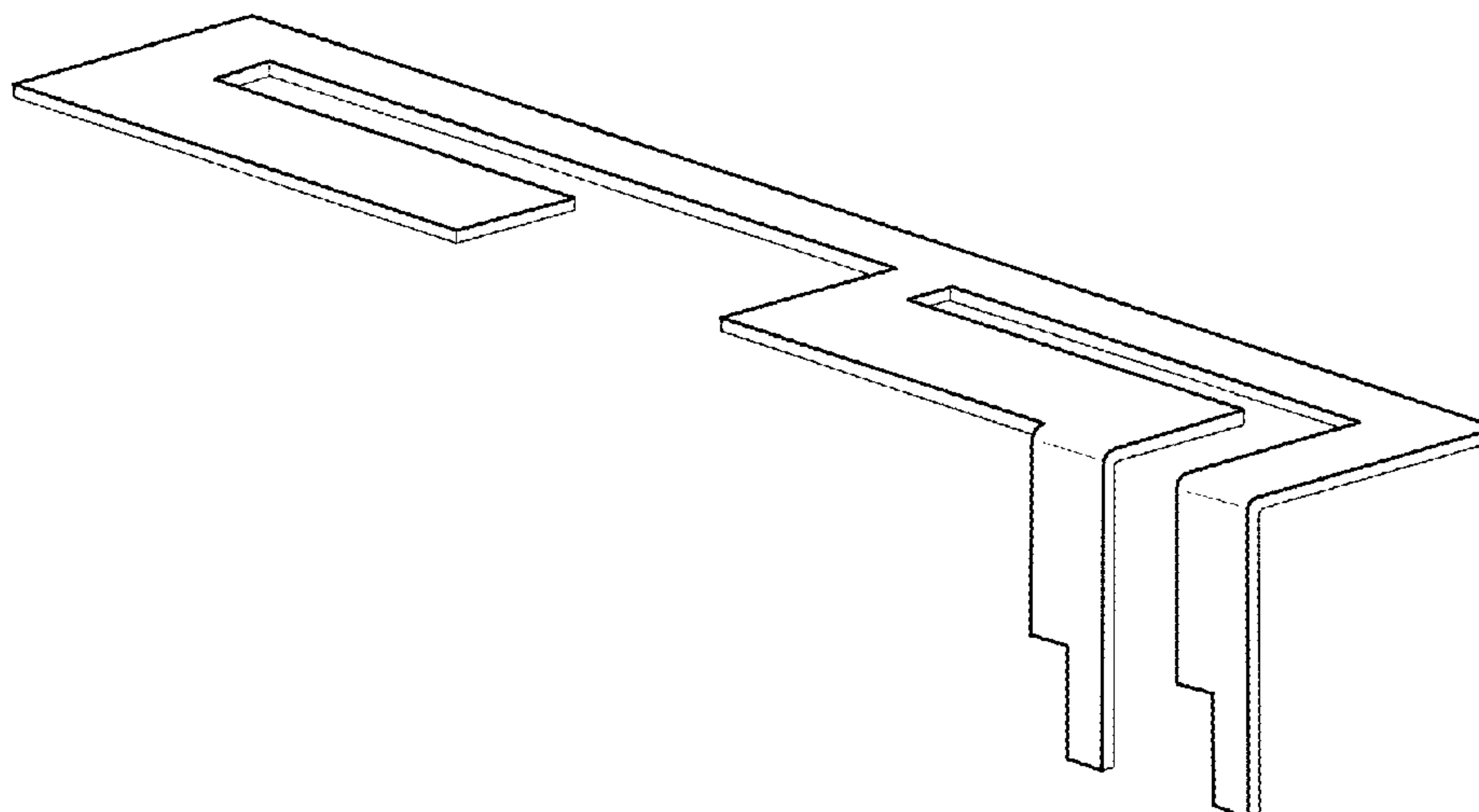
(57) **CLAIM**

The ornamental design for an antenna, as shown and described.

DESCRIPTION

FIG. 1 is a front top perspective view of an antenna.
 FIG. 2 is a front plan view of the antenna of FIG. 1.
 FIG. 3 is a side plan view of the antenna of FIG. 1.
 FIG. 4 is a side plan view of the antenna of FIG. 1.
 FIG. 5 is a bottom plan view of the antenna of FIG. 1; and,
 FIG. 6 is a rear top perspective view of the antenna of FIG. 1.

1 Claim, 2 Drawing Sheets



(56)

References Cited

U.S. PATENT DOCUMENTS

D662,916 S	7/2012	Huang et al.		2006/0208900 A1	9/2006	Tavassoli Hozouri	
D671,097 S	11/2012	Mi et al.		2007/0030203 A1 *	2/2007	Tsai et al.	343/702
D676,429 S	2/2013	Gosalia et al.		2008/0150829 A1	6/2008	Lin et al.	
D678,255 S	3/2013	Ko et al.		2009/0002244 A1 *	1/2009	Woo	343/702
D684,565 S *	6/2013	Wei	D14/230	2009/0058739 A1 *	3/2009	Konishi	343/702
D685,352 S *	7/2013	Wei	D14/230	2009/0135072 A1	5/2009	Ke et al.	
D685,772 S	7/2013	Zheng et al.		2009/0262028 A1	10/2009	Mumbru et al.	
2002/0003499 A1	1/2002	Kouam et al.		2010/0188297 A1	7/2010	Chen et al.	
2004/0222936 A1	11/2004	Hung et al.		2010/0309067 A1	12/2010	Tsou et al.	
2005/0073462 A1	4/2005	Lin et al.		2011/0006950 A1	1/2011	Park et al.	
2005/0190108 A1	9/2005	Lin et al.		2012/0038514 A1	2/2012	Bang	
				2012/0229348 A1	9/2012	Chiang	
				2012/0242546 A1	9/2012	Hu et al.	

* cited by examiner

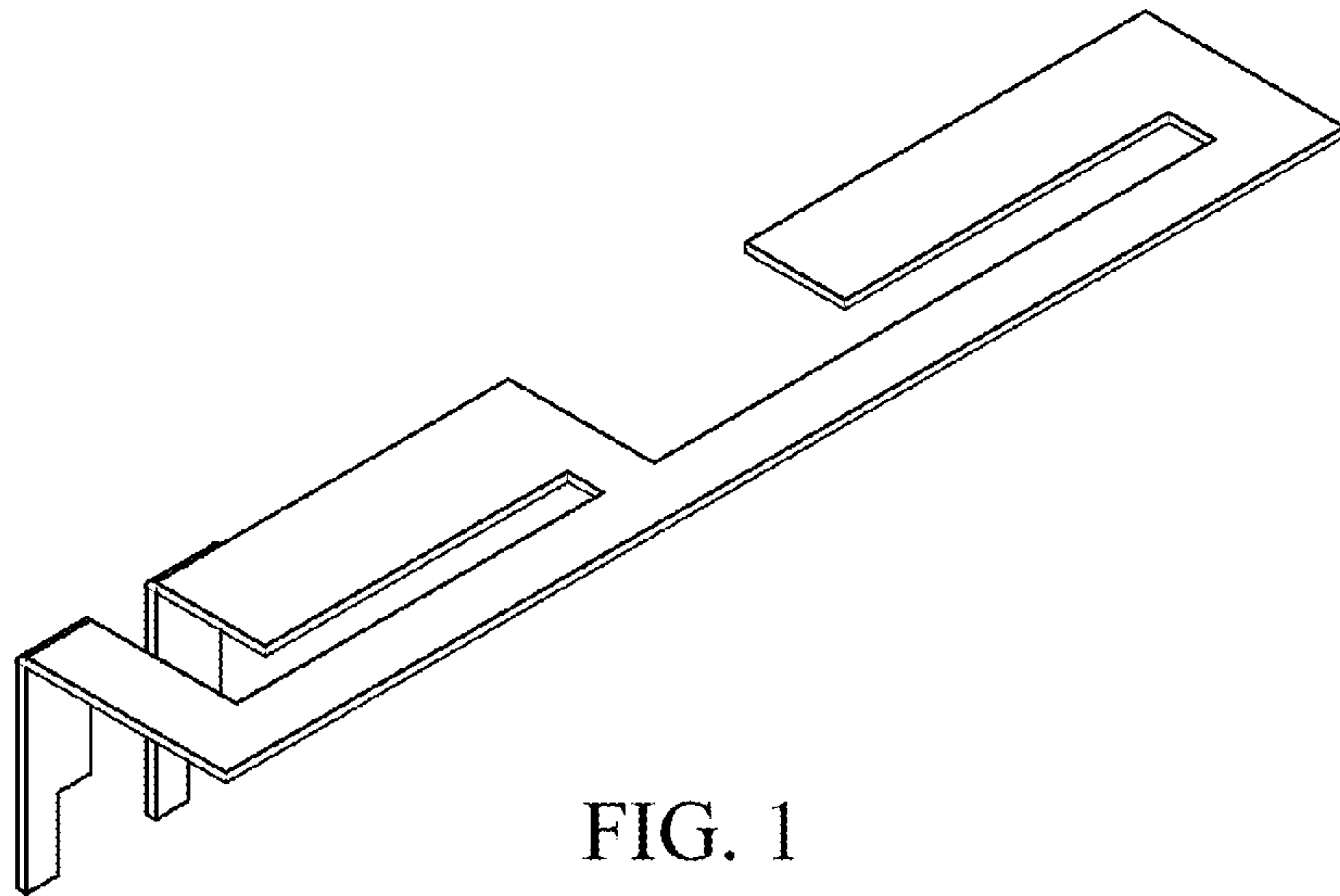


FIG. 1

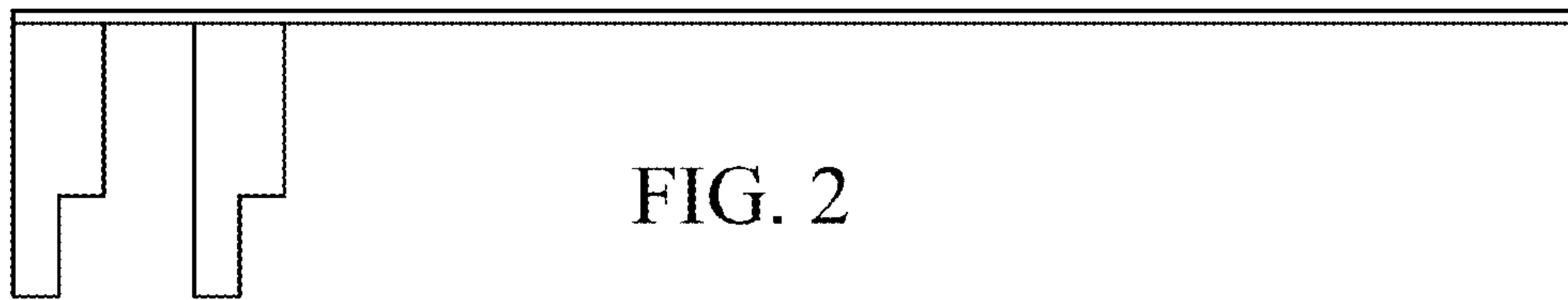


FIG. 2

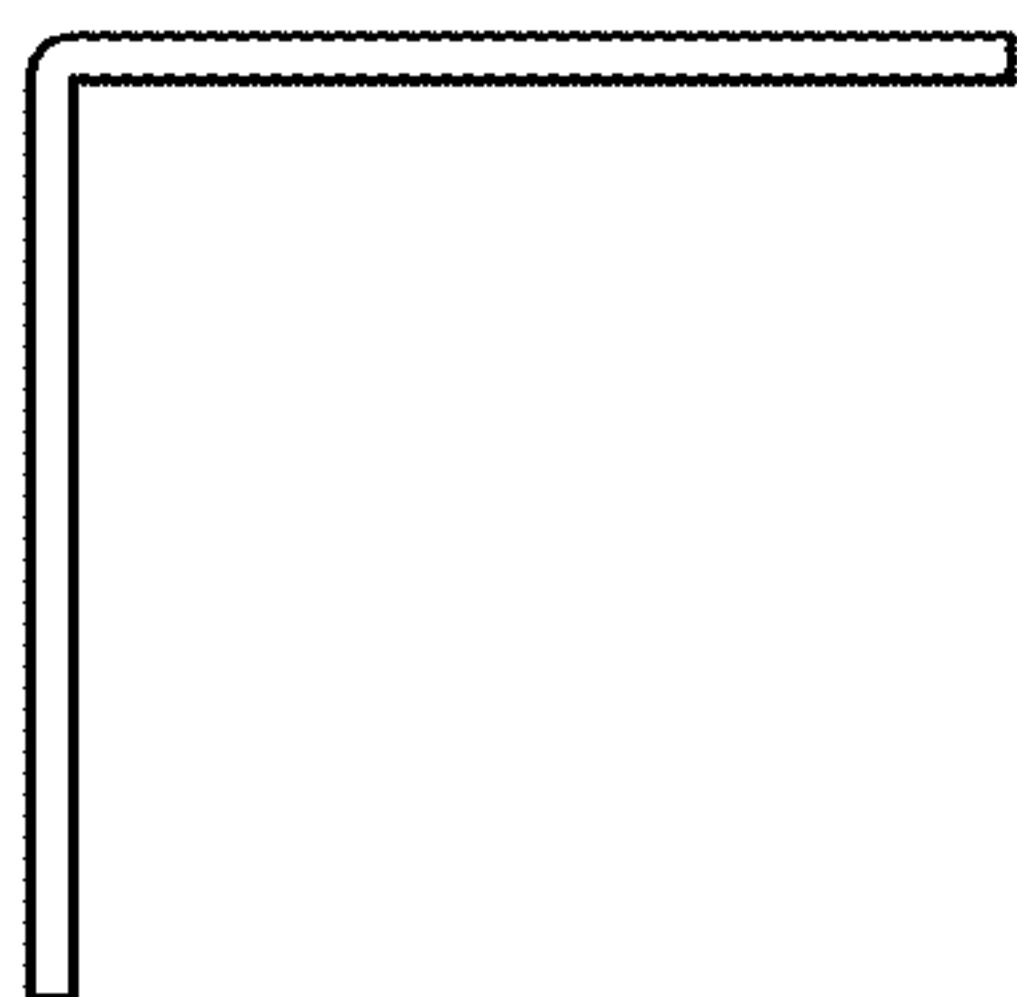


FIG. 3

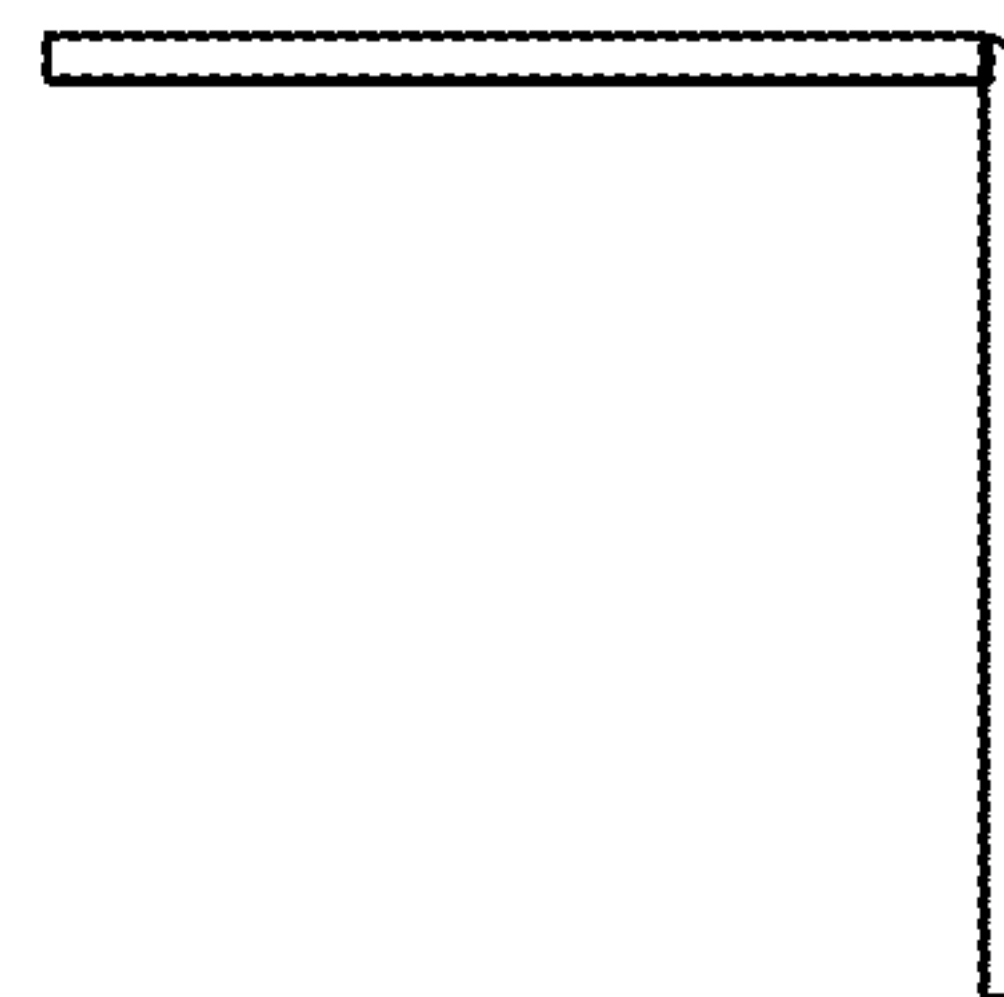


FIG. 4

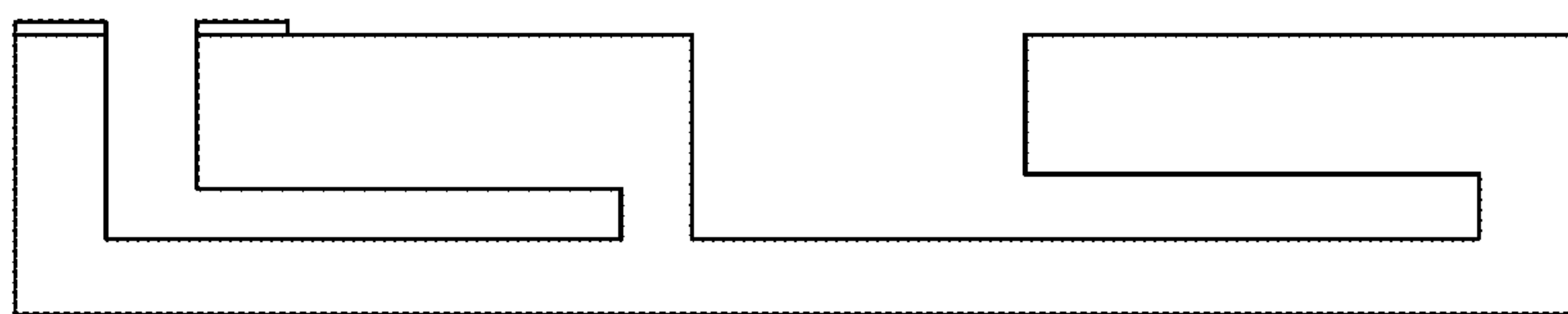


FIG. 5

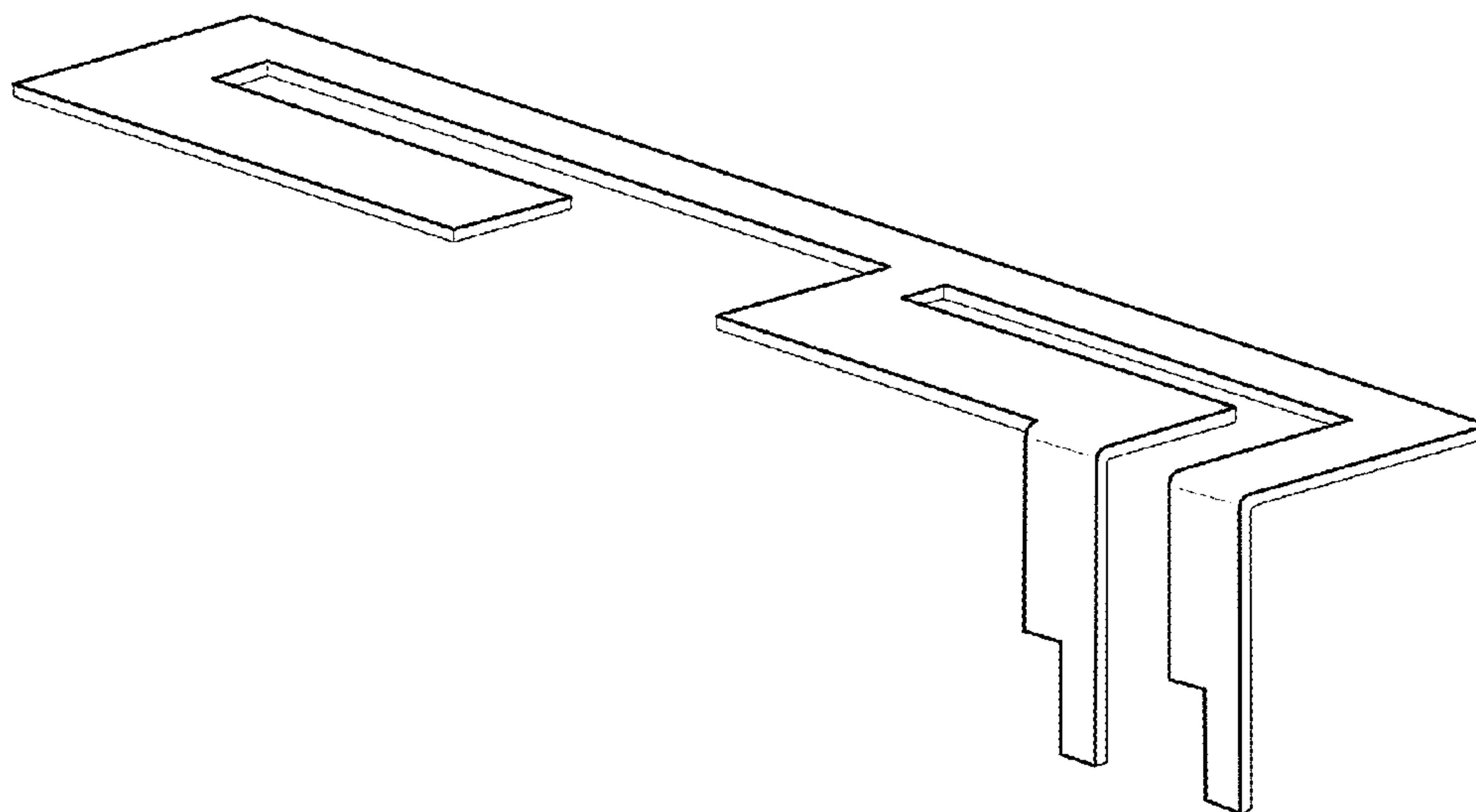


FIG. 6