



US00D694736S

(12) **United States Design Patent**
Cheng

(10) **Patent No.:** **US D694,736 S**

(45) **Date of Patent:** **** Dec. 3, 2013**

(54) **SOUND SYSTEM**

(75) Inventor: **Lo Lam Laconia Cheng**, Guangdong (CN)

(73) Assignee: **Dexin Ming Electronics (Shenzhen) Co. Ltd.**, Shenzhen (CN)

(**) Term: **14 Years**

(21) Appl. No.: **29/429,553**

(22) Filed: **Aug. 13, 2012**

(30) **Foreign Application Priority Data**

Jun. 20, 2012 (CN) 2012 3 0264959

(51) **LOC (9) Cl.** **14-01**

(52) **U.S. Cl.**
USPC **D14/209.1**

(58) **Field of Classification Search**
USPC D14/204, 204.1, 210–216, 172;
181/143, 144, 147, 148, 150–153, 157,
181/198, 199; 381/300–306, 332, 333, 336,
381/345, 361–364
See application file for complete search history.

(56) **References Cited**

U.S. PATENT DOCUMENTS

7,689,197 B2 * 3/2010 Laude et al. 455/344
D625,289 S * 10/2010 Hao et al. D14/209.1

D627,760 S * 11/2010 Garrett D14/209.1
D642,156 S * 7/2011 Joseph D14/209.1
8,063,292 B2 * 11/2011 Lin 84/386
8,180,095 B2 * 5/2012 Zhang 381/387
D661,686 S * 6/2012 Bolton D14/209.1
D674,774 S * 1/2013 Bolton D14/209.1
D674,775 S * 1/2013 Bolton D14/209.1
D681,005 S * 4/2013 Bolton D14/209.1
D681,604 S * 5/2013 Funayama D14/209.1

* cited by examiner

Primary Examiner — Prabhakar Deshmukh

(74) *Attorney, Agent, or Firm* — Jackson IPG PLLC

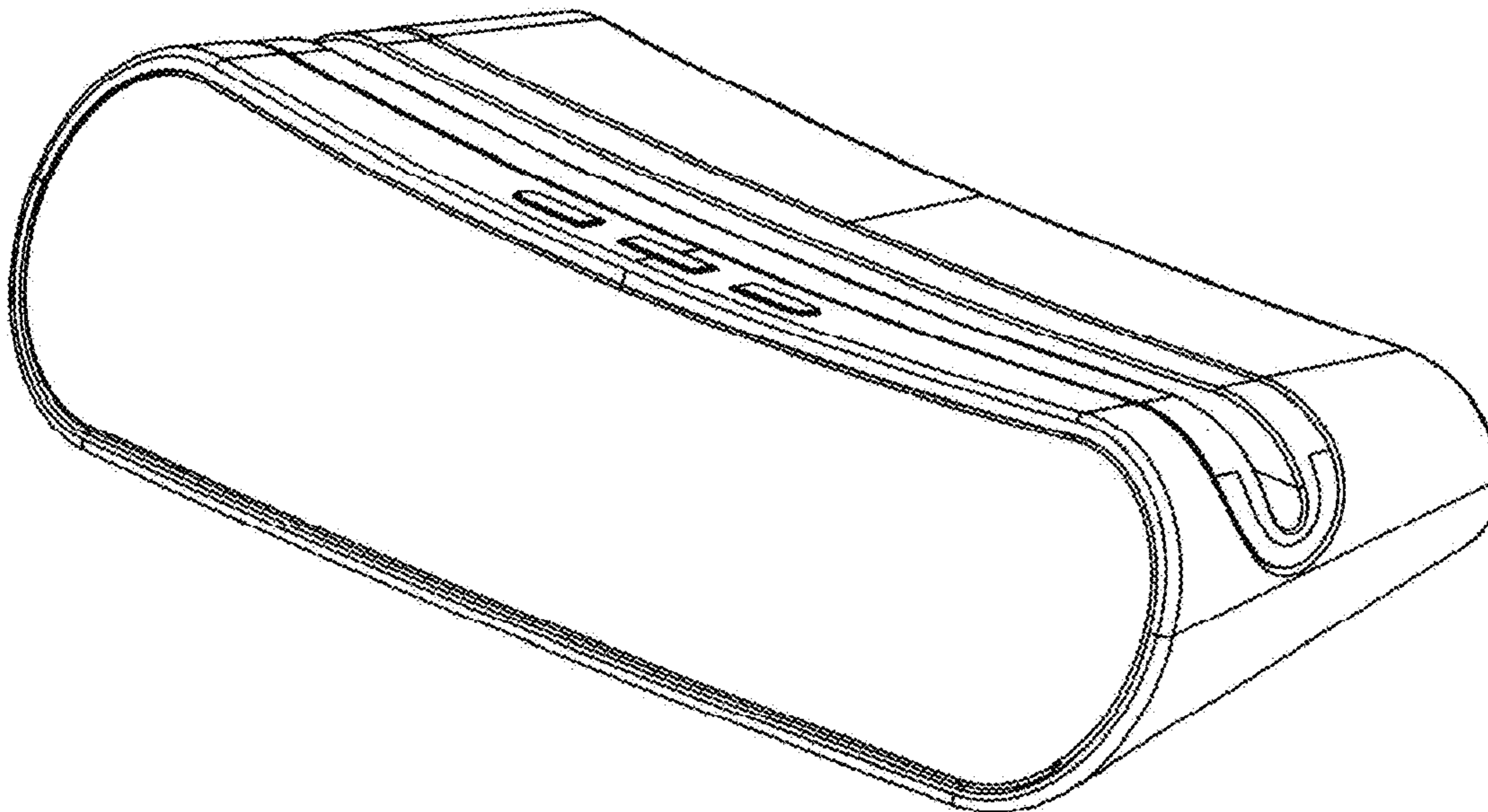
(57) **CLAIM**

The ornamental design for a sound system, as shown and described.

DESCRIPTION

FIG. 1 is a front perspective view of a sound system showing my new design;
FIG. 2 is a rear perspective view thereof;
FIG. 3 is a front elevational view thereof;
FIG. 4 is a rear elevational view thereof;
FIG. 5 is a left side elevational view thereof;
FIG. 6 is a right side elevational view thereof;
FIG. 7 is a top plan view thereof; and,
FIG. 8 is a bottom plan view thereof.

1 Claim, 4 Drawing Sheets



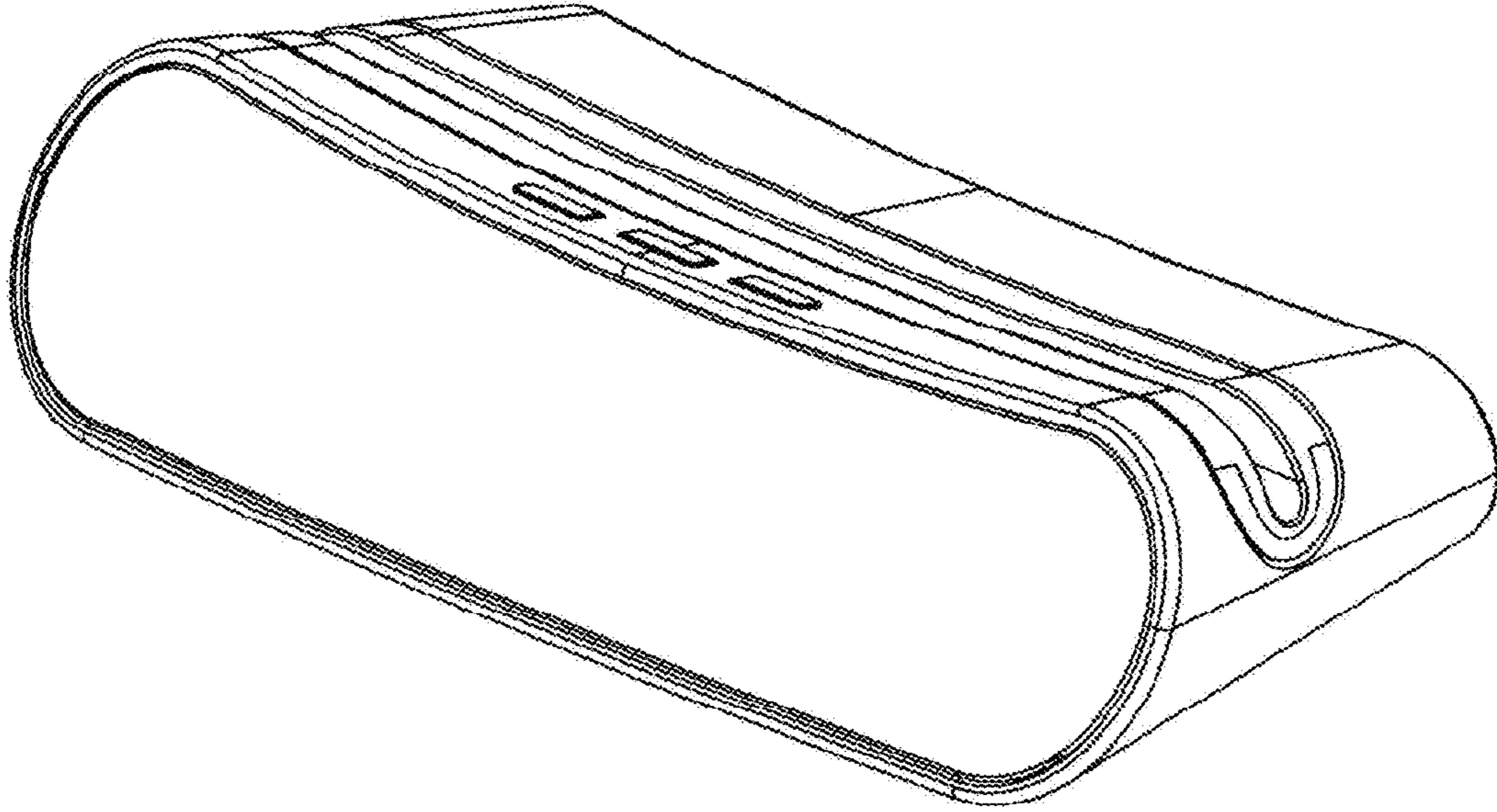


FIG. 1

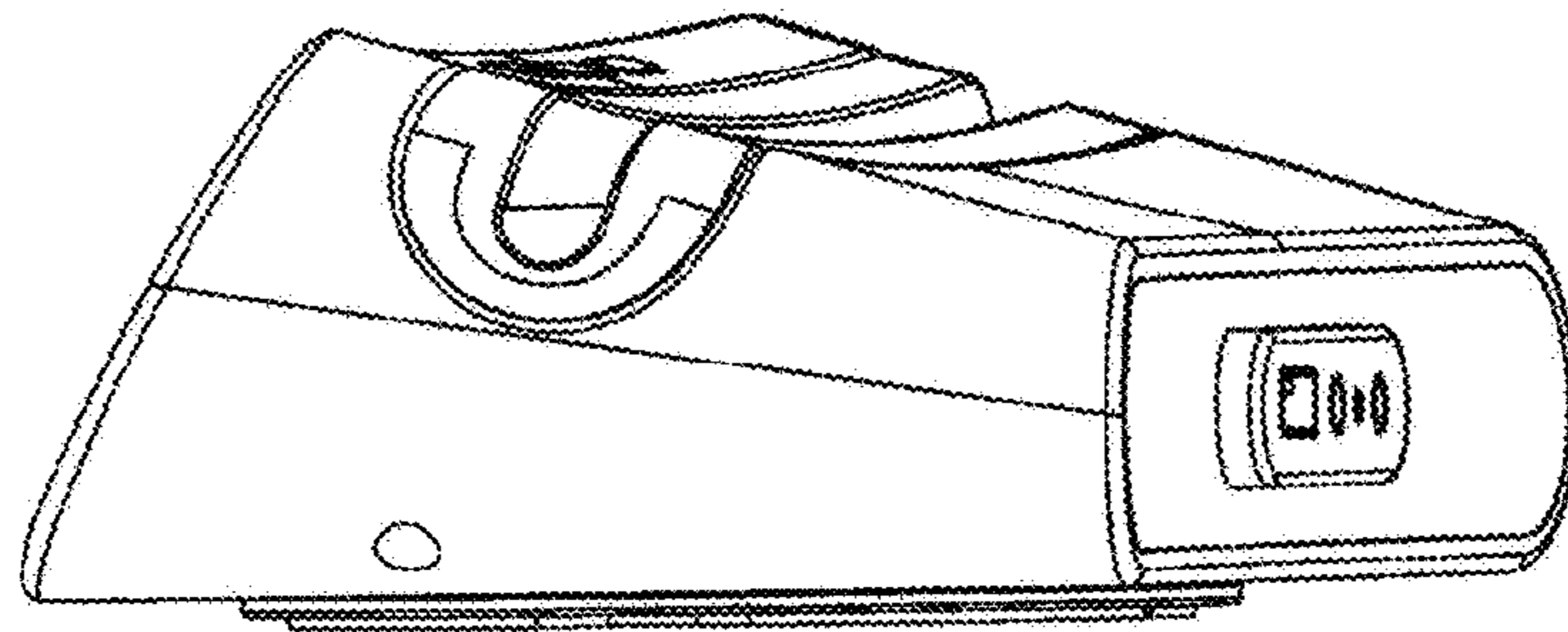


FIG. 2

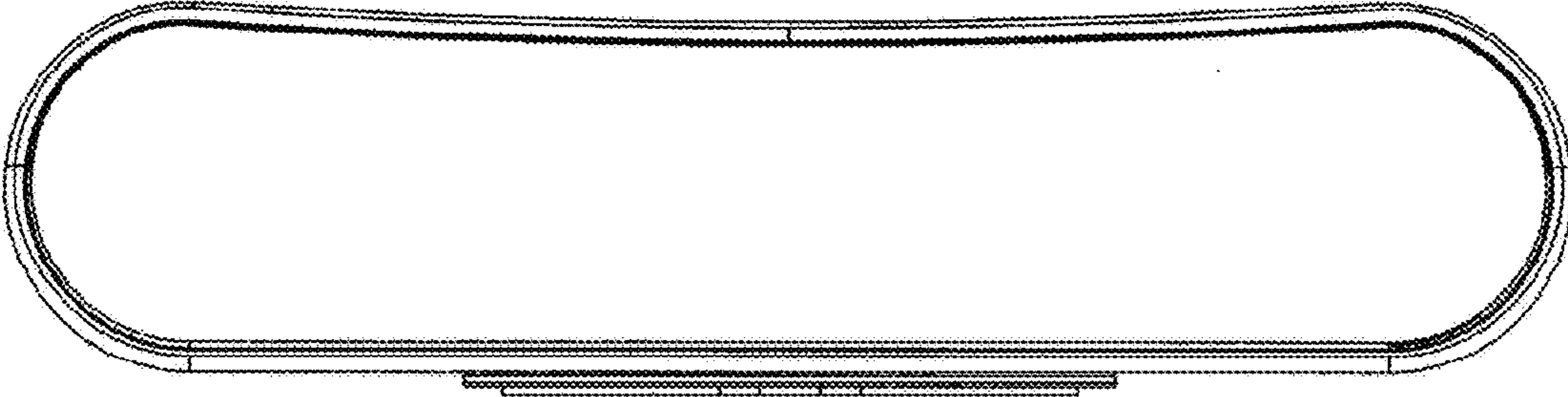


FIG. 3

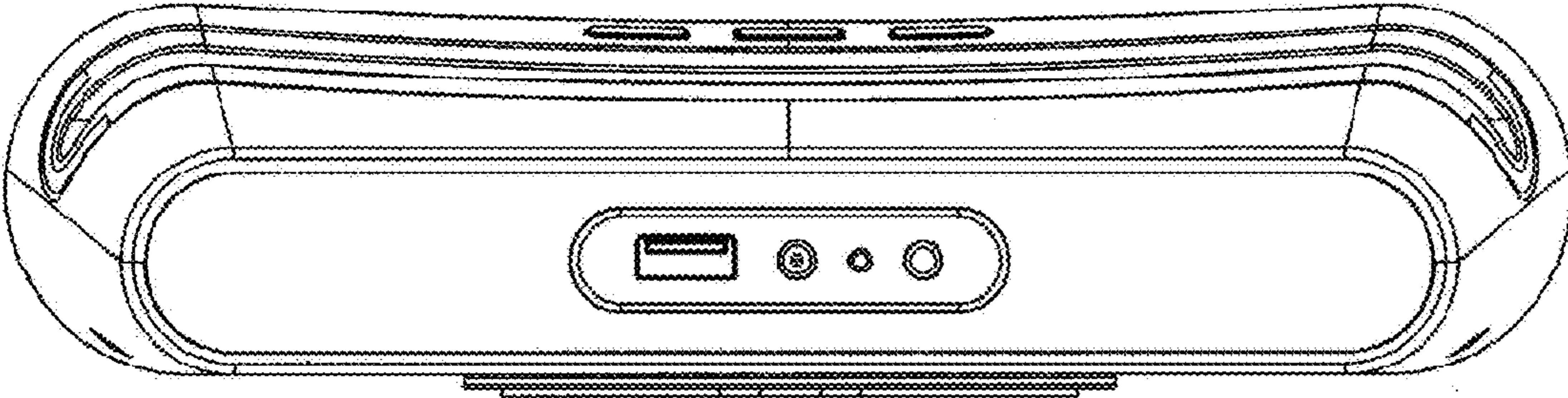


FIG. 4

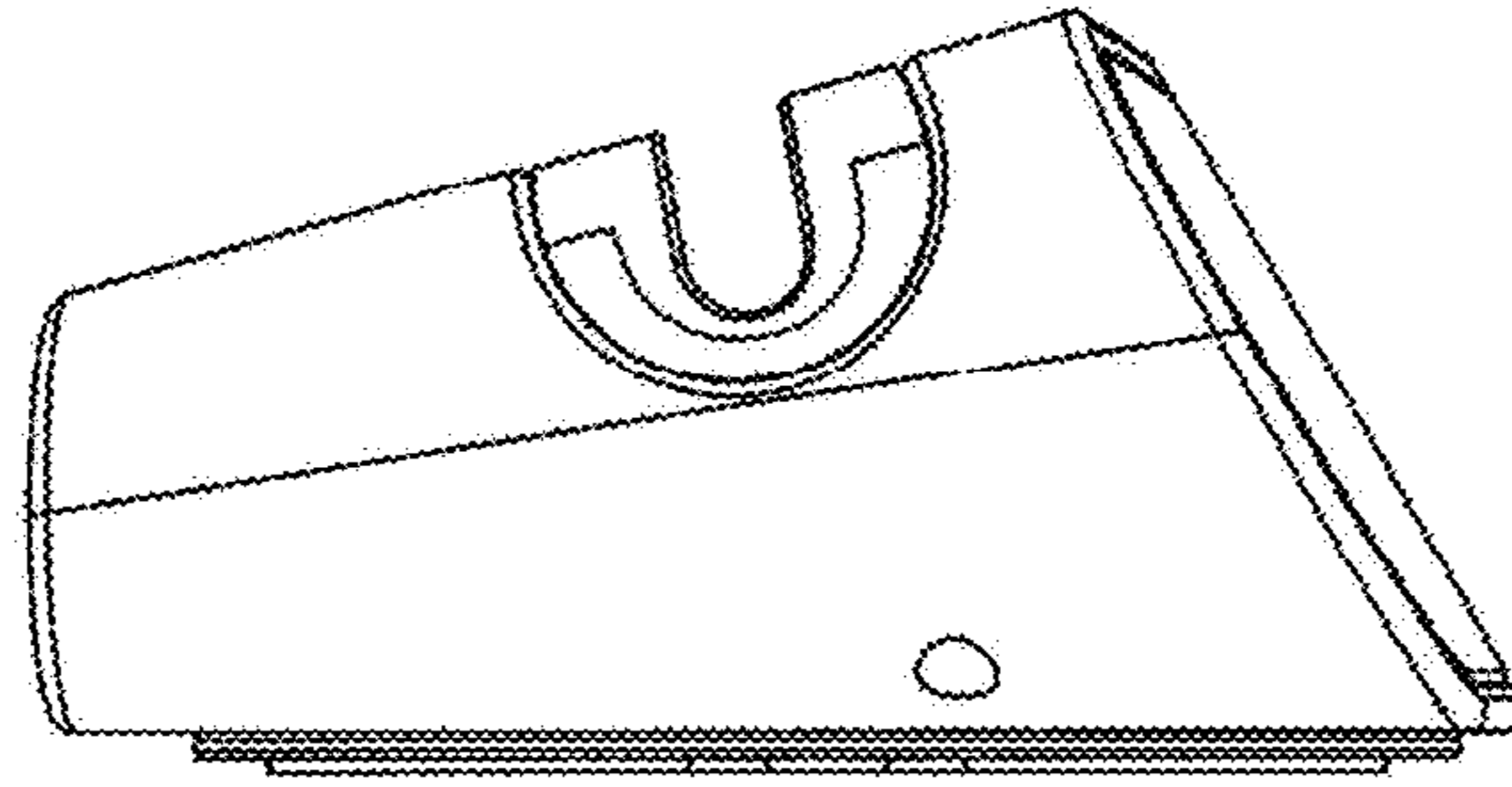


FIG. 5

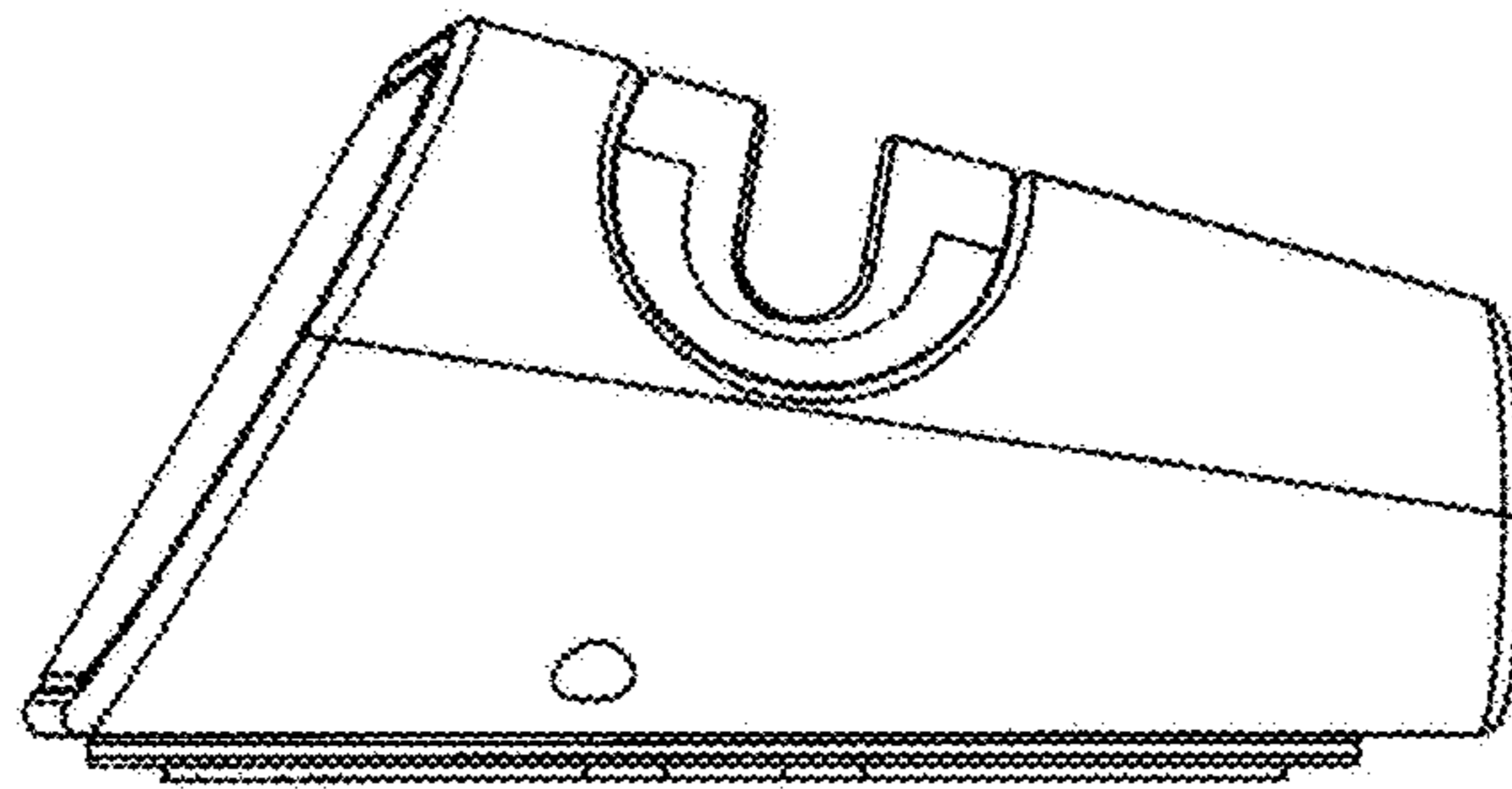


FIG. 6

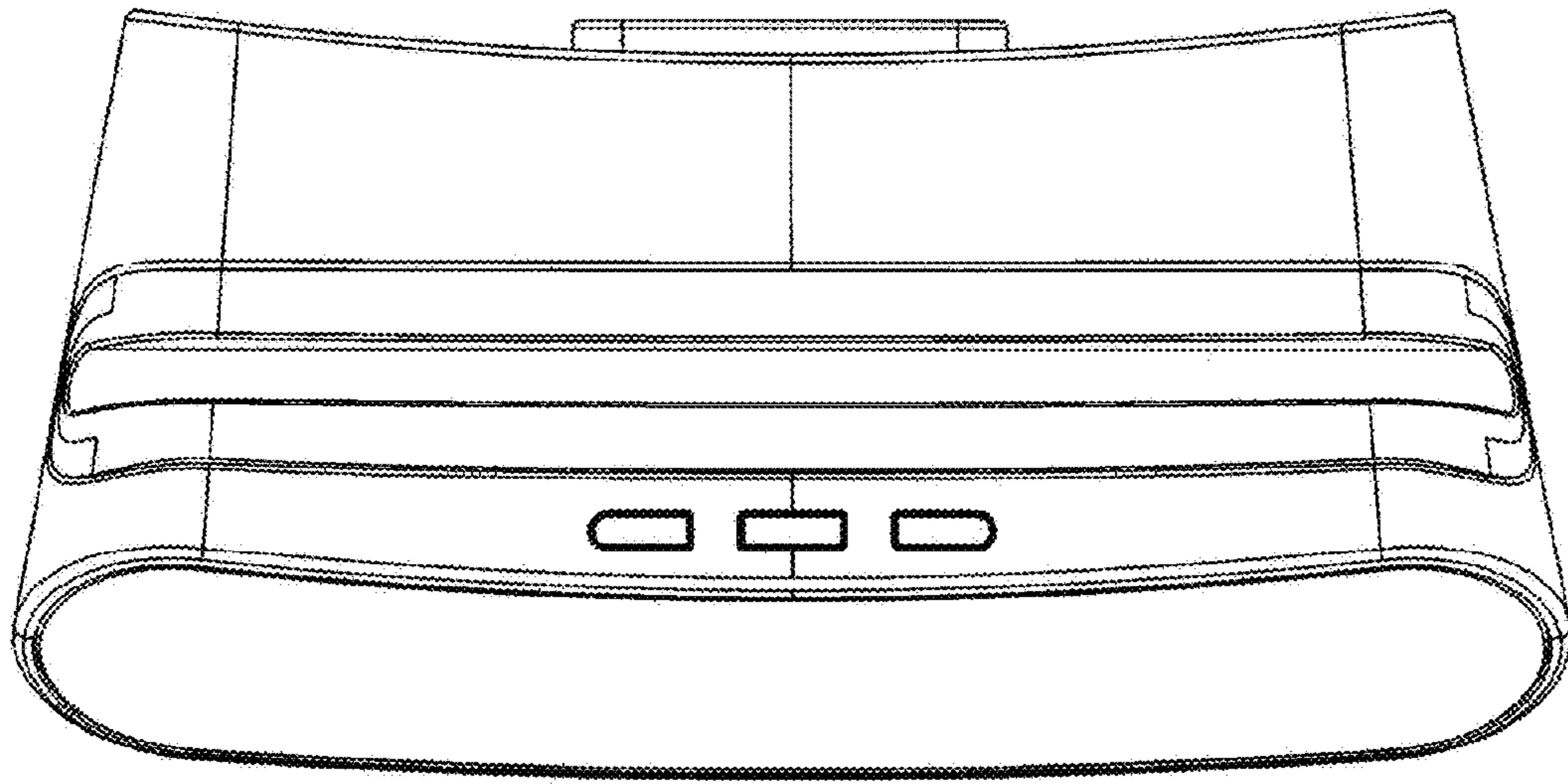


FIG. 7

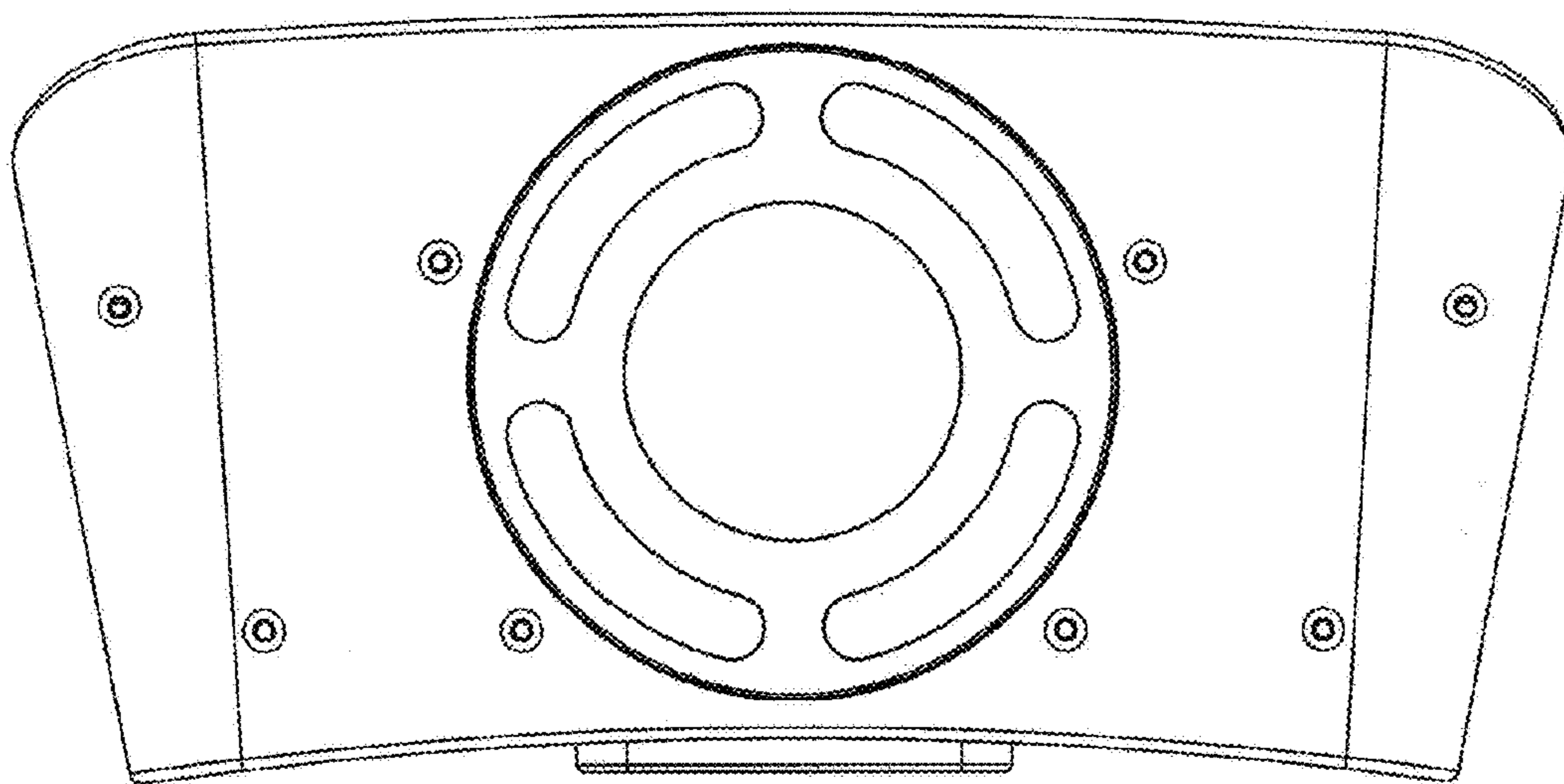


FIG. 8