

US00D694734S

(12) **United States Design Patent**
Guo et al.

(10) **Patent No.:** **US D694,734 S**
(45) **Date of Patent:** **** Dec. 3, 2013**

(54) **TELEPHONE**

(75) Inventors: **Honghui Guo**, Zhuhai (CN); **Zhiyong Zou**, Zhuhai (CN)

(73) Assignee: **Zhuhai Huawang Communication Equipment Co., Ltd**, Xiangzhou District, Zhuhai (CN)

(**) Term: **14 Years**

(21) Appl. No.: **29/383,843**

(22) Filed: **Jan. 23, 2011**

(30) **Foreign Application Priority Data**

Aug. 27, 2010 (CN) 2010 3 0292293

(51) **LOC (9) Cl.** **14-03**

(52) **U.S. Cl.**
USPC **D14/148**

(58) **Field of Classification Search**
USPC D14/147, 148, 149, 138 R, 138 AA, D14/138 AD, 138 G, 191, 203.1–203.8, 496, D14/137, 218, 341–347, 247–248, 144, D14/150–151, 240, 243, 140–142; 455/566, 455/575.1, 575.3, 575.4; 345/168, 169, 167
See application file for complete search history.

(56) **References Cited**

U.S. PATENT DOCUMENTS

D348,062 S * 6/1994 Iseli et al. D14/149
D352,282 S * 11/1994 Toh et al. D14/150
D359,491 S * 6/1995 Iseli D14/151
D369,163 S * 4/1996 Leung et al. D14/150

* cited by examiner

Primary Examiner — Sheryl Lane

(74) *Attorney, Agent, or Firm* — Molins & Co. Pty. Ltd.

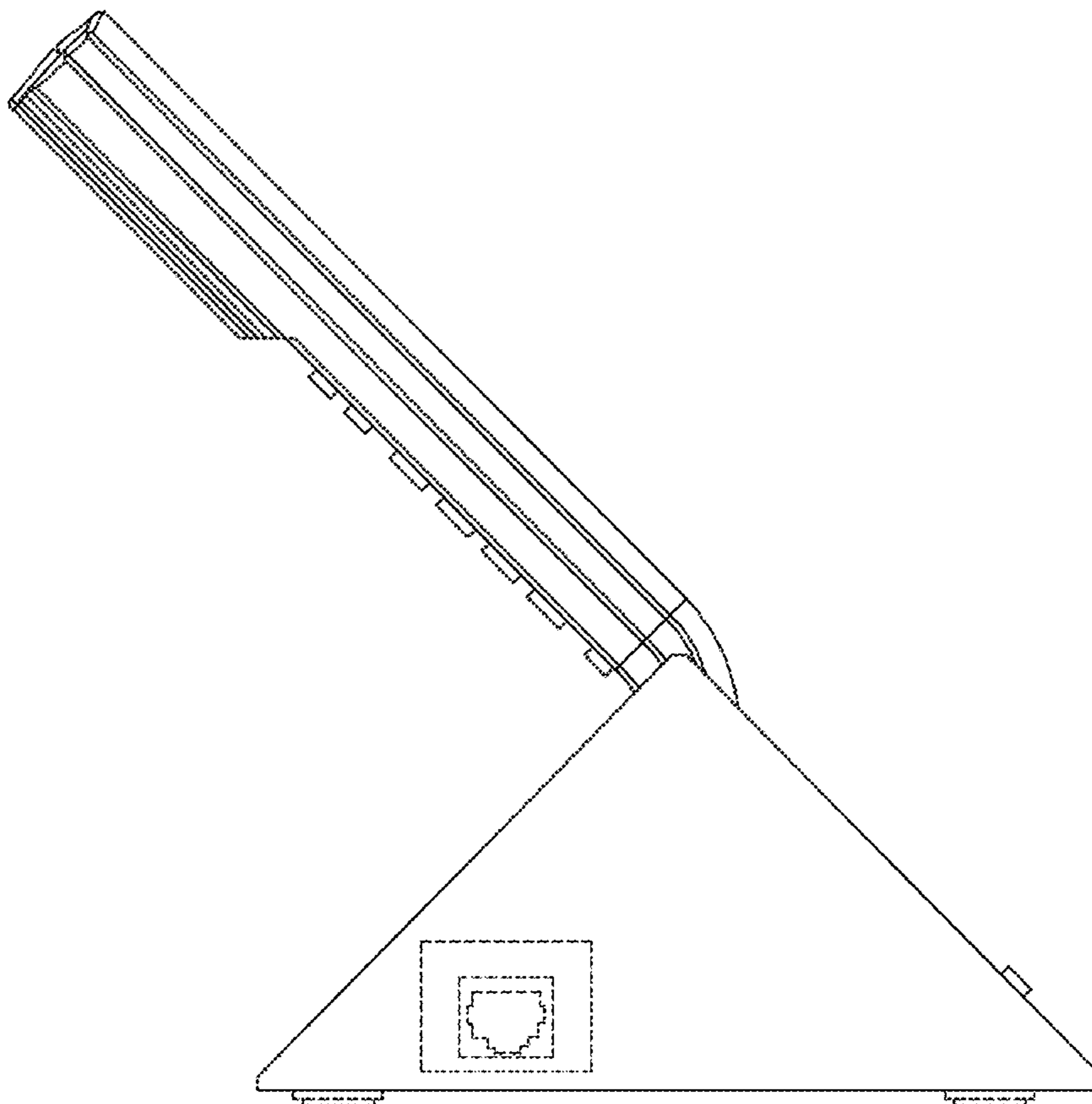
(57) **CLAIM**

The ornamental design for a telephone, as shown and described.

DESCRIPTION

FIG. 1 is a front view of the telephone;
FIG. 2 is a rear view of the telephone;
FIG. 3 is a right view of the telephone;
FIG. 4 is a left view of the telephone;
FIG. 5 is a bottom view of the telephone; and,
FIG. 6 is a top view of the telephone.
It is noted that portions of the article shown in broken lines form no part of the claimed design.

1 Claim, 3 Drawing Sheets



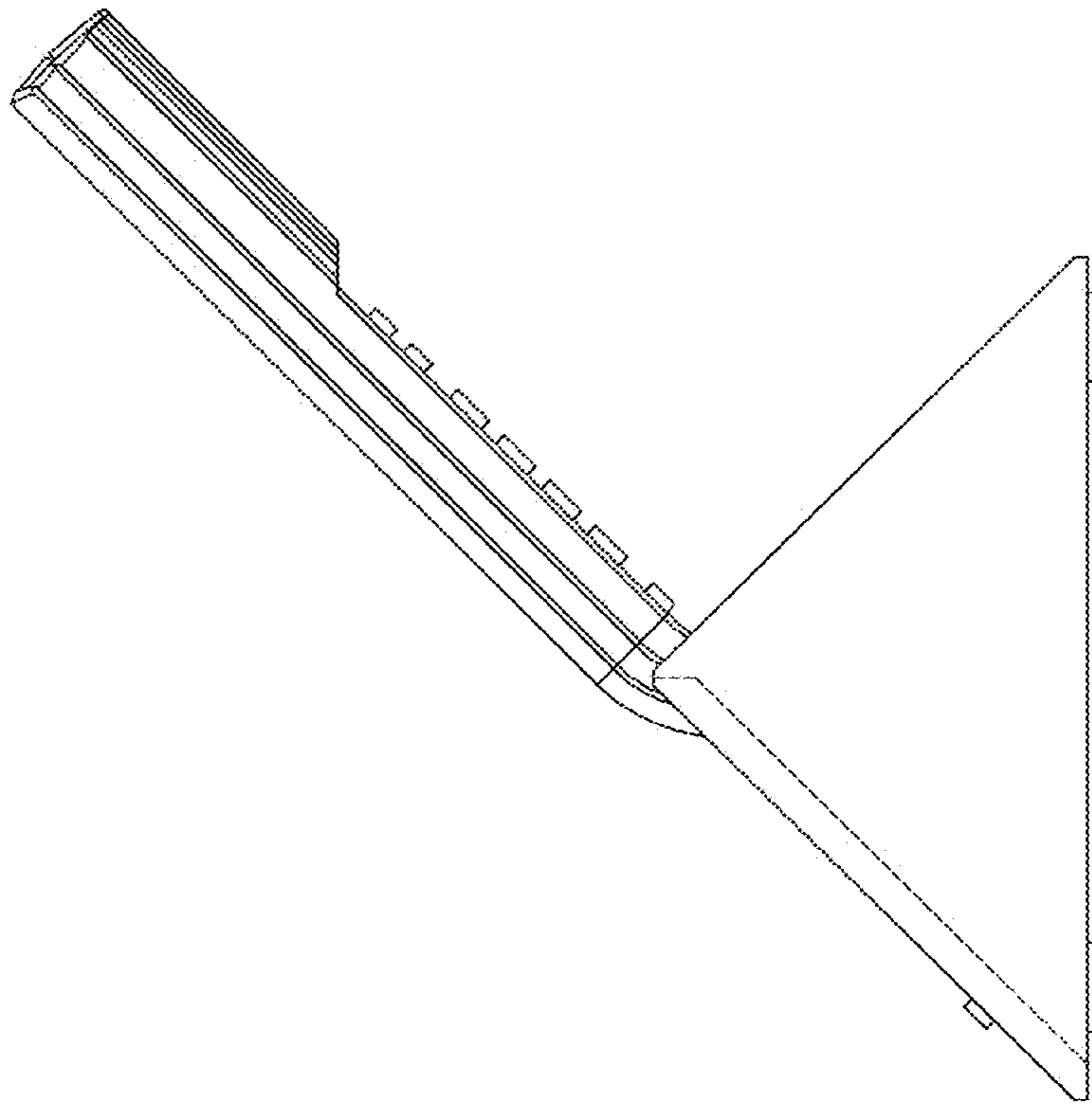


Fig. 2

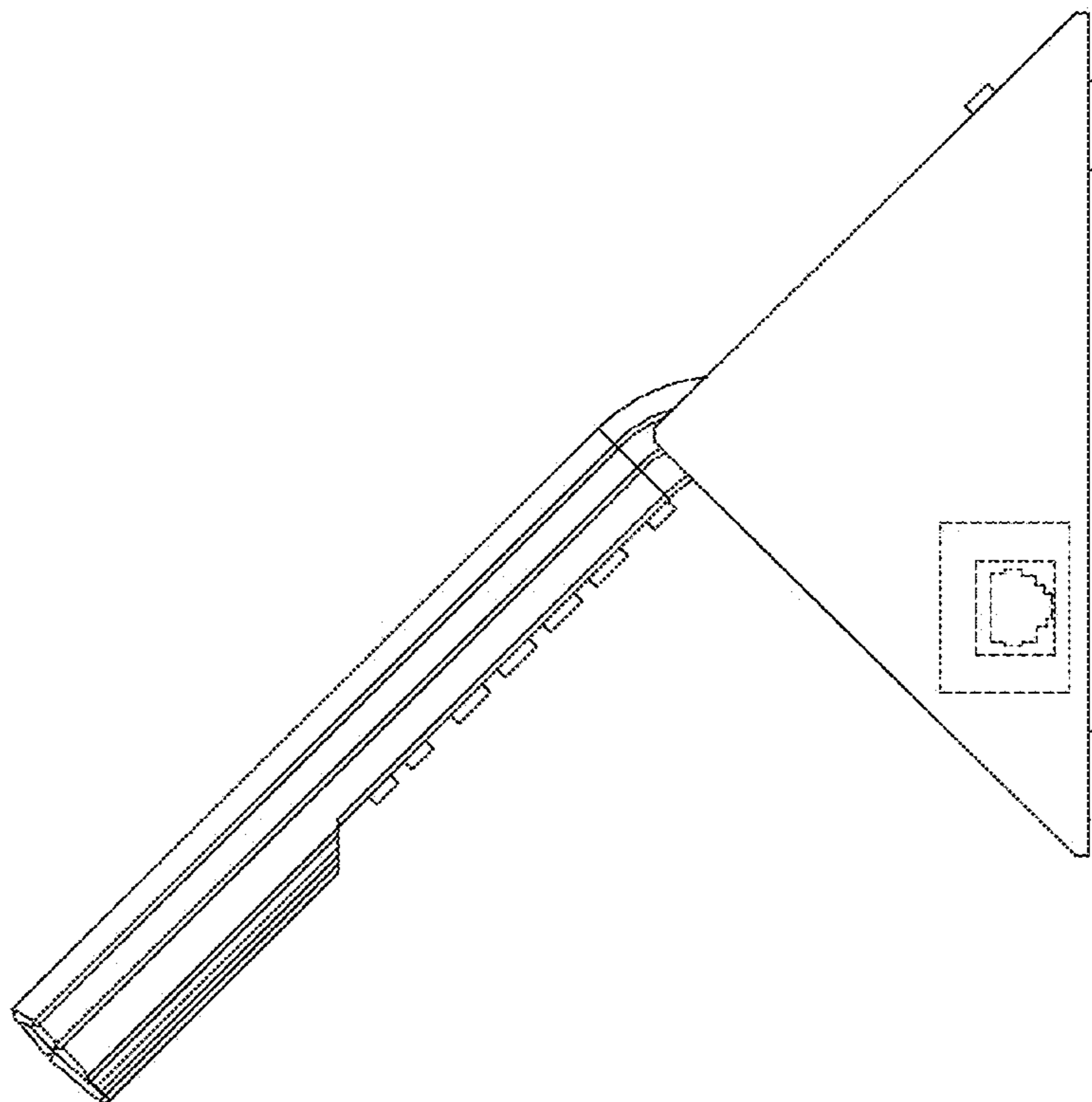


Fig. 1

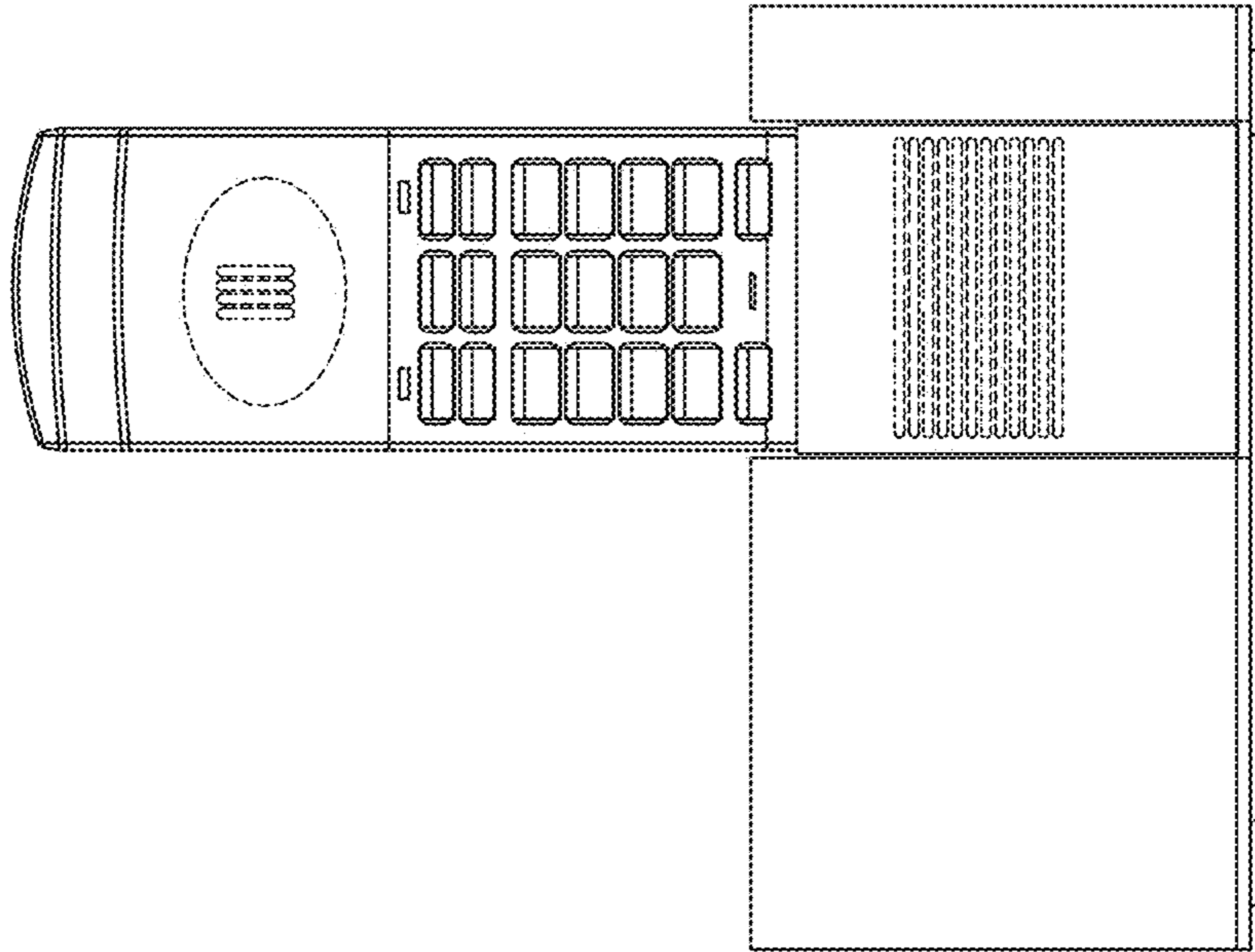


Fig. 4

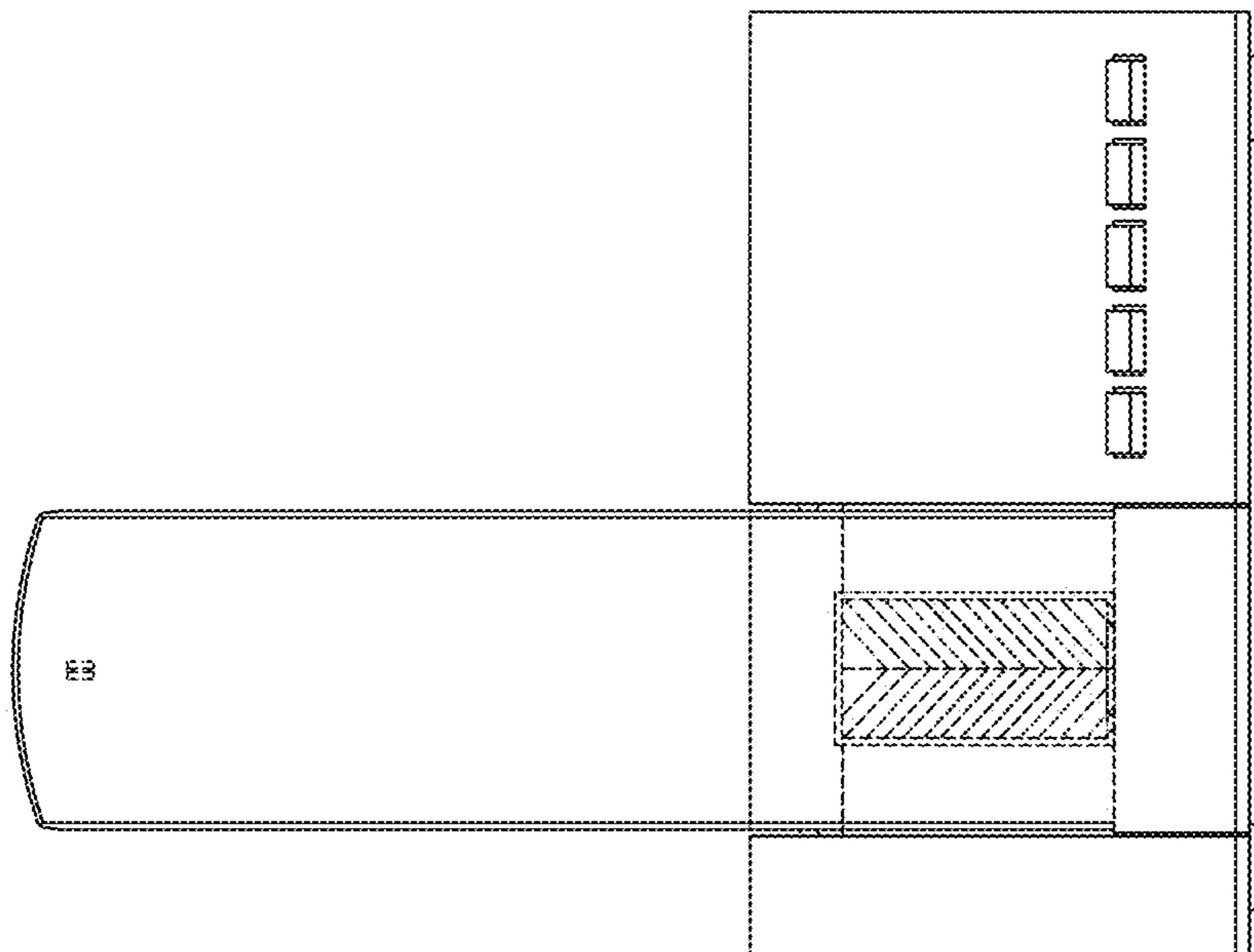


Fig. 3

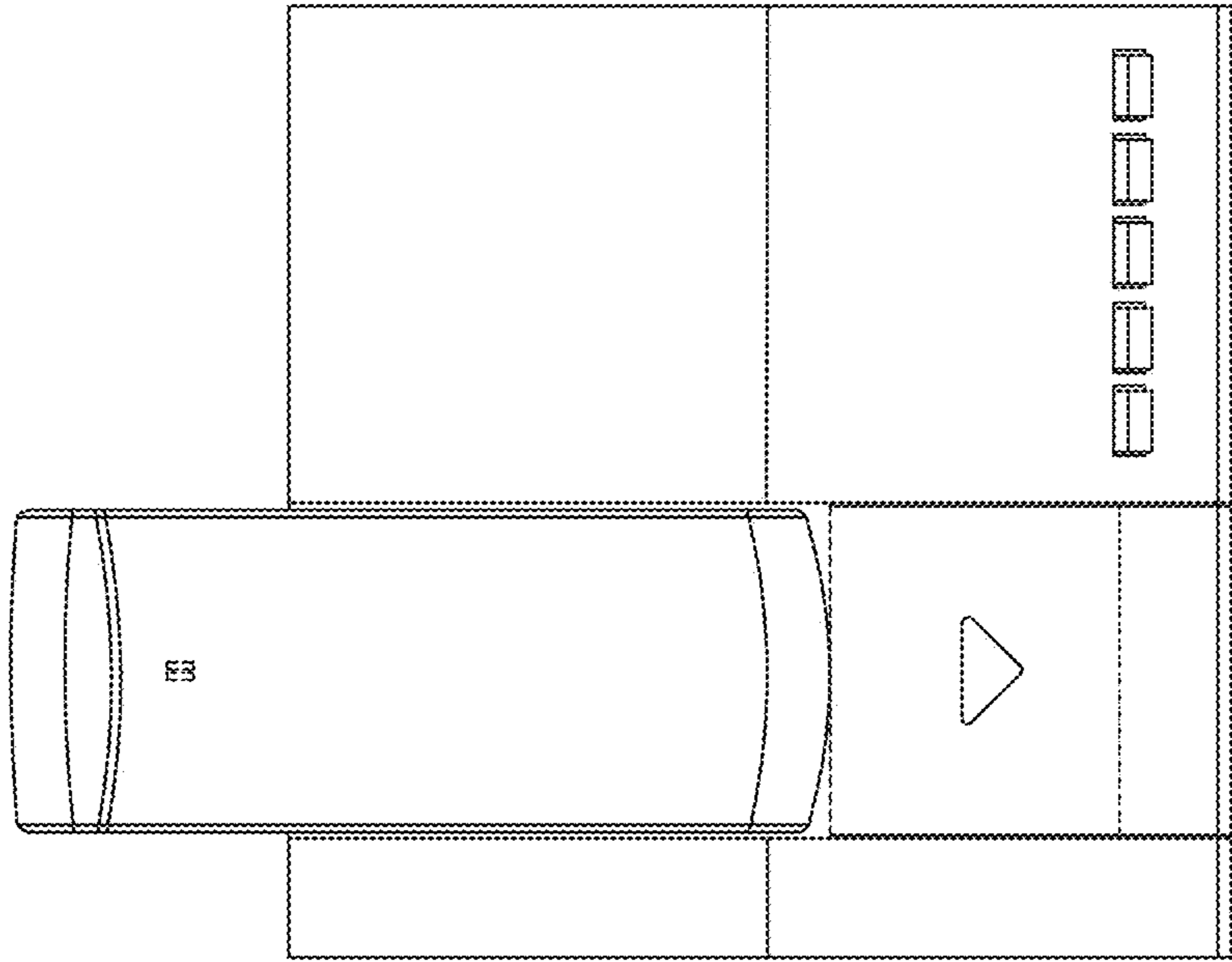


Fig. 6

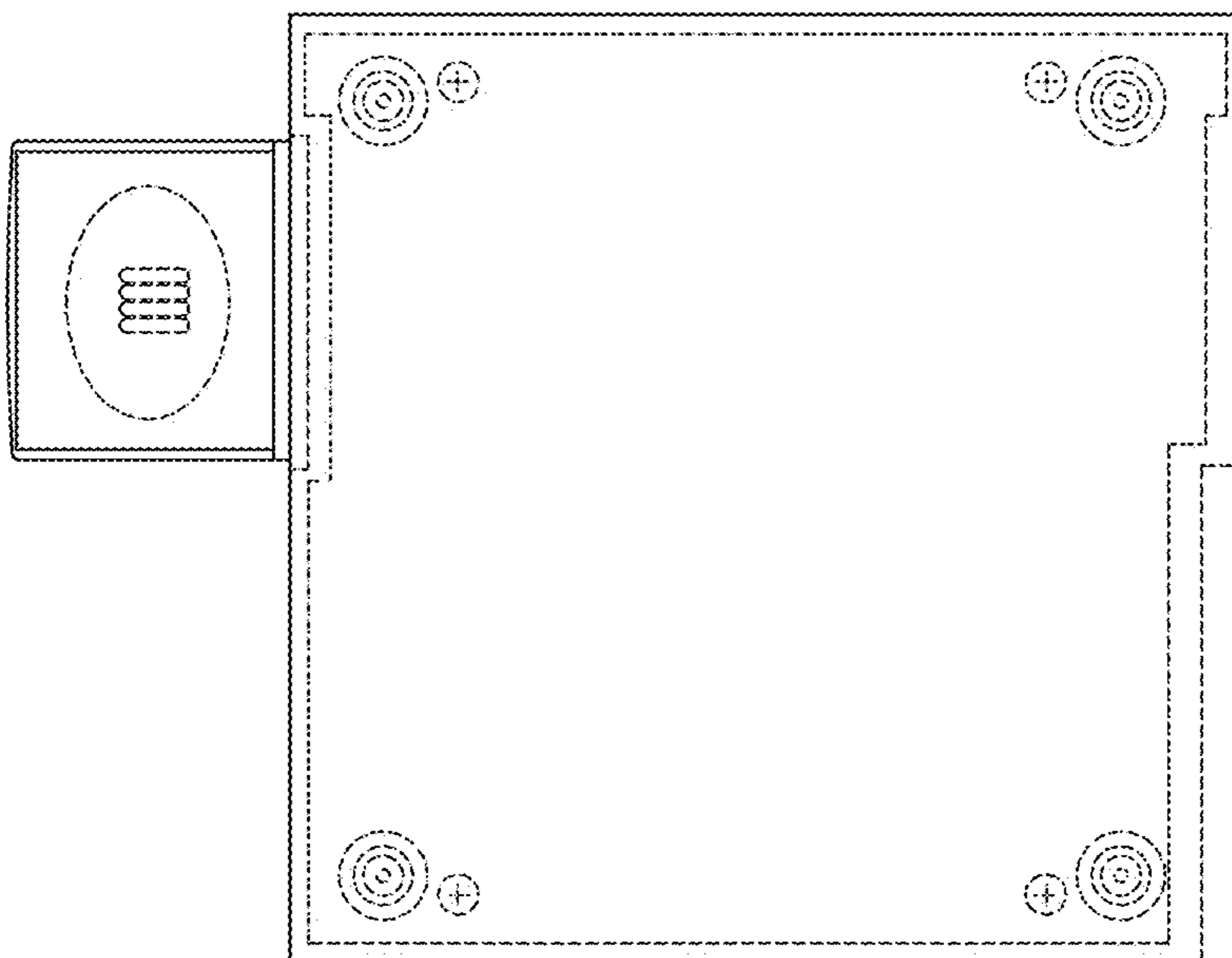


Fig. 5