

US00D694728S

(12) **United States Design Patent**
Chang

(10) **Patent No.:** **US D694,728 S**

(45) **Date of Patent:** **** Dec. 3, 2013**

(54) **LIQUID-CRYSTAL DISPLAY TELEVISION**

(56)

References Cited

(75) Inventor: **Yu-Cheng Chang**, New Taipei (TW)

U.S. PATENT DOCUMENTS

(73) Assignee: **Top Victory Invesments Ltd.**, Harbour (HK)

D567,201 S *	4/2008	Profit	D14/126
D571,323 S *	6/2008	Profit	D14/126
D585,856 S *	2/2009	Fujimoto	D14/126
D612,821 S *	3/2010	Takami	D14/126
D642,551 S *	8/2011	Chong et al.	D14/126
D643,004 S *	8/2011	Honda et al.	D14/126
D645,430 S *	9/2011	Shih	D14/126
D657,327 S *	4/2012	Iida et al.	D14/126

(**) Term: **14 Years**

* cited by examiner

(21) Appl. No.: **29/400,246**

(22) Filed: **Aug. 25, 2011**

Primary Examiner — Raphael Barkai

(51) **LOC (9) Cl.** **14-03**

(74) *Attorney, Agent, or Firm* — Alan Kamrath; Kamrath IP Lawfirm, P.A.

(52) **U.S. Cl.**

USPC **D14/126**

(57) **CLAIM**

(58) **Field of Classification Search**

The ornamental design for liquid-crystal display television, as shown and described.

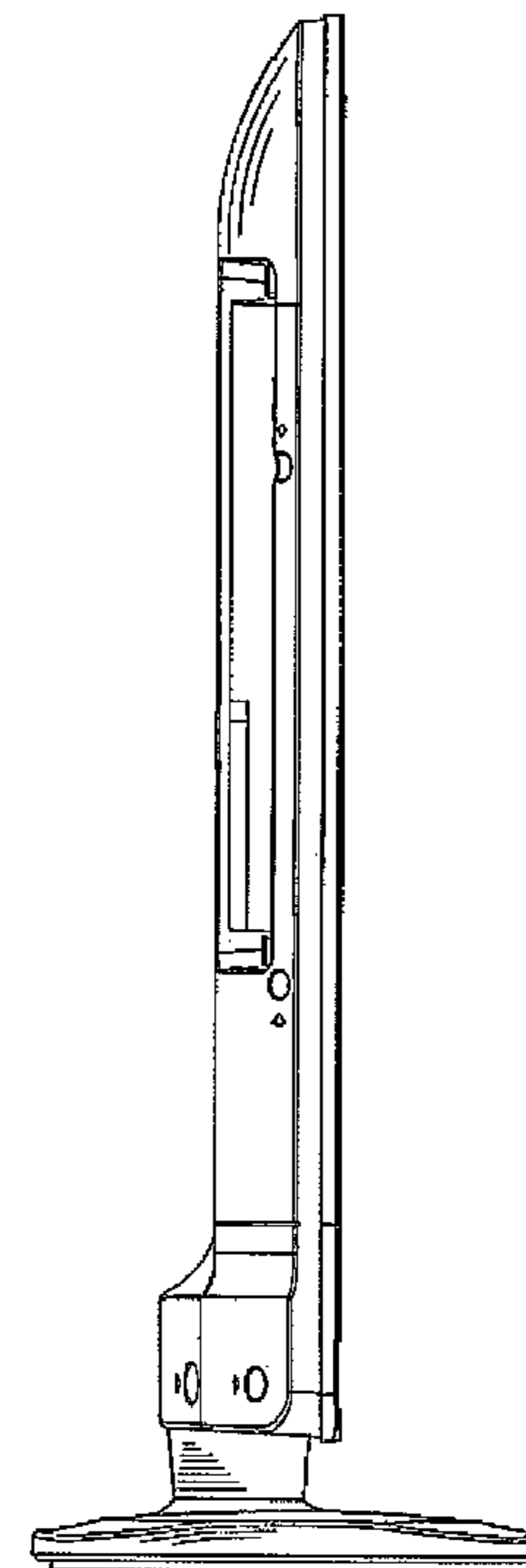
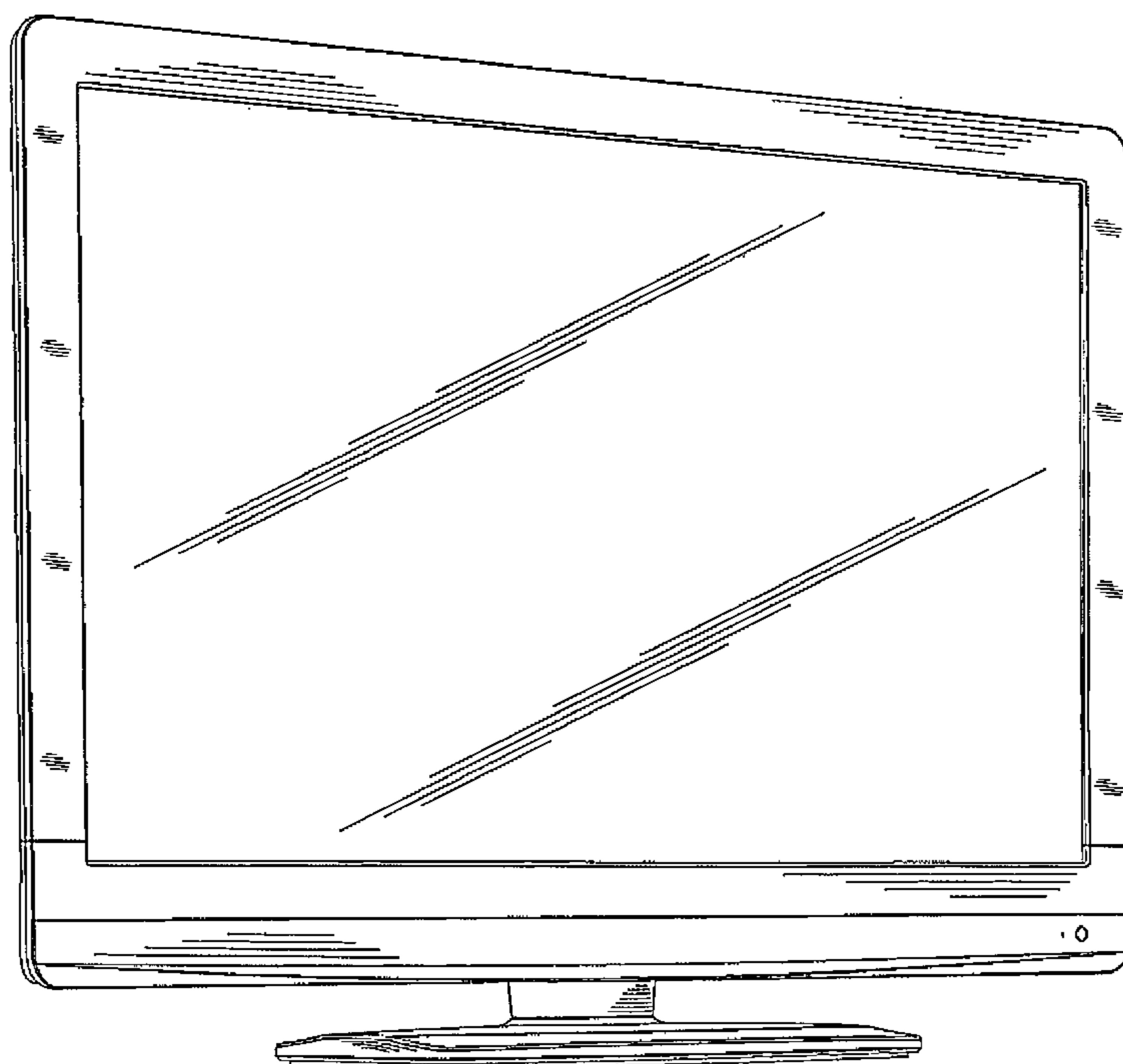
USPC D14/125–134, 239, 371, 136, 374–377,
D14/440, 450, 448, 336, 342, 159; 312/7.2;
348/836, 838, 180, 184, 325, 739;
341/12; 248/917–924, 465; 345/104,
345/133, 156, 168, 87, 173; 720/605, 669,
720/600, 655; 369/99, 197; D21/329, 515,
D21/577, 622, 333, 433, 448, 452, 450,
D21/331; D6/477, 479, 300–310;
273/148 B; 446/484, 175, 356; D10/15,
D10/26

DESCRIPTION

FIG. 1 is a perspective view of a liquid-crystal display television showing my new design;
FIG. 2 is a front side elevational view thereof;
FIG. 3 is a rear side elevational view thereof;
FIG. 4 is a left elevational view thereof;
FIG. 5 is a right elevational view thereof;
FIG. 6 is a top plan view thereof;
FIG. 7 is a bottom plan view thereof; and,
FIG. 8 is a rear perspective view thereof.

See application file for complete search history.

1 Claim, 8 Drawing Sheets



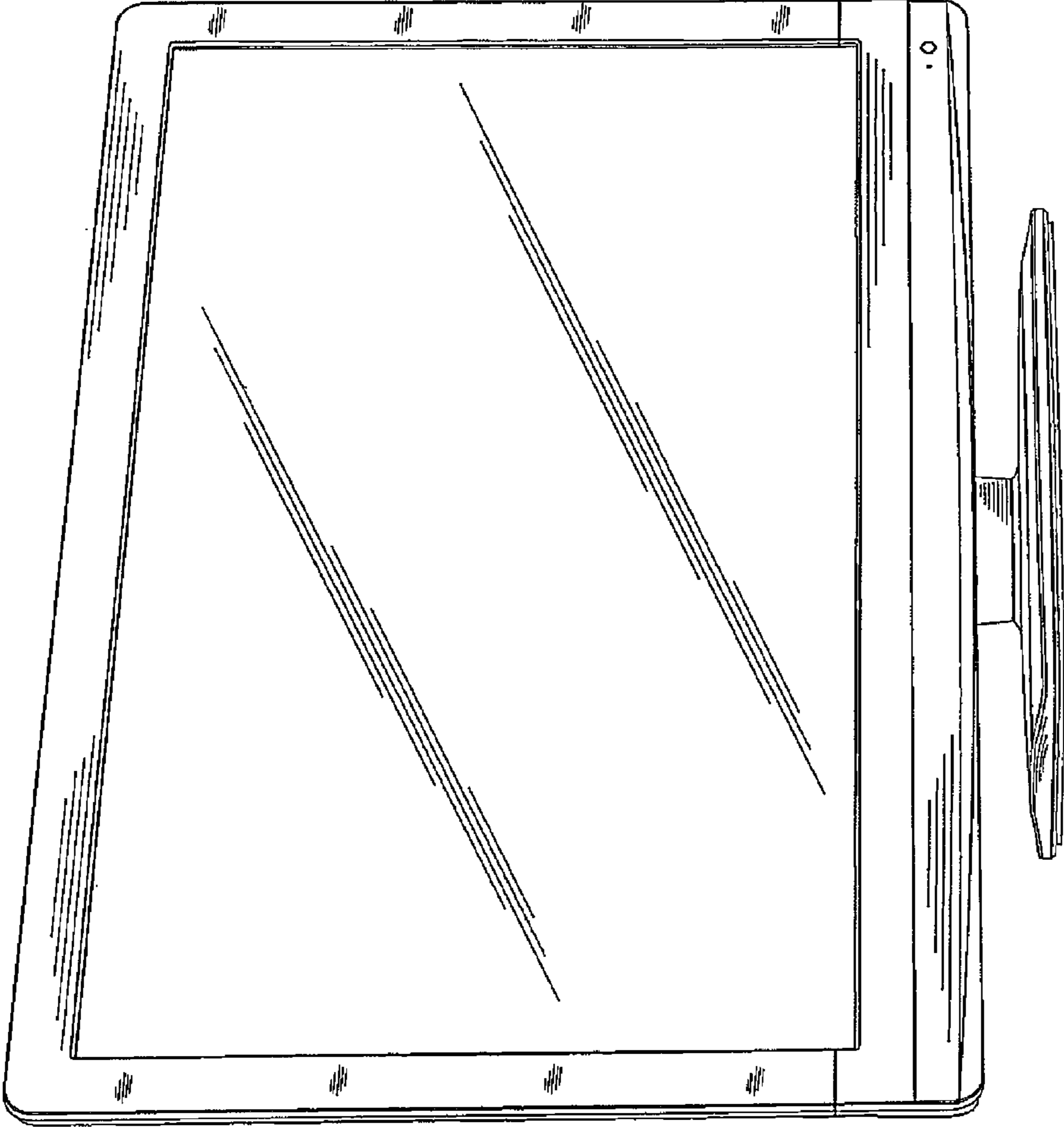


FIG. 1

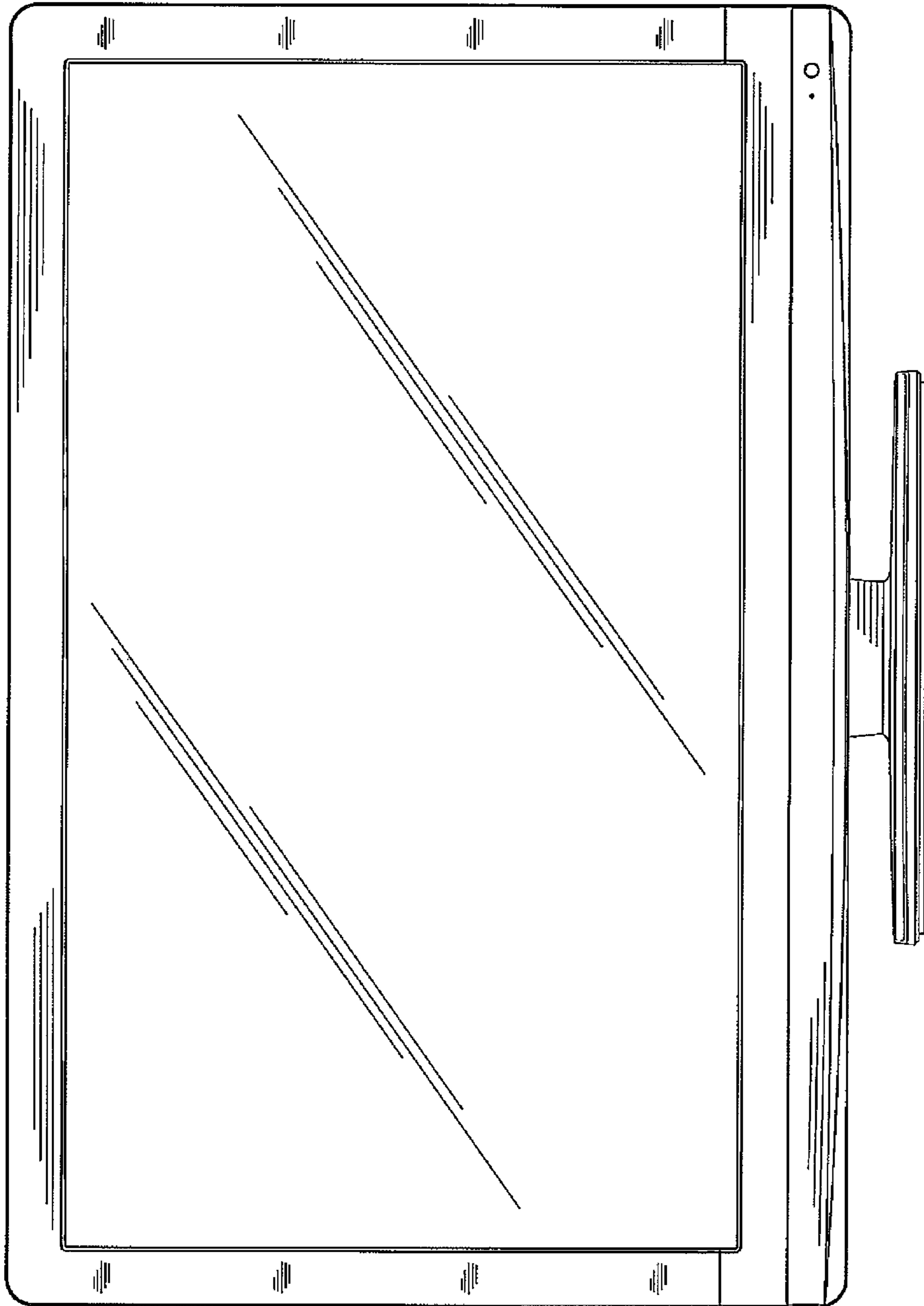


FIG. 2

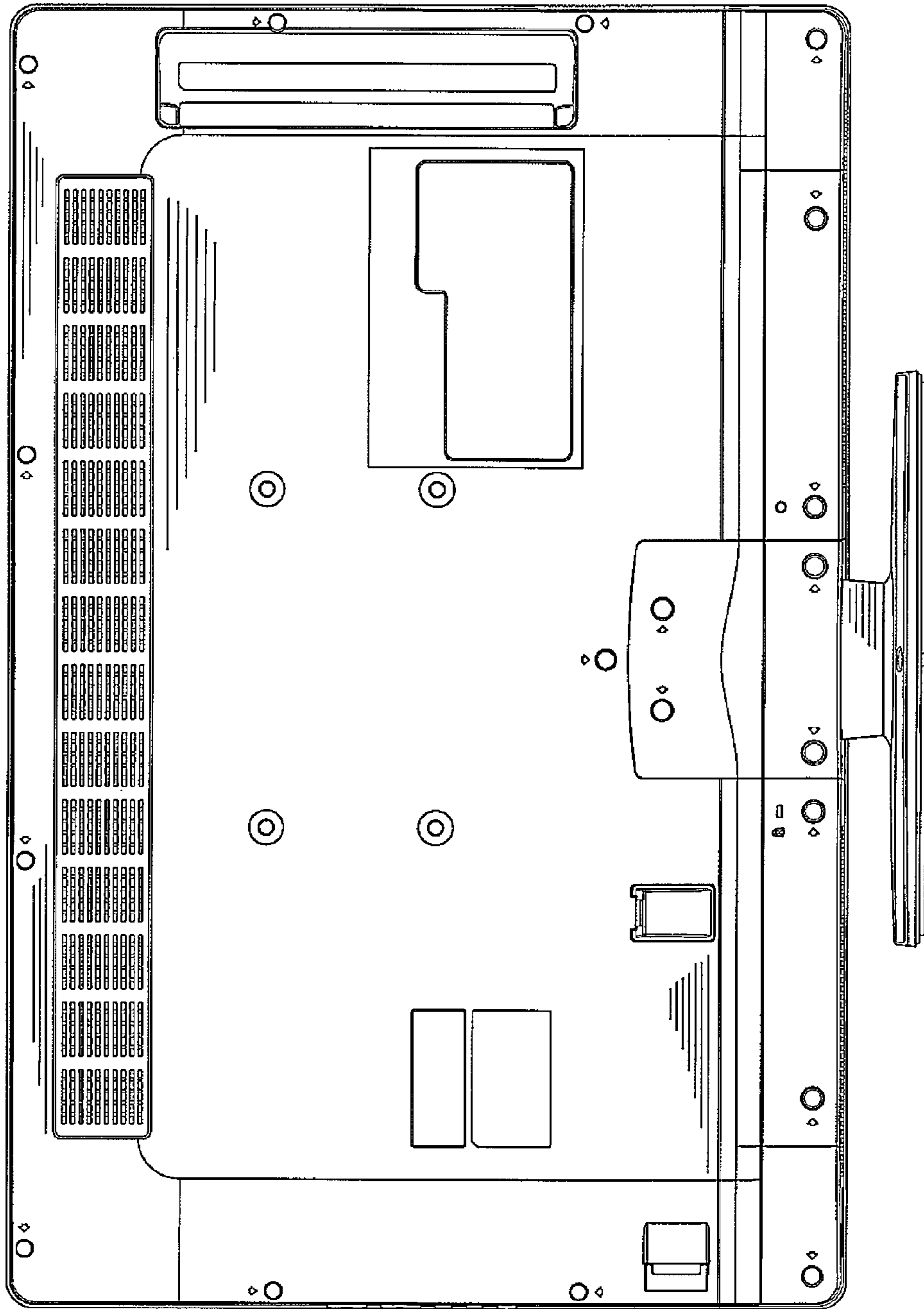


FIG. 3

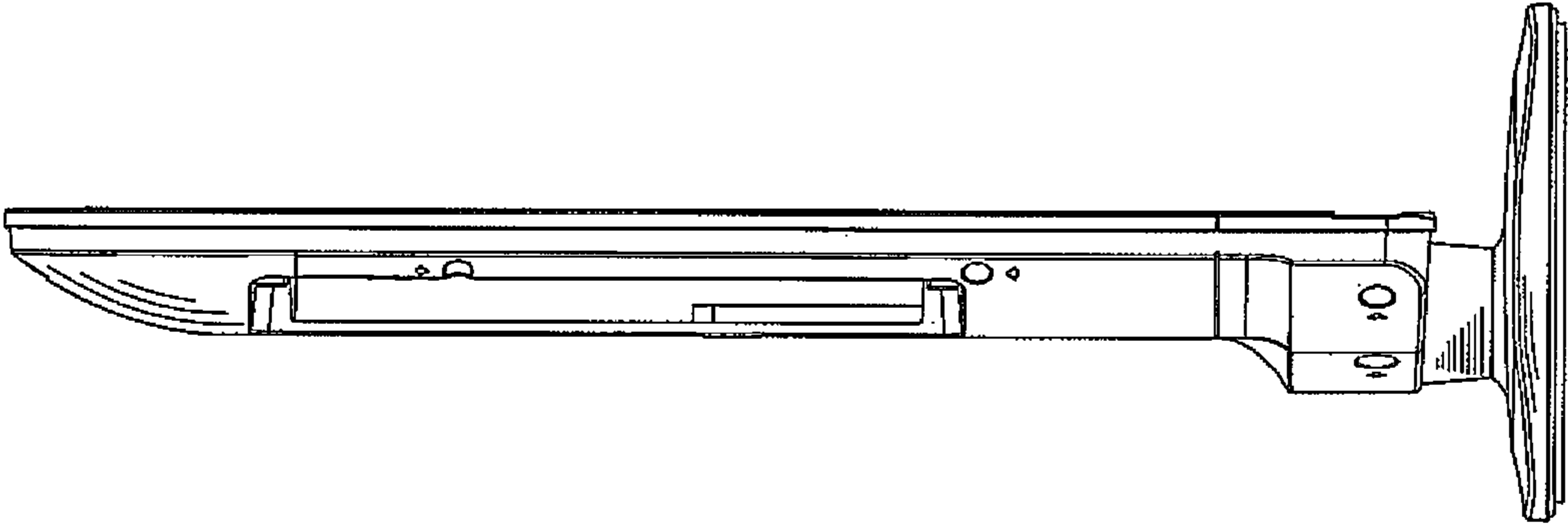


FIG. 4

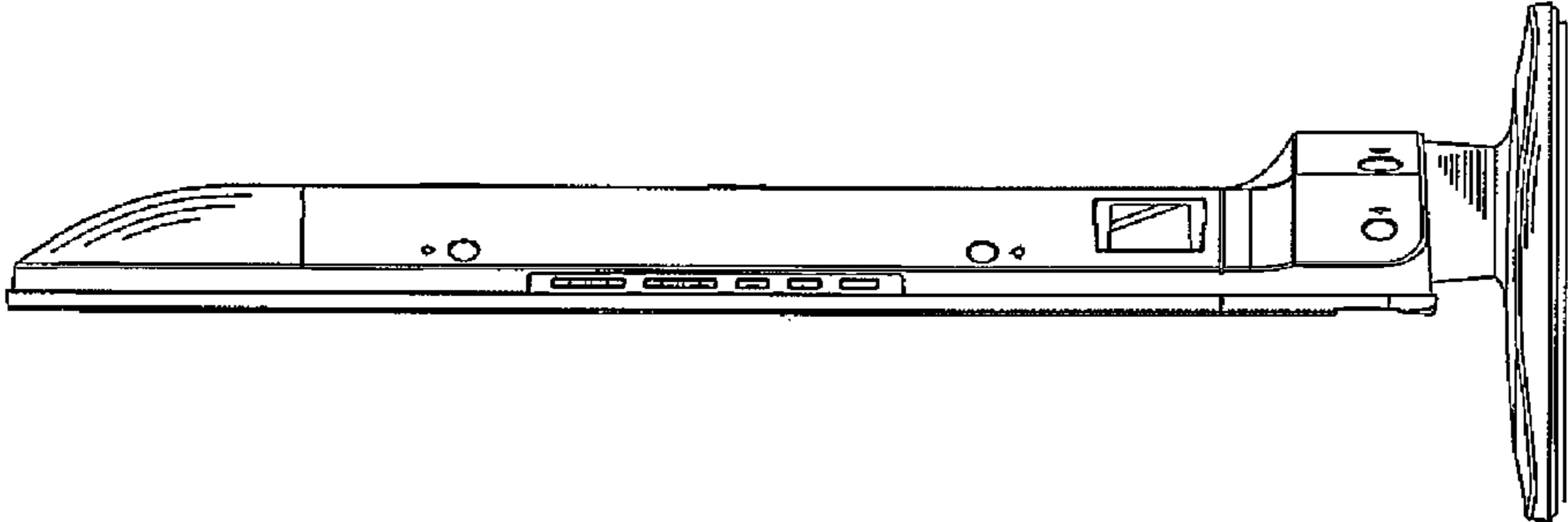


FIG. 5

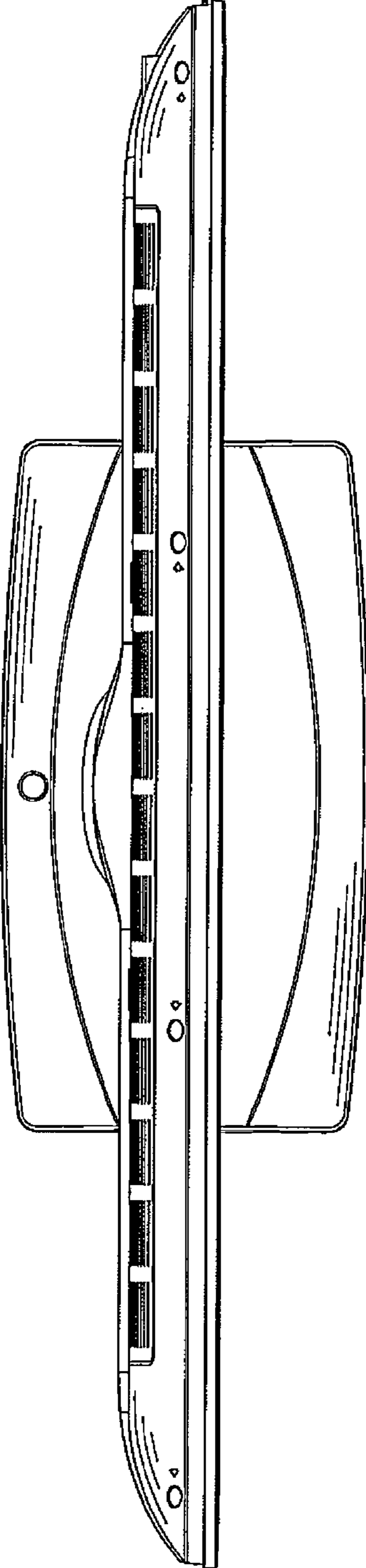


FIG. 6

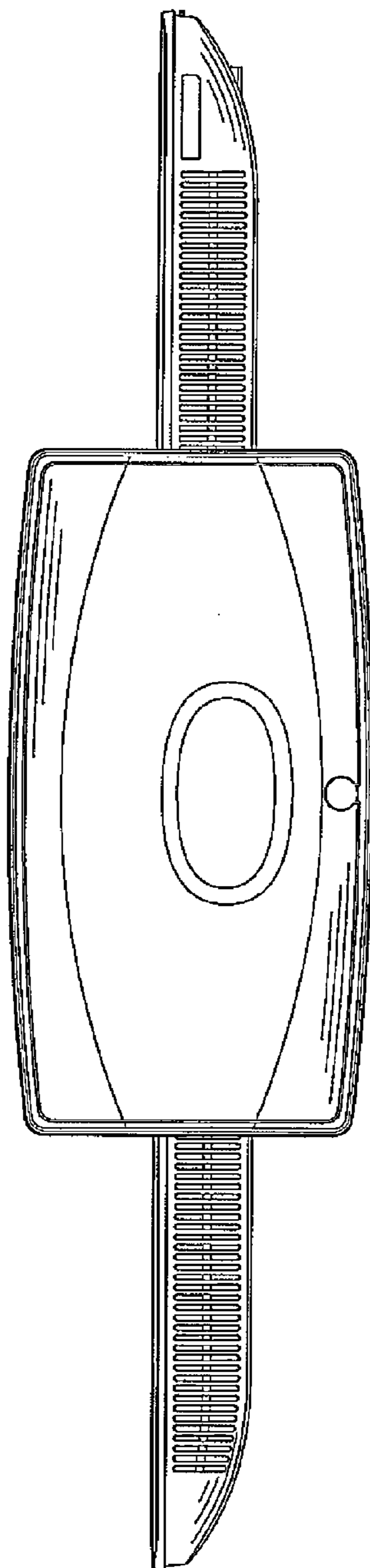


FIG. 7

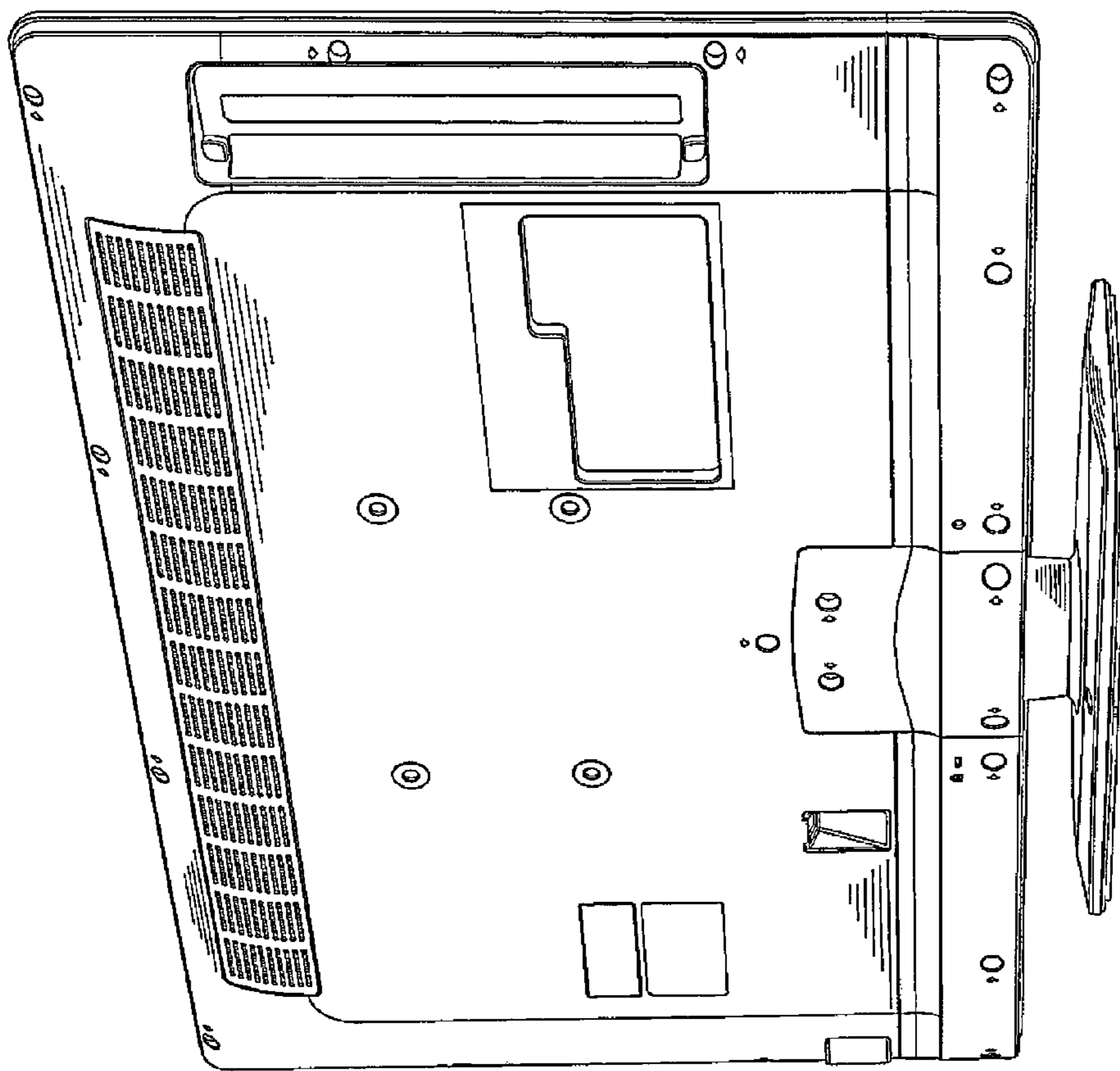


FIG. 8