



US00D694723S

(12) **United States Design Patent**  
**Wu et al.**

(10) **Patent No.:** **US D694,723 S**  
(45) **Date of Patent:** **\*\* Dec. 3, 2013**

(54) **LIGHT-EMITTING DIODE**  
(75) Inventors: **Chun-Yi Wu**, Hsinchu (TW); **Wen-Luh Liao**, Hsinchu (TW); **Hung-Ta Cheng**, Hsinchu (TW)

(73) Assignee: **Epistar Corporation**, Hsinchu (TW)

(\*\*) Term: **14 Years**

(21) Appl. No.: **29/423,282**

(22) Filed: **May 30, 2012**

(30) **Foreign Application Priority Data**

Jan. 19, 2012 (TW) ..... 101300359

(51) **LOC (9) Cl.** ..... **13-03**

(52) **U.S. Cl.**  
USPC ..... **D13/180**

(58) **Field of Classification Search**  
USPC ..... D13/180; D26/1; 257/79, 80, 81, 88,  
257/89, 95, 98, 99, 100, E33.058; 313/483,  
313/498, 500; 362/555, 800  
See application file for complete search history.

(56) **References Cited**

**U.S. PATENT DOCUMENTS**

6,614,056 B1 \* 9/2003 Tarsa et al. .... 257/91  
7,429,755 B2 \* 9/2008 Hsu ..... 257/81  
D604,256 S \* 11/2009 Liu ..... D13/180  
D619,976 S \* 7/2010 Liu et al. .... D13/180  
7,935,979 B2 \* 5/2011 Shum et al. .... 257/99

D648,287 S \* 11/2011 Hsu et al. .... D13/180  
8,188,505 B2 \* 5/2012 Shen et al. .... 257/99  
D680,976 S \* 4/2013 Lee et al. .... D13/180  
D680,977 S \* 4/2013 Hsu et al. .... D13/180  
D681,566 S \* 5/2013 Chen et al. .... D13/180  
D681,567 S \* 5/2013 Wang et al. .... D13/180  
8,450,758 B2 \* 5/2013 Liu et al. .... 257/98  
D684,549 S \* 6/2013 Chu et al. .... D13/180  
2009/0159909 A1 \* 6/2009 Lee et al. .... 257/96  
2010/0025718 A1 \* 2/2010 Shi ..... 257/99  
2011/0278634 A1 \* 11/2011 Na et al. .... 257/99

\* cited by examiner

*Primary Examiner* — Selina Sikder

(74) *Attorney, Agent, or Firm* — Muncy, Geissler, Olds & Lowe, PLLC

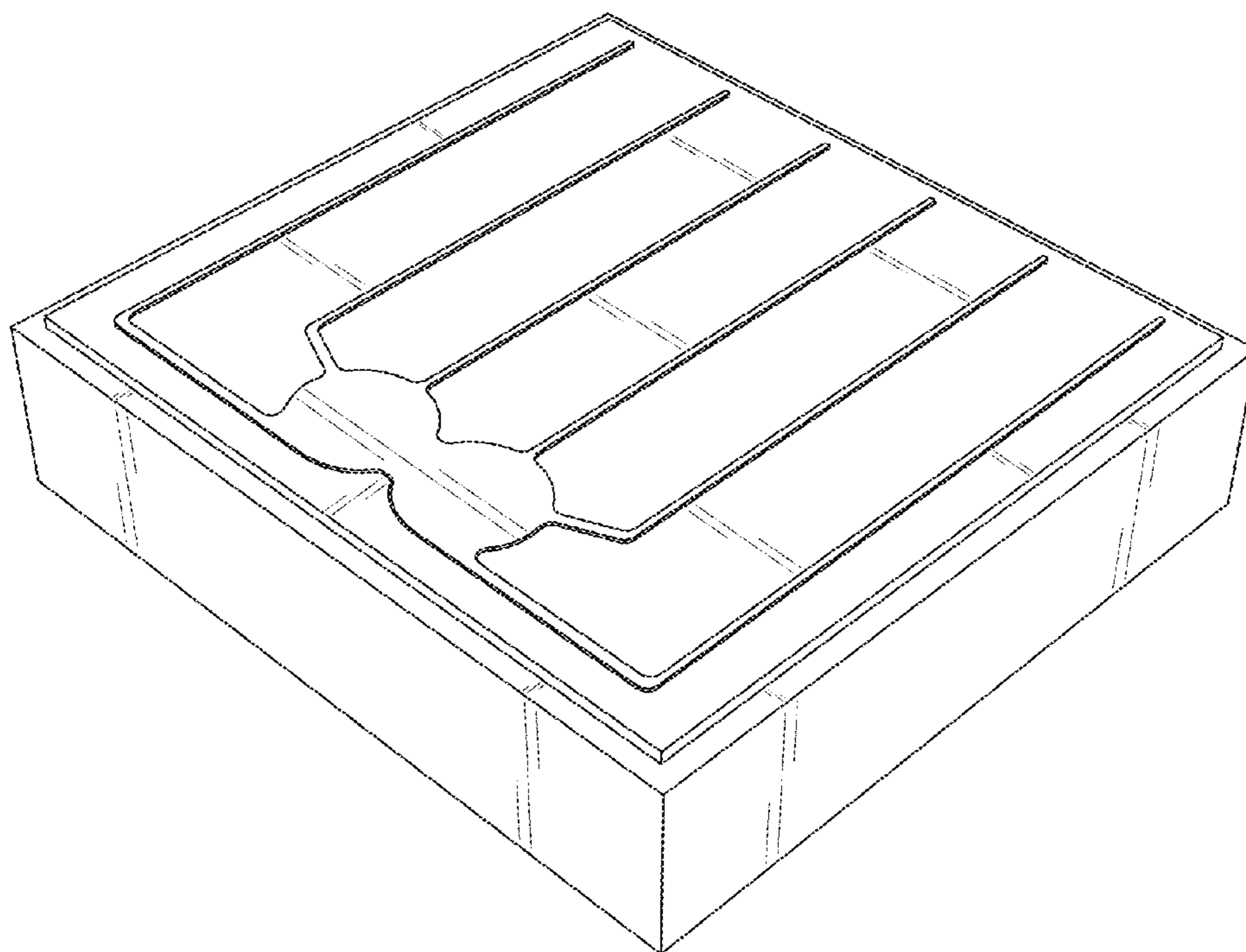
(57) **CLAIM**

The ornamental design for a light-emitting diode, as shown and described.

**DESCRIPTION**

FIG. 1 is a perspective view of a light-emitting diode showing our new design;  
FIG. 2 is another perspective view of the light-emitting diode;  
FIG. 3 is a front elevational view of the light-emitting diode;  
FIG. 4 is a rear elevational view of the light-emitting diode;  
FIG. 5 is a left side view of the light-emitting diode;  
FIG. 6 is a right side view of the light-emitting diode;  
FIG. 7 is a top plan view of the light-emitting diode; and,  
FIG. 8 is a bottom plan view of the light-emitting diode.

**1 Claim, 6 Drawing Sheets**



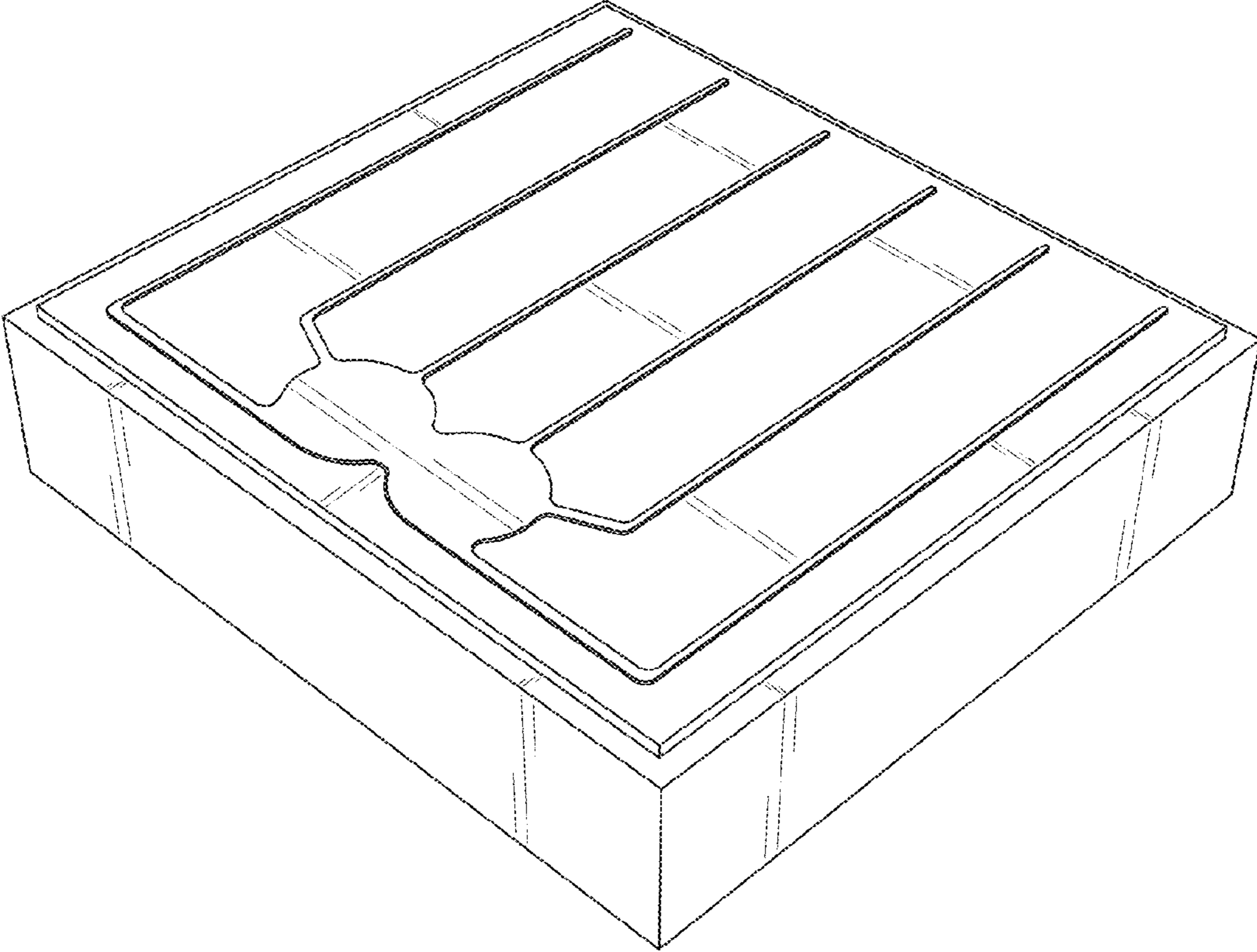


FIG. 1

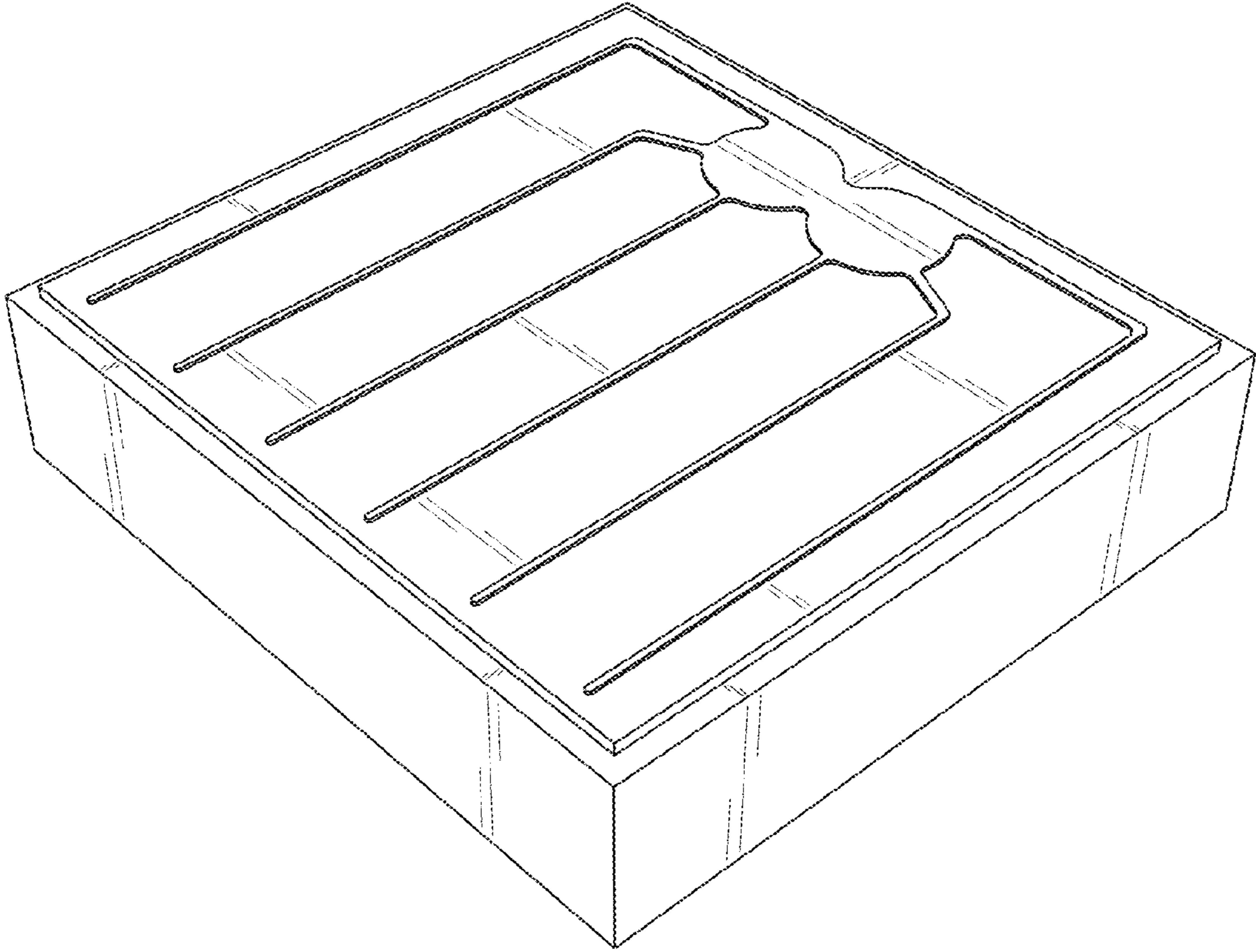


FIG. 2

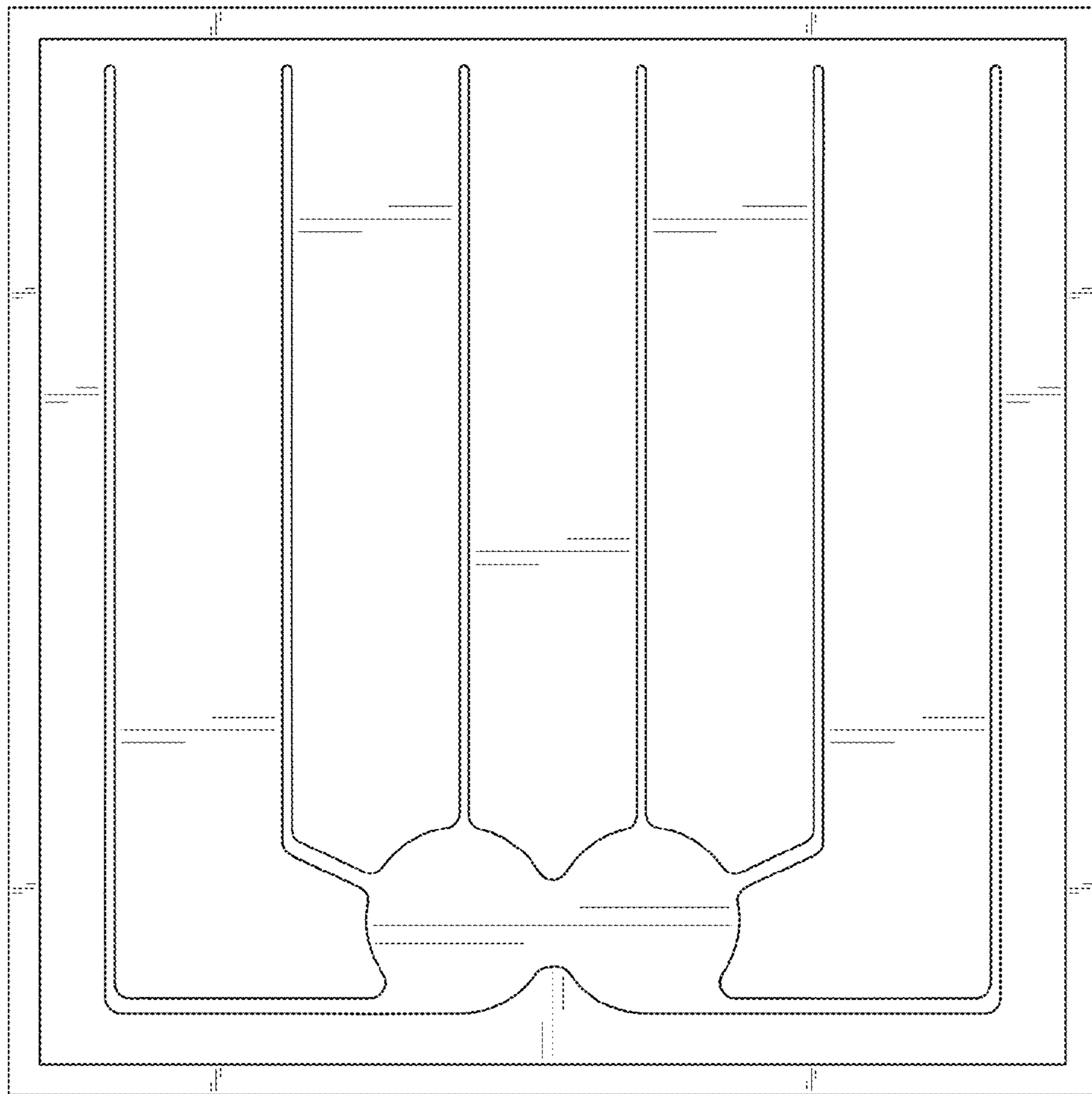


FIG. 3

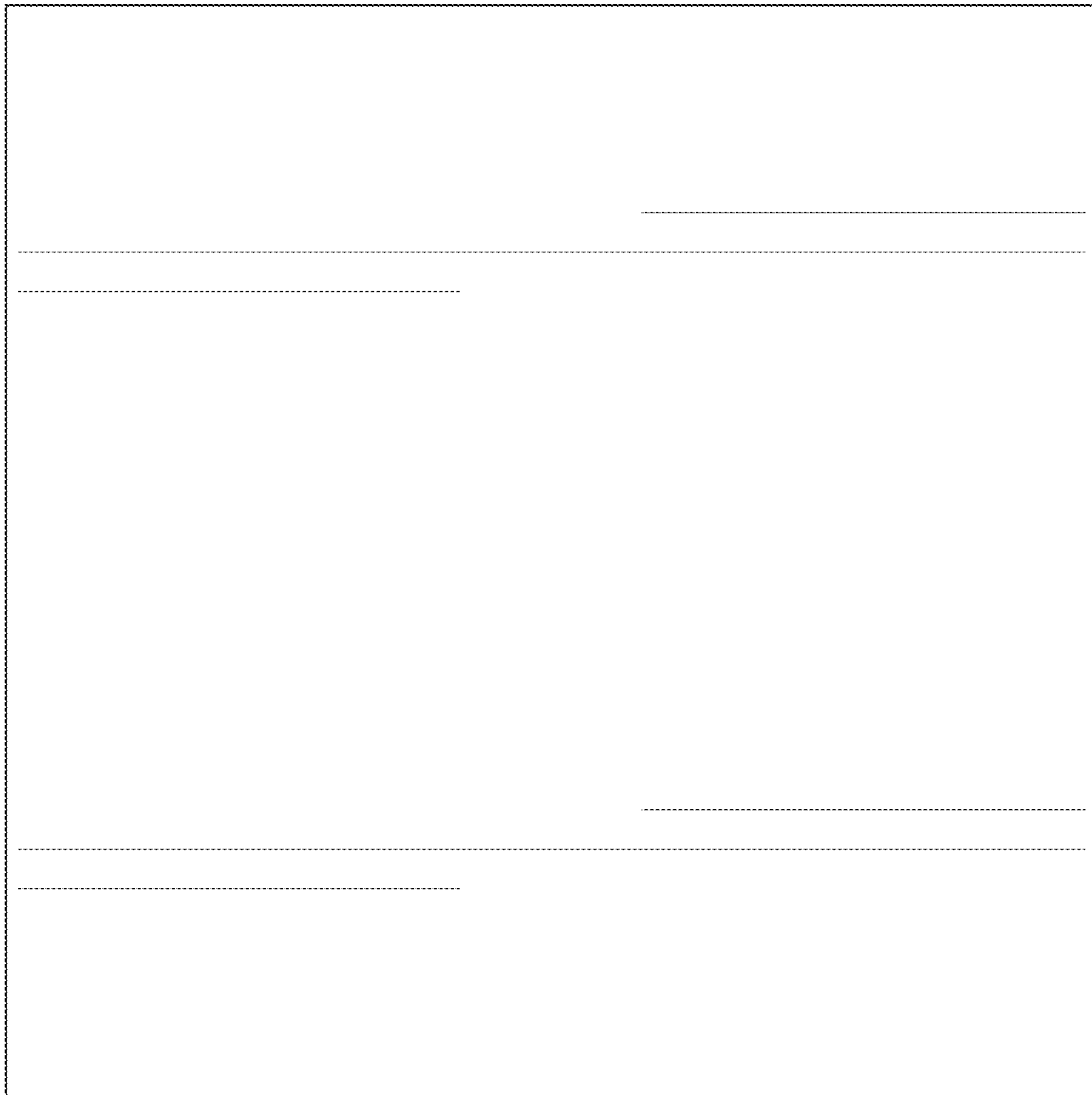


FIG. 4



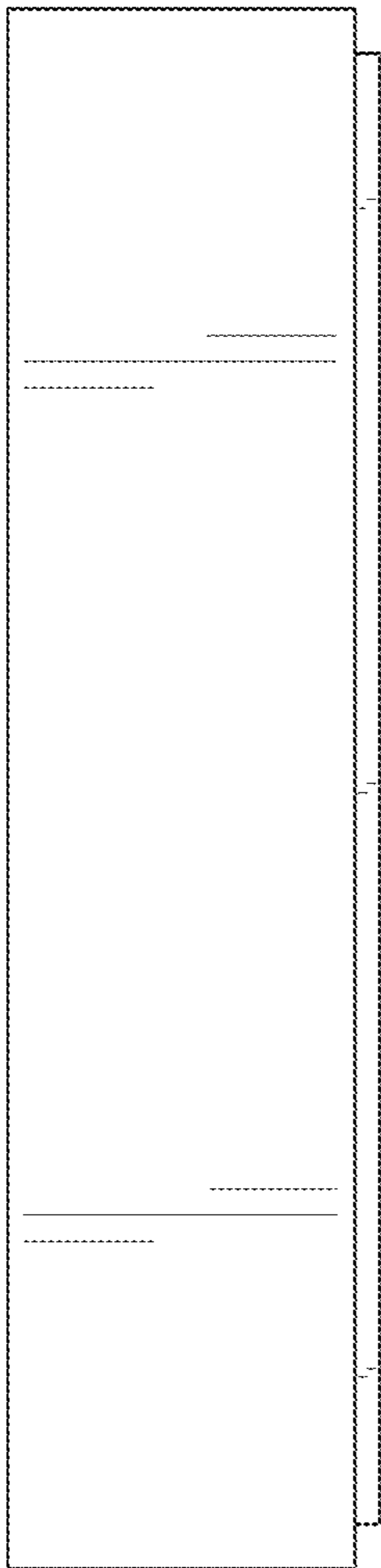


FIG. 5

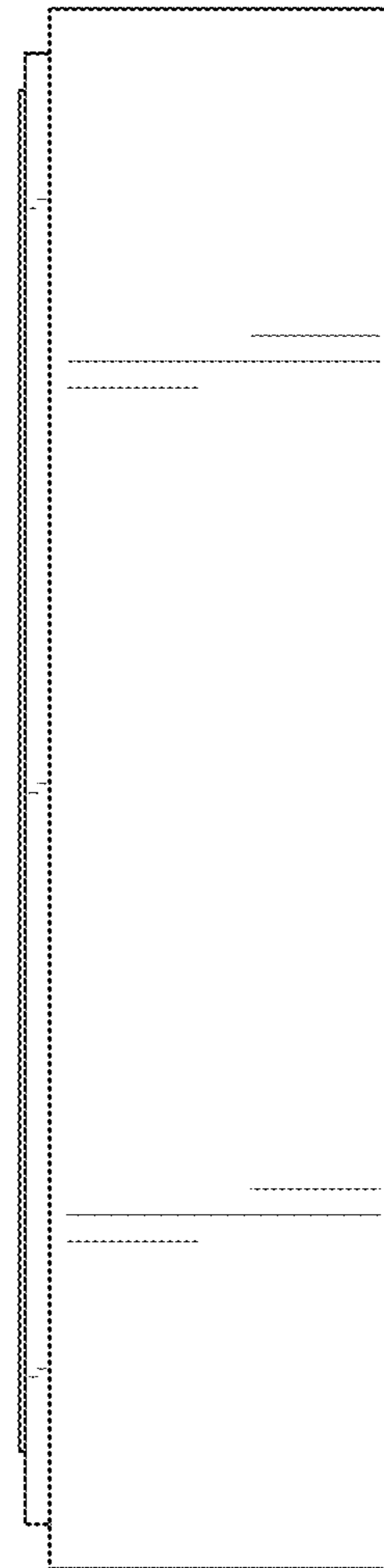


FIG. 6



FIG. 7

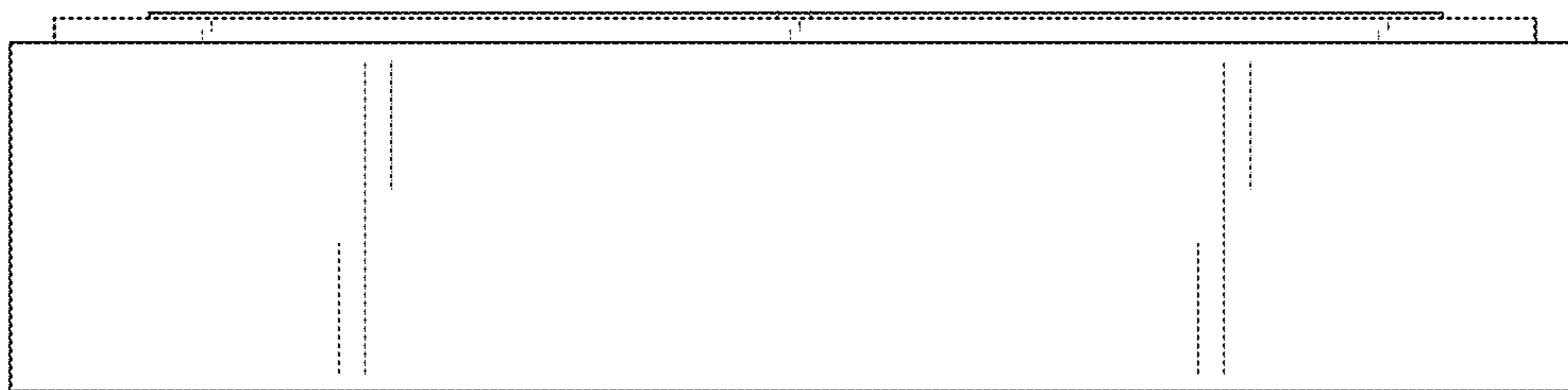


FIG. 8