



US00D694722S

(12) **United States Design Patent**
Shum et al.

(10) **Patent No.:** **US D694,722 S**
(45) **Date of Patent:** **** Dec. 3, 2013**

- (54) **HEATSINK**
- (75) Inventors: **Frank Shum**, Goleta, CA (US); **Clifford Jue**, Goleta, CA (US)
- (73) Assignee: **Soraa, Inc.**, Fremont, CA (US)
- (**) Term: **14 Years**
- (21) Appl. No.: **29/423,725**
- (22) Filed: **Jun. 4, 2012**

7,744,259	B2 *	6/2010	Walczak et al.	362/421
D619,551	S *	7/2010	Lin et al.	D13/179
7,824,075	B2	11/2010	Maxik	
7,972,040	B2	7/2011	Li et al.	
7,993,031	B2 *	8/2011	Grajcar	362/294
D652,564	S *	1/2012	Maxik	D26/118
D662,899	S *	7/2012	Shum et al.	D13/179
D662,900	S *	7/2012	Shum et al.	D13/179
8,324,835	B2	12/2012	Shum et al.	
D674,960	S *	1/2013	Chen et al.	D26/113
2003/0058650	A1	3/2003	Shih	
2005/0174780	A1 *	8/2005	Park	362/294
2006/0262545	A1	11/2006	Pieprgras et al.	

(Continued)

Related U.S. Application Data

- (63) Continuation-in-part of application No. 29/399,523, filed on Aug. 15, 2011, now Pat. No. Des. 662,899, and a continuation-in-part of application No. 29/399,524, filed on Aug. 15, 2011, now Pat. No. Des. 662,900.
- (51) **LOC (9) Cl.** **13-03**
- (52) **U.S. Cl.**
USPC **D13/179**
- (58) **Field of Classification Search**
USPC D13/179; D26/2; 165/80.3, 104.26, 165/104.33, 122, 151, 185; 257/706, 707, 257/718-722; 313/46; 315/52; 361/695, 361/697, 700, 702, 704, 709, 710, 711, 719
See application file for complete search history.

References Cited

- (56) **References Cited**
- U.S. PATENT DOCUMENTS**
- 5,764,674 A 6/1998 Hibbs-Brenner et al.
- 6,501,154 B2 12/2002 Morita et al.
- 6,787,999 B2 9/2004 Stimac et al.
- 6,964,877 B2 11/2005 Chen et al.
- D545,457 S * 6/2007 Chen D26/2
- 7,344,279 B2 3/2008 Mueller et al.
- D592,613 S * 5/2009 Plonski et al. D13/179
- 7,637,635 B2 * 12/2009 Xiao et al. 362/294
- 7,658,528 B2 2/2010 Hoelen et al.
- 7,663,229 B2 2/2010 Lu et al.
- D618,634 S * 6/2010 Lin et al. D13/179

OTHER PUBLICATIONS

USPTO Office Action for U.S. Appl. No. 13/025,791 dated Feb. 20, 2013.

(Continued)

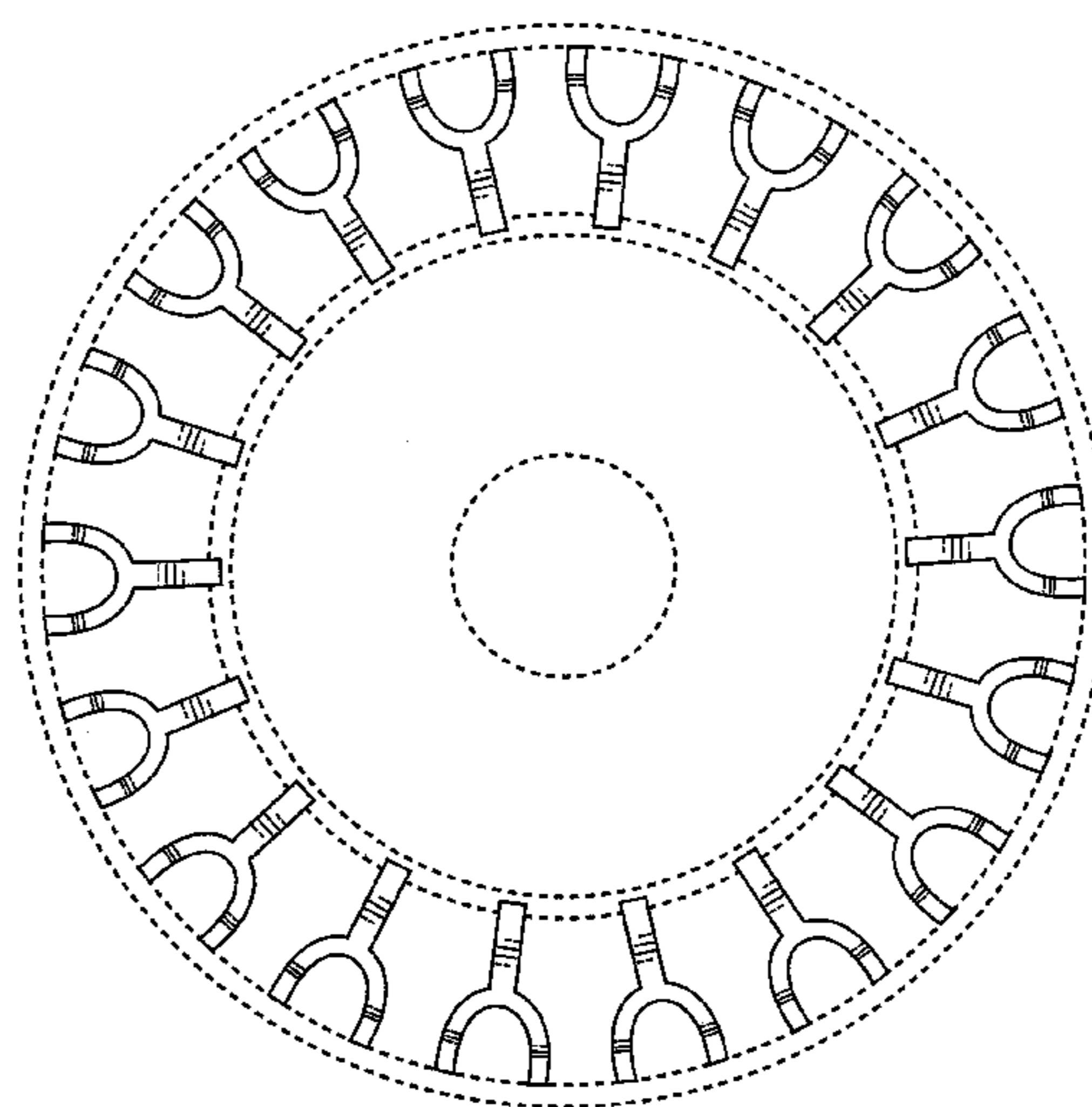
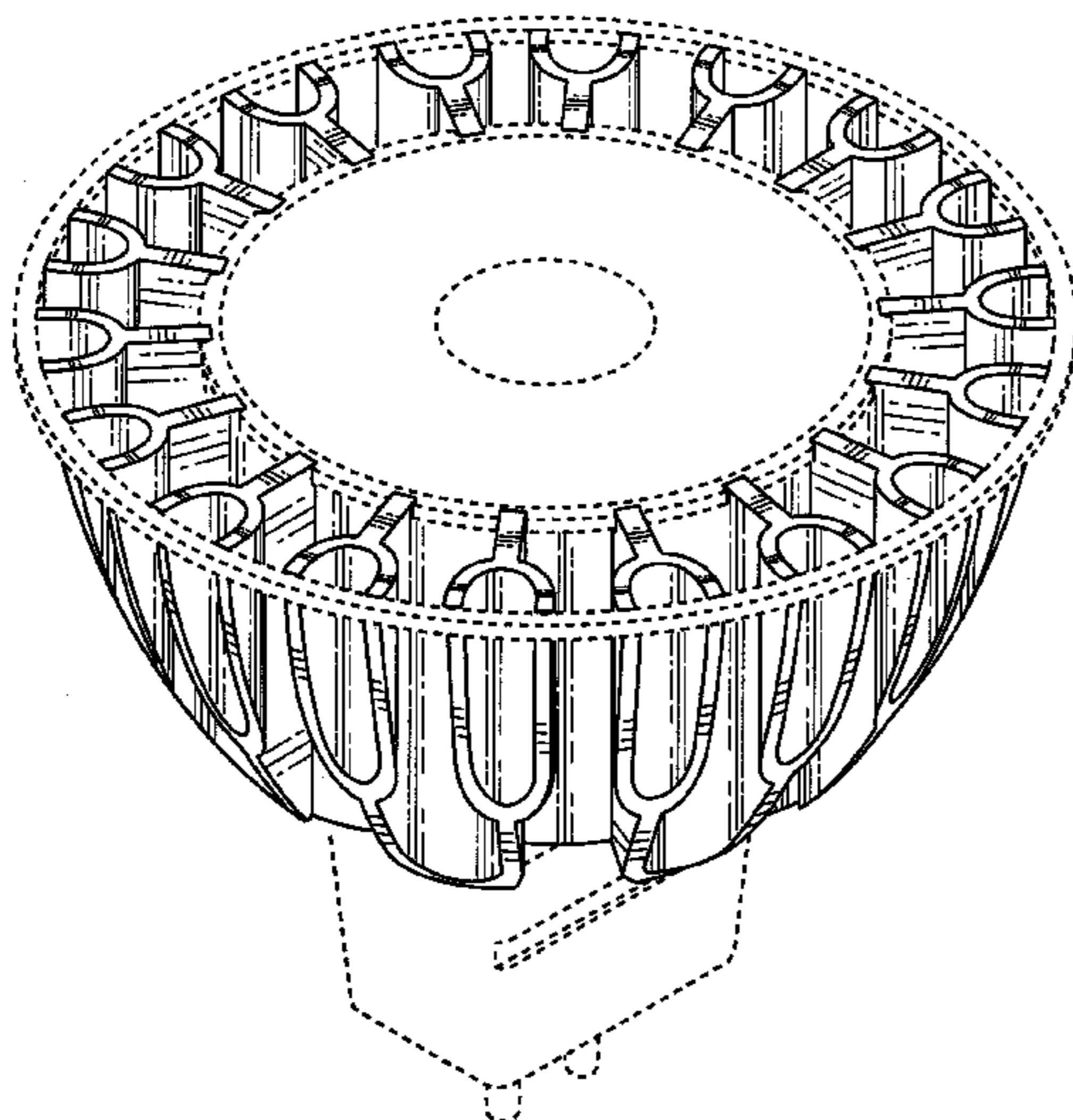
Primary Examiner — Selina Sikder
(74) *Attorney, Agent, or Firm* — Kilpatrick Townsend & Stockton LLP

(57) **CLAIM**
The ornamental design for a heatsink, as shown and described.

DESCRIPTION

FIG. 1 is a perspective view a heatsink showing our new design;
FIG. 2 is a front elevational view thereof;
FIG. 3 is a rear elevational view thereof;
FIG. 4 is a left side elevational view thereof;
FIG. 5 is a right side elevational view thereof;
FIG. 6 is a top plan view thereof; and,
FIG. 7 is a bottom plan view thereof.
The broken lines are for illustrative purposes only and form no part of the claimed design.

1 Claim, 7 Drawing Sheets



(56)

References Cited

U.S. PATENT DOCUMENTS

2008/0158887 A1 7/2008 Zhu et al.
2009/0072252 A1 3/2009 Son et al.
2009/0134421 A1 5/2009 Negley
2009/0154166 A1 6/2009 Zhang et al.
2010/0060130 A1 3/2010 Li
2010/0091487 A1* 4/2010 Shin 362/235
2010/0148145 A1 6/2010 Ishibashi et al.
2010/0207534 A1 8/2010 Dowling et al.
2010/0277068 A1 11/2010 Broitzman
2010/0320499 A1 12/2010 Catalano et al.
2011/0032708 A1 2/2011 Johnston et al.
2011/0056429 A1 3/2011 Raring et al.
2011/0140586 A1 6/2011 Wang
2011/0182065 A1 7/2011 Negley et al.
2011/0198979 A1 8/2011 Shum et al.
2011/0204763 A1 8/2011 Shum et al.
2011/0204779 A1 8/2011 Shum et al.

2011/0309734 A1* 12/2011 Lin et al. 313/46
2012/0187830 A1 7/2012 Shum et al.
2013/0058099 A1 3/2013 Shum et al.

OTHER PUBLICATIONS

USPTO Office Action for U.S. Appl. No. 13/025,849 dated Mar. 15, 2013.
USPTO Office Action for U.S. Appl. No. 12/785,953 dated Apr. 12, 2012.
USPTO Office Action for U.S. Appl. No. 13/025,791 dated Nov. 25, 2011.
USPTO Office Action for U.S. Appl. No. 13/025,833 dated Dec. 14, 2011.
USPTO Office Action for U.S. Appl. No. 13/025,833 dated Jul. 12, 2012.
USPTO Office Action for U.S. Appl. No. 13/025,860 dated Dec. 30, 2011.
USPTO Notice of Allowance for U.S. Appl. No. 13/025,860 dated Jun. 8, 2012.

* cited by examiner

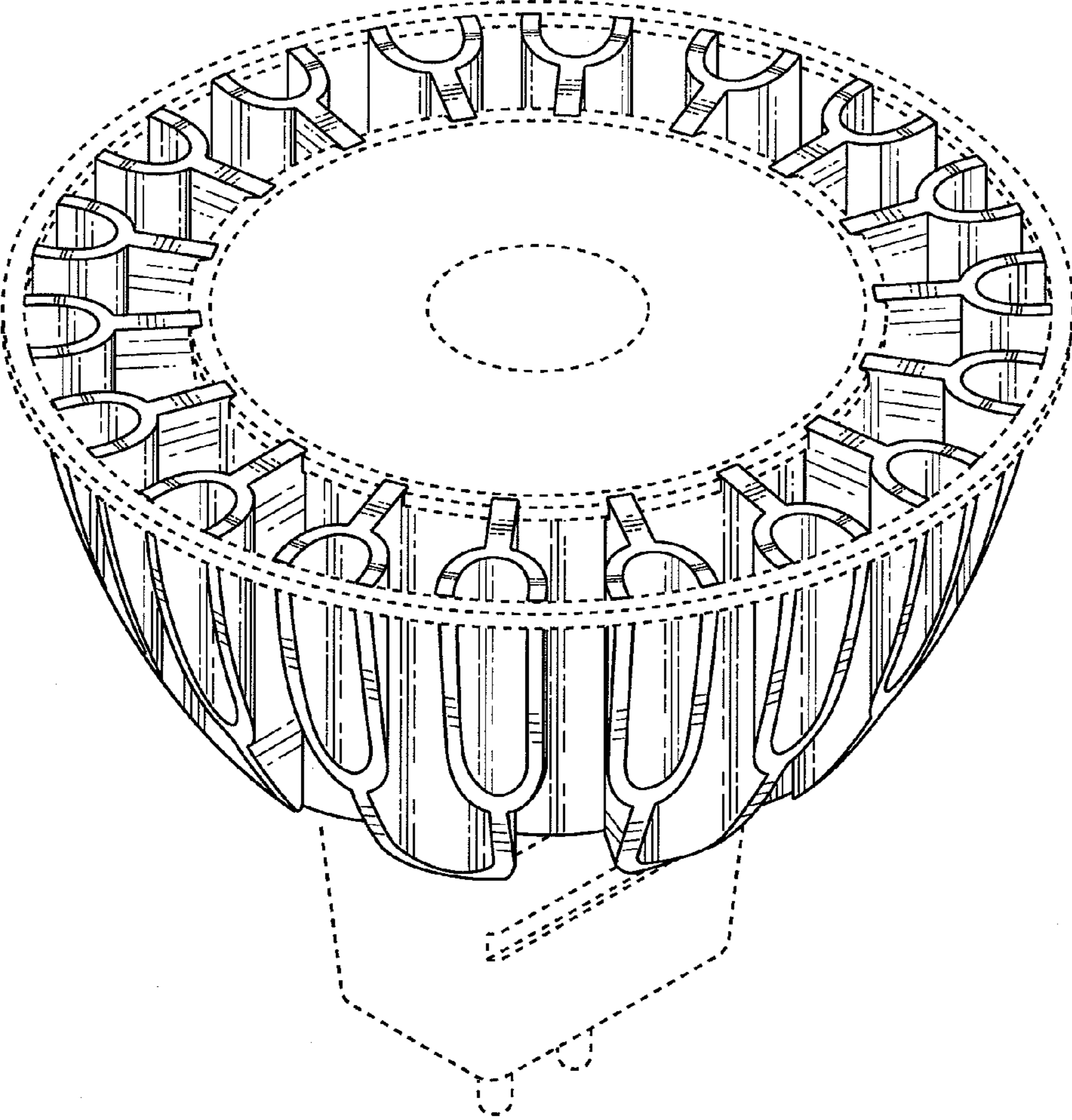


FIG. 1

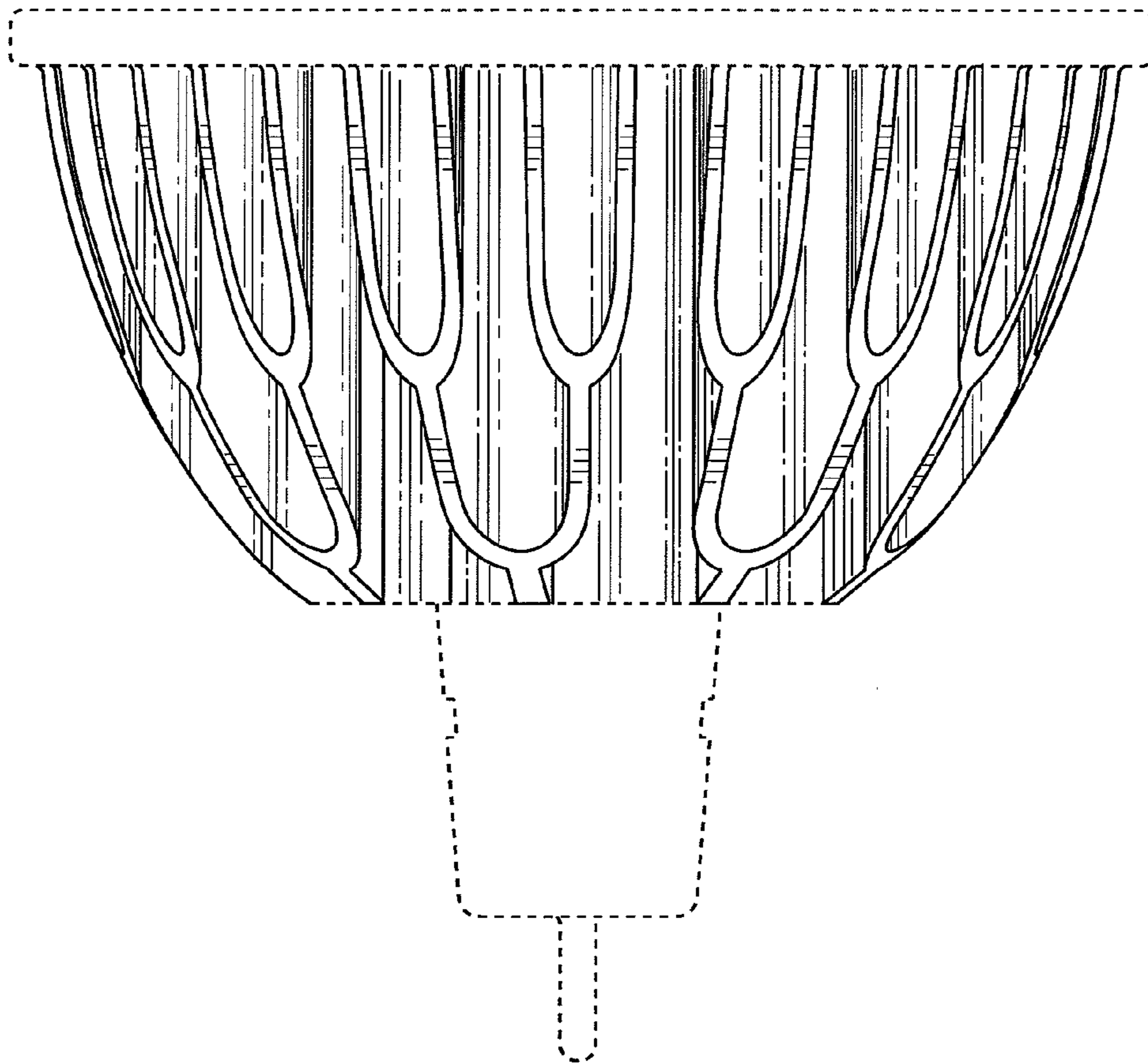


FIG. 2

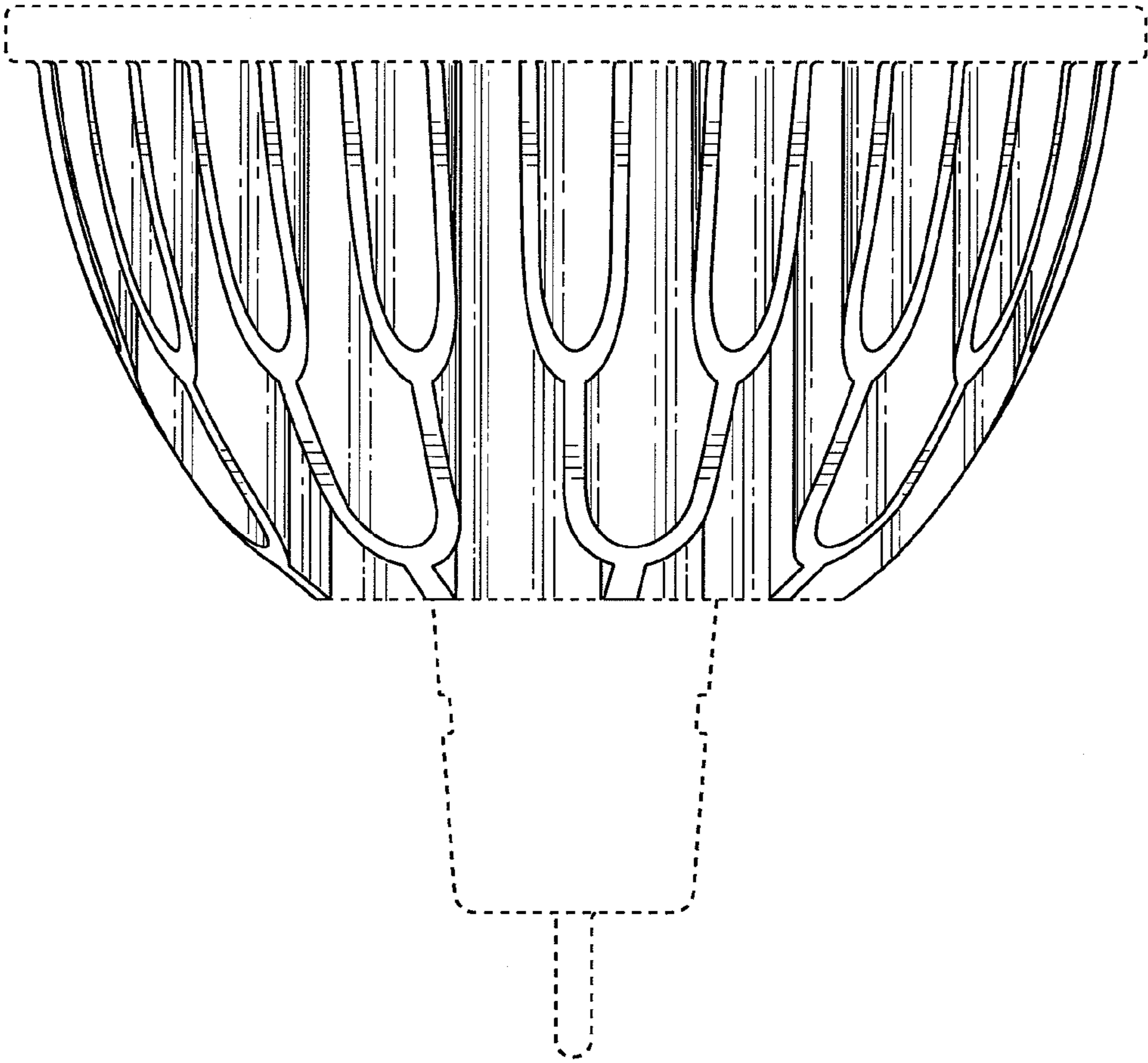


FIG. 3

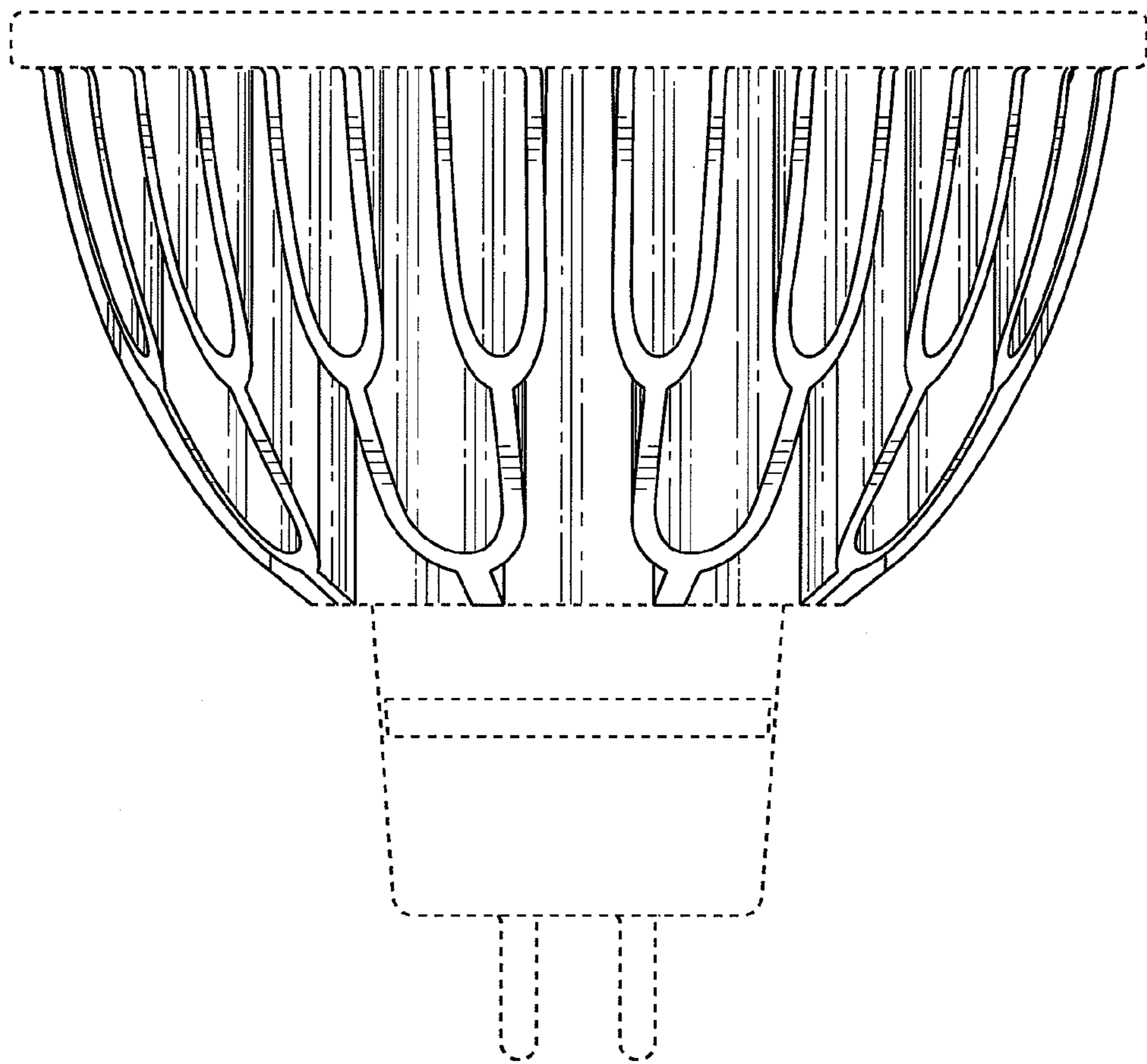


FIG. 4

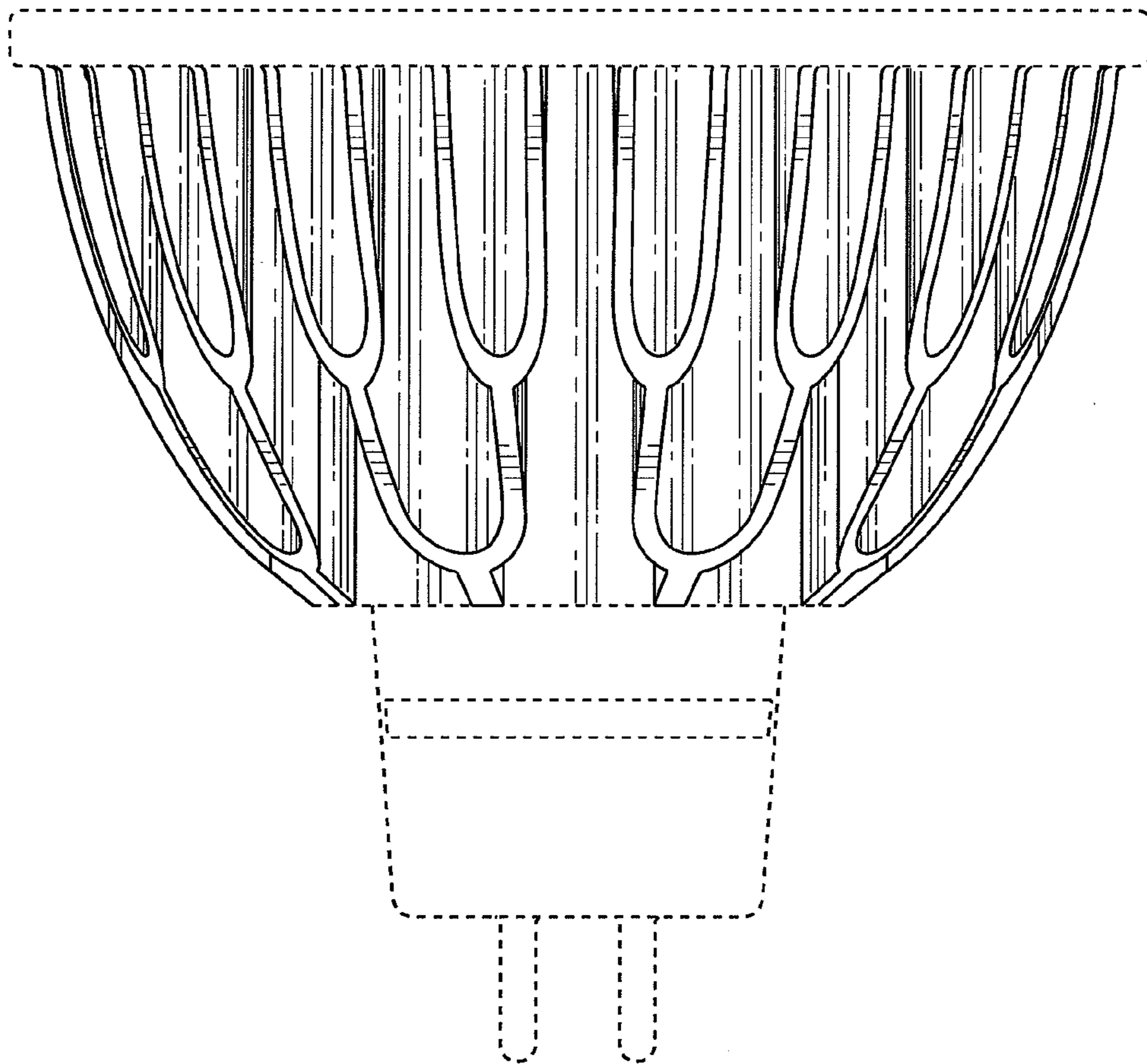


FIG. 5

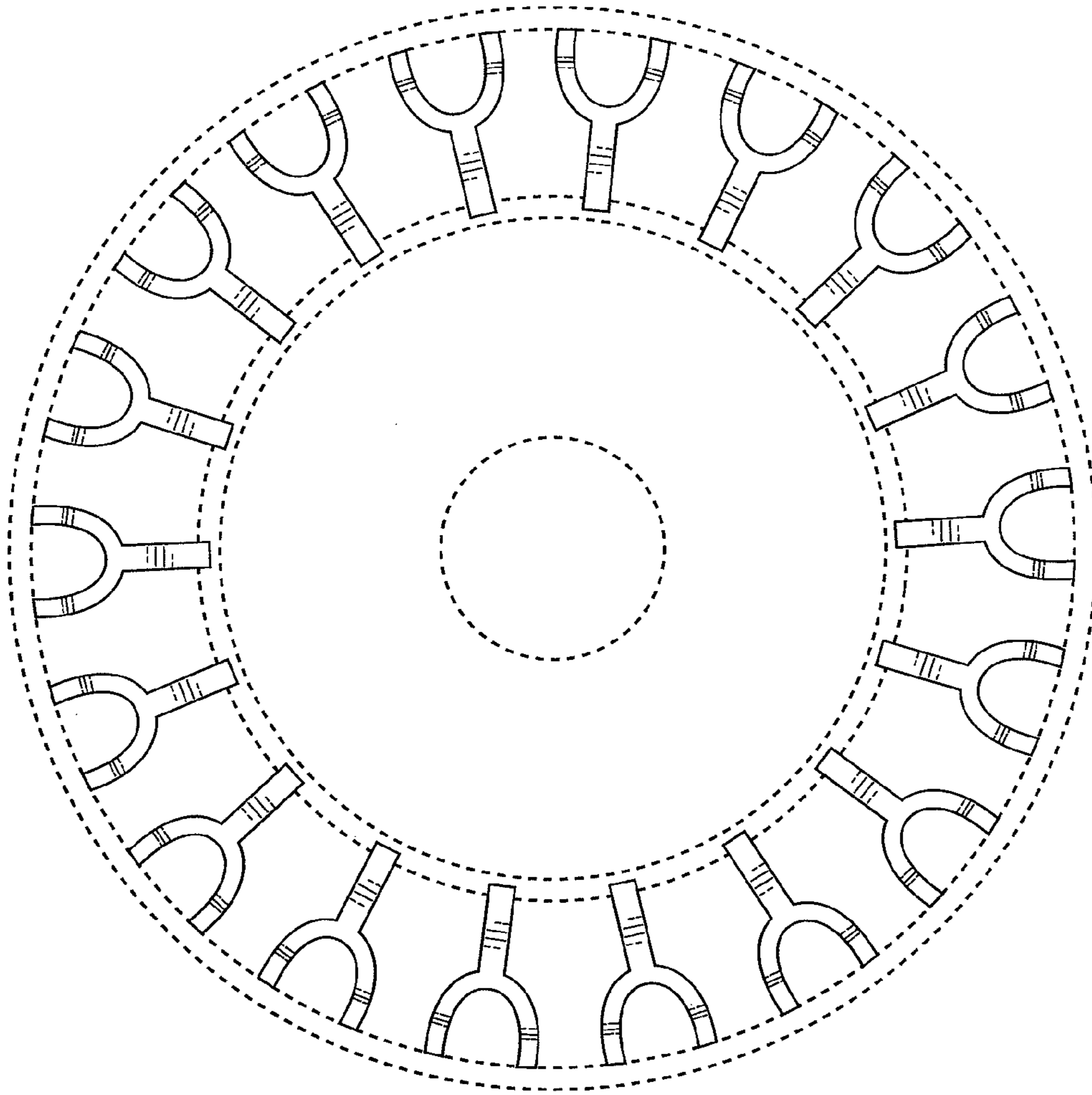


FIG. 6

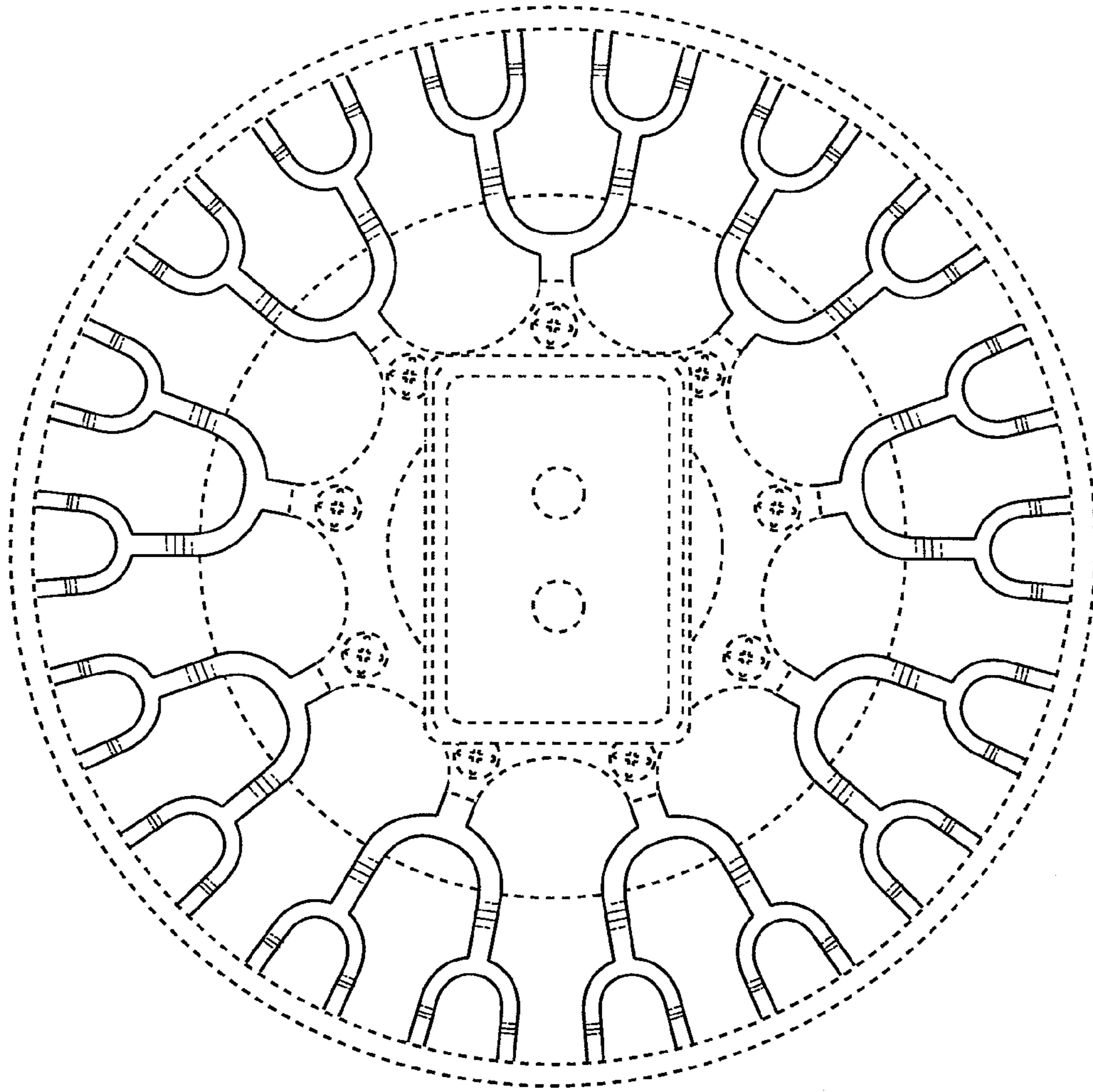


FIG. 7