

US00D694720S

(12) **United States Design Patent**  
**Turk**

(10) **Patent No.:** **US D694,720 S**

(45) **Date of Patent:** **\*\* Dec. 3, 2013**

(54) **STRIKE PLATE FOR FUSE CUTOUT ASSEMBLY**

(71) Applicant: **Terry E. Turk**, Sardis City, AL (US)

(72) Inventor: **Terry E. Turk**, Sardis City, AL (US)

(\*\*) Term: **14 Years**

(21) Appl. No.: **29/444,412**

(22) Filed: **Jan. 30, 2013**

(51) **LOC (9) Cl.** ..... **13-03**

(52) **U.S. Cl.**  
USPC ..... **D13/178**

(58) **Field of Classification Search**  
USPC ..... D13/161, 173, 178, 199; 337/187, 188,  
337/158, 159, 160, 162, 168, 180, 186, 190,  
337/191

See application file for complete search history.

(56) **References Cited**

**U.S. PATENT DOCUMENTS**

2,176,227	A	10/1939	Schultz et al.	
2,324,044	A	7/1943	Triplett et al.	
2,324,888	A	7/1943	Strobel	
2,716,681	A *	8/1955	Smith, Jr.	337/156
D239,717	S *	4/1976	Allen	D13/161
3,958,205	A	5/1976	Beard et al.	
4,010,438	A *	3/1977	Scherer	337/232
4,057,775	A *	11/1977	Biller	337/186
D254,487	S *	3/1980	Biller et al.	D13/178
D254,545	S *	3/1980	Evans et al.	D13/178
D254,614	S *	4/1980	Biller et al.	D13/178
D254,615	S *	4/1980	Evans et al.	D13/178

D254,668	S *	4/1980	Chabala	D13/178
4,317,099	A	2/1982	Sabis	
D278,331	S *	4/1985	McNaghten et al.	D13/178
4,540,968	A	9/1985	Kato et al.	
4,870,387	A	9/1989	Harmon	
D311,902	S *	11/1990	Scherer	D13/173
5,675,308	A *	10/1997	Scherer et al.	337/186
6,583,708	B1	6/2003	Smith et al.	
6,922,132	B2	7/2005	Montante	
7,786,841	B2	8/2010	Kesting	

**OTHER PUBLICATIONS**

[http://en.wikipedia.org/wiki/Fuse\\_cutout](http://en.wikipedia.org/wiki/Fuse_cutout) 2 pages from website and directed to a Fuse Cutout.

\* cited by examiner

*Primary Examiner* — Thomas Johannes

(74) *Attorney, Agent, or Firm* — Kenneth M. Bush; Bush Intellectual Property Law

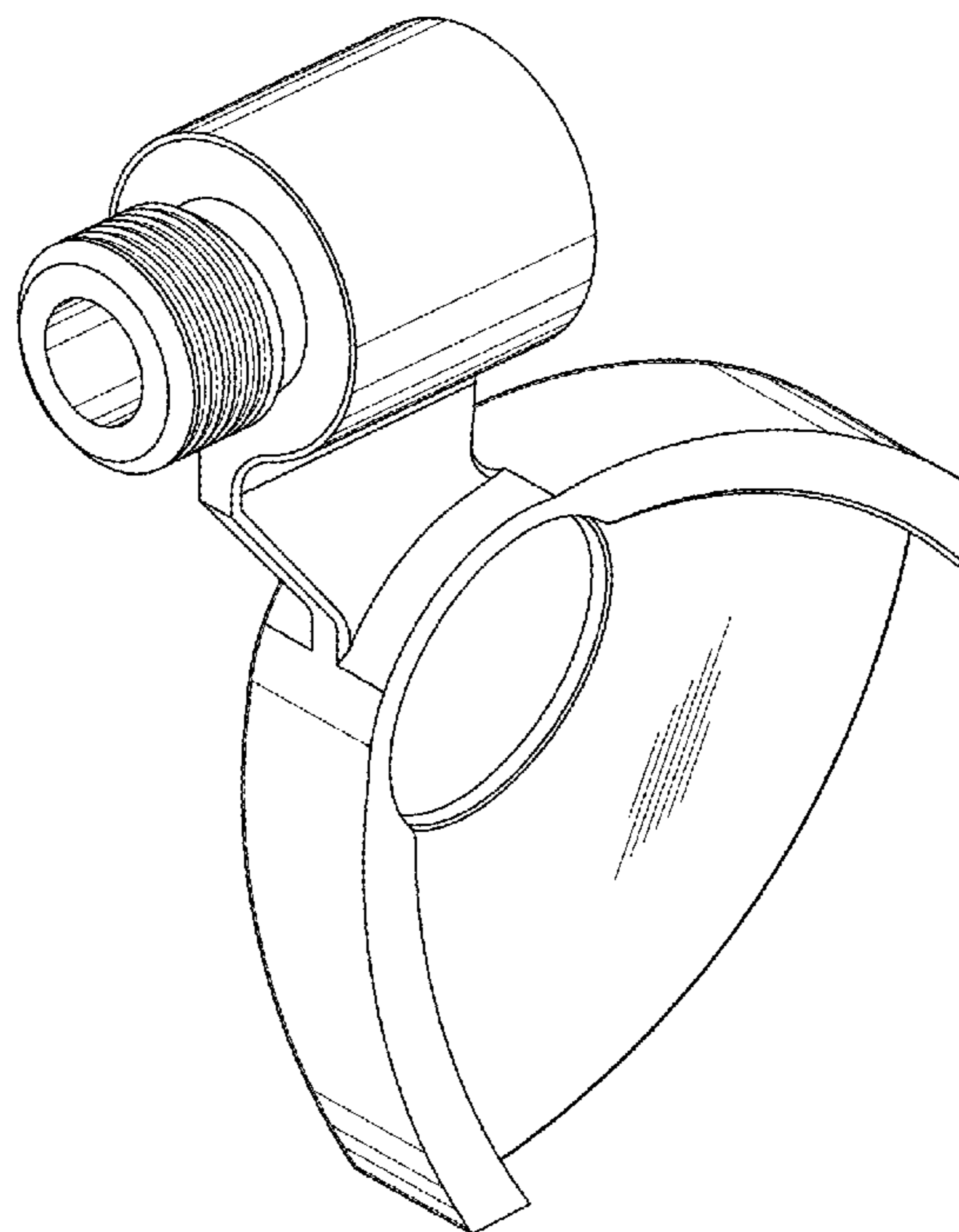
(57) **CLAIM**

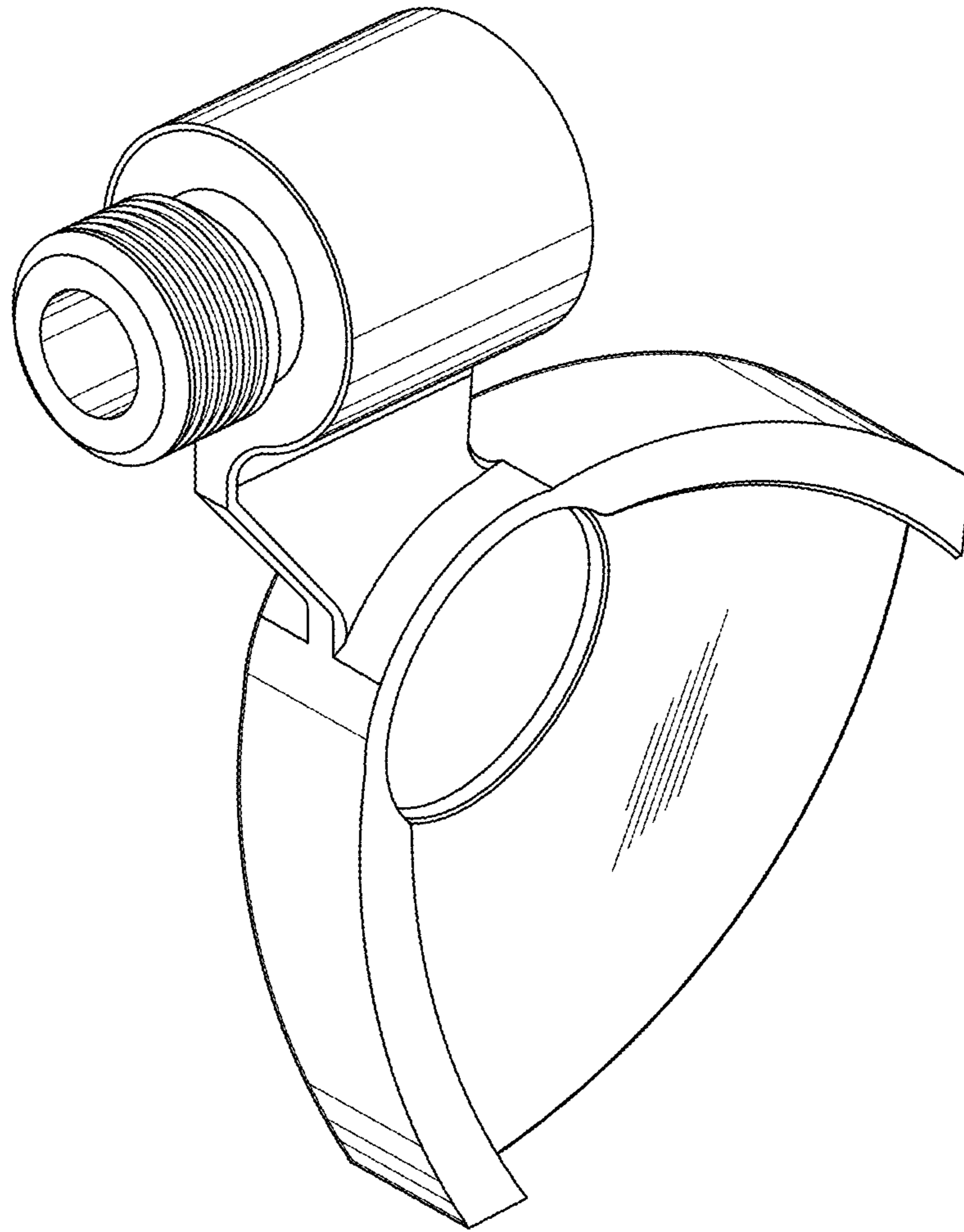
I claim the ornamental design for a strike plate for fuse cutout assembly, as shown and described.

**DESCRIPTION**

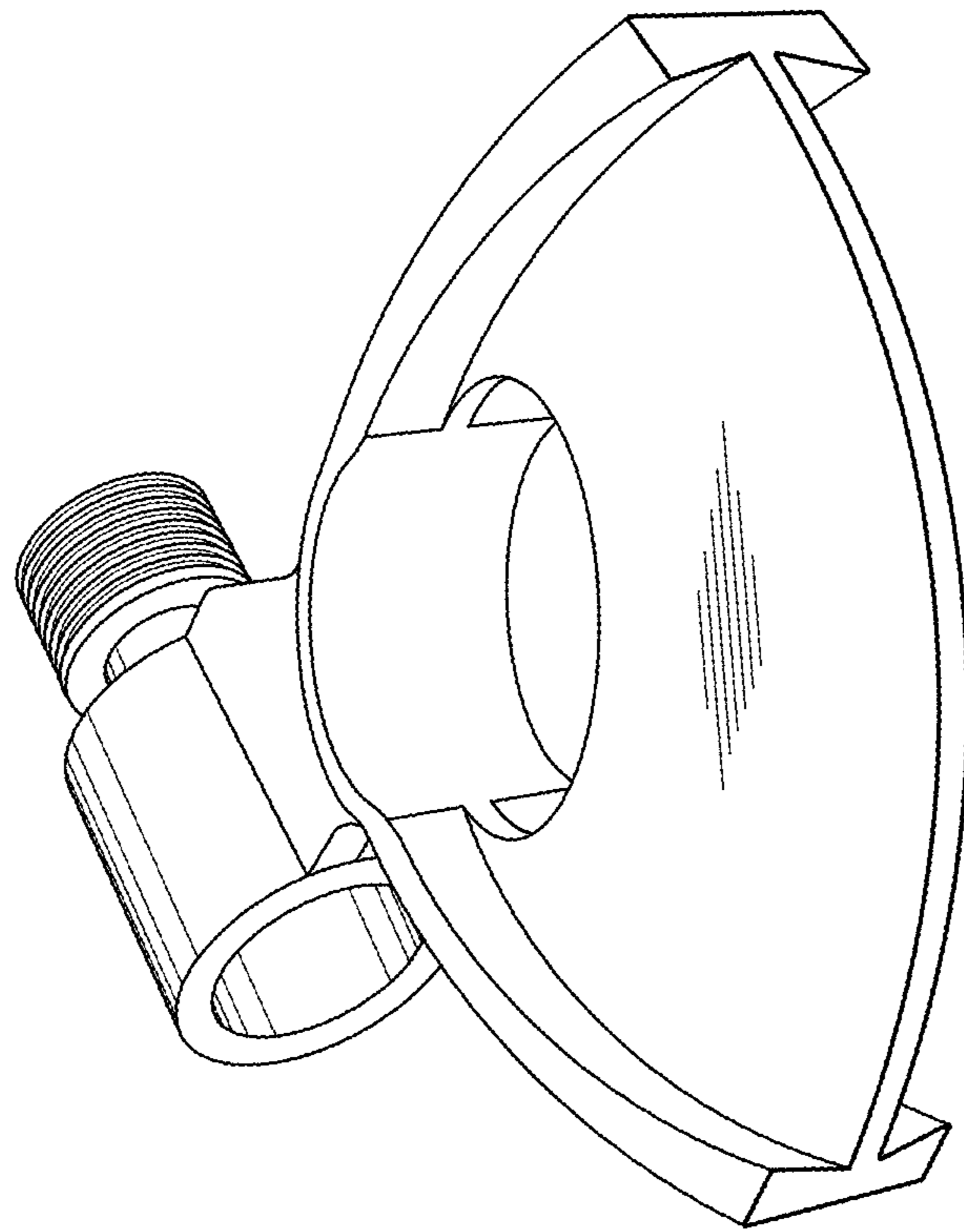
FIG. 1 is a right side, top, rear perspective view of a strike plate for fuse cutout assembly showing my new design; FIG. 2 is a left side, bottom, front perspective view thereof; FIG. 3 is a right side elevation view thereof; FIG. 4 is a left side elevation view thereof; FIG. 5 is a top plan view thereof; FIG. 6 is a bottom plan view thereof; FIG. 7 is a rear elevation view thereof; and, FIG. 8 is a front elevation view thereof.

**1 Claim, 5 Drawing Sheets**

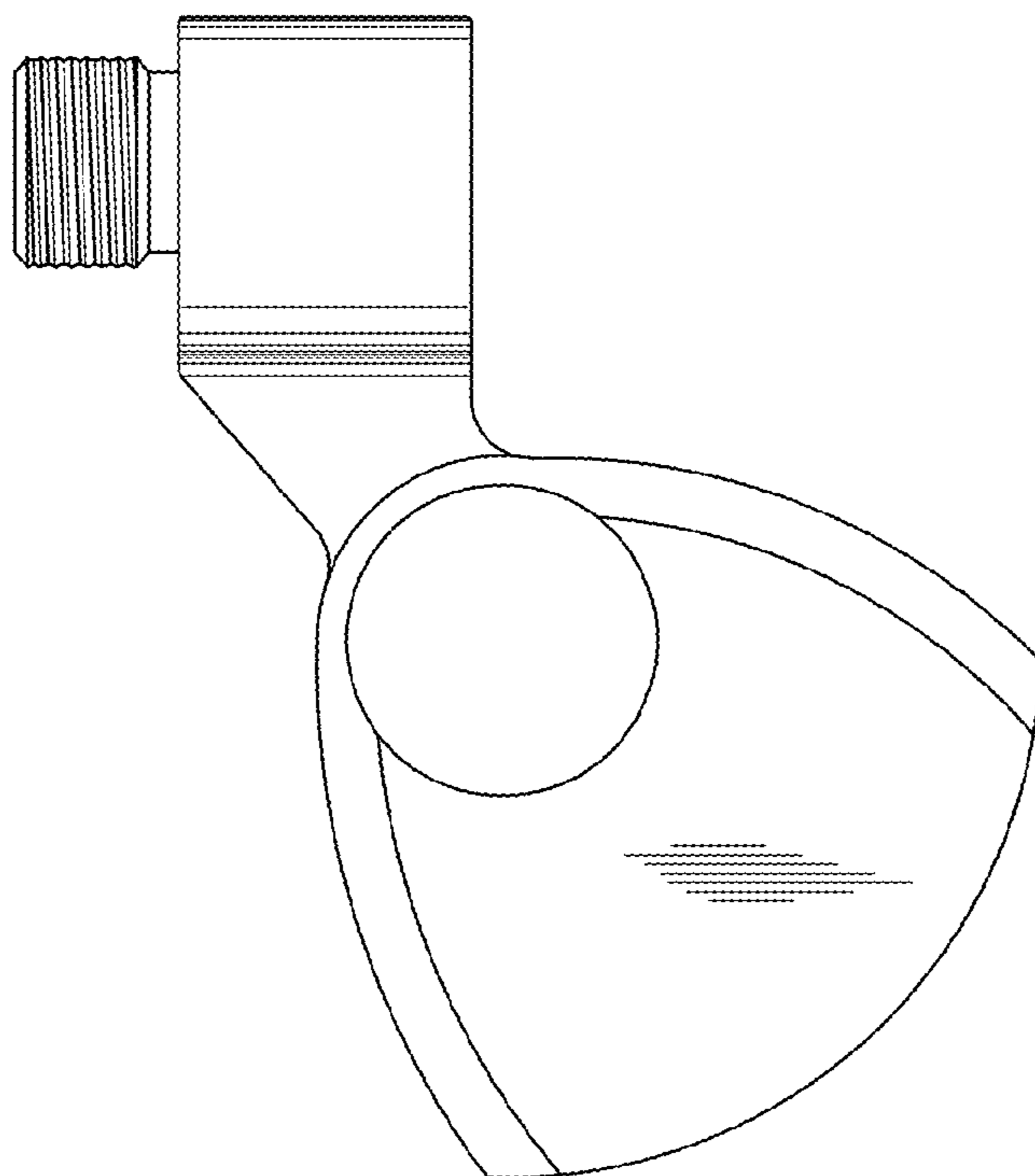




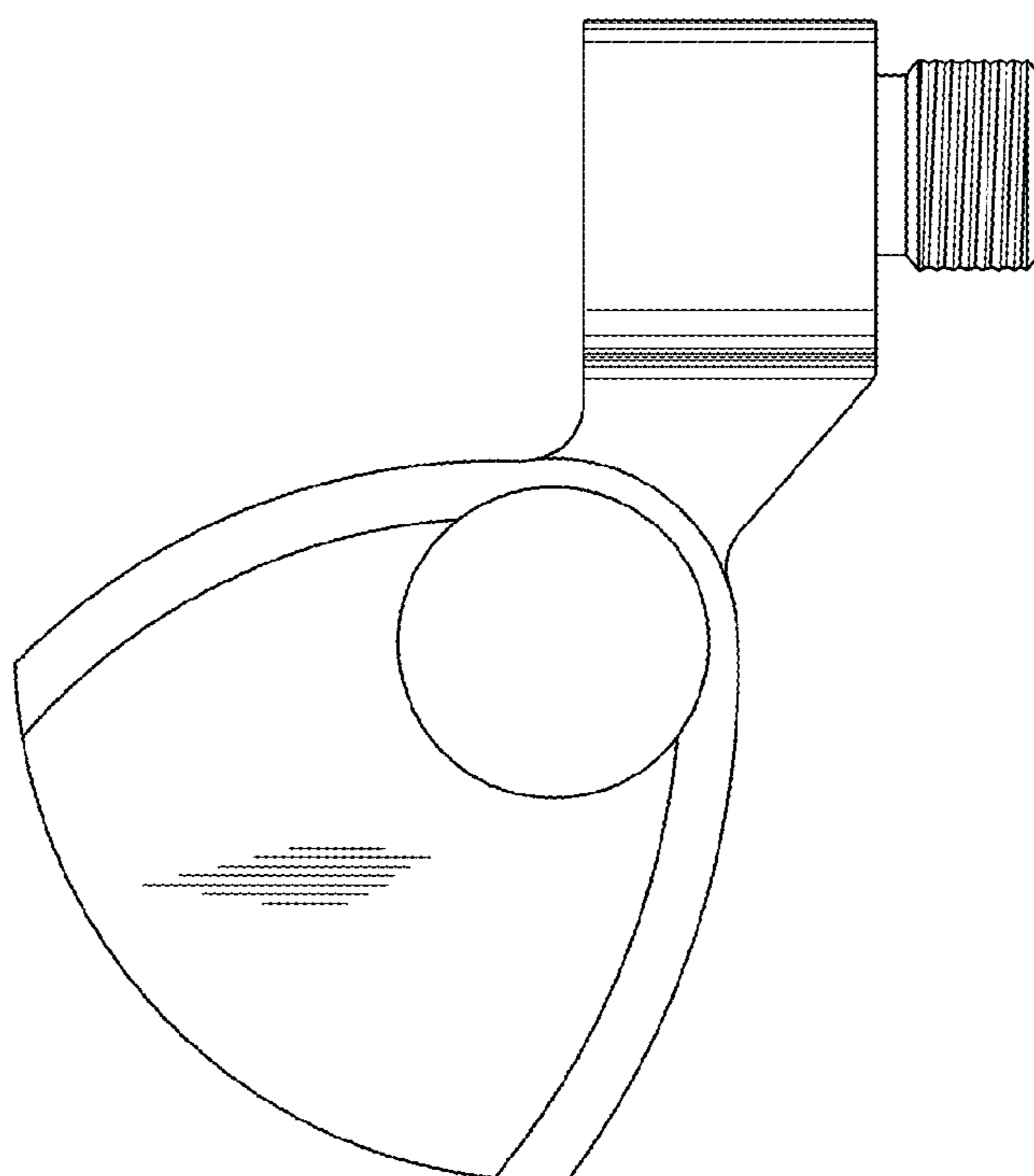
*FIG. 1*



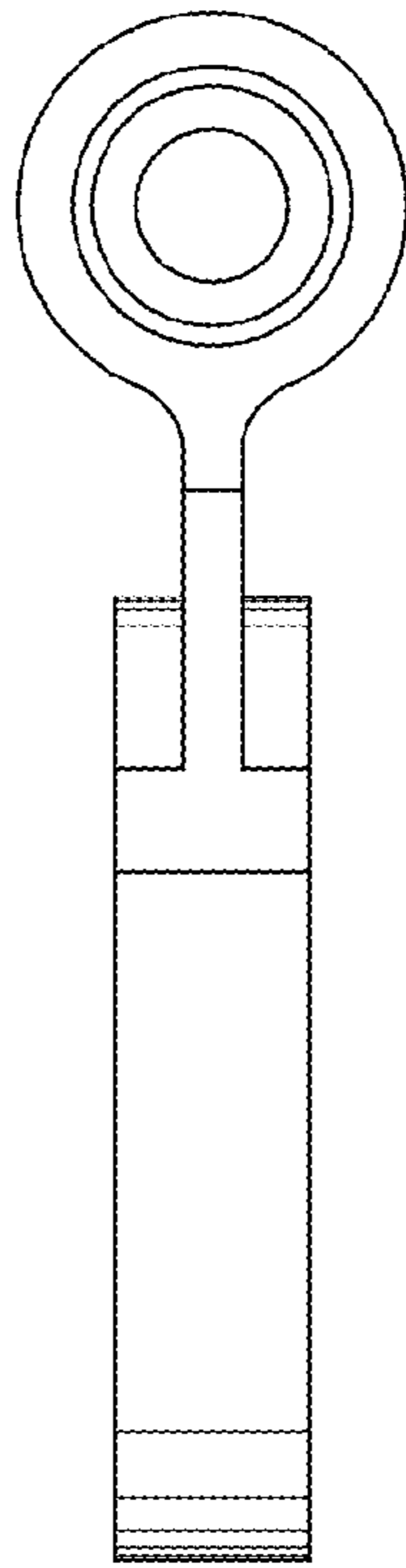
*FIG. 2*



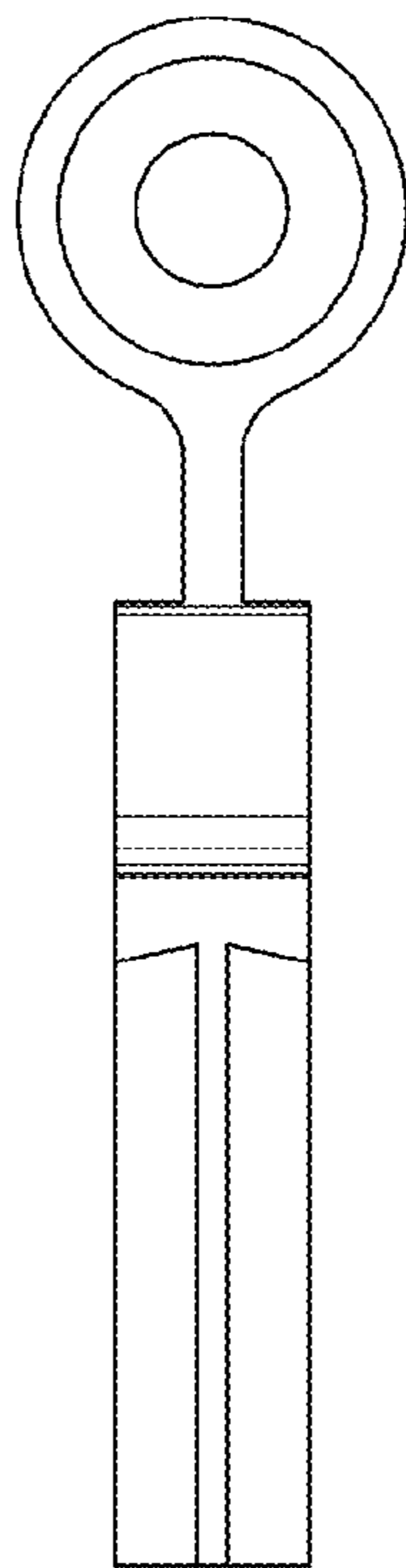
*FIG. 3*



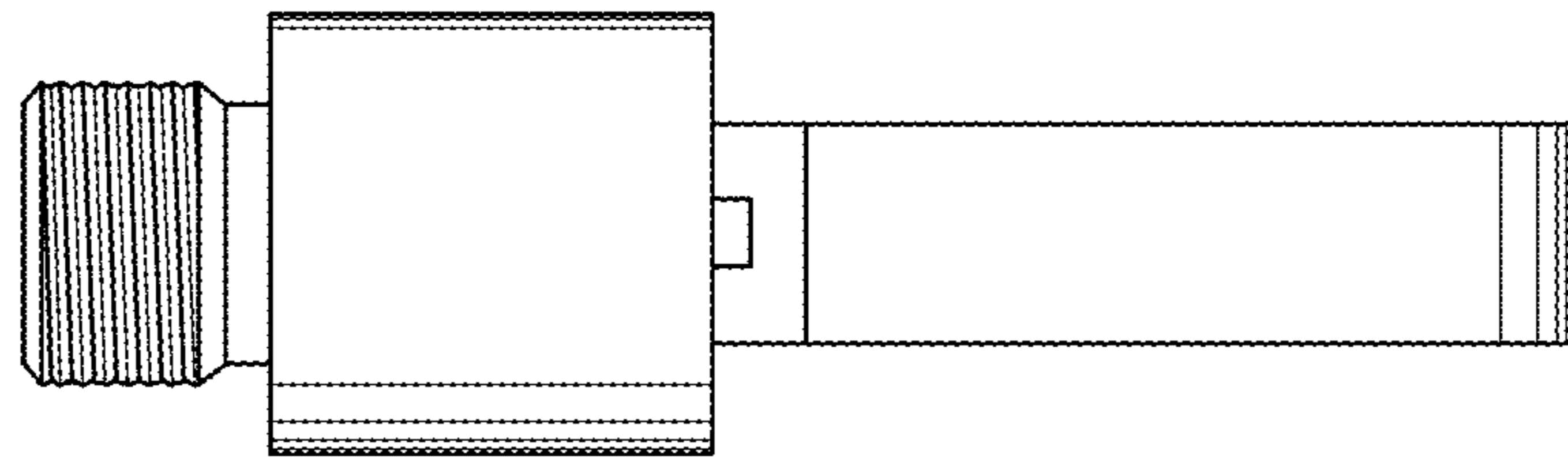
*FIG. 4*



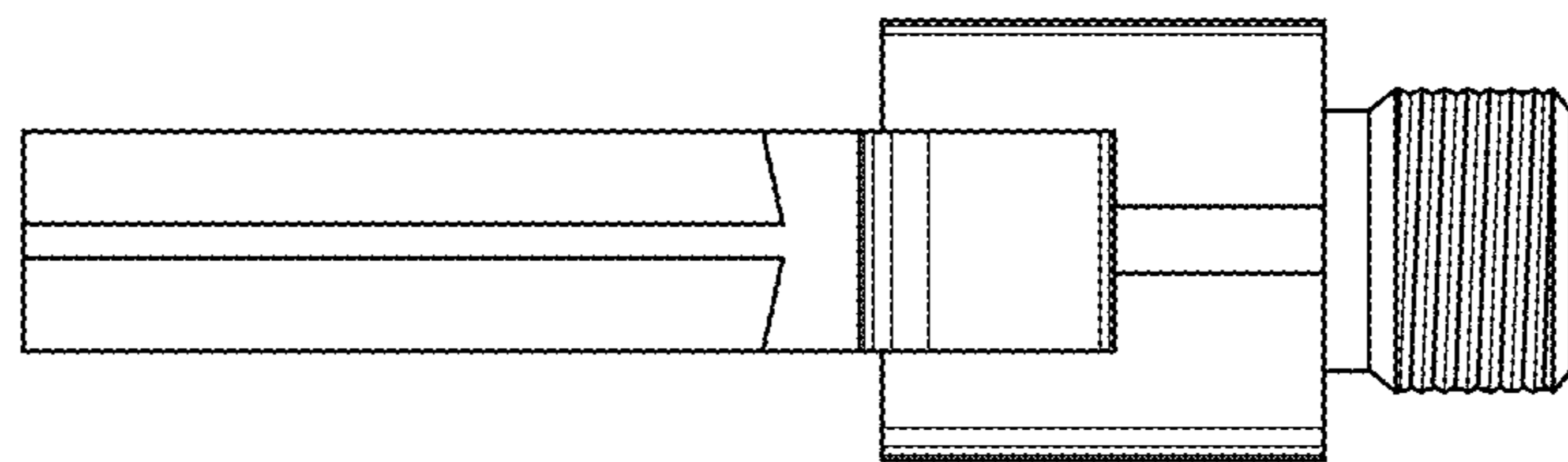
*FIG. 5*



*FIG. 6*



*FIG. 7*



*FIG. 8*