



US00D694719S

(12) **United States Design Patent**  
**Swift et al.**

(10) **Patent No.:** **US D694,719 S**

(45) **Date of Patent:** **\*\* Dec. 3, 2013**

(54) **TWO-BUTTON CONTROLLER FOR A FLEET MANAGEMENT SYSTEM**

(56) **References Cited**

U.S. PATENT DOCUMENTS

(71) Applicants: **Philip W. Swift**, Dayton, OH (US);  
**Gregory S. Breiding**, Upper Arlington, OH (US); **Sergio S. de Oliveira**, Troy, OH (US); **Gregg E. Hillman**, Sidney, OH (US); **Rodrigo Colin**, New Bremen, OH (US)

D276,247	S	*	11/1984	Kim	.....	D14/399
D330,012	S	*	10/1992	Takahashi et al.	.....	D13/162
D346,152	S	*	4/1994	Zaugg	.....	D13/168
D373,998	S	*	9/1996	Tutt et al.	.....	D13/168
D405,424	S	*	2/1999	Winkler et al.	.....	D13/168
D548,196	S	*	8/2007	Bonnaud	.....	D13/168
D603,807	S	*	11/2009	Mehnert et al.	.....	D13/162
D614,585	S	*	4/2010	Kuroda et al.	.....	D13/162
2008/0154712	A1	*	6/2008	Wellman	.....	705/11
2011/0040440	A1	*	2/2011	de Oliveira et al.	.....	701/30
2011/0118903	A1	*	5/2011	Kramer et al.	.....	701/2
2012/0046809	A1	*	2/2012	Wellman	.....	701/2

(72) Inventors: **Philip W. Swift**, Dayton, OH (US);  
**Gregory S. Breiding**, Upper Arlington, OH (US); **Sergio S. de Oliveira**, Troy, OH (US); **Gregg E. Hillman**, Sidney, OH (US); **Rodrigo Colin**, New Bremen, OH (US)

\* cited by examiner

*Primary Examiner* — Selina Sikder

(74) *Attorney, Agent, or Firm* — Stevens & Showalter LLP

(73) Assignee: **Crown Equipment Corporation**, New Bremen, OH (US)

(57) **CLAIM**

The ornamental design for a two-button controller for a fleet management system, as shown and described.

(\*\*) Term: **14 Years**

**DESCRIPTION**

(21) Appl. No.: **29/437,154**

FIG. 1 is a perspective view of the two-button controller having a front cover taken from the top, right front thereof; FIG. 2 is a front elevational view thereof; FIG. 3 is a rear elevational view thereof; FIG. 4 is a left side elevational view thereof; FIG. 5 is a right side elevational view thereof; FIG. 6 is a top plan view thereof; FIG. 7 is a bottom plan view thereof; and, FIG. 8 is a perspective view of the two-button controller of FIG. 1 with the front cover removed.

(22) Filed: **Nov. 14, 2012**

(51) **LOC (9) Cl.** ..... **14-03**

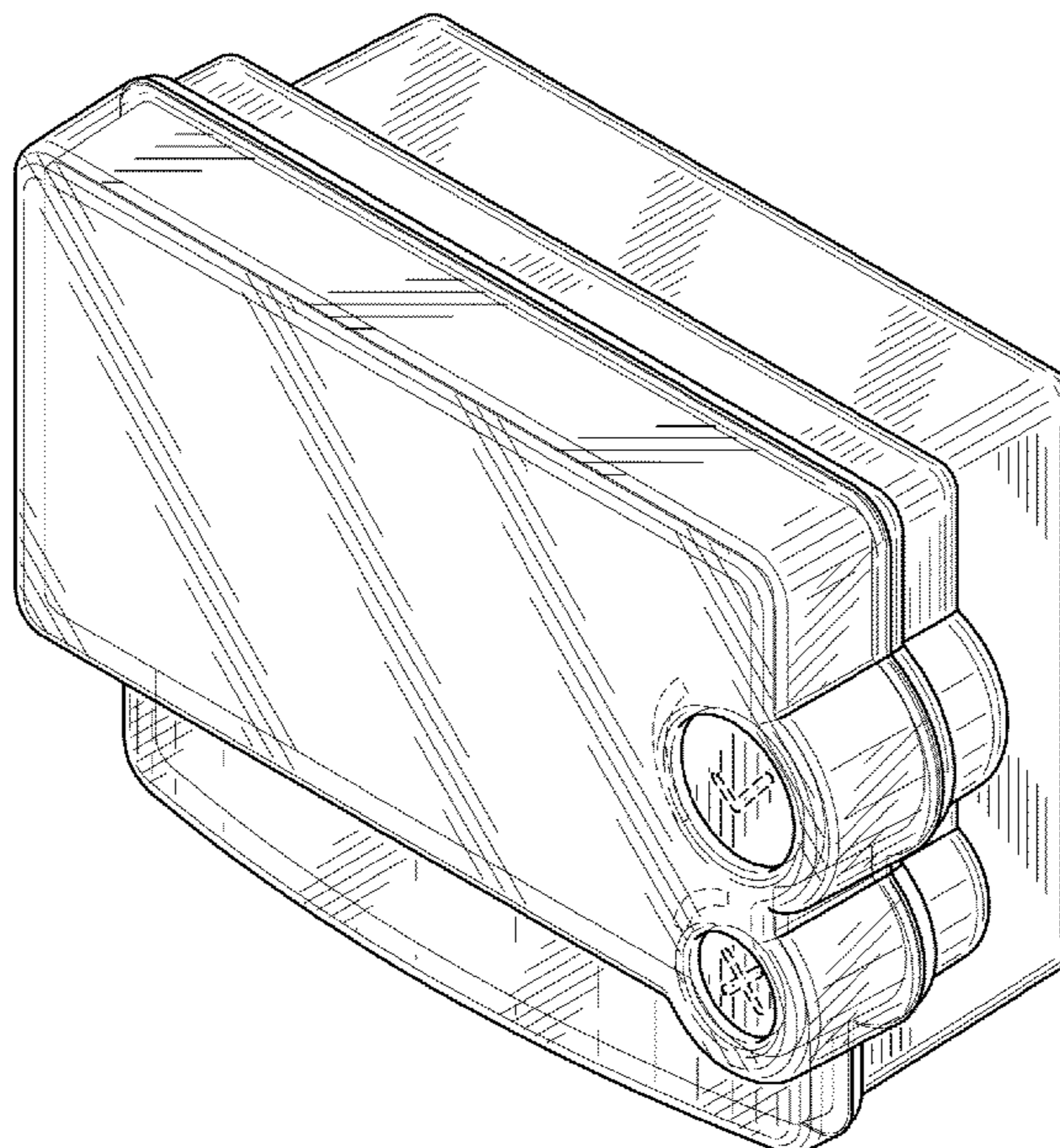
The broken line showings in the figures are for illustrative purposes only and form no part of the claimed design.

(52) **U.S. Cl.**  
USPC ..... **D13/168**

(58) **Field of Classification Search**  
USPC ..... D13/162, 168, 171; D14/218; D15/28;  
D34/28, 34, 35; 340/4.3, 4.42, 12.22,  
340/12.23, 12.24, 12.29, 12.3, 13.2, 13.21,  
340/13.24; 341/176; 700/17, 65, 83; 701/2

See application file for complete search history.

**1 Claim, 5 Drawing Sheets**



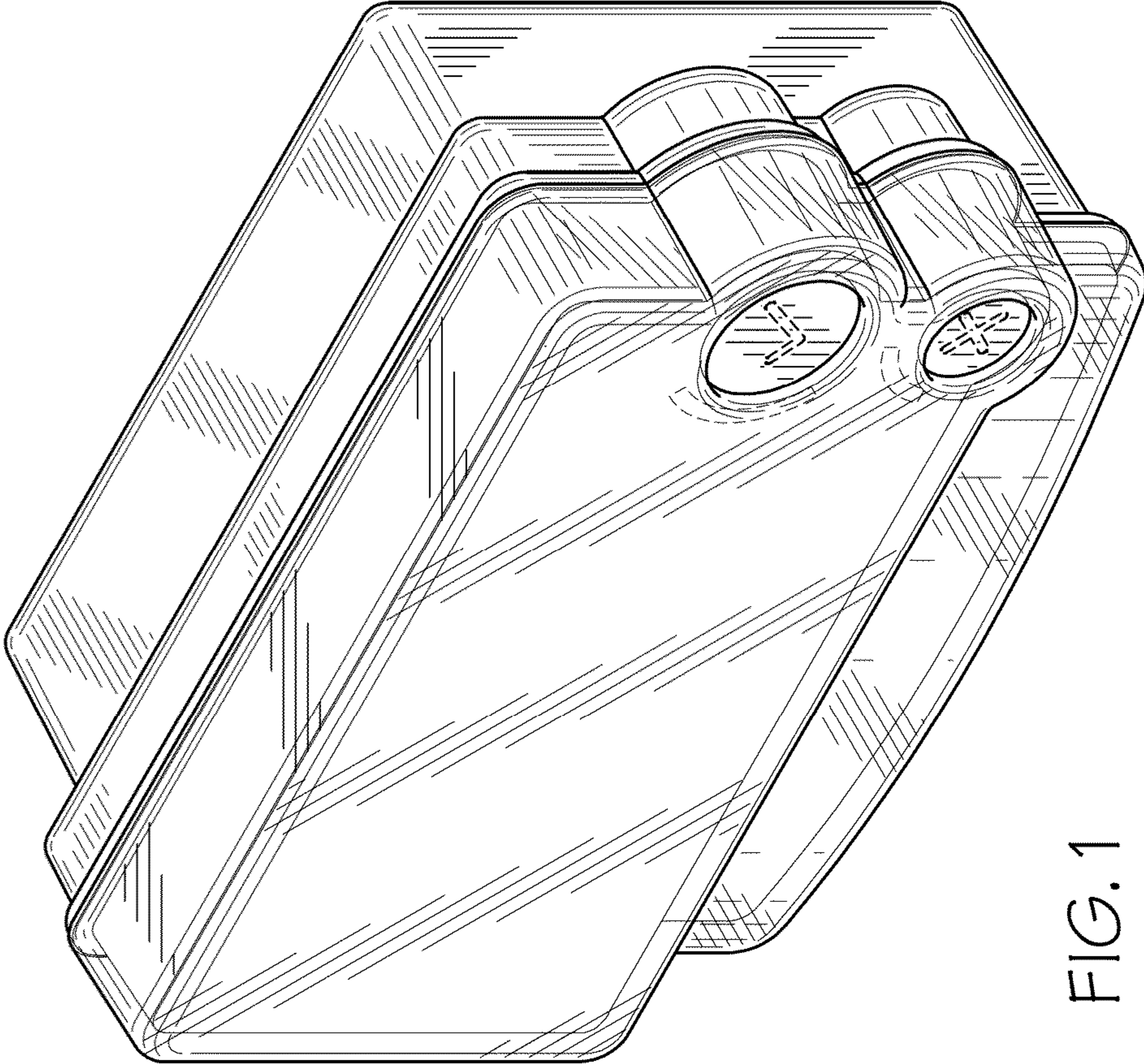


FIG. 1



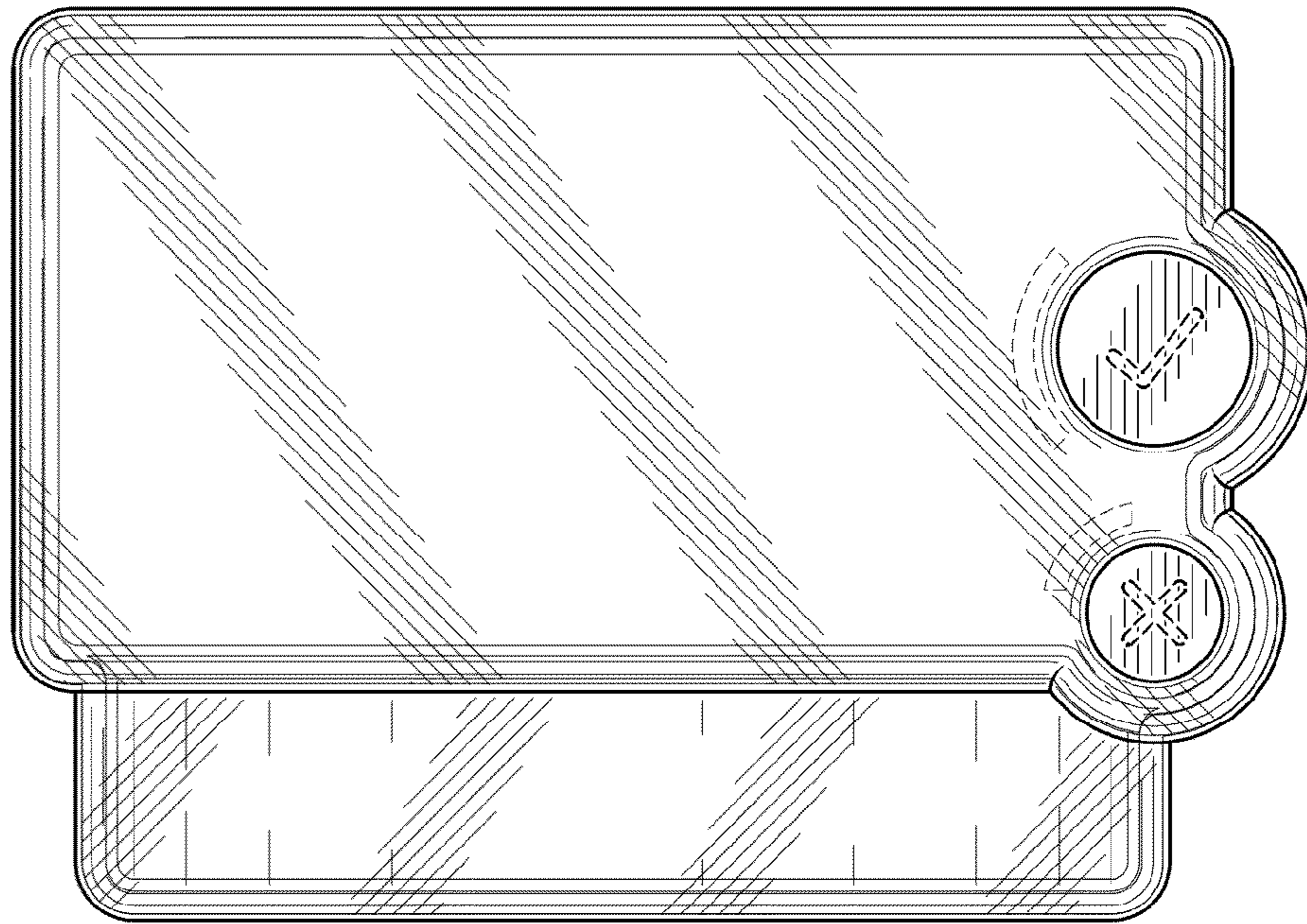


FIG. 2

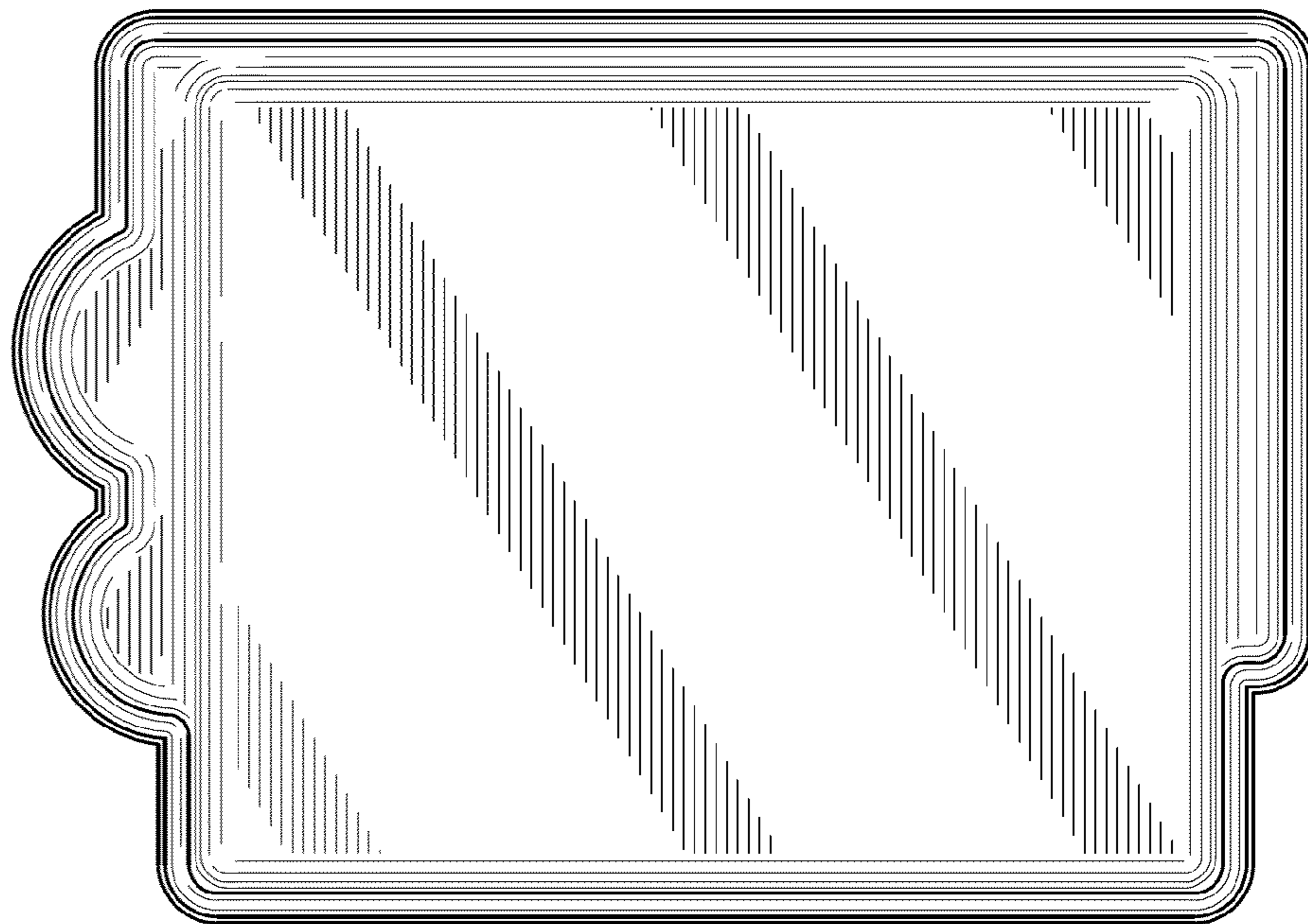


FIG. 3

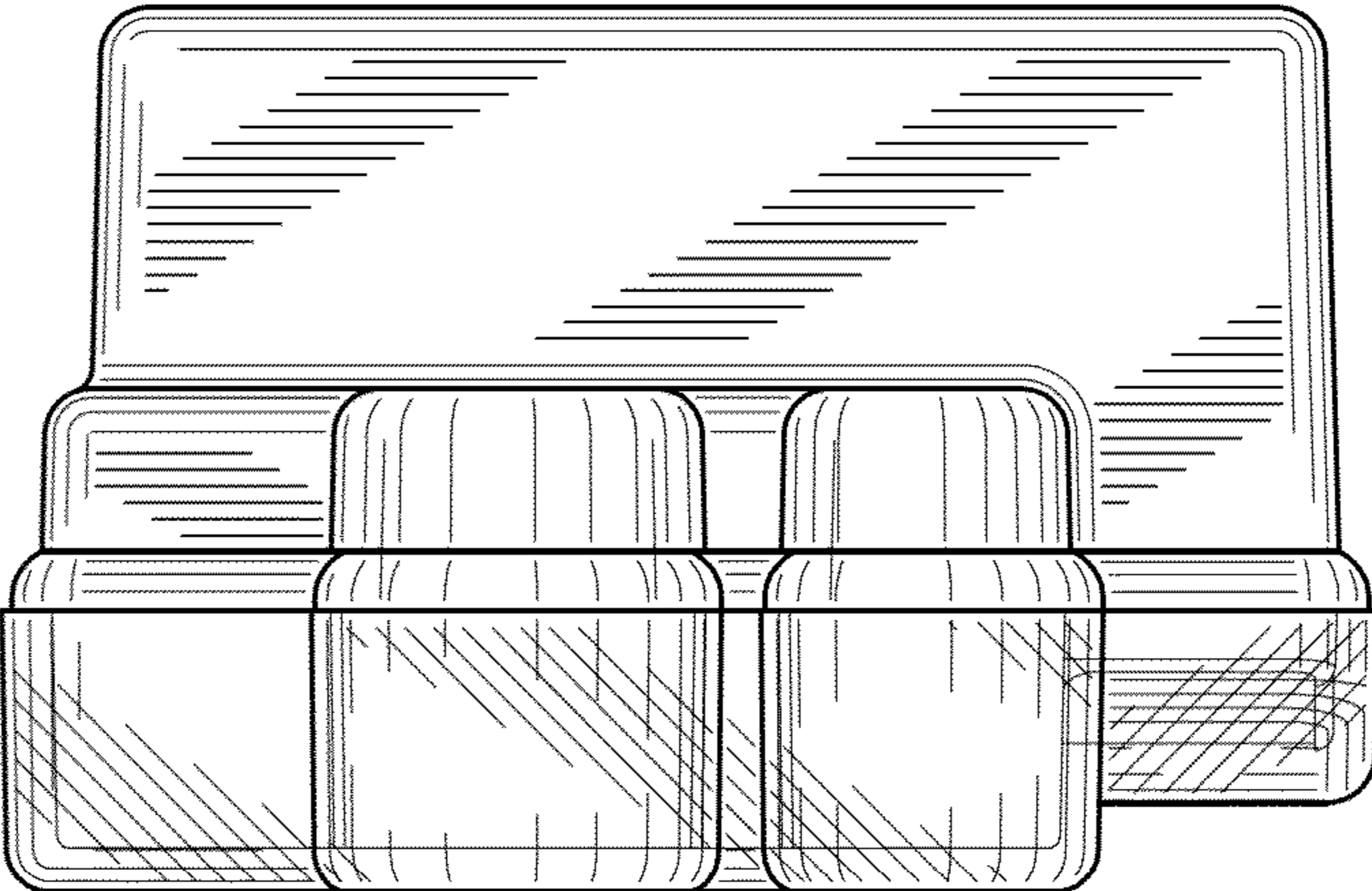


FIG. 5

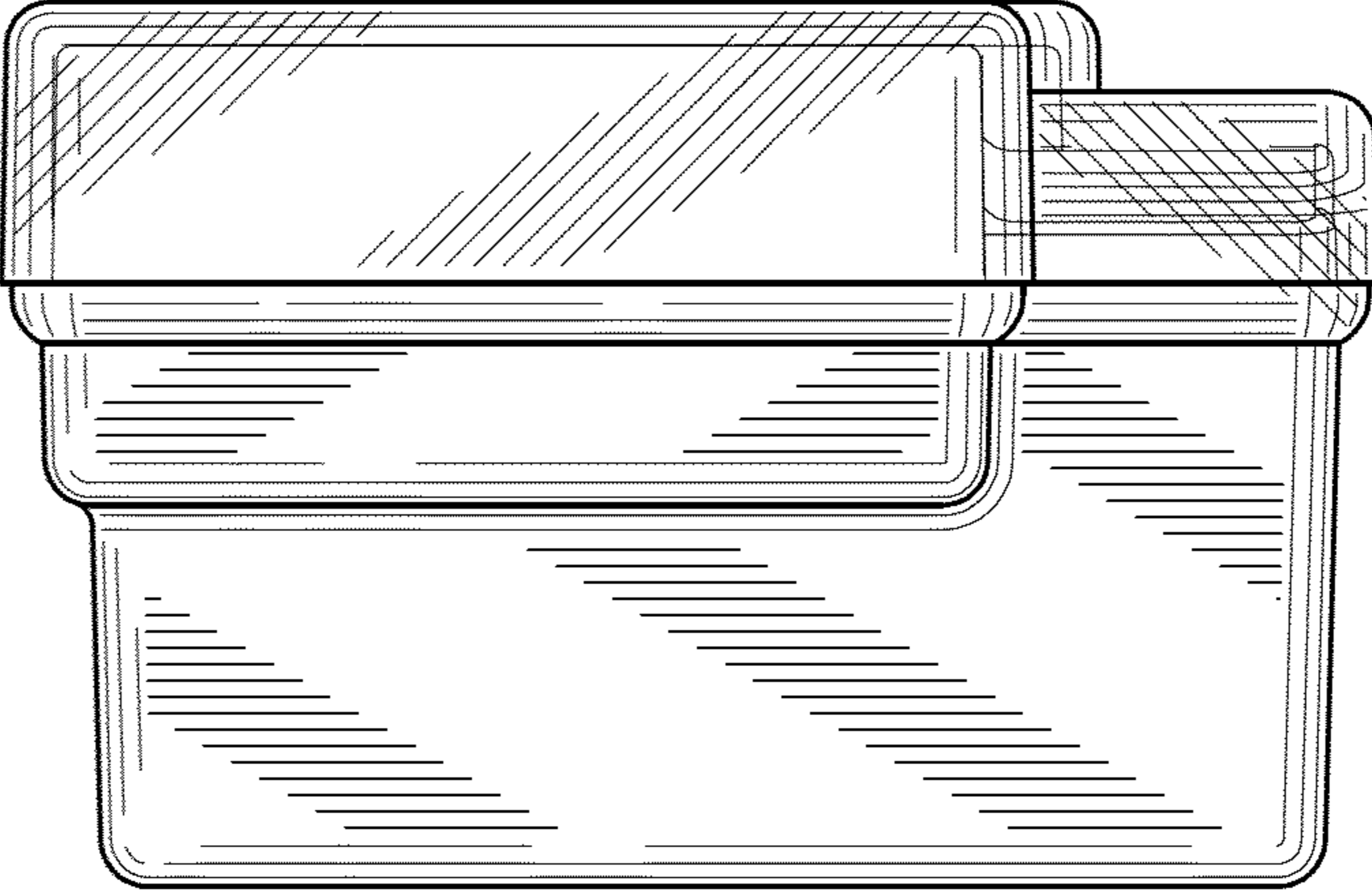


FIG. 4

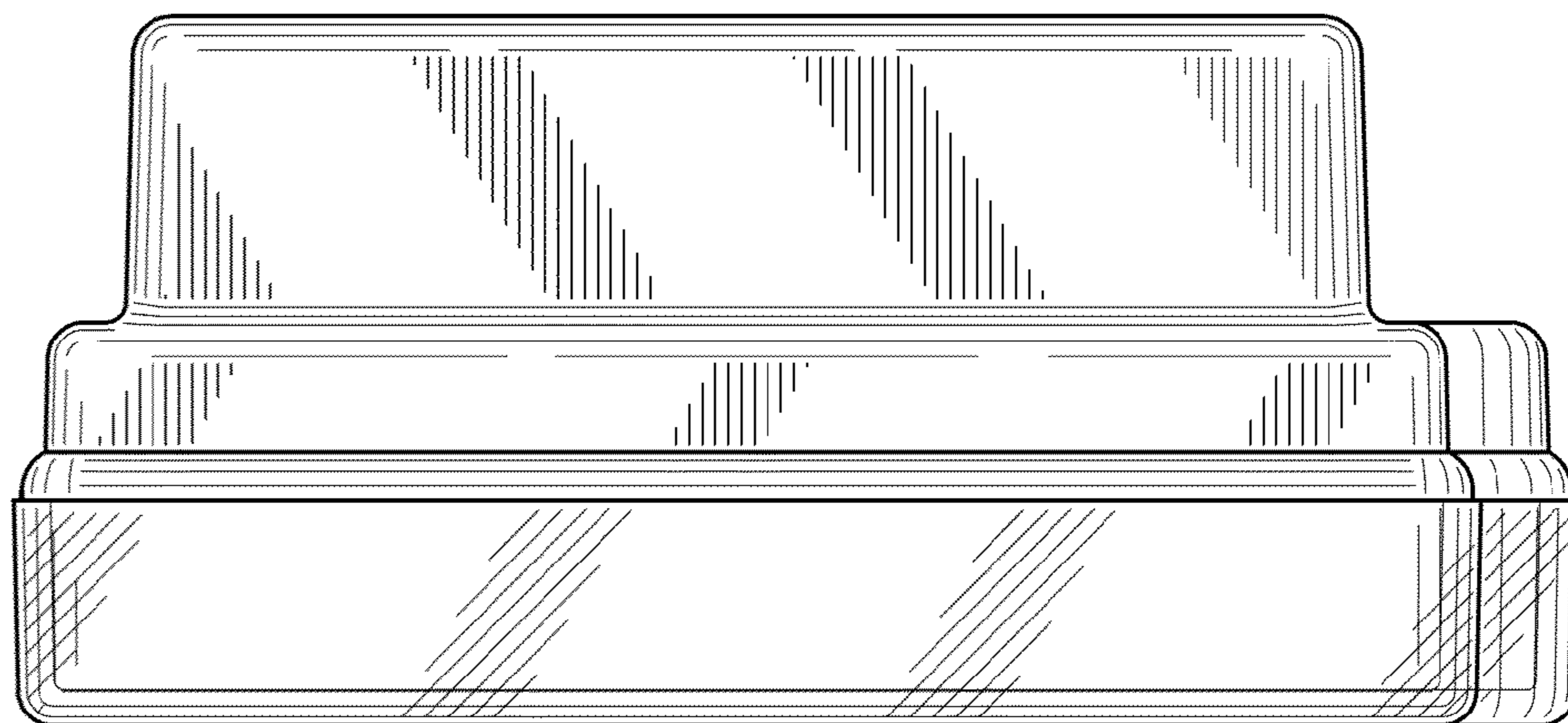


FIG. 6

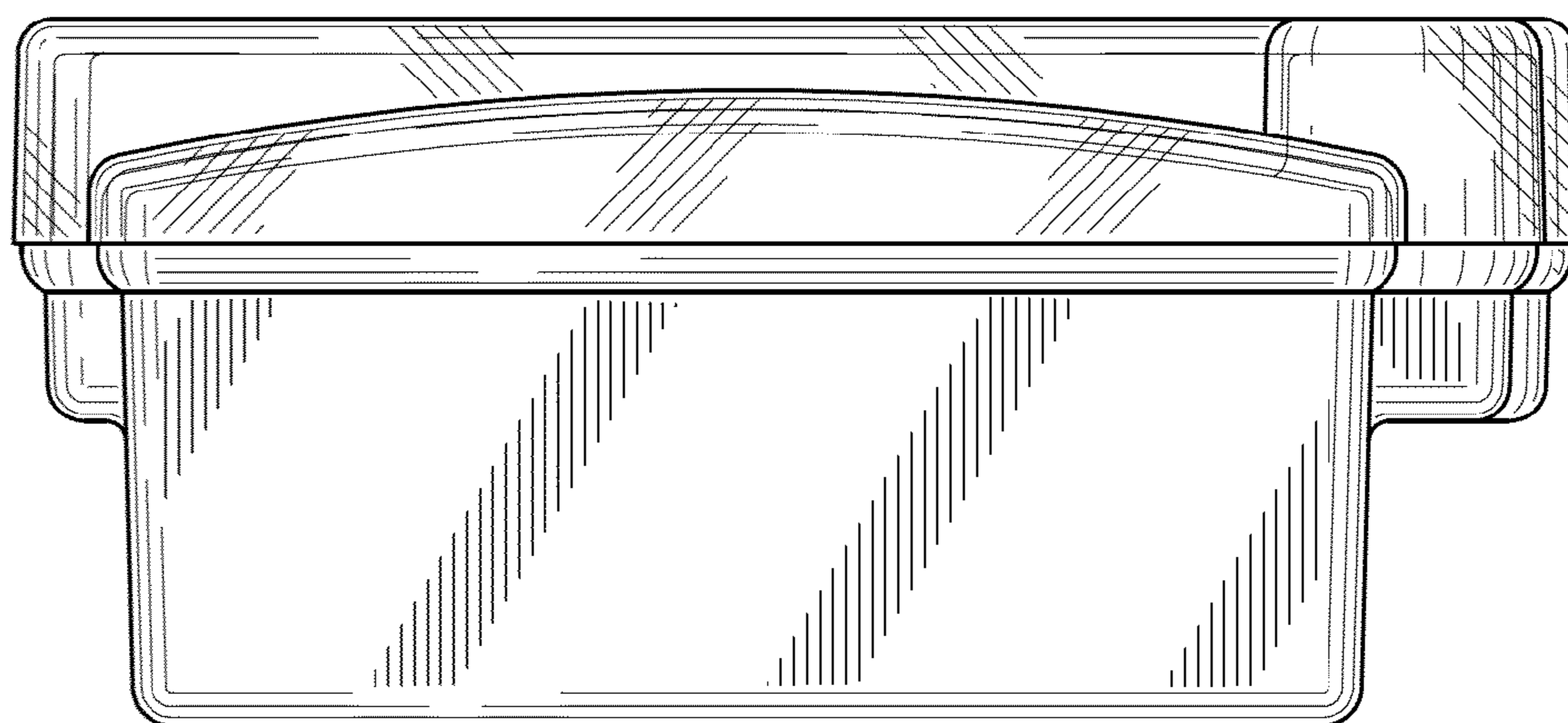


FIG. 7



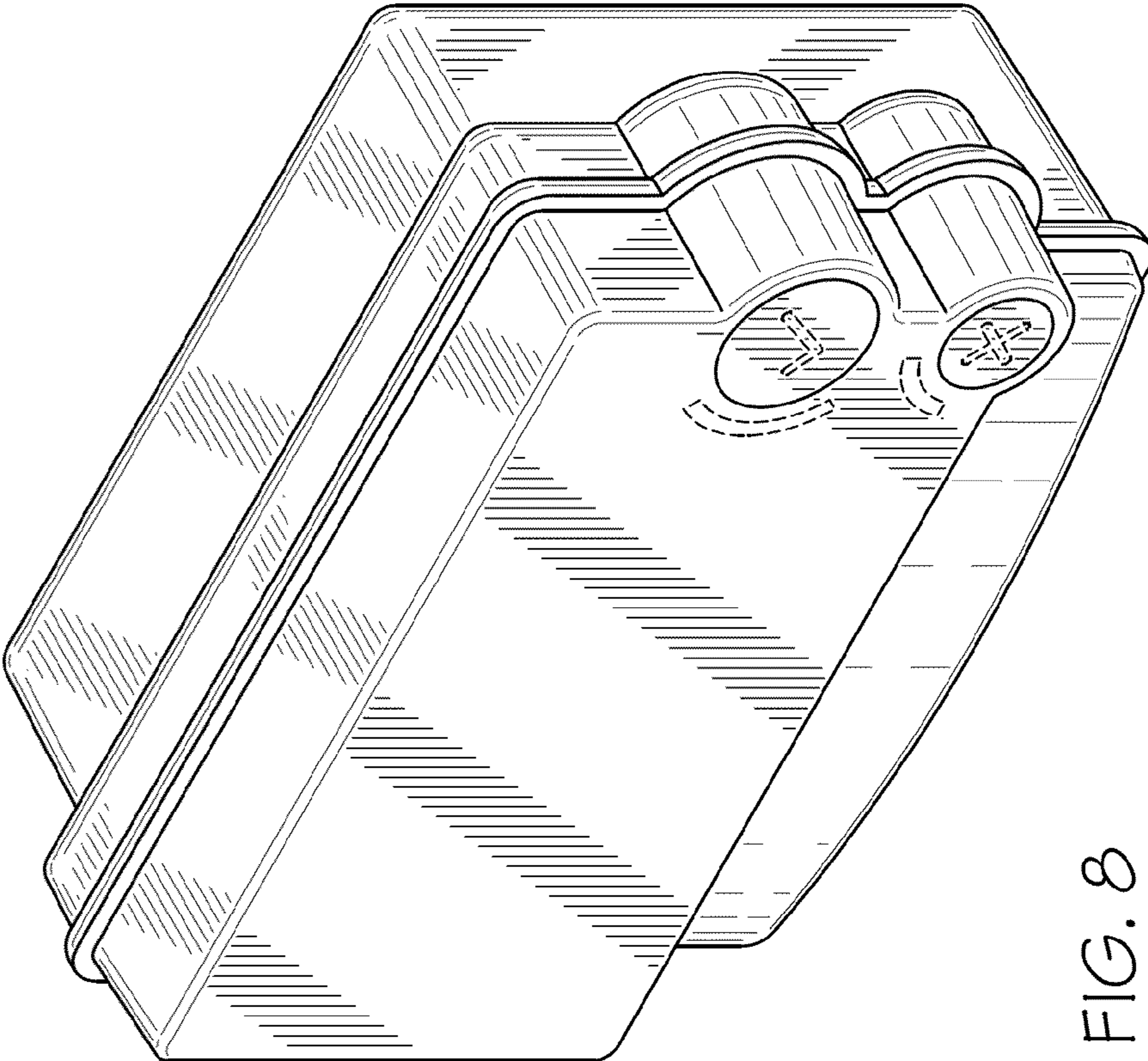


FIG. 8