



US00D694718S

(12) **United States Design Patent**
Baumgartner et al.

(10) **Patent No.:** **US D694,718 S**

(45) **Date of Patent:** **** *Dec. 3, 2013**

(54) **ROOM CONTROL UNIT**

(75) Inventors: **Klaus Baumgartner**, Sindelfingen (DE);
Lars Gerold, Stuttgart (DE)

(73) Assignee: **Siemens Aktiengesellschaft**, Munich
(DE)

(*) Notice: This patent is subject to a terminal disclaimer.

(**) Term: **14 Years**

(21) Appl. No.: **29/425,469**

(22) Filed: **Jun. 22, 2012**

(30) **Foreign Application Priority Data**

Dec. 22, 2011 (CN) 2011 3 0494203

(51) **LOC (9) Cl.** **14-03**

(52) **U.S. Cl.**
USPC **D13/168**

(58) **Field of Classification Search**
USPC D13/168; D10/49, 50, 104.1, 106.1;
D14/203.7, 341, 496; 165/238;
315/158, 295; 340/4.3, 4.42, 12.22,
340/12.23, 12.24, 12.29, 12.3, 13.2, 13.21,
340/13.24; 341/176; 236/49.3, 46 R, 51, 1 C,
236/94; 348/734; 455/352; 700/17, 65, 83,
700/86, 276, 277

See application file for complete search history.

(56) **References Cited**

U.S. PATENT DOCUMENTS

D257,959 S * 1/1981 Chin et al. D10/50
D436,579 S * 1/2001 Mayo et al. D13/162

D512,691 S * 12/2005 Hisatsune D13/164
7,156,318 B1 * 1/2007 Rosen 236/94
D536,671 S * 2/2007 Spira D13/164
D537,417 S * 2/2007 Dukerschein et al. D13/164
D566,661 S * 4/2008 Ludwig et al. D13/162
D594,422 S * 6/2009 Nichols et al. D13/162
D603,343 S * 11/2009 Mehnert et al. D13/162
D642,992 S * 8/2011 Sasaki et al. D13/164
D648,642 S * 11/2011 Wallaert et al. D10/50
D651,530 S * 1/2012 Baumgartner et al. D10/50
D678,218 S * 3/2013 Sheen D13/168
D678,219 S * 3/2013 Higashijima et al. D13/168

* cited by examiner

Primary Examiner — Selina Sikder

(74) *Attorney, Agent, or Firm* — Staas & Halsey LLP

(57) **CLAIM**

The ornamental design for a room control unit, as shown and described.

DESCRIPTION

FIG. 1 is a front view of a room control unit showing our new design;

FIG. 2 is a back view thereof;

FIG. 3 is a top view thereof;

FIG. 4 is a bottom view thereof;

FIG. 5 is a right side view thereof;

FIG. 6 is a left side view thereof; and,

FIG. 7 is a perspective view of the top, front and left side of the room control unit.

The room control unit controls heating, ventilation, air conditioning, and illuminating applications in a room. The side-walls are shaded to show a reflective surface.

The broken line showing of the room control unit is for the purpose of illustrating environmental structure and forms no part of the claimed design.

1 Claim, 7 Drawing Sheets

(Perspective view)

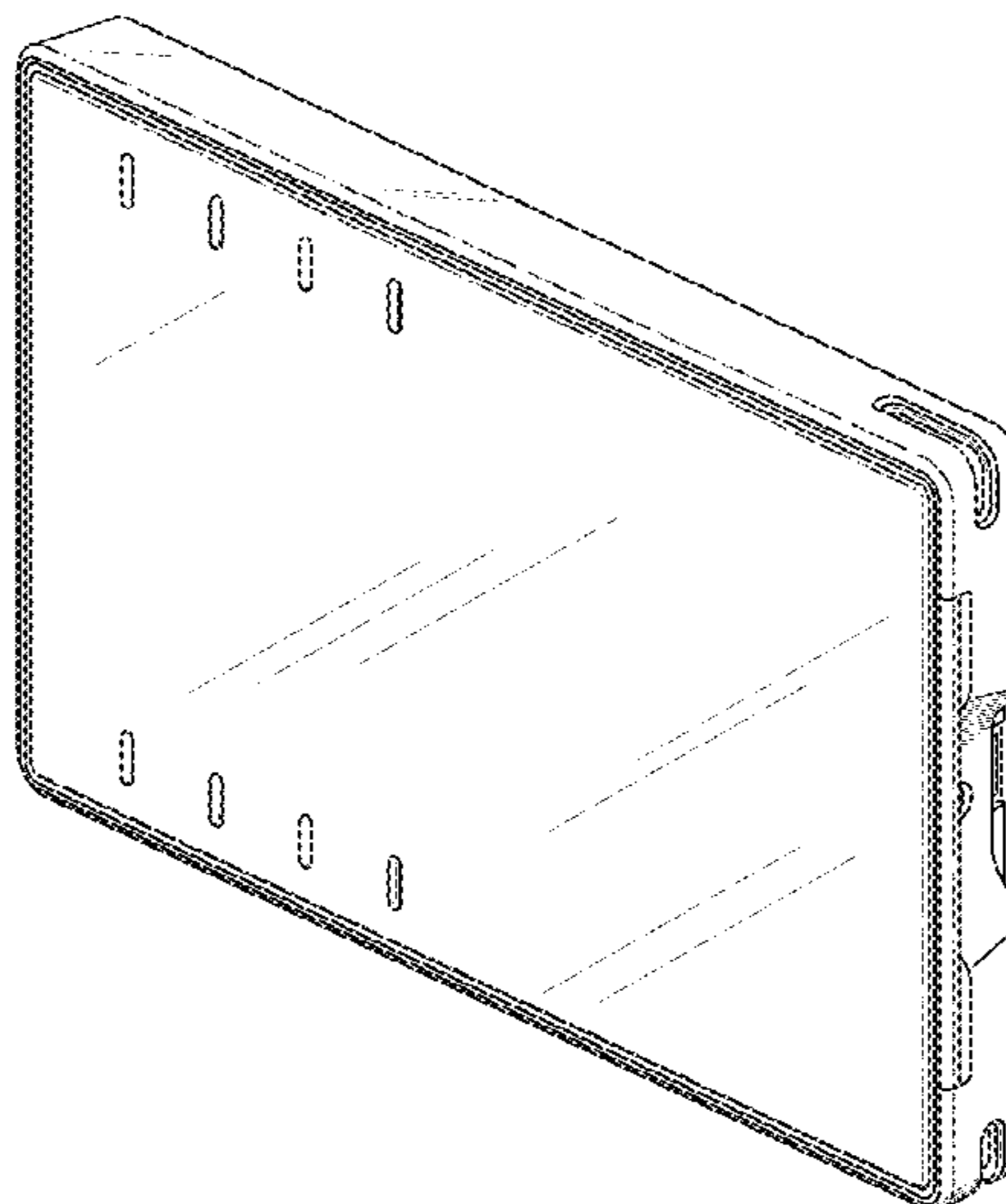


FIG. 1
(Front view)

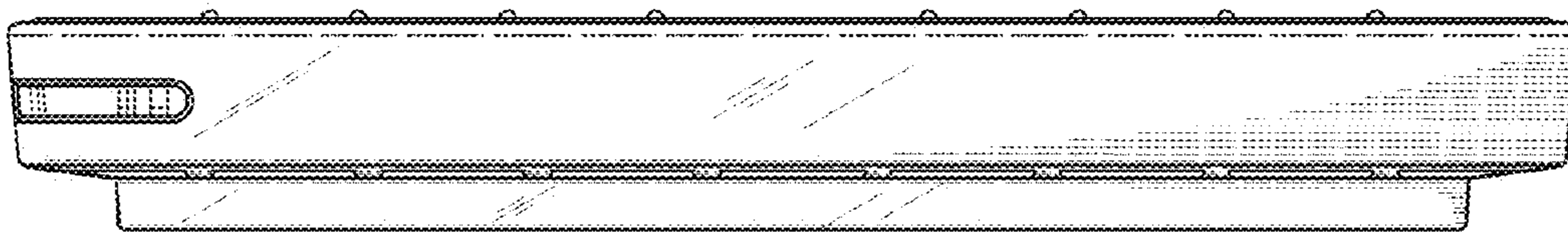


FIG. 2
(Back view)

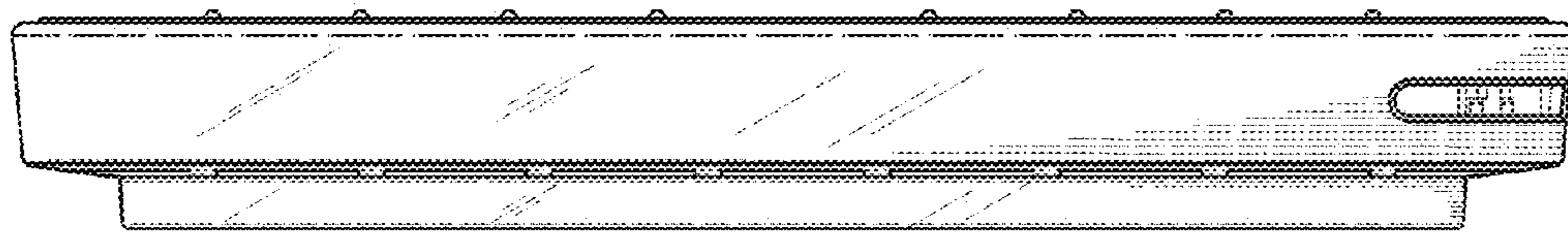


FIG. 3
(Top view)

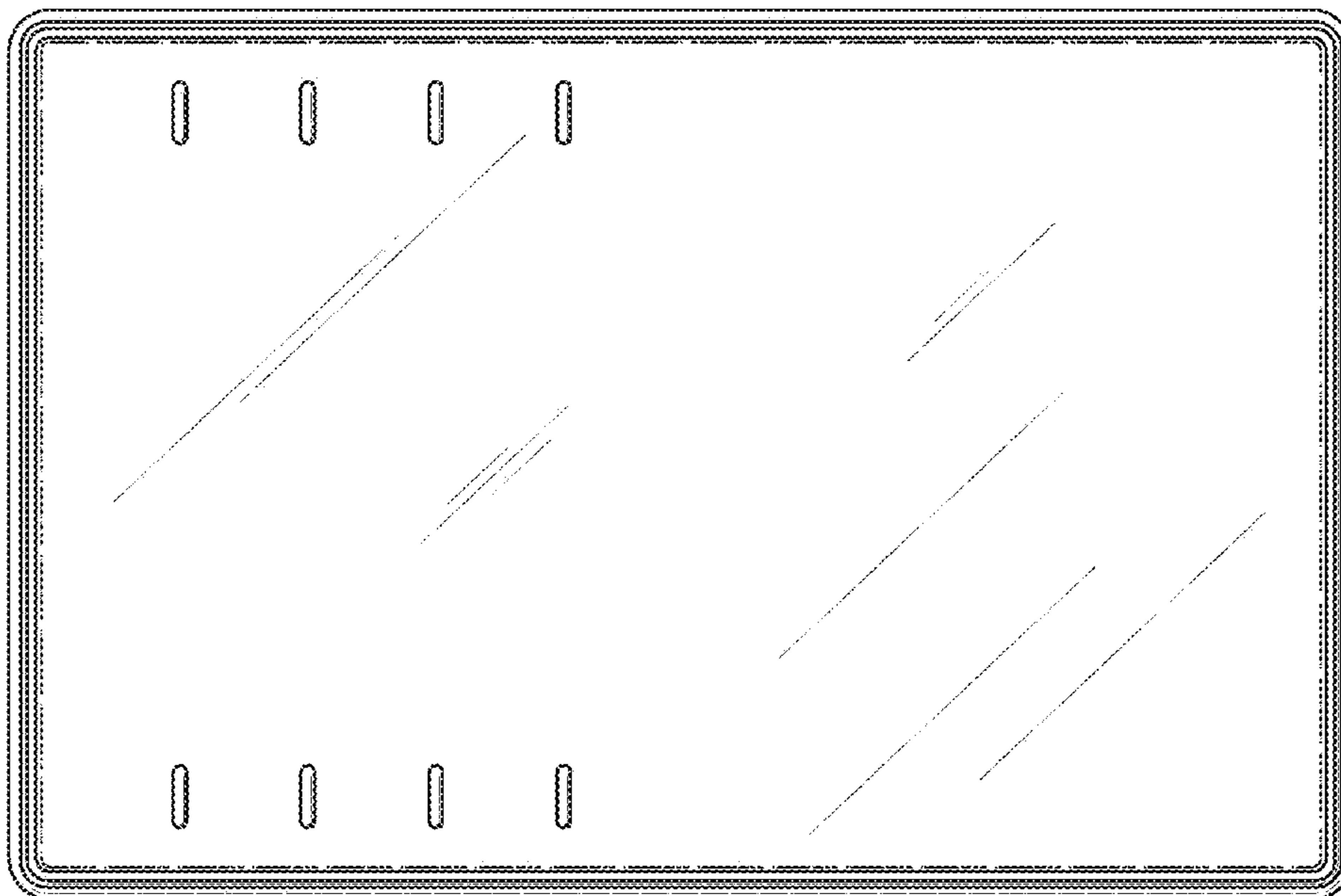


FIG. 4
(Bottom view)

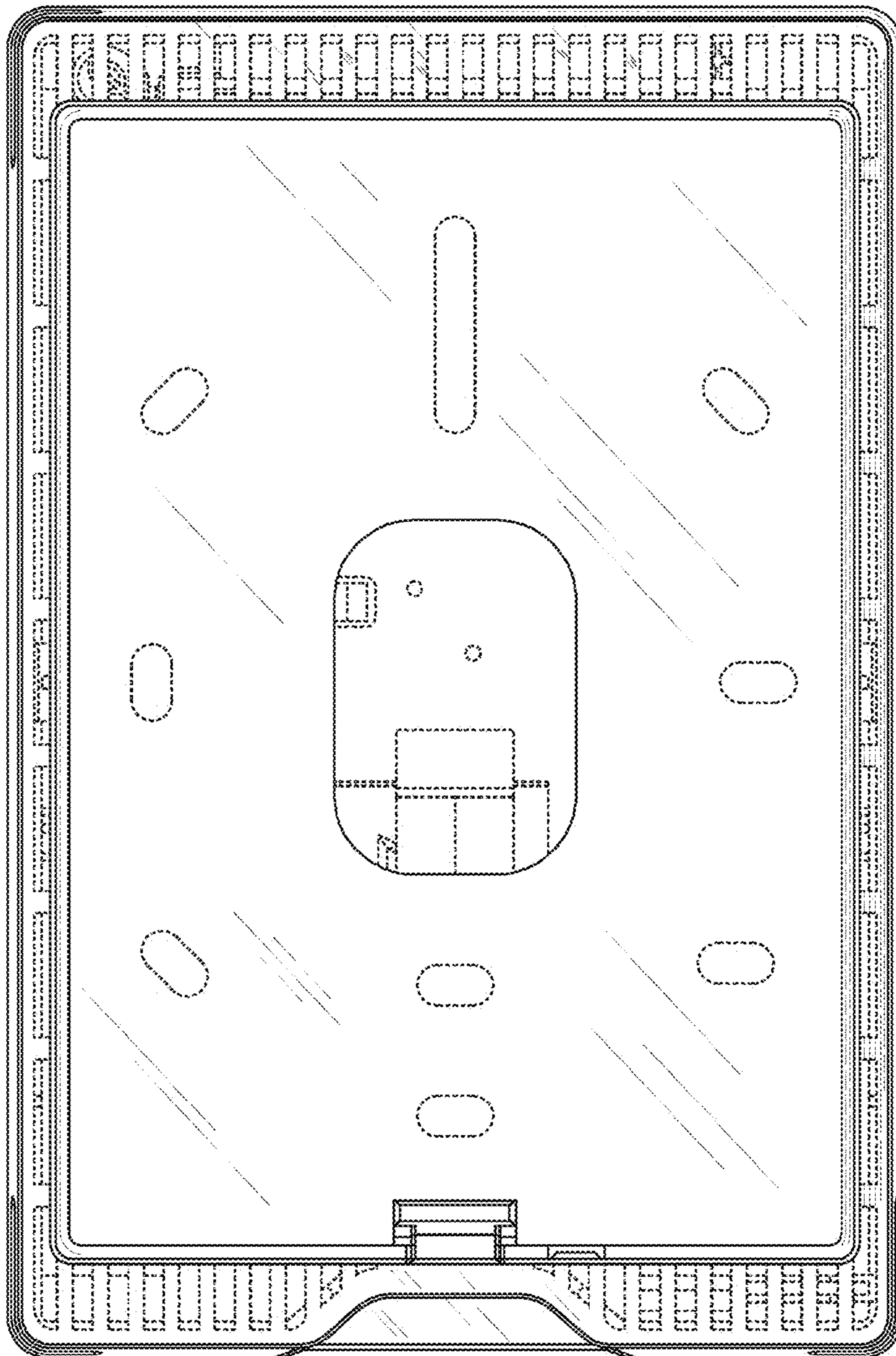


FIG. 5
(Side view from the right)

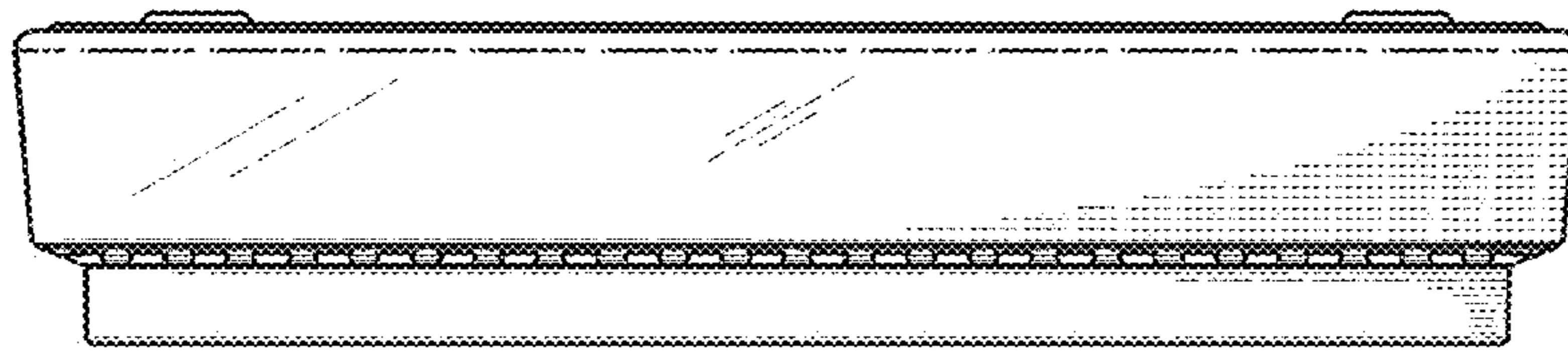


FIG. 6
(Side view from the left)

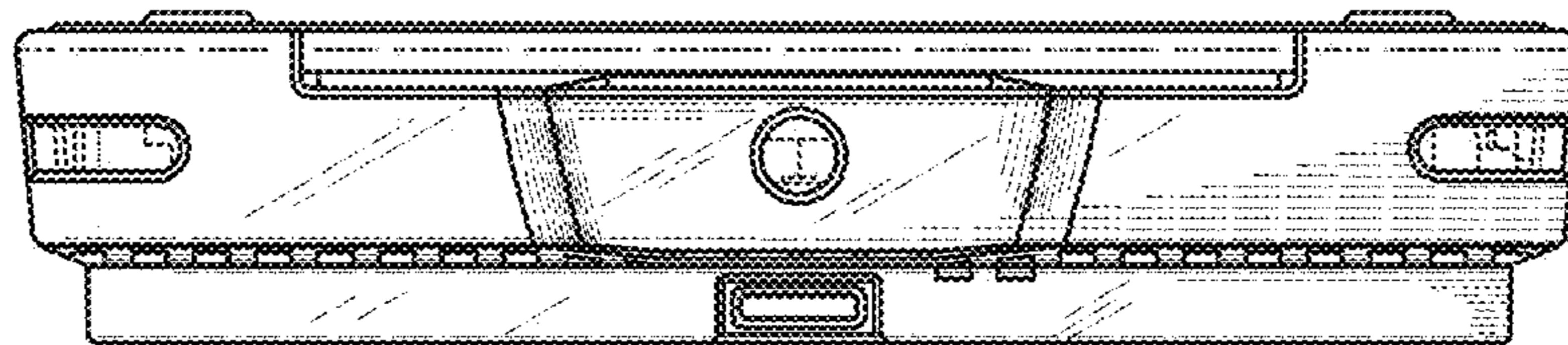


FIG. 7
(Perspective view)

