



US00D694711S

(12) **United States Design Patent**
Arioka et al.

(10) **Patent No.:** **US D694,711 S**
(45) **Date of Patent:** **** Dec. 3, 2013**

(54) **INSULATOR FOR VACUUM CIRCUIT BREAKER**

(71) Applicant: **Mitsubishi Electric Corporation**,
Tokyo (JP)
(72) Inventors: **Masahiro Arioka**, Chiyoda-Ku (JP);
Tomotaka Yano, Chiyoda-Ku (JP);
Kyoichi Otsuka, Chiyoda-Ku (JP);
Satoru Yoshida, Chiyoda-Ku (JP);
Taehyun Kim, Chiyoda-Ku (JP); **Koji Sano**,
Chiyoda-Ku (JP); **Yuta Nakayama**, Chiyoda-Ku (JP)

(73) Assignee: **Mitsubishi Electric Corporation**,
Tokyo (JP)

(**) Term: **14 Years**

(21) Appl. No.: **29/432,790**

(22) Filed: **Sep. 20, 2012**

(30) **Foreign Application Priority Data**

Mar. 23, 2012 (JP) 2012-006599

(51) **LOC (9) Cl.** **13-03**

(52) **U.S. Cl.**
USPC **D13/131**

(58) **Field of Classification Search**
USPC D13/129–132, 154–156; D8/354, 356,
D8/363, 364; 174/172–174, 194, 195, 212,
174/35, 66, 188, 138, 176, 35 GC, 138 F
See application file for complete search history.

(56) **References Cited**

U.S. PATENT DOCUMENTS

D10,981 S *	1/1879	Brookfield	D13/130
D14,674 S *	2/1884	Oakman	D13/130
D30,637 S *	4/1899	Converse	D13/130
D31,799 S *	11/1899	Withycombe	D13/130
D34,450 S *	4/1901	Locke	D13/131
3,417,216 A *	12/1968	Smith, Jr.	218/127
6,255,597 B1 *	7/2001	Bowling et al.	174/138 F
6,303,870 B1 *	10/2001	Nazaryan et al.	174/172

* cited by examiner

Primary Examiner — Thomas Johannes

(74) *Attorney, Agent, or Firm* — Sughrue Mion, PLLC

(57) **CLAIM**

The ornamental design for an insulator for vacuum circuit breaker, as shown and described.

DESCRIPTION

FIG. 1 is a front, top and left side perspective view of an insulator for vacuum circuit breaker, showing our new design; FIG. 2 is a front elevational view thereof; FIG. 3 is a left side elevational view thereof; FIG. 4 is a right side elevational view thereof; FIG. 5 is a top plan view thereof; FIG. 6 is a cross-sectional view thereof; taken in the direction of line 6-6 of FIG. 3; and, FIG. 7 is a cross-sectional view thereof; taken in the direction of line 7-7 of FIG. 3.

1 Claim, 7 Drawing Sheets

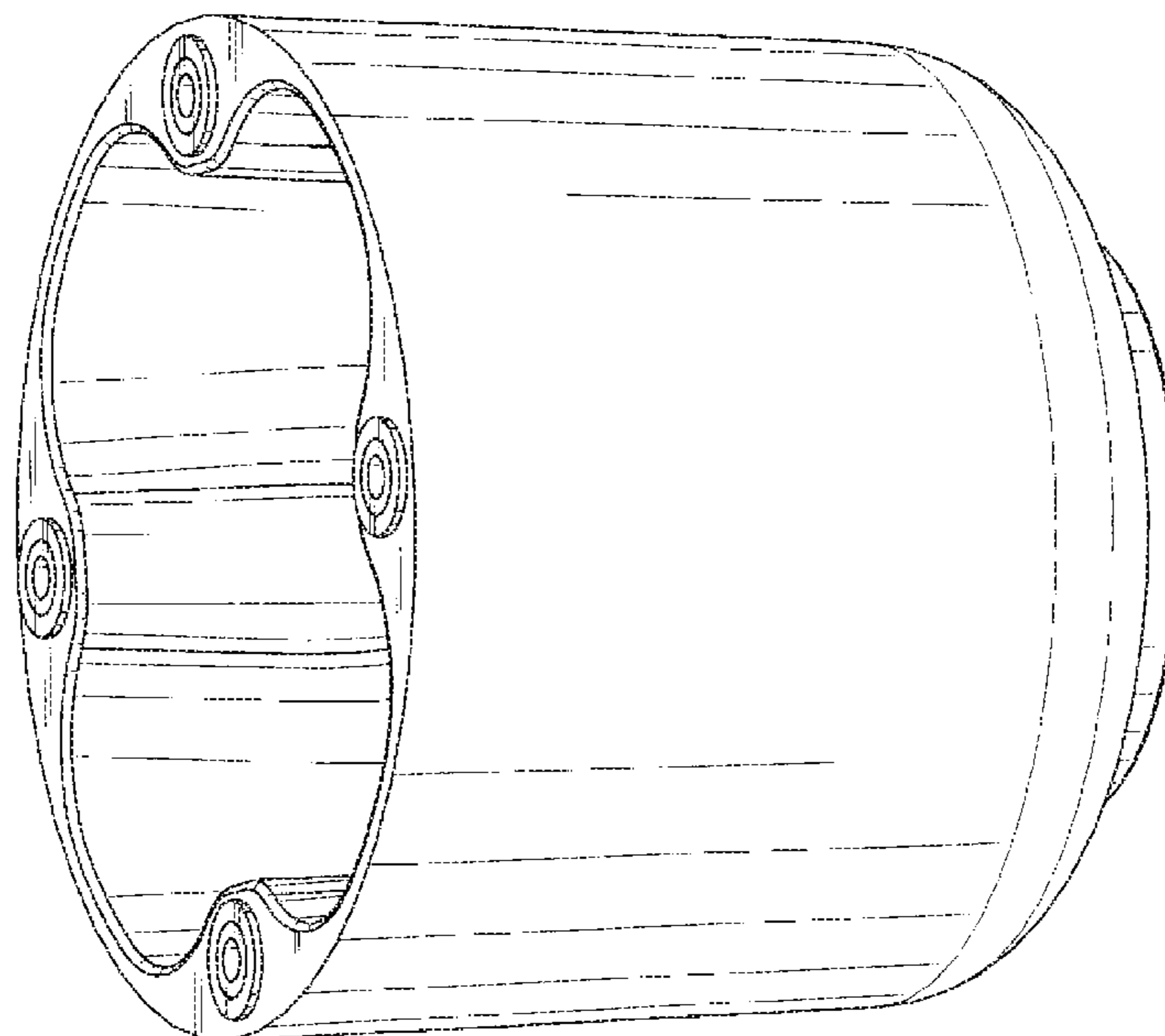


Fig. 1

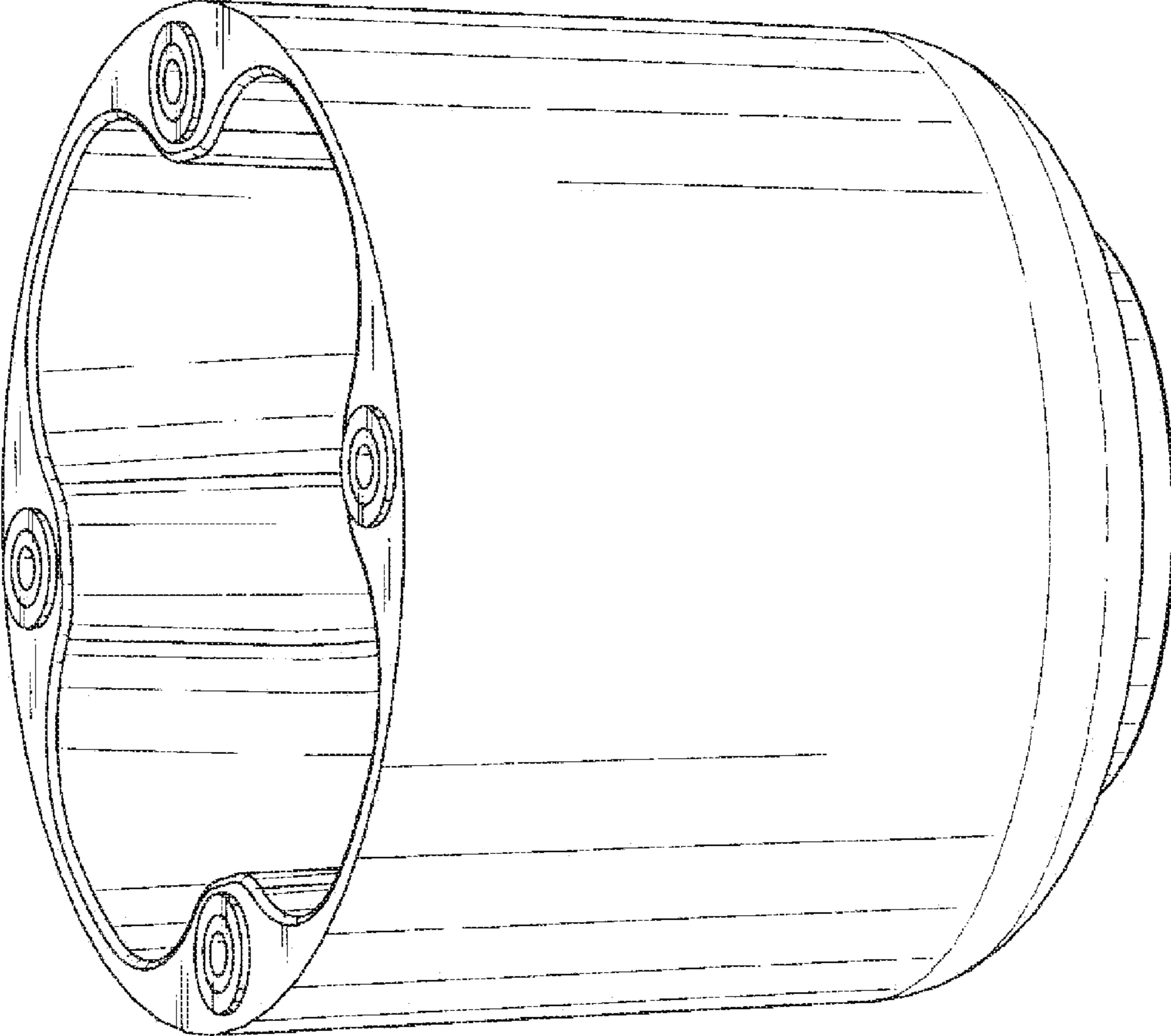


Fig. 2

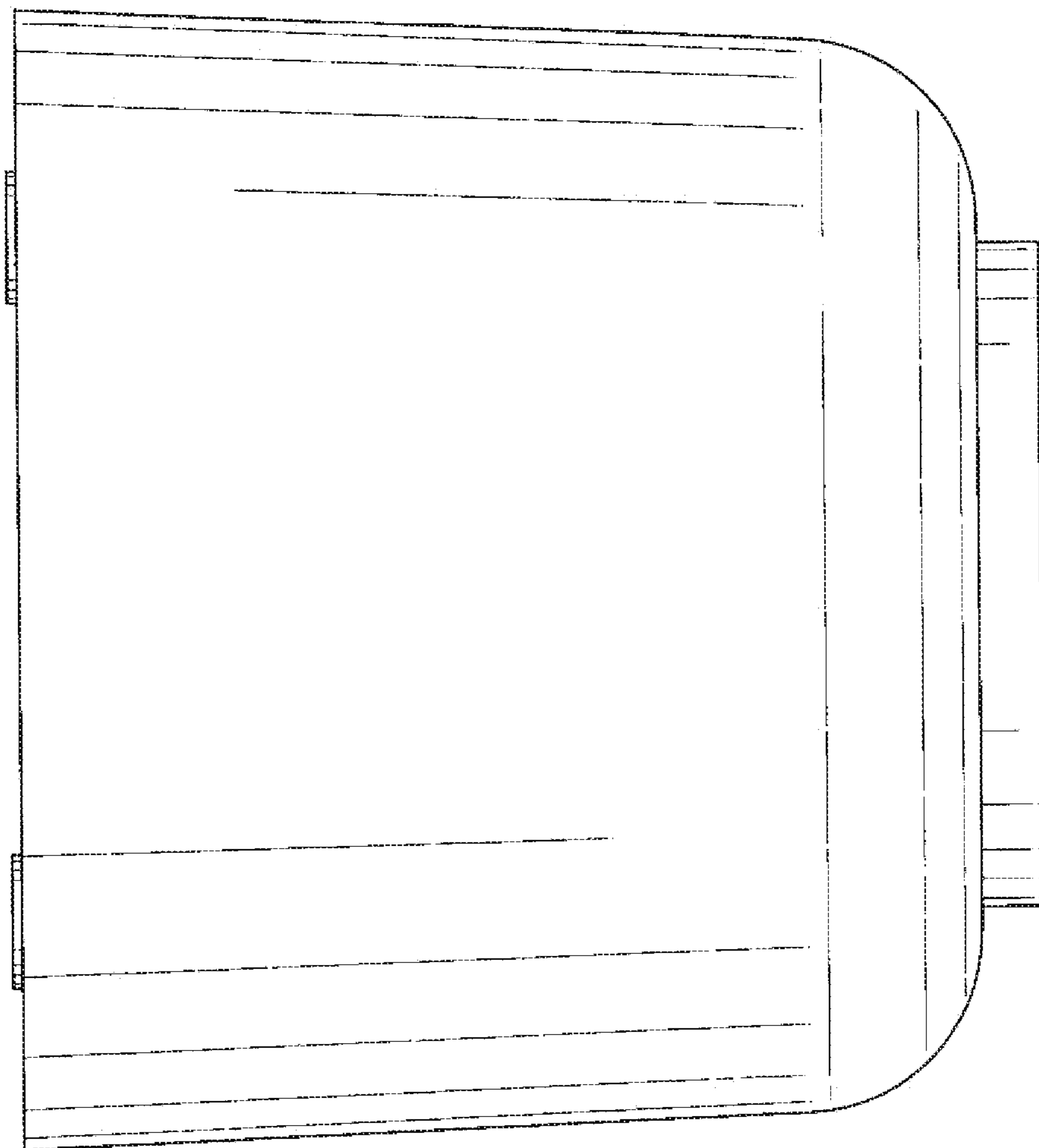


Fig. 3

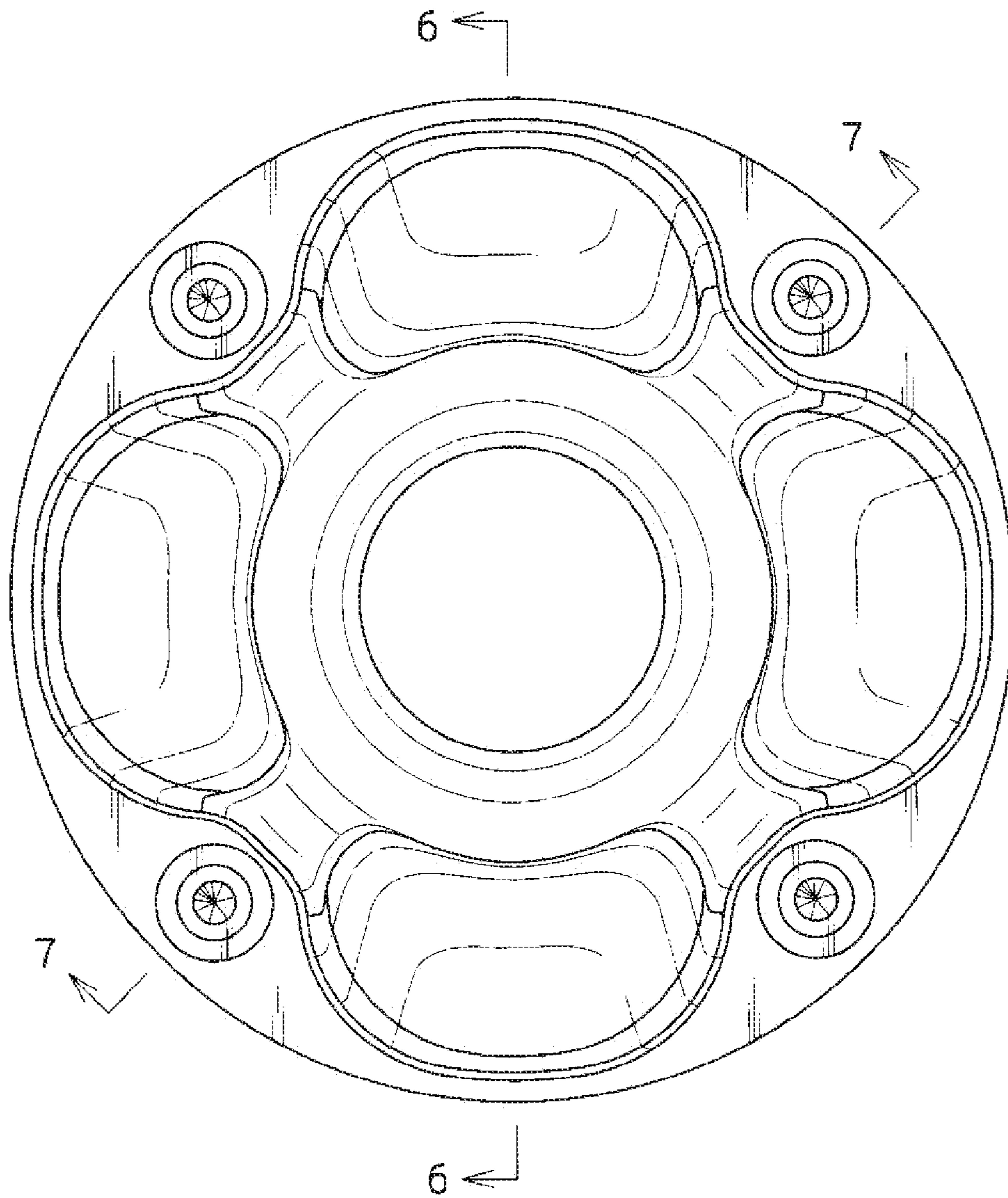


Fig. 4

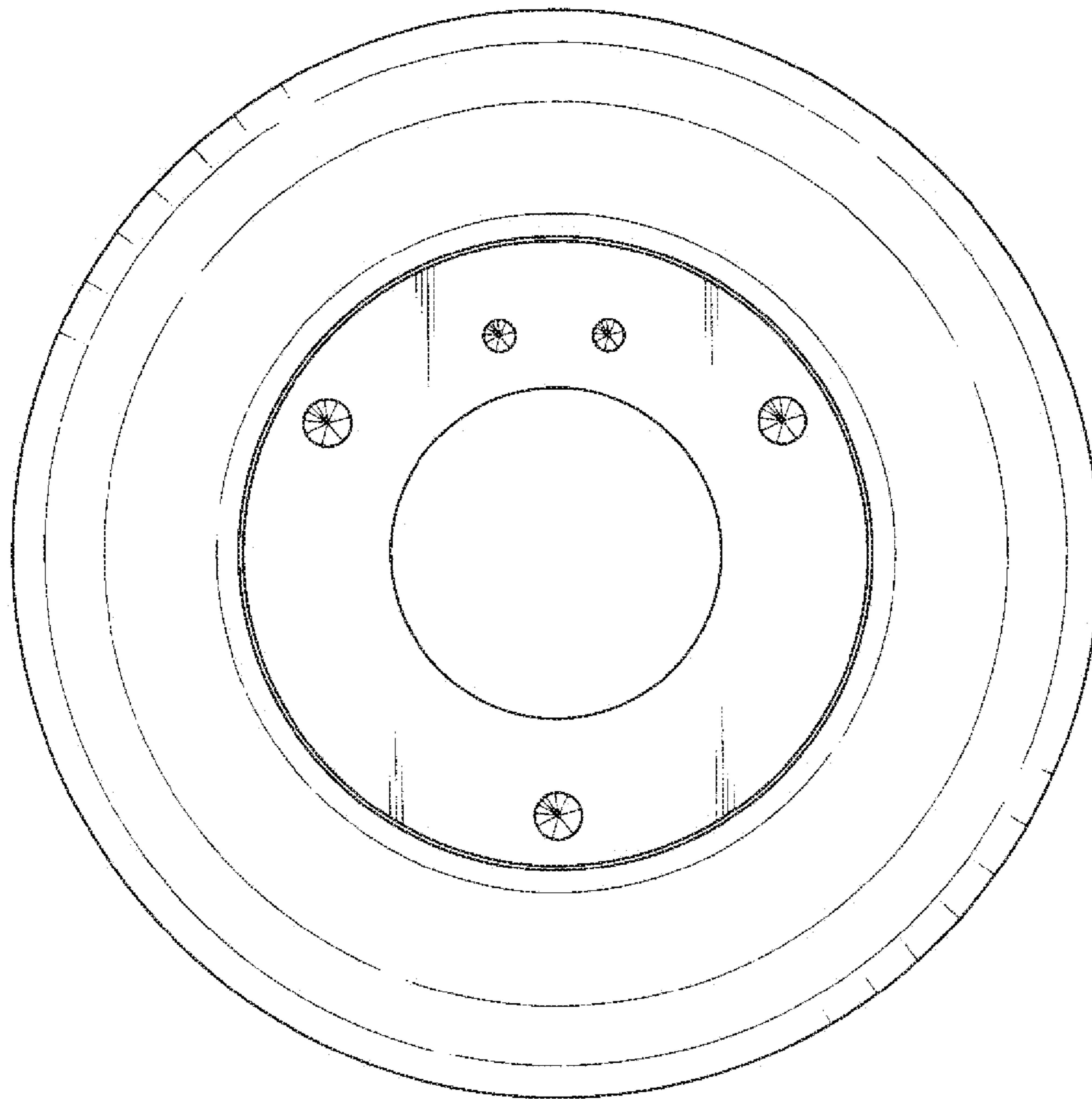


Fig. 5

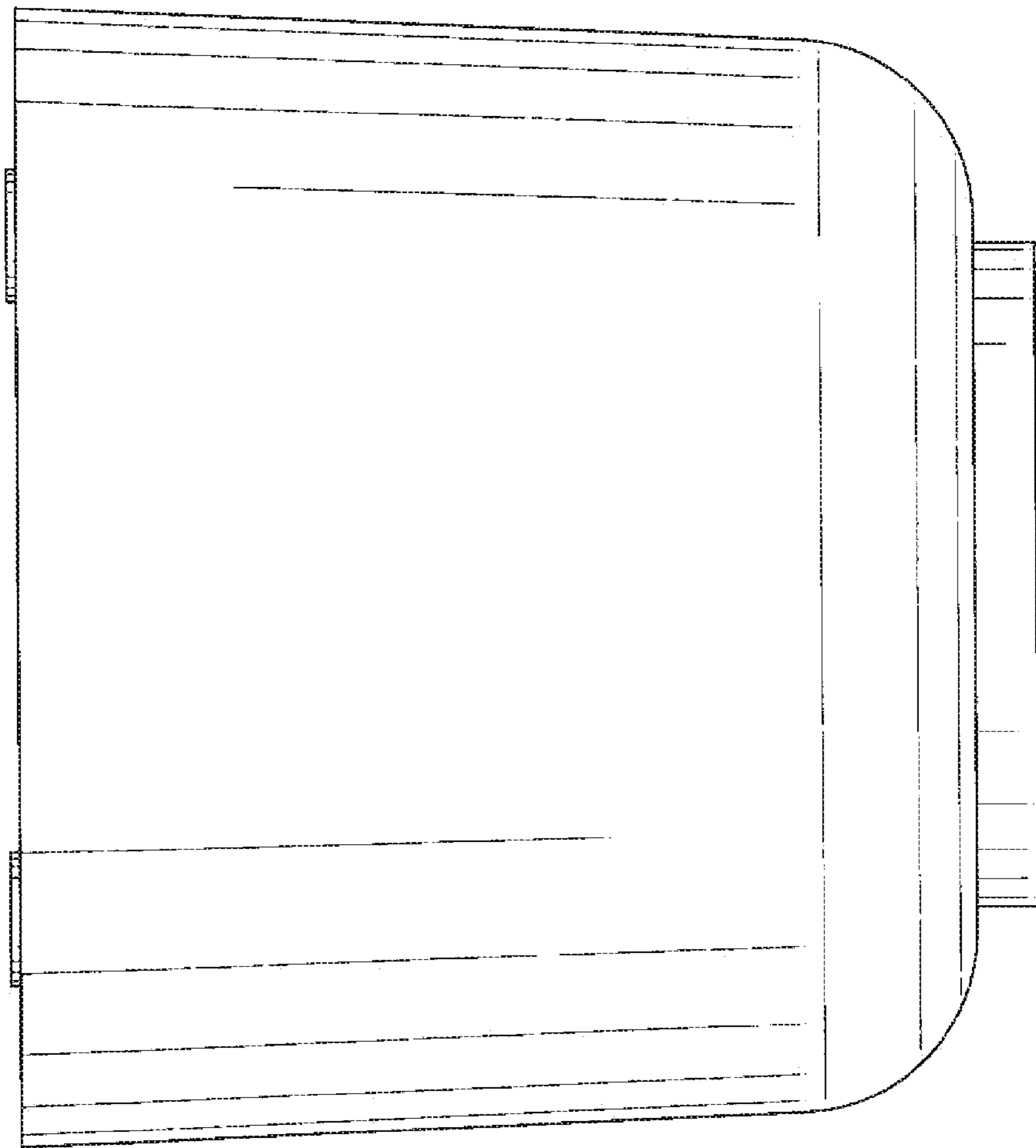


Fig. 6

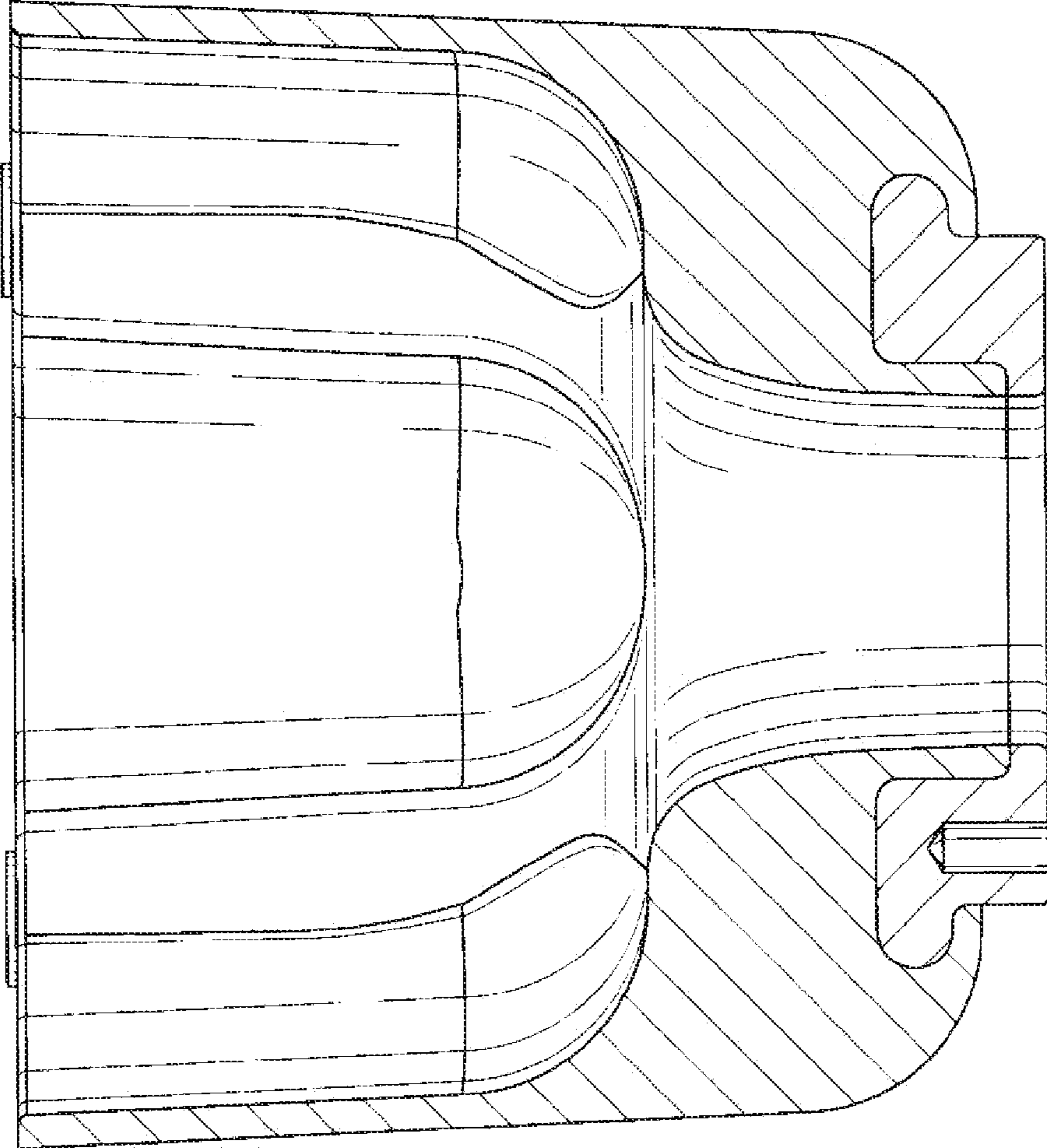


Fig. 7

