



US00D694710S

(12) **United States Design Patent**  
**Unetich**

(10) **Patent No.:** **US D694,710 S**  
(45) **Date of Patent:** **\*\* Dec. 3, 2013**

(54) **HIGH VOLTAGE VARIABLE CAPACITOR**

(75) Inventor: **Robert M. Unetich**, Pittsburgh, PA (US)

(73) Assignee: **Gigahertz LLC.**, Pittsburgh, PA (US)

(\*\*) Term: **14 Years**

(21) Appl. No.: **29/412,930**

(22) Filed: **Jun. 5, 2012**

(51) **LOC (9) Cl.** ..... **13-03**

(52) **U.S. Cl.**  
USPC ..... **D13/125**

(58) **Field of Classification Search**  
USPC ..... D13/123–125, 133, 154; 361/271, 277,  
361/301.1–301.4, 328–330, 763; 438/171,  
438/190, 238, 239, 381, 386, 393, 396  
See application file for complete search history.

(56) **References Cited**

**U.S. PATENT DOCUMENTS**

6,222,720 B1 \* 4/2001 Aoki et al. .... 361/301.5  
6,920,033 B2 \* 7/2005 Jahreiss et al. .... 361/277  
D522,456 S \* 6/2006 Matsumoto et al. .... D13/125

D578,476 S \* 10/2008 Takahashi ..... D13/125  
D633,044 S \* 2/2011 Bigler et al. .... D13/125  
2003/0151884 A1 \* 8/2003 Matsumoto ..... 361/523

\* cited by examiner

*Primary Examiner* — Thomas Johannes

(57) **CLAIM**

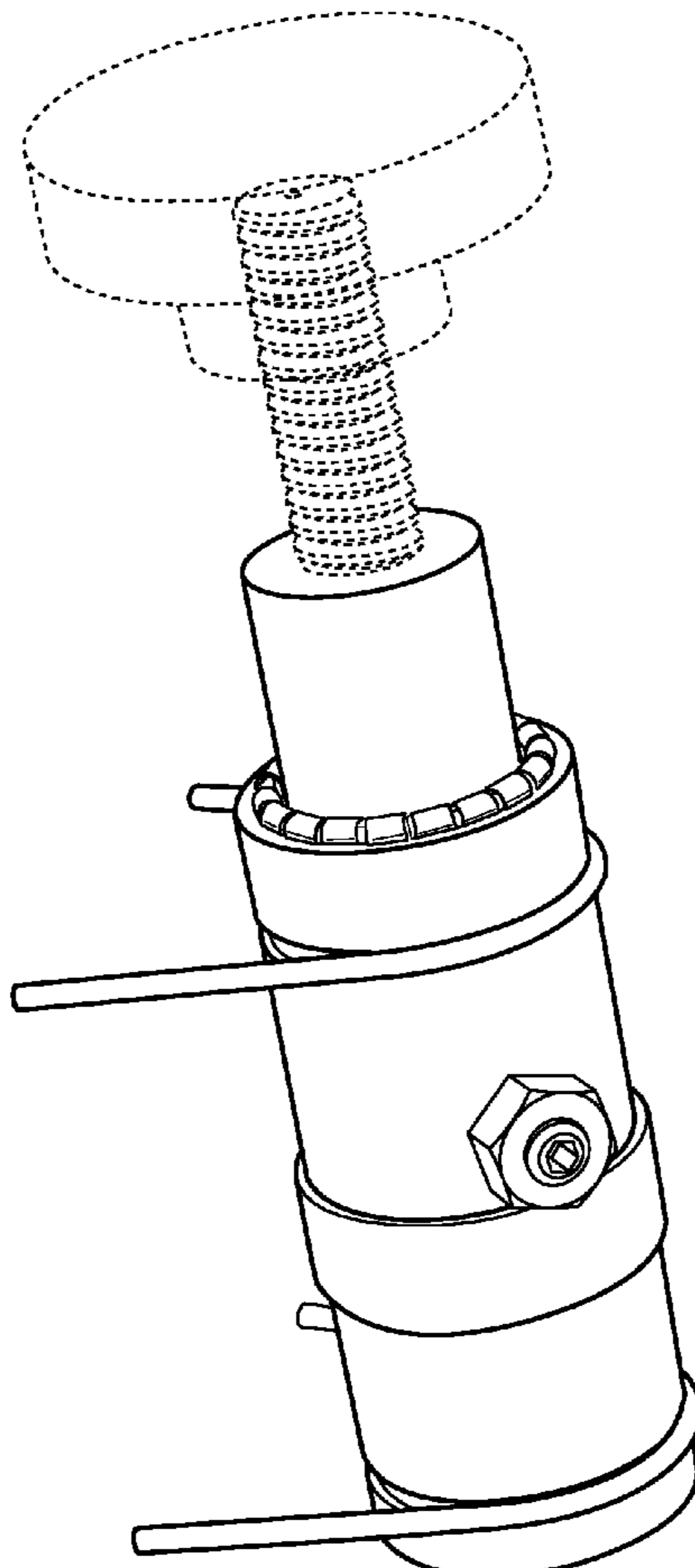
The ornamental design for a high voltage variable capacitor, as shown and described.

**DESCRIPTION**

FIG. 1 is a top perspective view of a high voltage variable capacitor showing my new design in a typical usage configuration including unclaimed environment; FIG. 2 is a front side view thereof in another usage configuration including unclaimed environment; FIG. 3 is an underside view thereof without unclaimed environment; FIG. 4 is a front end view thereof; FIG. 5 is a top elevation view thereof; and, FIG. 6 is a rear end view thereof.

The broken line portion of the figure drawings is included to show unclaimed subject matter only and forms no part of the claimed design.

**1 Claim, 3 Drawing Sheets**



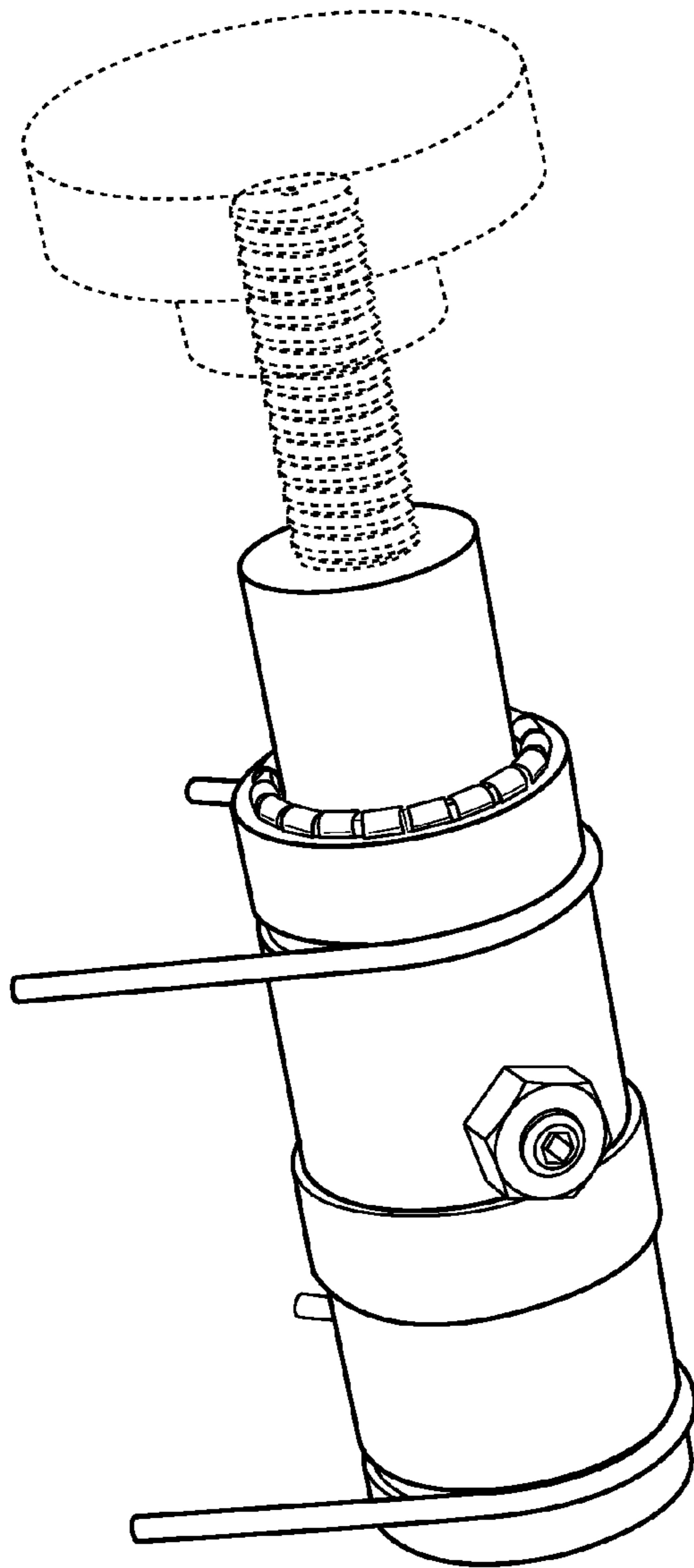


FIG. 1

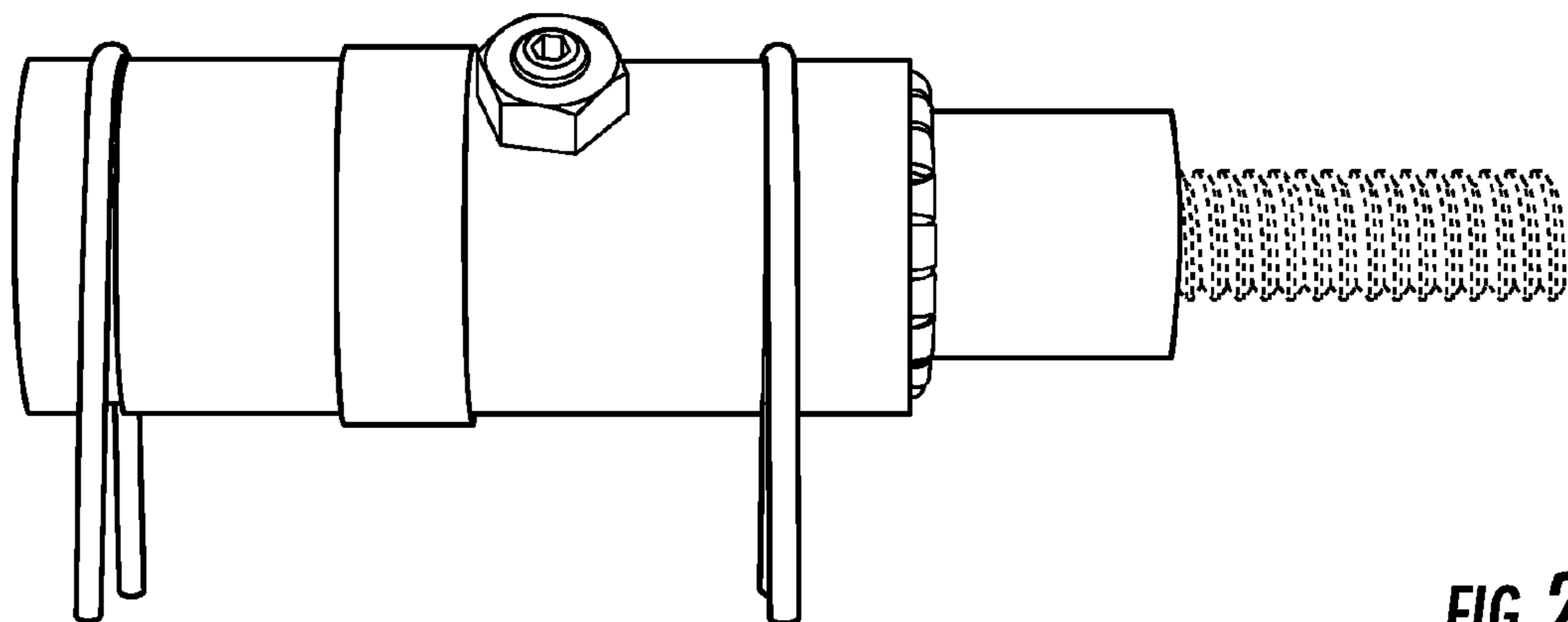
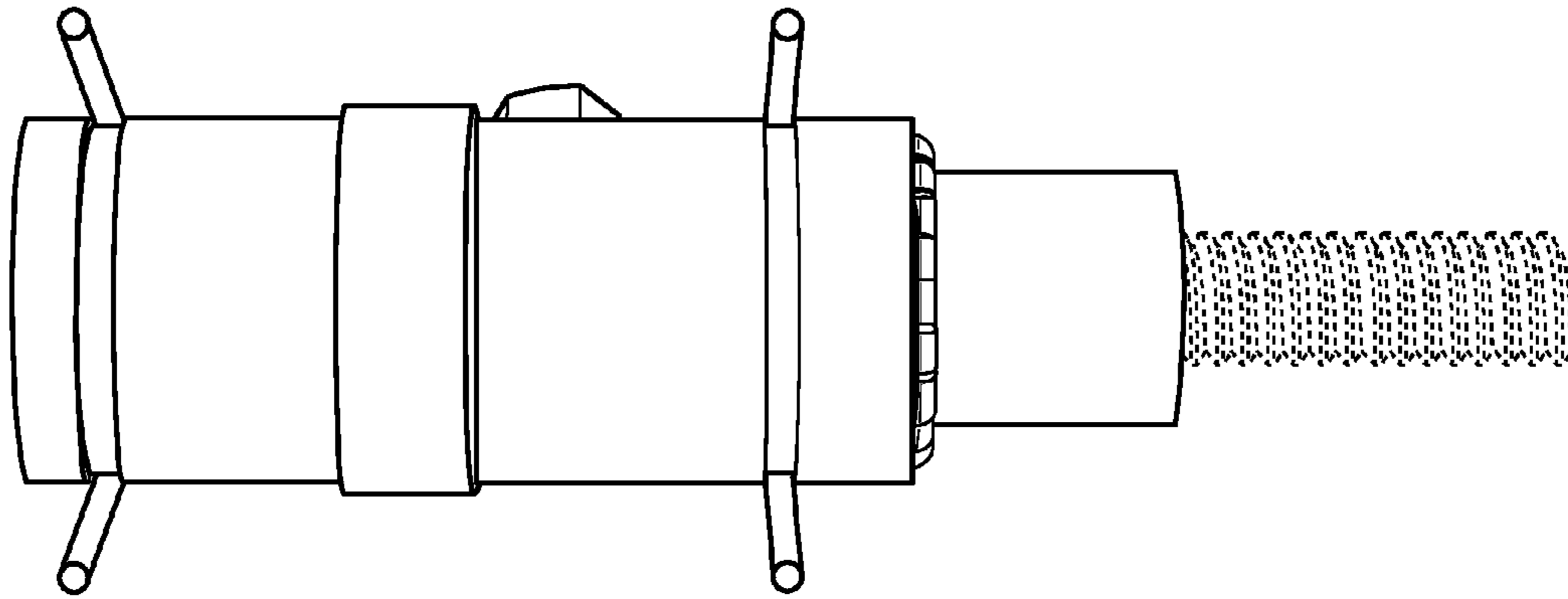
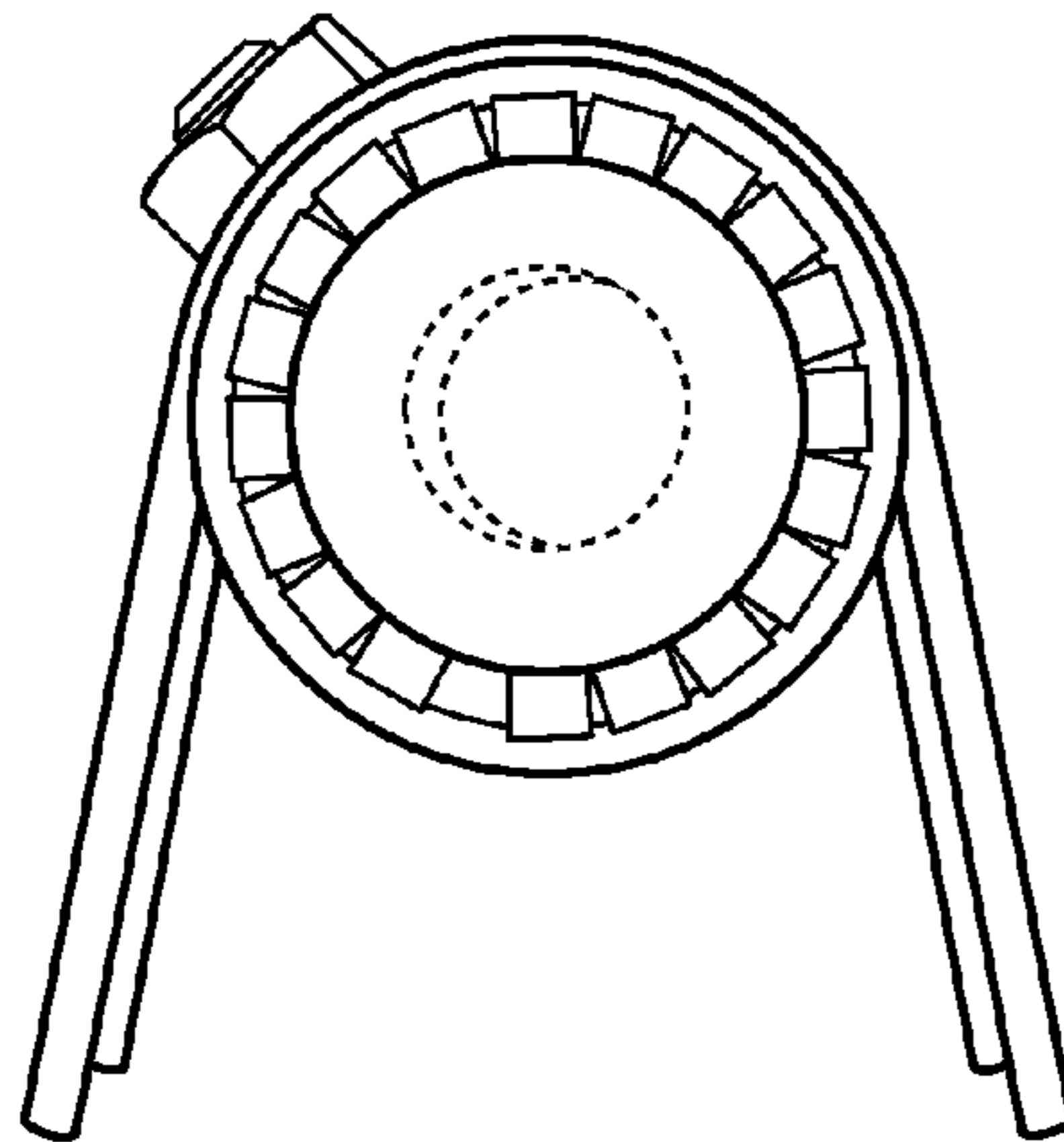


FIG. 2



**FIG. 3**



**FIG. 4**

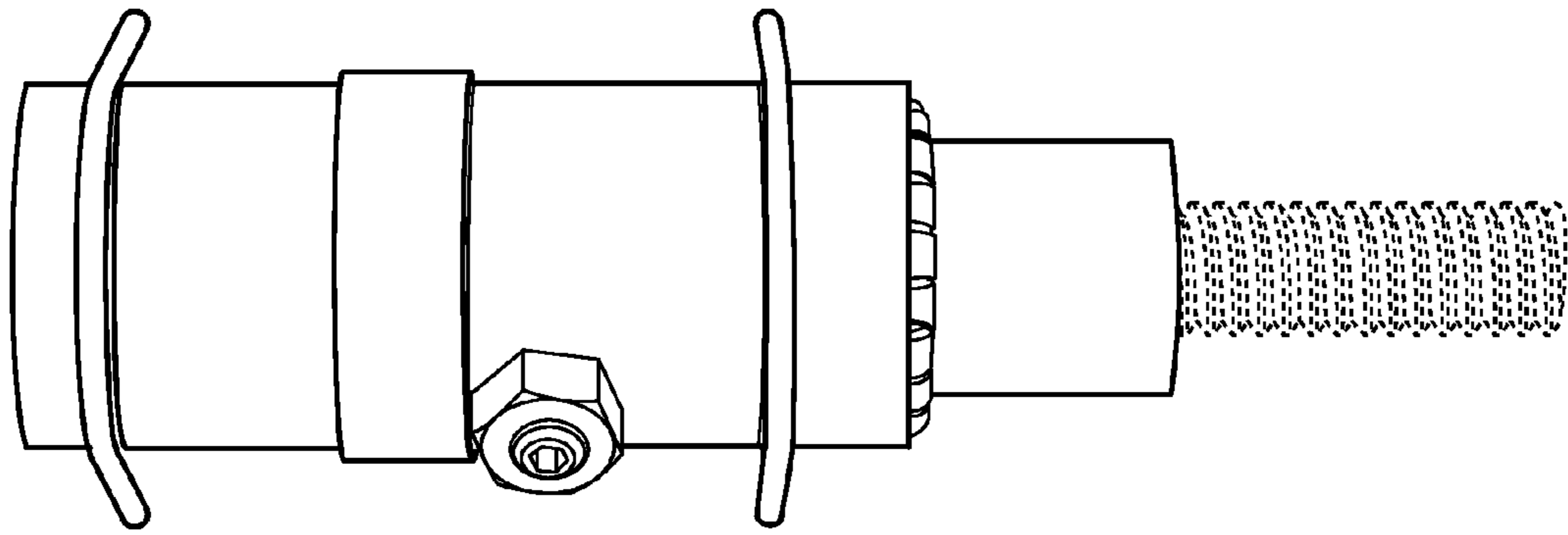


FIG. 5

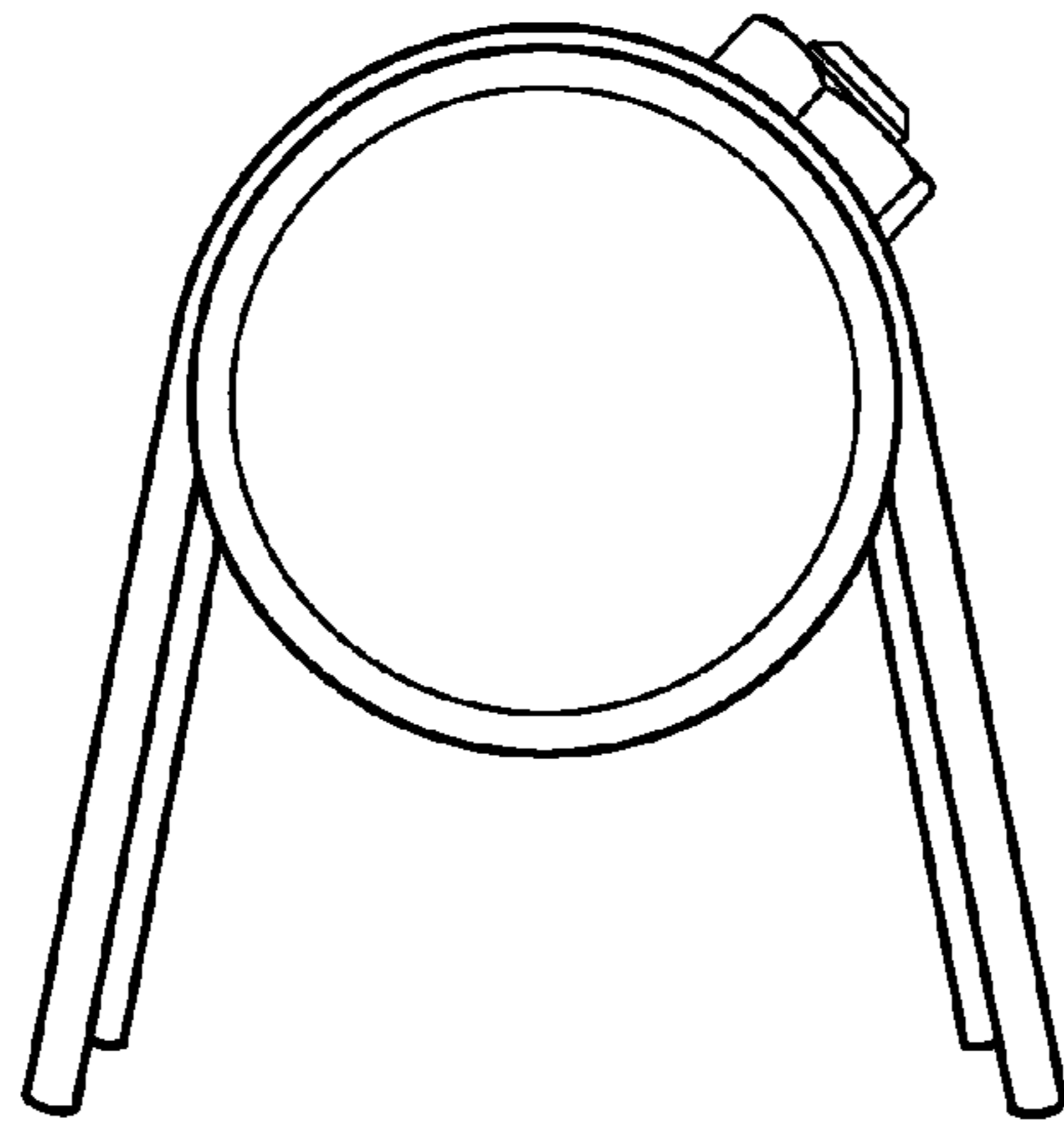


FIG. 6