

US00D694709S

(12) **United States Design Patent**
Scharf

(10) **Patent No.:** **US D694,709 S**

(45) **Date of Patent:** **** Dec. 3, 2013**

(54) **ELECTRICAL APPARATUS**

(75) Inventor: **Peter Scharf**, Frankfurt am Main (DE)

(73) Assignee: **SMA Solar Technology AG**, Niestetal (DE)

(**) Term: **14 Years**

(21) Appl. No.: **29/418,226**

(22) Filed: **Apr. 13, 2012**

(30) **Foreign Application Priority Data**

Oct. 13, 2011 (EP) 001931528-0002

(51) **LOC (9) Cl.** **13-02**

(52) **U.S. Cl.**
USPC **D13/110**

(58) **Field of Classification Search**
USPC D13/110, 101, 102, 123, 162, 184, 199;
D14/348, 349, 353, 357, 358; 361/600,
361/601, 702, 704, 707, 715, 730; 363/15,
363/35, 157, 174, 175, 177; 136/205, 206
See application file for complete search history.

(56) **References Cited**

U.S. PATENT DOCUMENTS

D381,623 S * 7/1997 Sugino et al. D13/110
D423,452 S * 4/2000 Fujisawa et al. D13/110
D490,051 S * 5/2004 Kikumoto D13/102
D507,528 S * 7/2005 Feldman et al. D13/110
D582,842 S * 12/2008 Wei D13/102

D604,237 S * 11/2009 Engel et al. D13/110
D604,239 S * 11/2009 Engel et al. D13/110
D608,735 S * 1/2010 Kashimoto D13/110
D644,603 S * 9/2011 Liu D13/102

* cited by examiner

Primary Examiner — Derrick Holland

(74) *Attorney, Agent, or Firm* — Eschweiler & Associates, LLC

(57) **CLAIM**

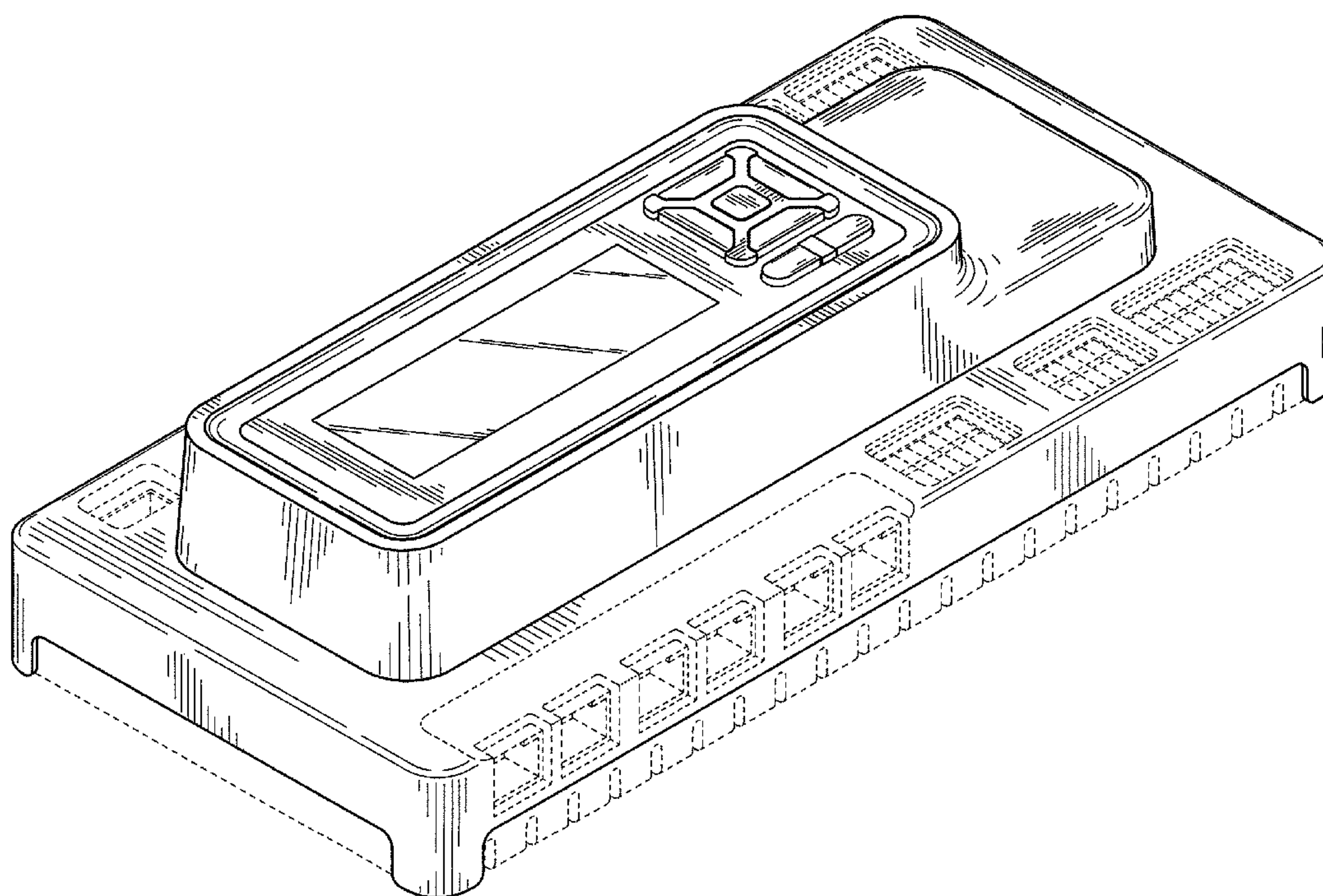
The ornamental design for an electrical apparatus, as shown and described.

DESCRIPTION

FIG. 1 is a top, front and right side perspective view of an electrical apparatus showing my new design; FIG. 2 is a top plan view thereof; FIG. 3 is a bottom plan view thereof; FIG. 4 is a right side elevation view thereof; FIG. 5 is a left side elevation view thereof; FIG. 6 is a front elevation view thereof; and, FIG. 7 is a rear elevation view thereof.

The broken lines shown represent unclaimed subject matter and form no part of the claim. Where broken lines abut a claimed surface it is understood that those broken lines represent an unclaimed boundary between claimed and unclaimed surfaces. None of the broken lines form any part of the claimed design.

1 Claim, 5 Drawing Sheets



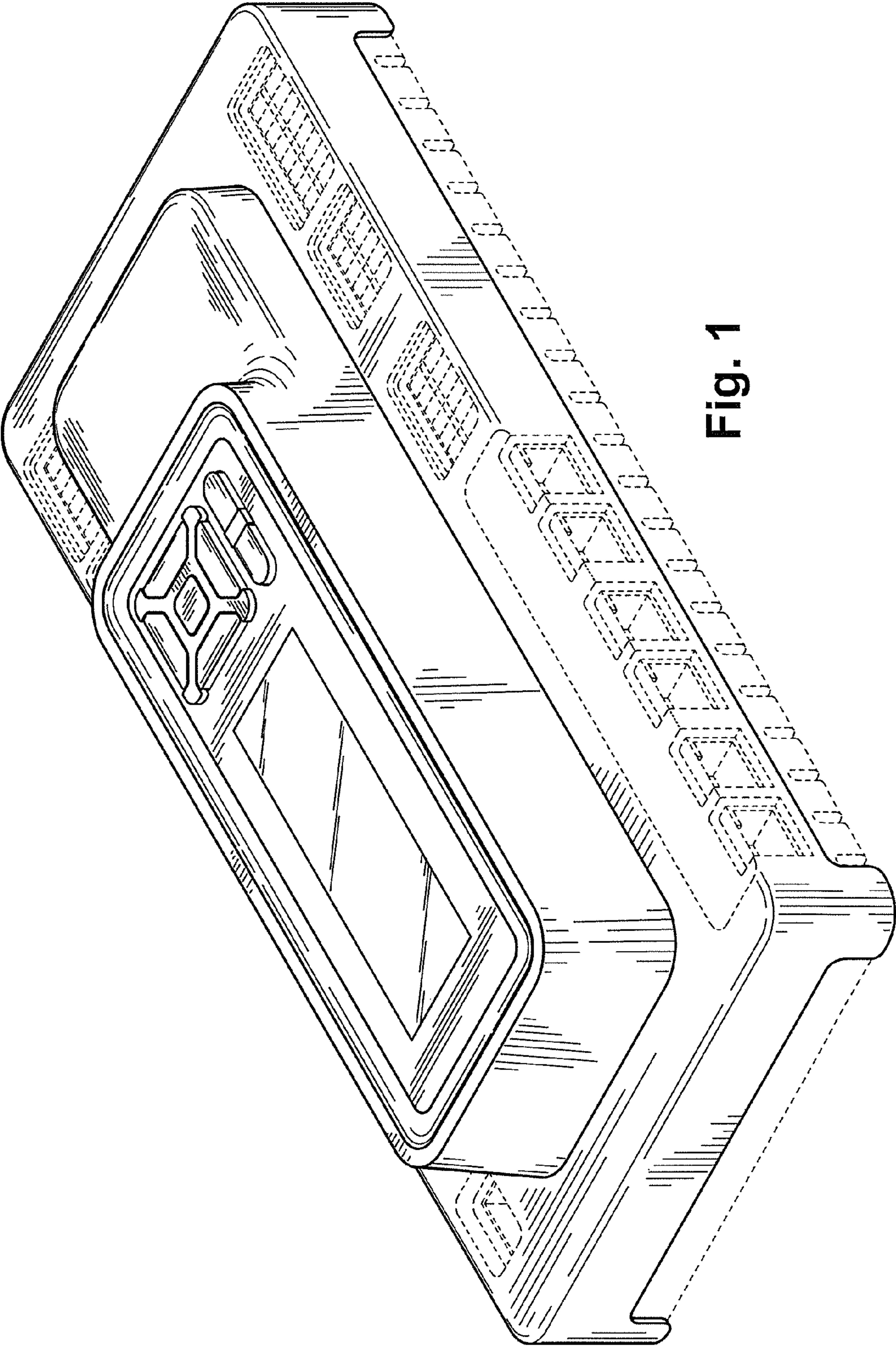


Fig. 1

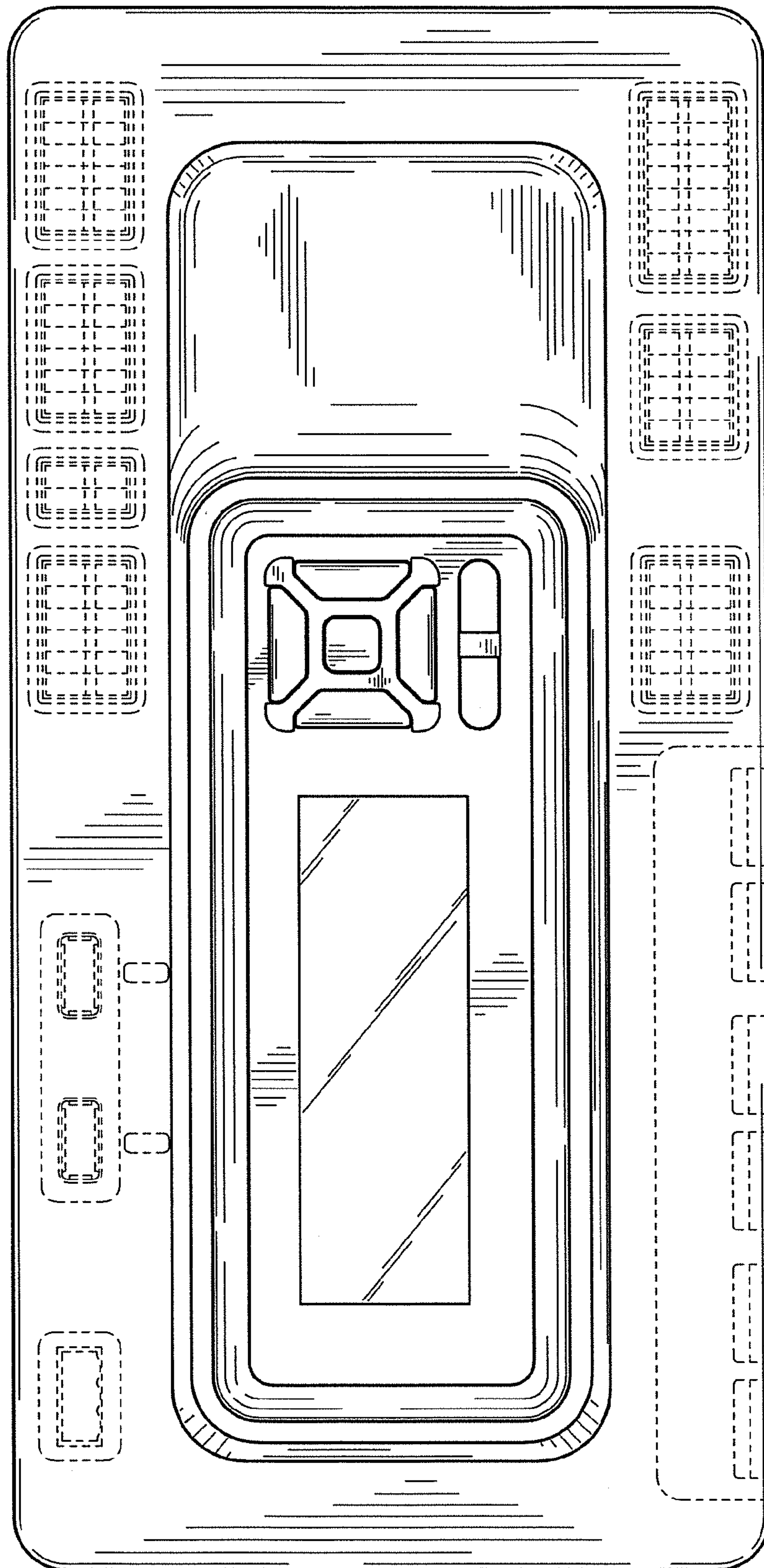


Fig. 2

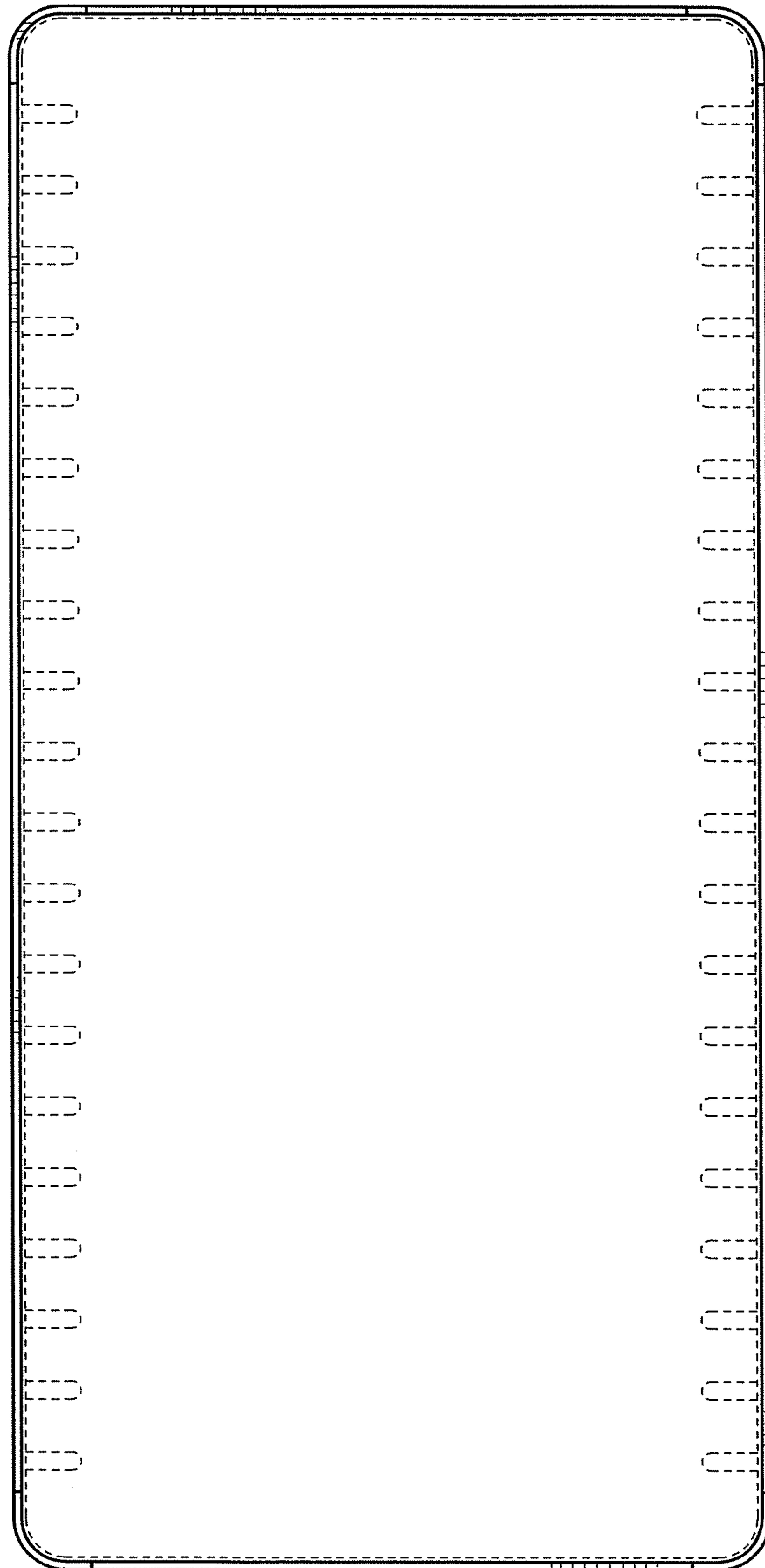


Fig. 3

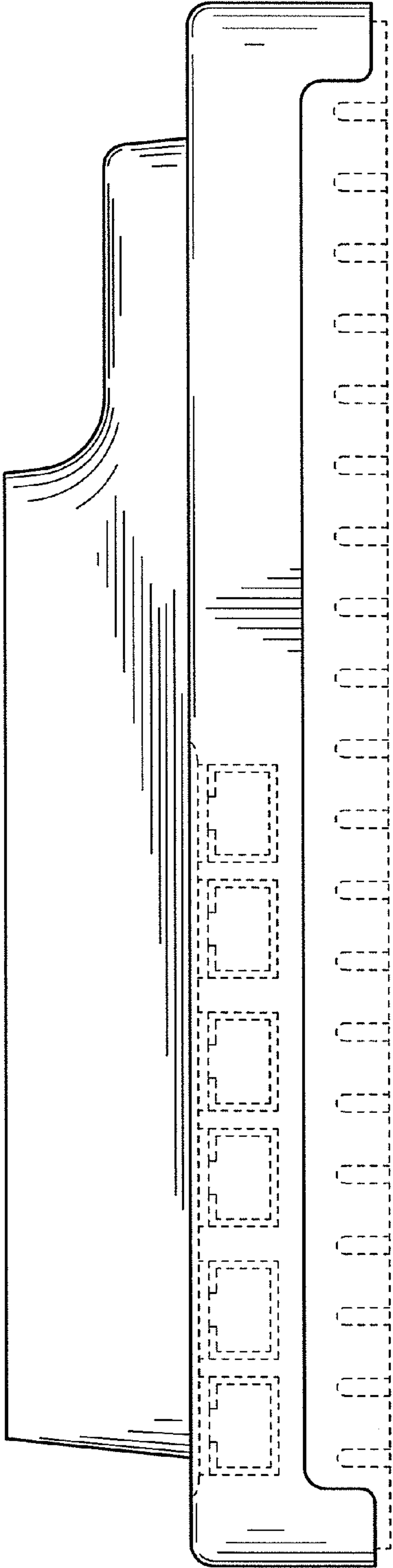


Fig. 4

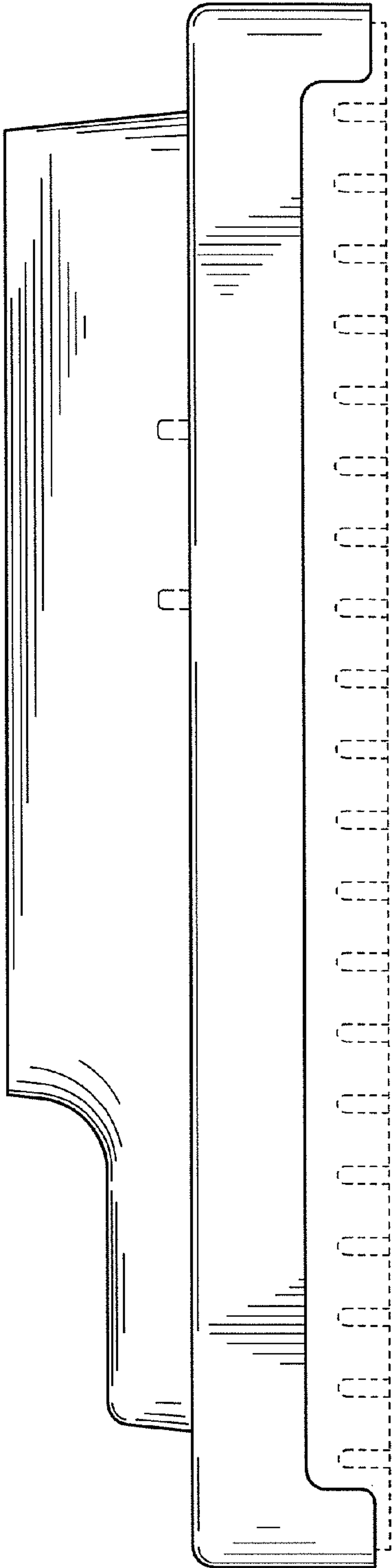


Fig. 5

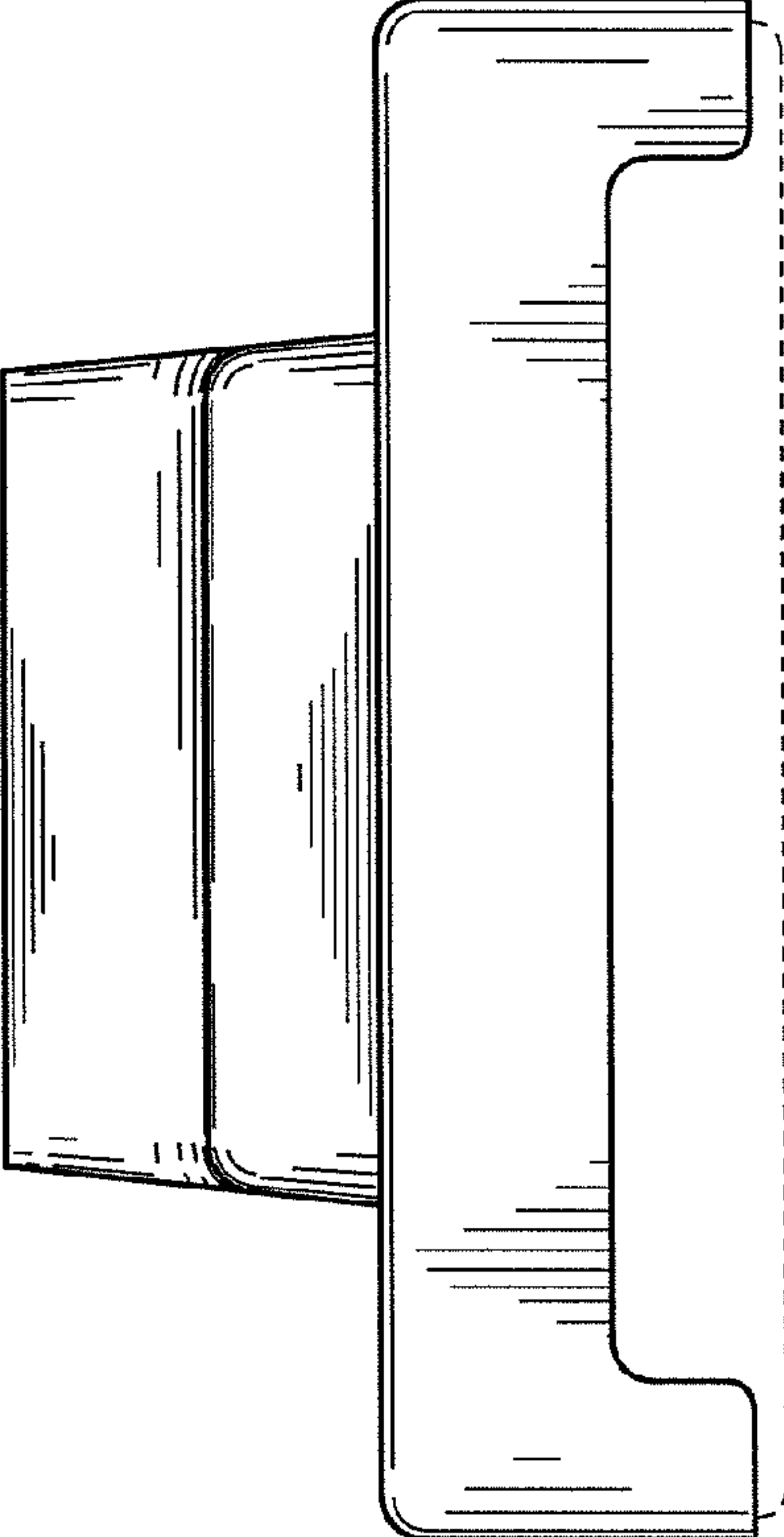


Fig. 7

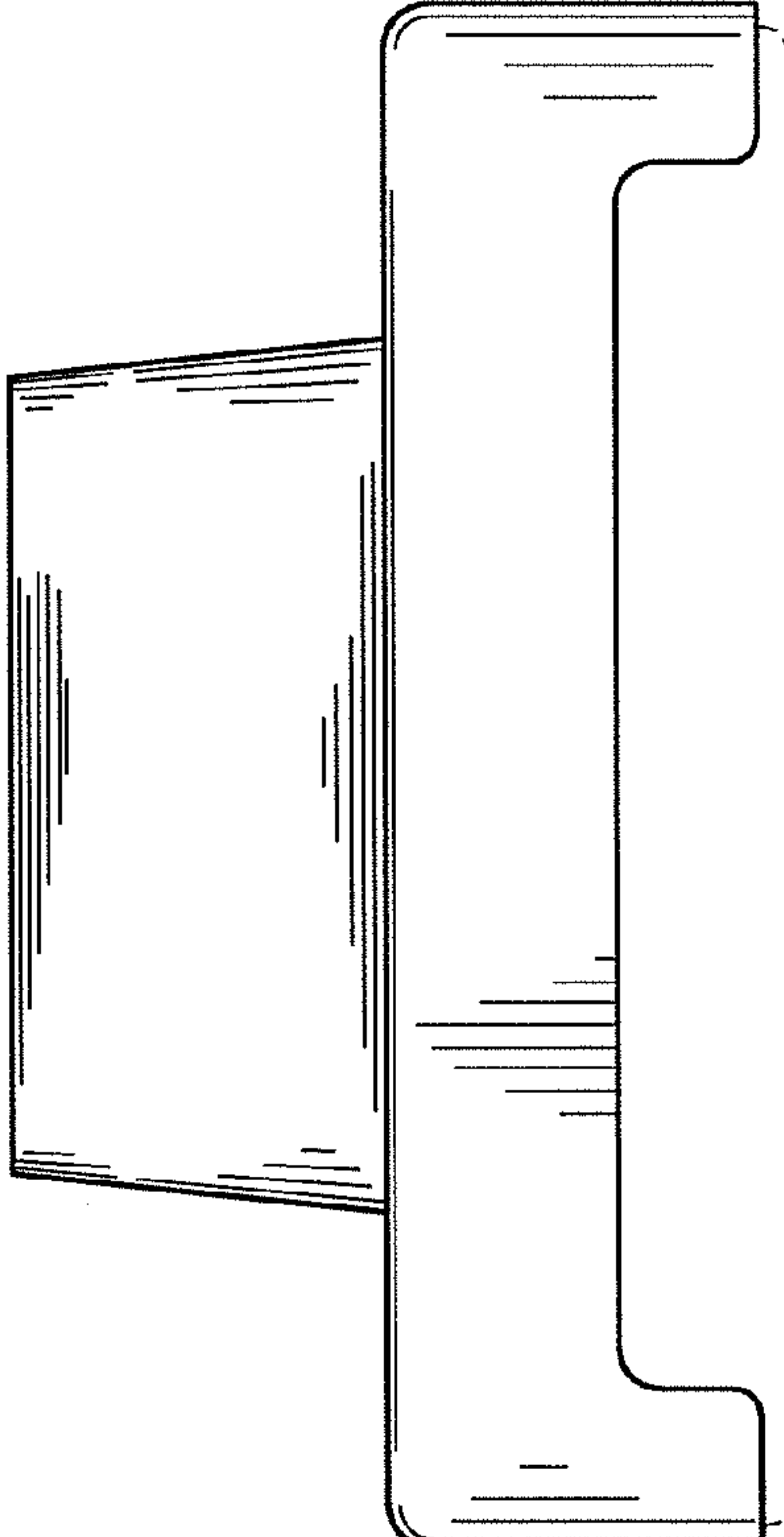


Fig. 6