



US00D694706S

(12) **United States Design Patent**  
**Kuo**

(10) **Patent No.:** **US D694,706 S**  
(45) **Date of Patent:** **\*\* Dec. 3, 2013**

(54) **CHARGER**

(75) Inventor: **Ming-Chou Kuo**, Taipei (TW)

(73) Assignee: **Powertech Industrial Co., Ltd.**, New Taipei (TW)

(\*\*) Term: **14 Years**

(21) Appl. No.: **29/397,792**

(22) Filed: **Jul. 20, 2011**

(30) **Foreign Application Priority Data**

May 27, 2011 (TW) ..... 100302663

(51) **LOC (9) Cl.** ..... **13-02**

(52) **U.S. Cl.**

USPC ..... **D13/108**; D13/137.2

(58) **Field of Classification Search**

USPC ..... D13/107–110, 118–119, 137.1–137.4,  
D13/139.1, 139.4, 184, 199; D14/217, 251,  
D14/253, 432, 434; 320/107–115

See application file for complete search history.

(56) **References Cited**

**U.S. PATENT DOCUMENTS**

D361,315 S *	8/1995	Wedell et al.	.....	D13/160
D366,453 S *	1/1996	Boesel et al.	.....	D13/137.2
D442,916 S *	5/2001	Tong et al.	.....	D13/137.2
D469,063 S *	1/2003	Nieto et al.	.....	D13/137.2
D479,823 S *	9/2003	Andre et al.	.....	D13/110
D529,495 S *	10/2006	Kent et al.	.....	D14/356
D549,175 S *	8/2007	Slasinski	.....	D13/137.1
D559,782 S *	1/2008	Slasinski	.....	D13/137.1
D562,230 S *	2/2008	Houghton	.....	D13/107
D562,231 S *	2/2008	Osiecki et al.	.....	D13/107
D564,965 S *	3/2008	Martinez	.....	D13/137.2
D582,346 S *	12/2008	Zhou	.....	D13/137.2
D595,722 S *	7/2009	Miyawaki	.....	D14/447
D618,689 S *	6/2010	Shimizu	.....	D14/434

D619,535 S *	7/2010	Shi	.....	D13/137.2
D621,346 S *	8/2010	Navid	.....	D13/108
D628,153 S *	11/2010	Fujii et al.	.....	D13/108
7,868,589 B2 *	1/2011	McSweyn et al.	.....	320/114
D633,042 S *	2/2011	Houghton et al.	.....	D13/110
D638,789 S *	5/2011	Markowitz	.....	D13/108
D651,974 S *	1/2012	Benedetti	.....	D13/137.2
D652,380 S *	1/2012	Chen et al.	.....	D13/110
D653,209 S *	1/2012	Lee	.....	D13/110
D666,968 S *	9/2012	Huang	.....	D13/110
D680,953 S *	4/2013	Kuo	.....	D13/137.2
D683,310 S *	5/2013	McSweyn	.....	D13/108
2010/0315036 A1	12/2010	Liao		

**FOREIGN PATENT DOCUMENTS**

TW 97136046 4/2010

\* cited by examiner

*Primary Examiner* — Rosemary K Tarcza

(74) *Attorney, Agent, or Firm* — Li & Cai Intellectual Property (USA) Office

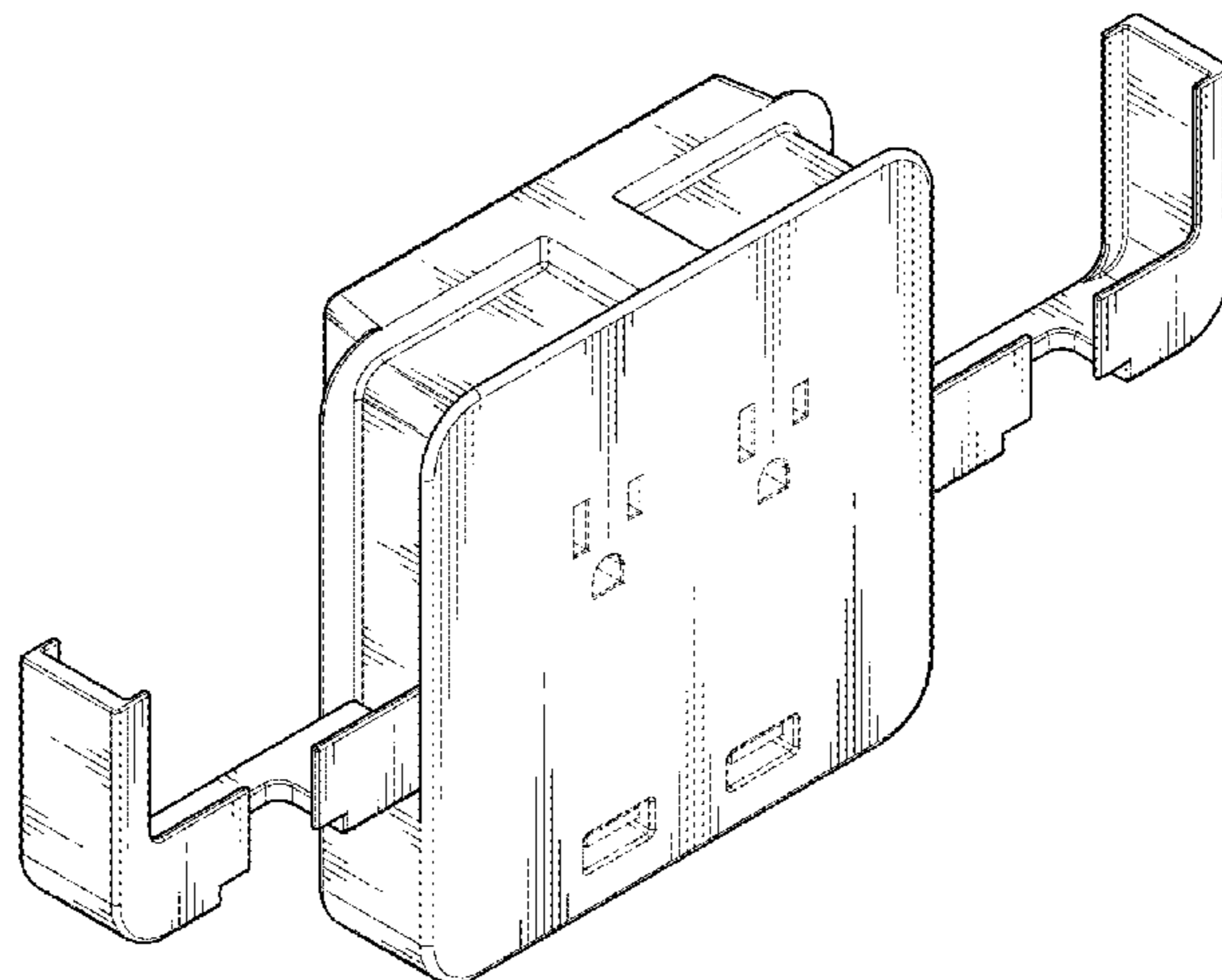
(57) **CLAIM**

The ornamental design for a “charger,” as shown and described.

**DESCRIPTION**

FIG. 1 is a perspective view of a “charger” showing my new design;  
FIG. 2 is a front view thereof;  
FIG. 3 is a rear view thereof;  
FIG. 4 is a left side view thereof;  
FIG. 5 is a right side view thereof;  
FIG. 6 is a top view thereof;  
FIG. 7 is a bottom view thereof;  
FIG. 8 is a perspective view thereof in an open position; and,  
FIG. 9 is another perspective view thereof in a closed position.

**1 Claim, 5 Drawing Sheets**



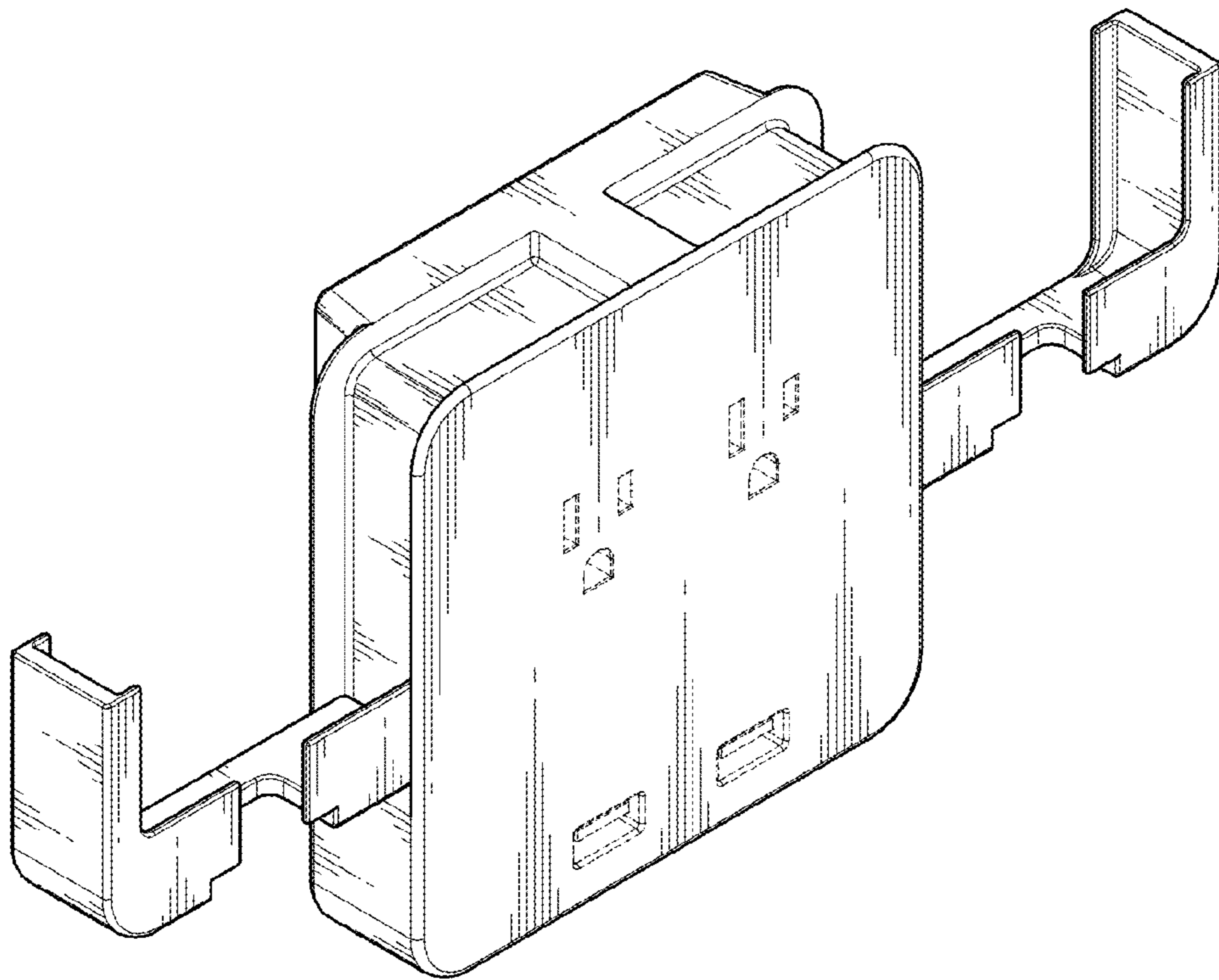


FIG. 1

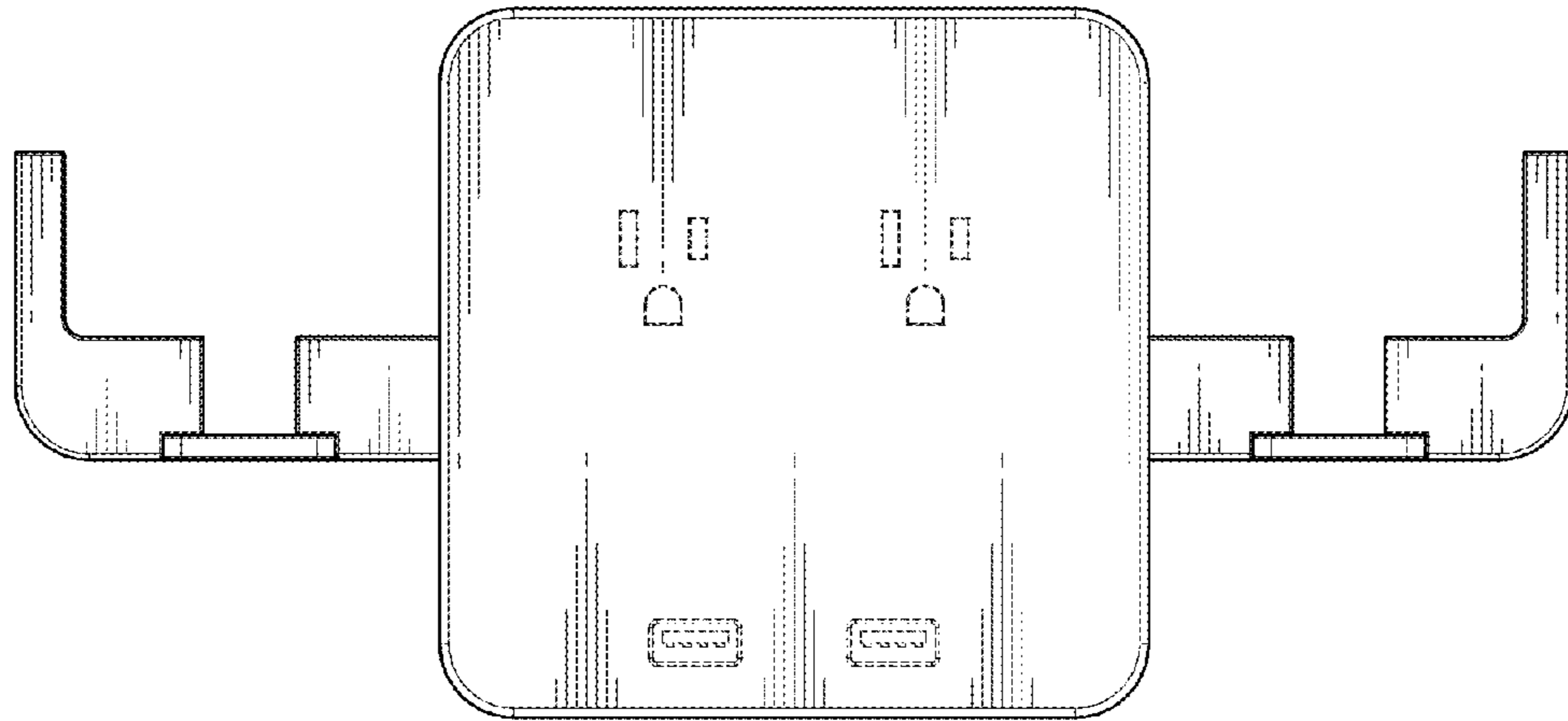


FIG. 2

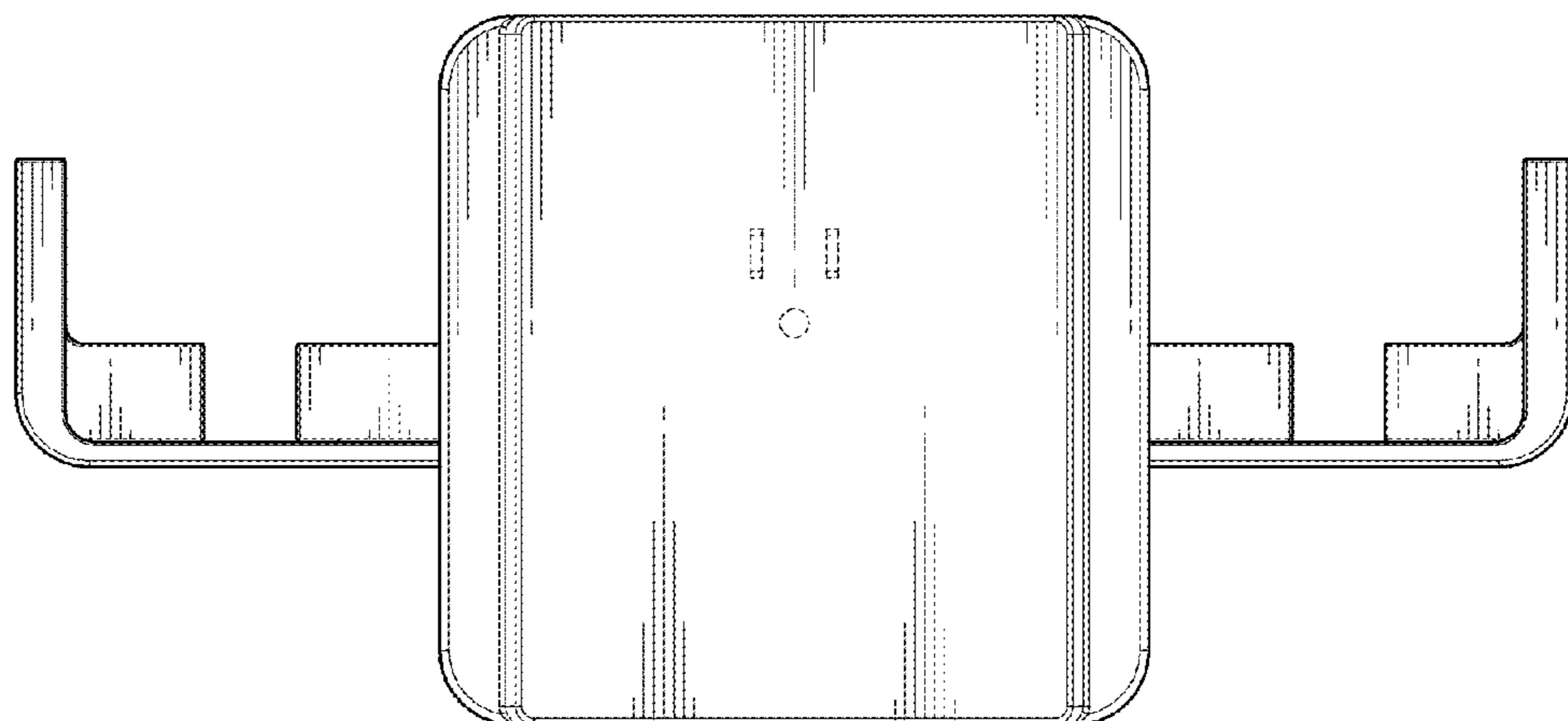


FIG. 3

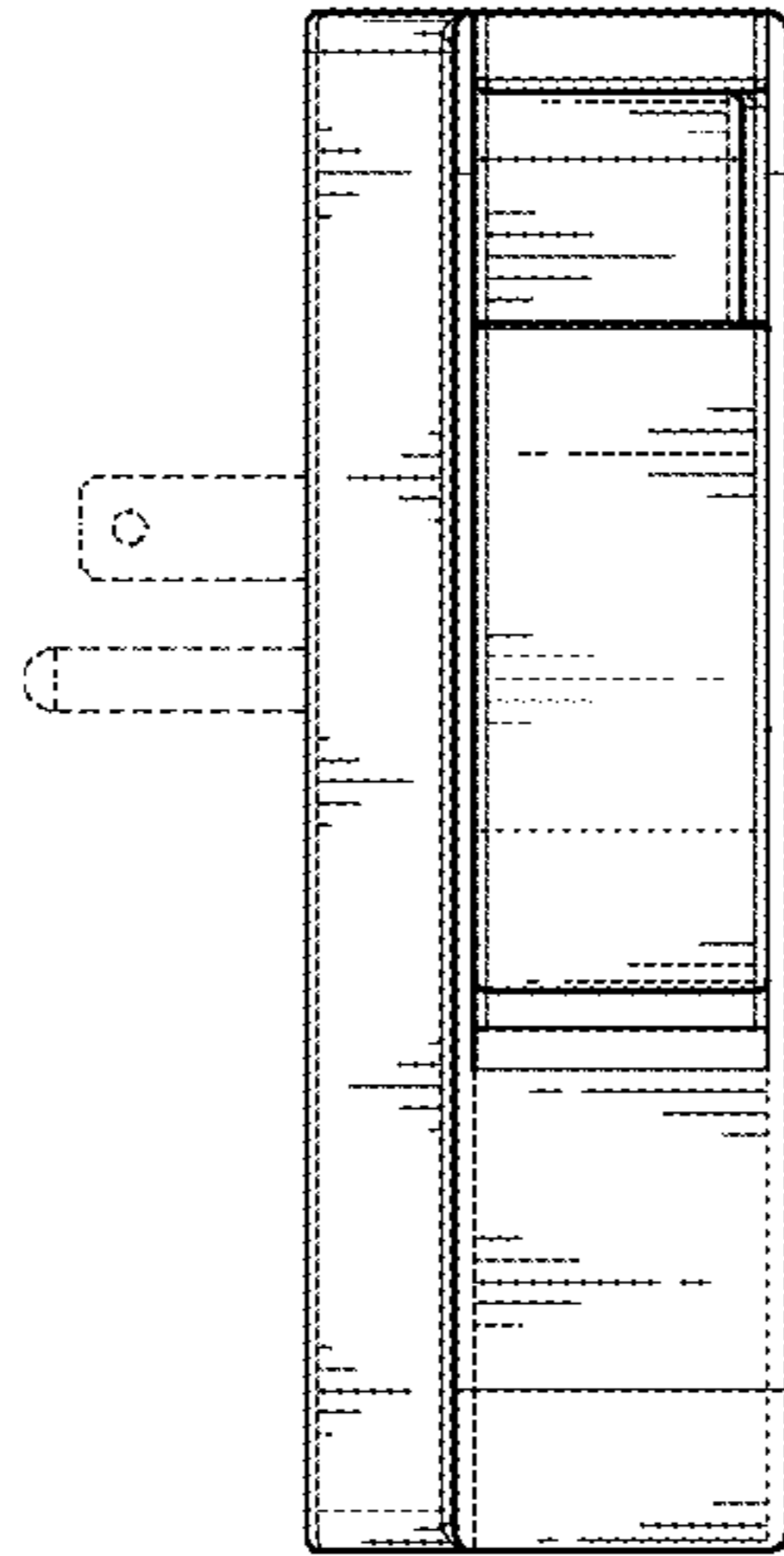


FIG. 4

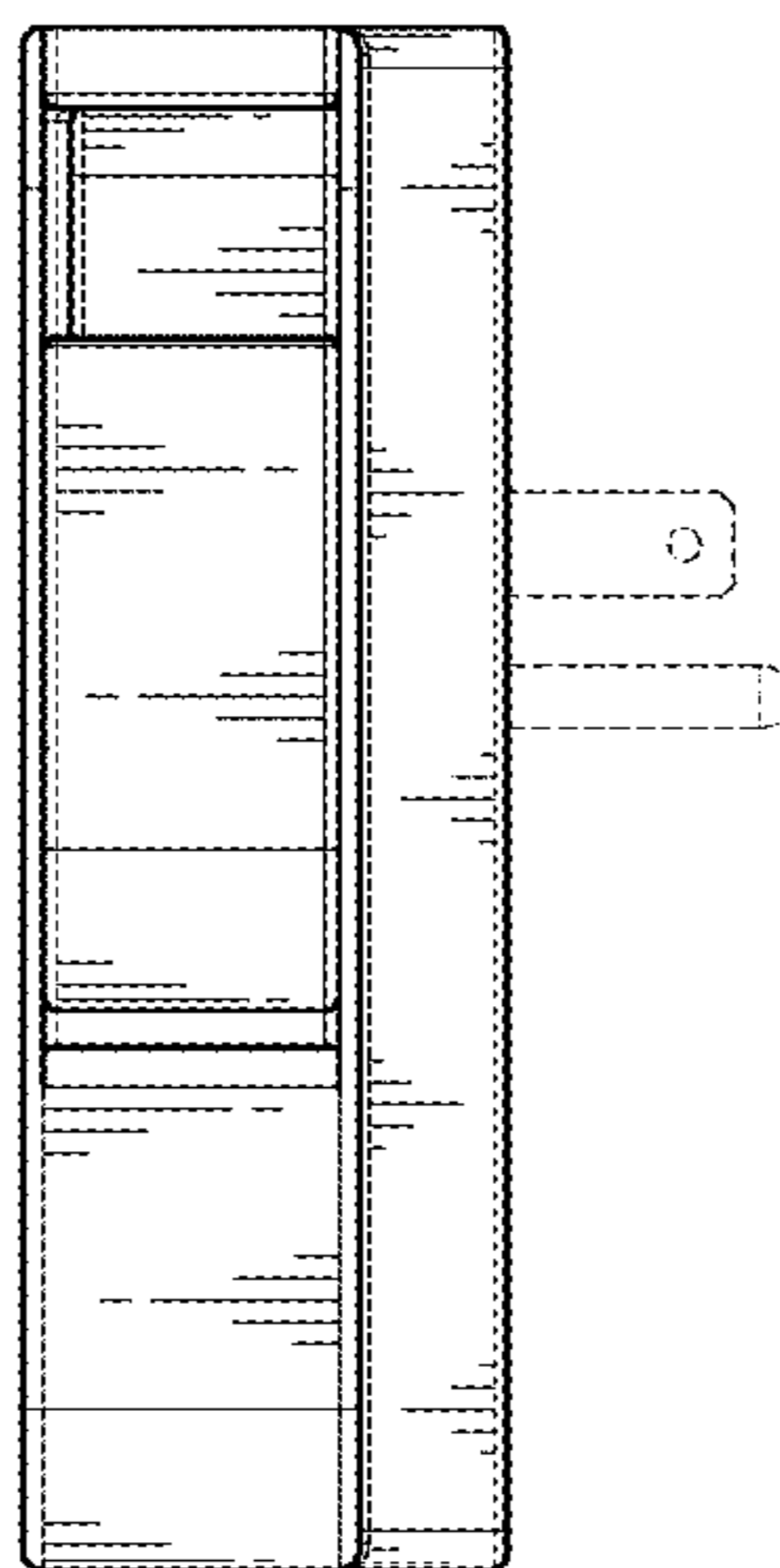


FIG. 5

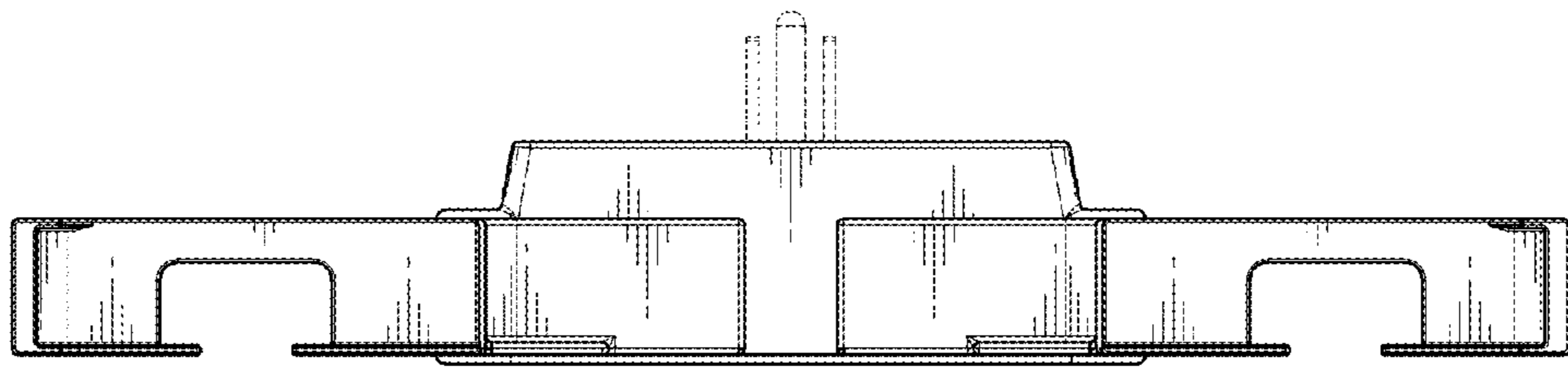


FIG. 6

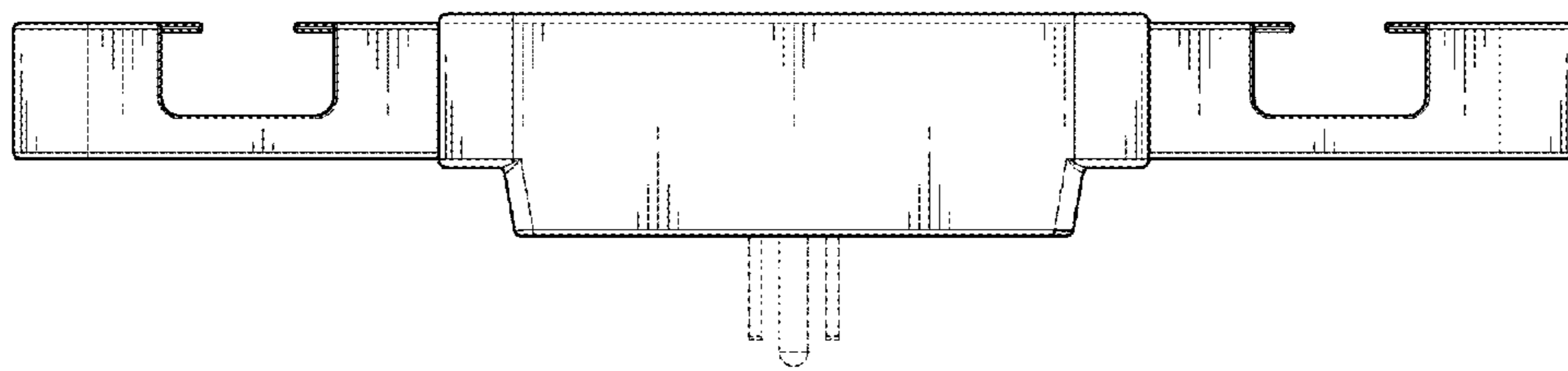


FIG. 7

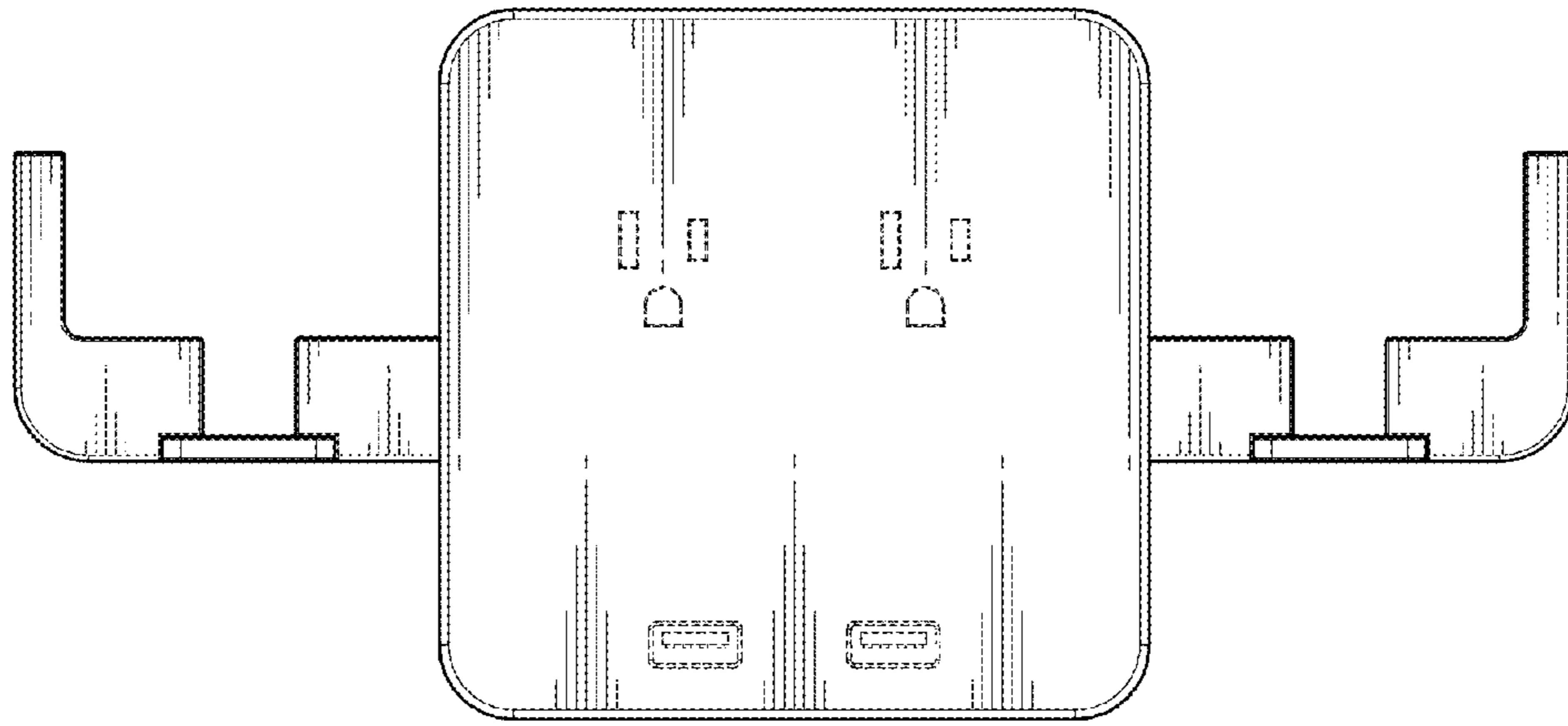


FIG. 8

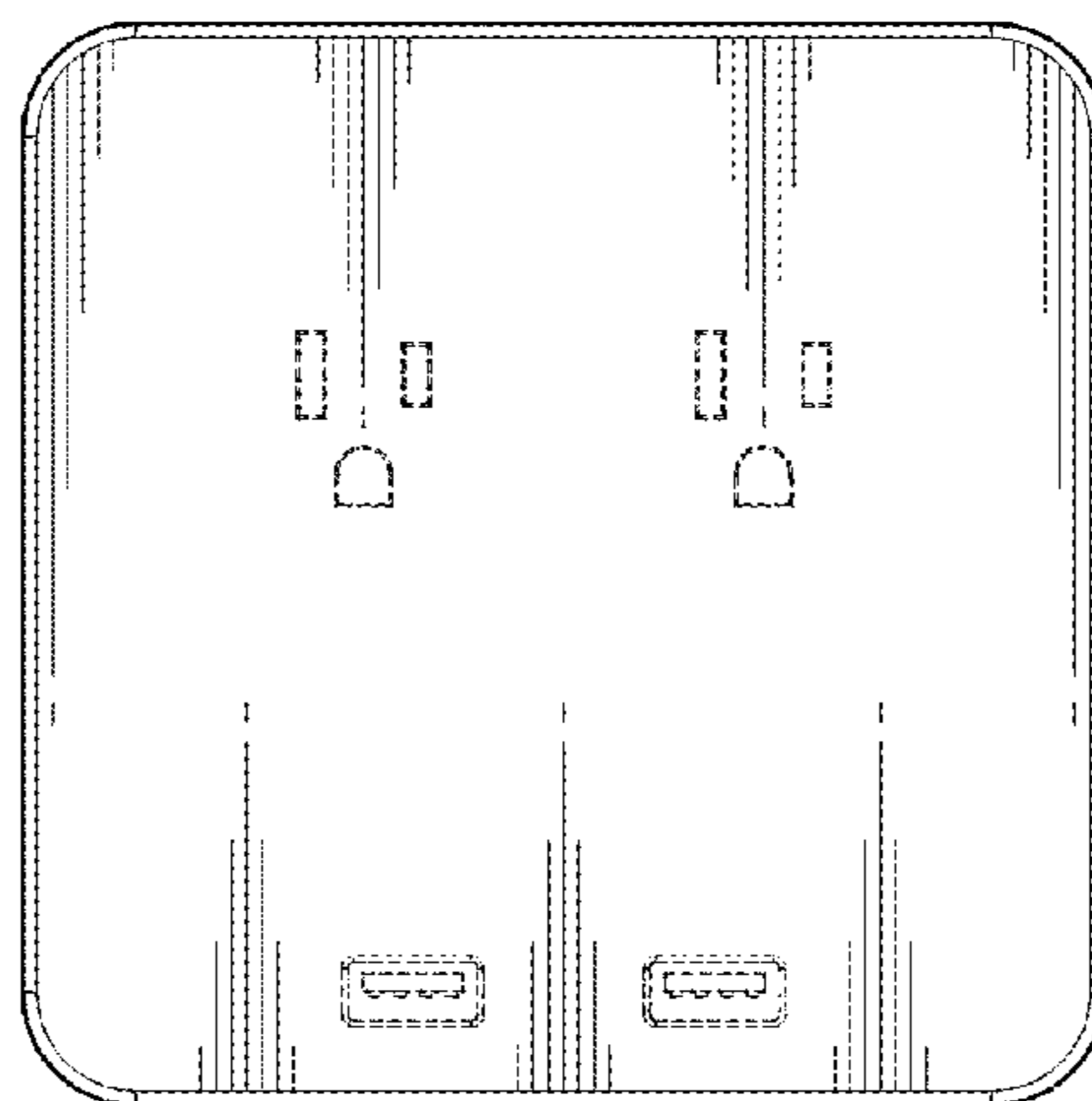


FIG. 9