



US00D694705S

(12) **United States Design Patent**
Kingston et al.

(10) **Patent No.:** **US D694,705 S**

(45) **Date of Patent:** **** Dec. 3, 2013**

(54) **CHARGER**

(71) Applicant: **Eveready Battery Company, Inc.**, St. Louis, MO (US)

(72) Inventors: **Ronald J. Kingston**, Syracuse, NY (US); **David J. Hine**, Syracuse, NY (US)

(73) Assignee: **Eveready Battery Co, Inc.**, St. Louis, MO (US)

(**) Term: **14 Years**

(21) Appl. No.: **29/453,741**

(22) Filed: **May 2, 2013**

(51) **LOC (9) Cl.** **13-02**

(52) **U.S. Cl.**
USPC **D13/107**

(58) **Field of Classification Search**
USPC D13/107-110, 118-119, 184, 199;
D14/217, 251, 253, 432, 434;
320/107-115

See application file for complete search history.

(56) **References Cited**

U.S. PATENT DOCUMENTS

D463,360 S * 9/2002 Lie D13/107
D465,452 S * 11/2002 Lie D13/107

D466,075 S * 11/2002 Lie D13/107
D571,722 S * 6/2008 Kang et al. D13/107
D614,127 S * 4/2010 Kingston et al. D13/107
D639,732 S * 6/2011 Ueda D13/107
D667,785 S * 9/2012 Ueda et al. D13/107
D676,806 S * 2/2013 Baker et al. D13/107

* cited by examiner

Primary Examiner — Rosemary K Tarcza

(74) *Attorney, Agent, or Firm* — Russell H. Toye, Jr.

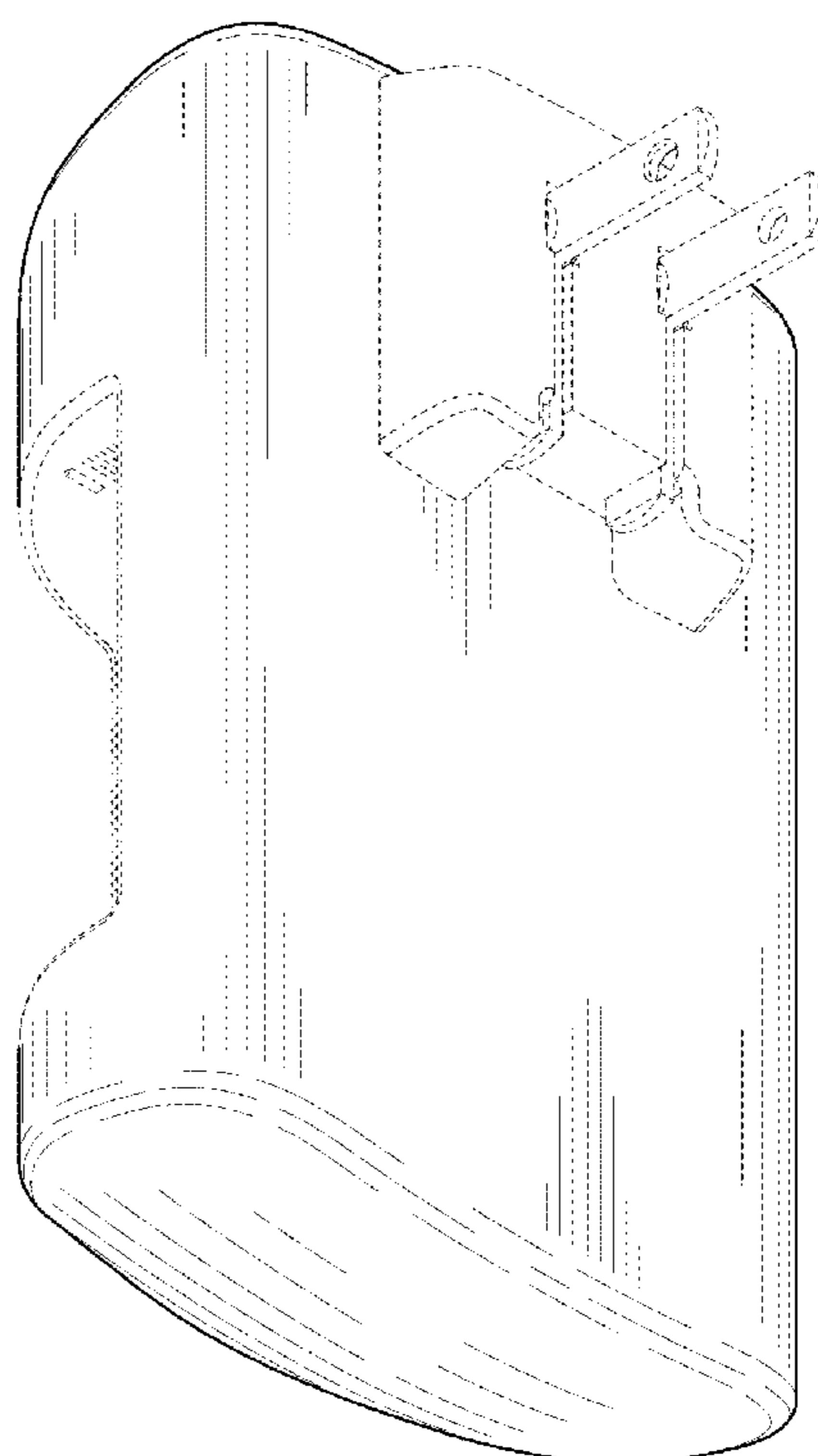
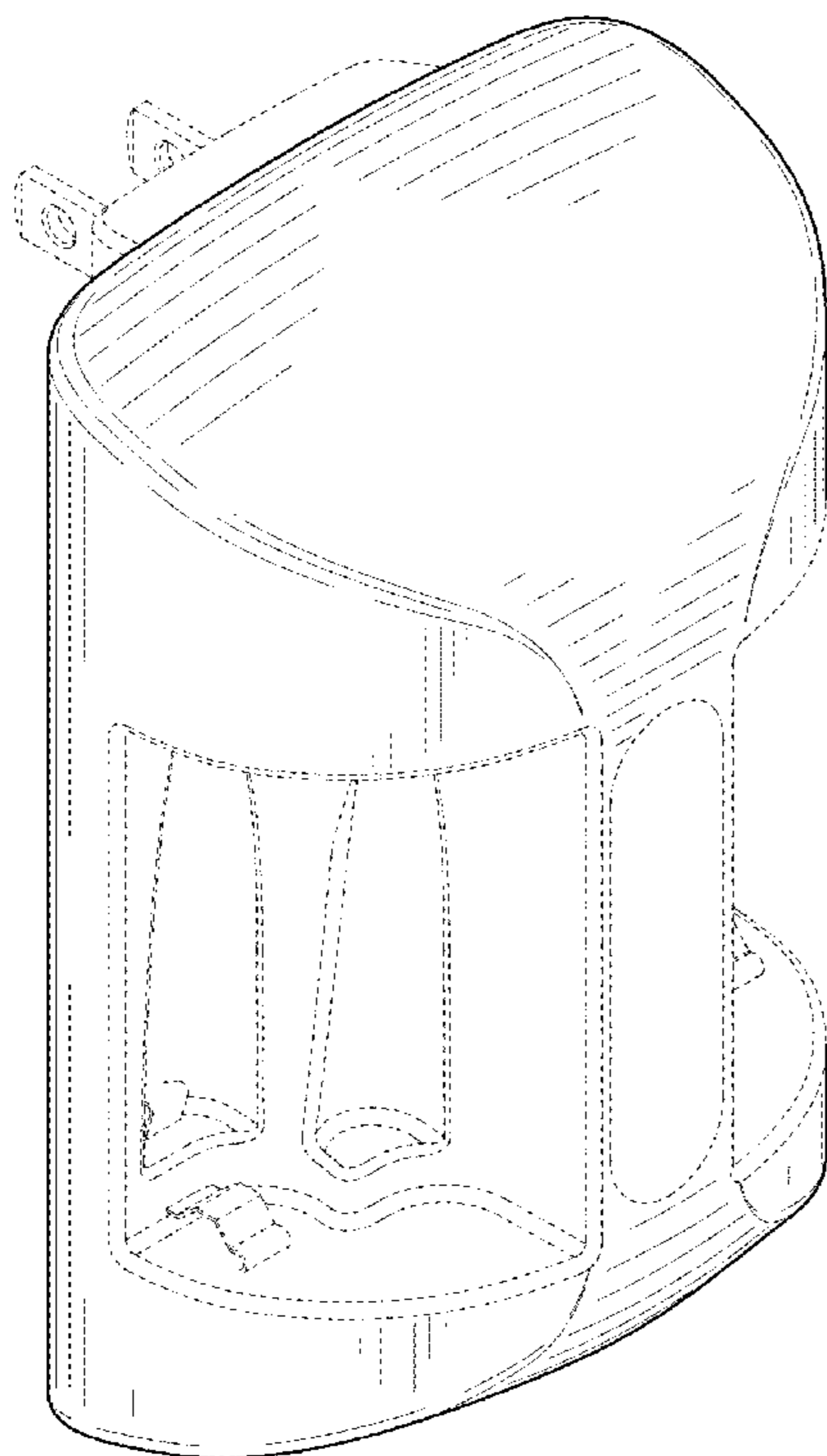
(57) **CLAIM**

We claim the ornamental design for a charger, as shown and described.

DESCRIPTION

FIG. 1 is a top perspective view of the design.
FIG. 2 is a bottom perspective view of the design.
FIG. 3 is a front view of the design.
FIG. 4 is a rear view of the design.
FIG. 5 is a left side view of the design. The right side view of the design is a mirror image of the left side view.
FIG. 6 is a top view of the design; and,
FIG. 7 is a bottom view of the design.
Any broken line(s) shown are for illustrative purposes only and form no part of the claimed design.

1 Claim, 4 Drawing Sheets



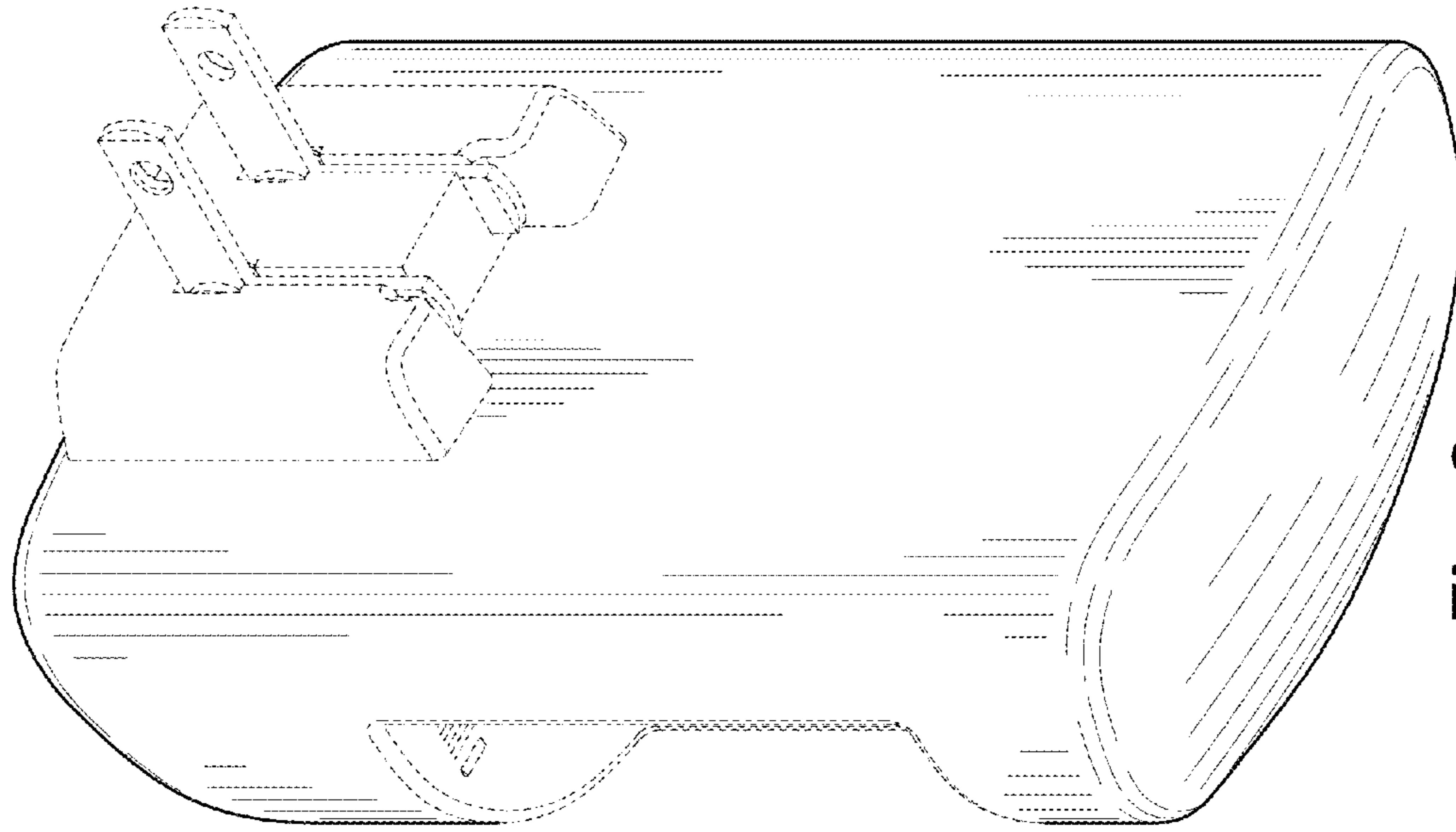


Fig. 2

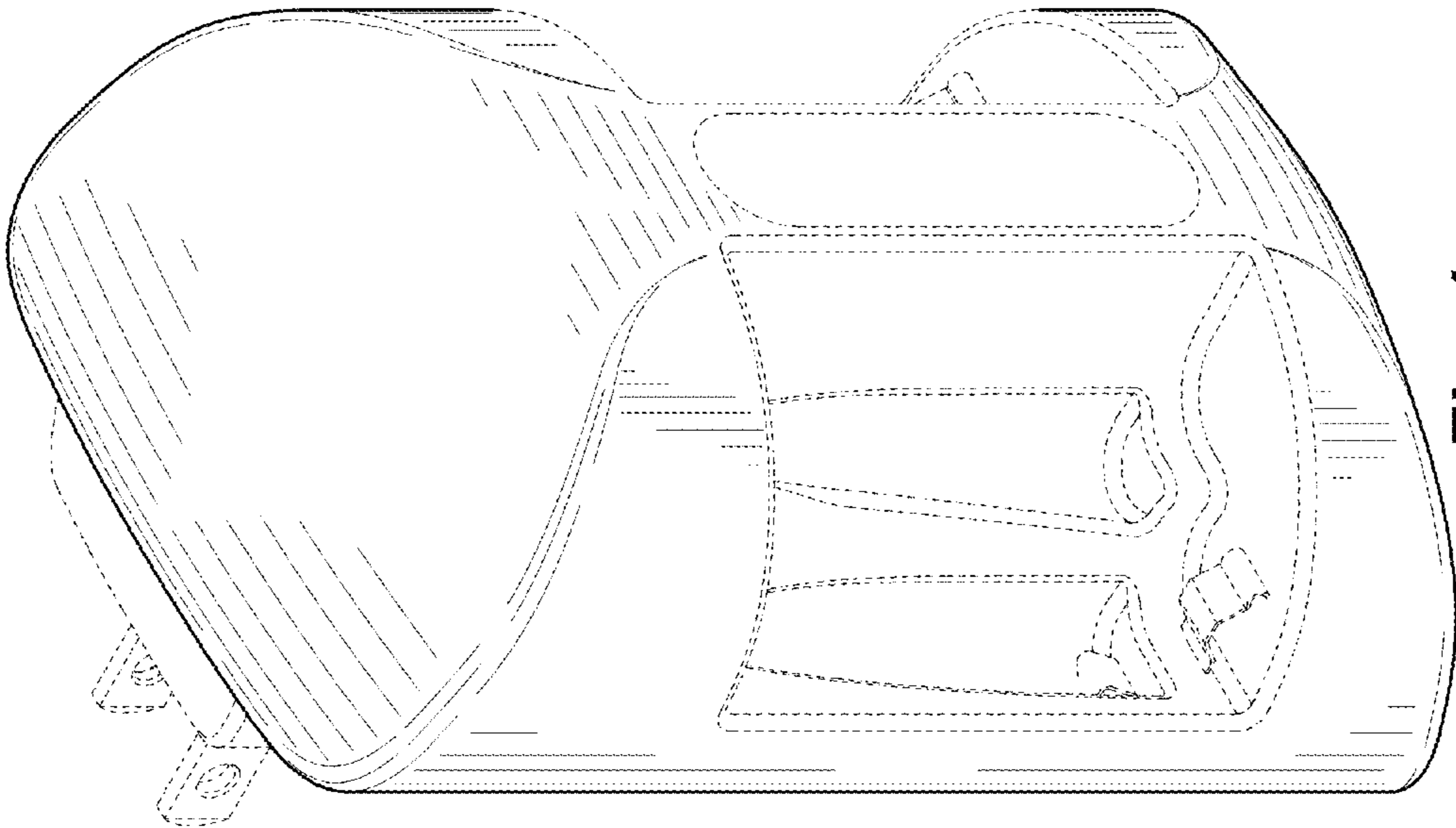


Fig. 1

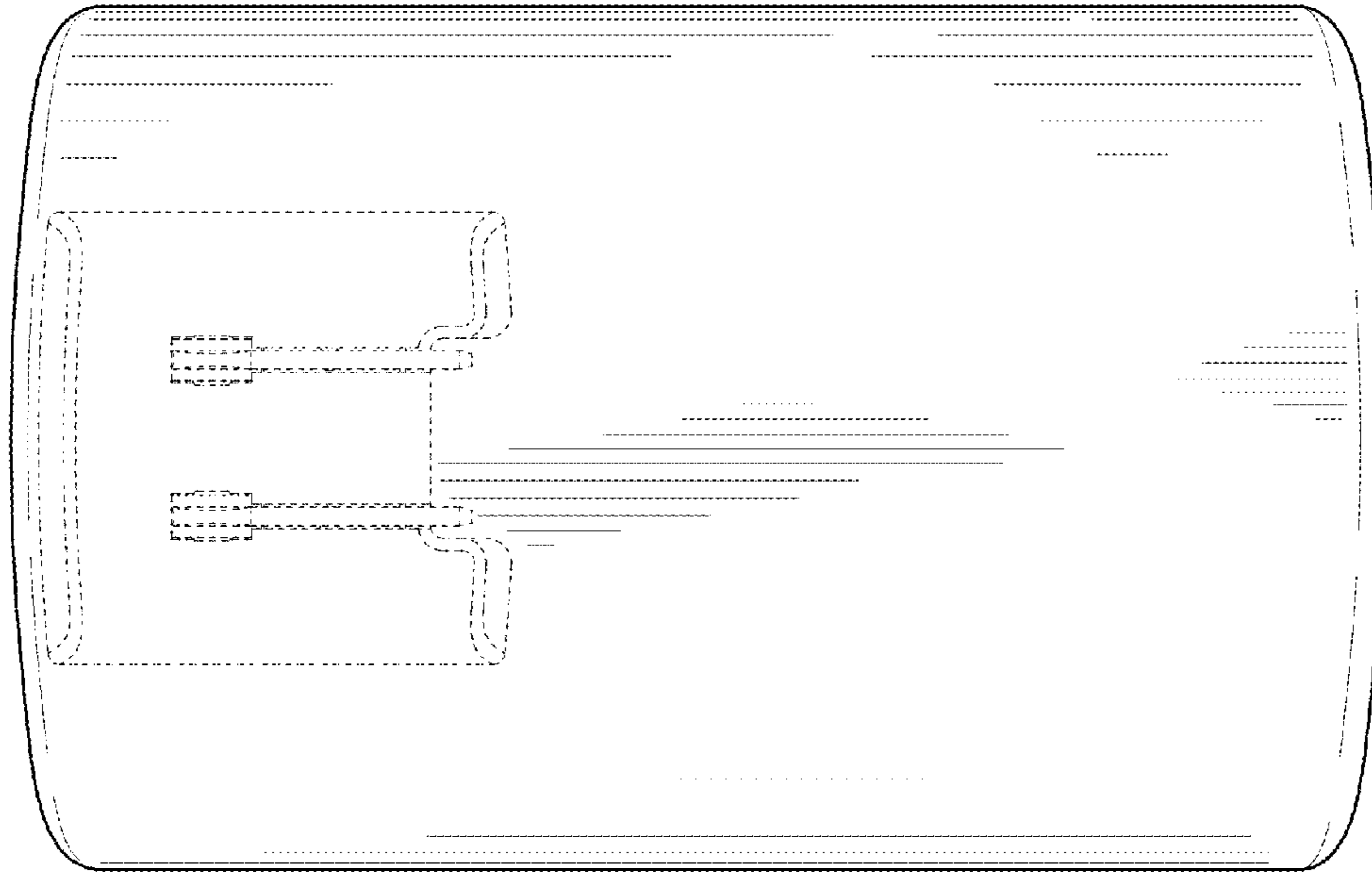


Fig. 4

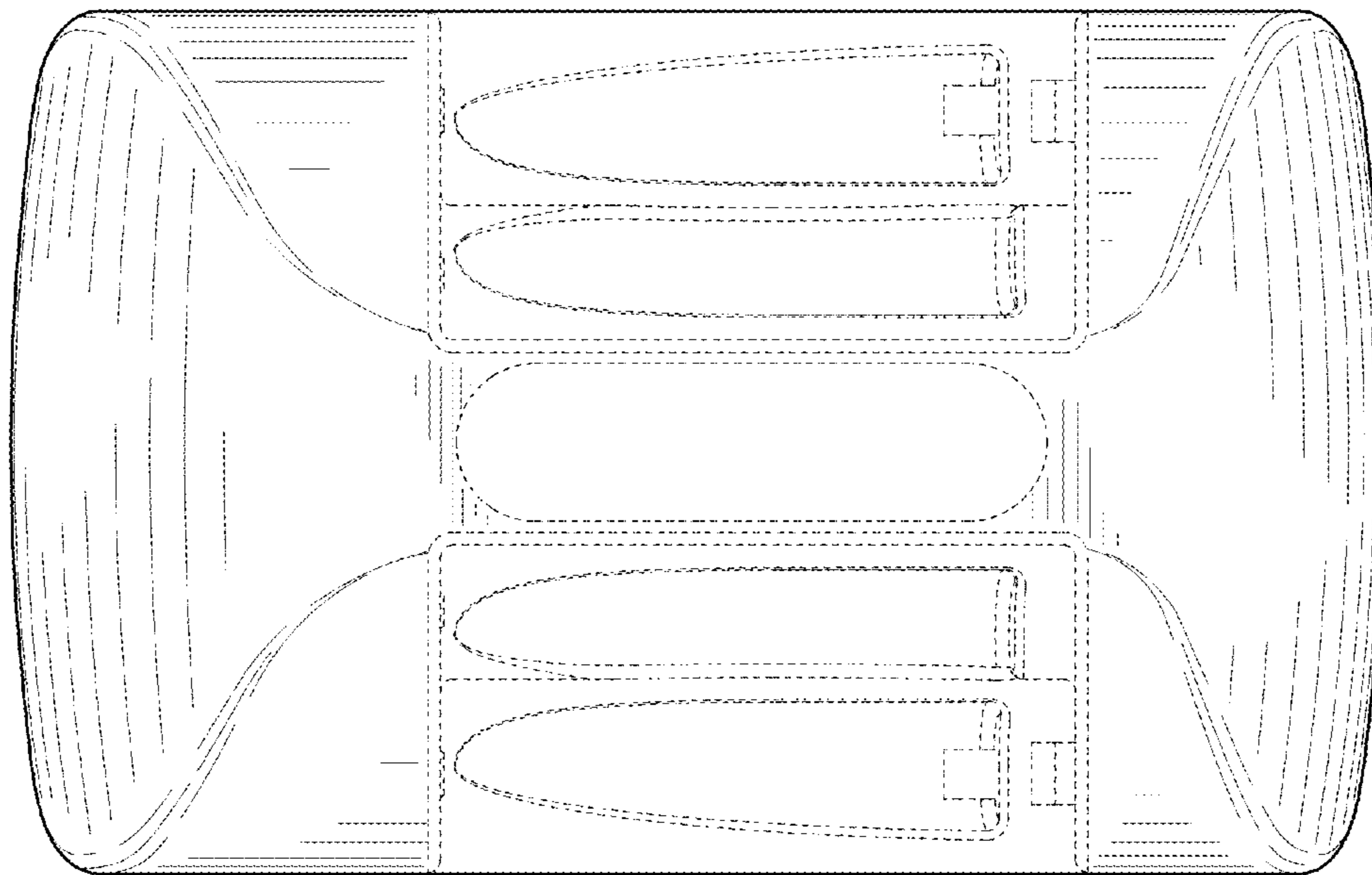


Fig. 3

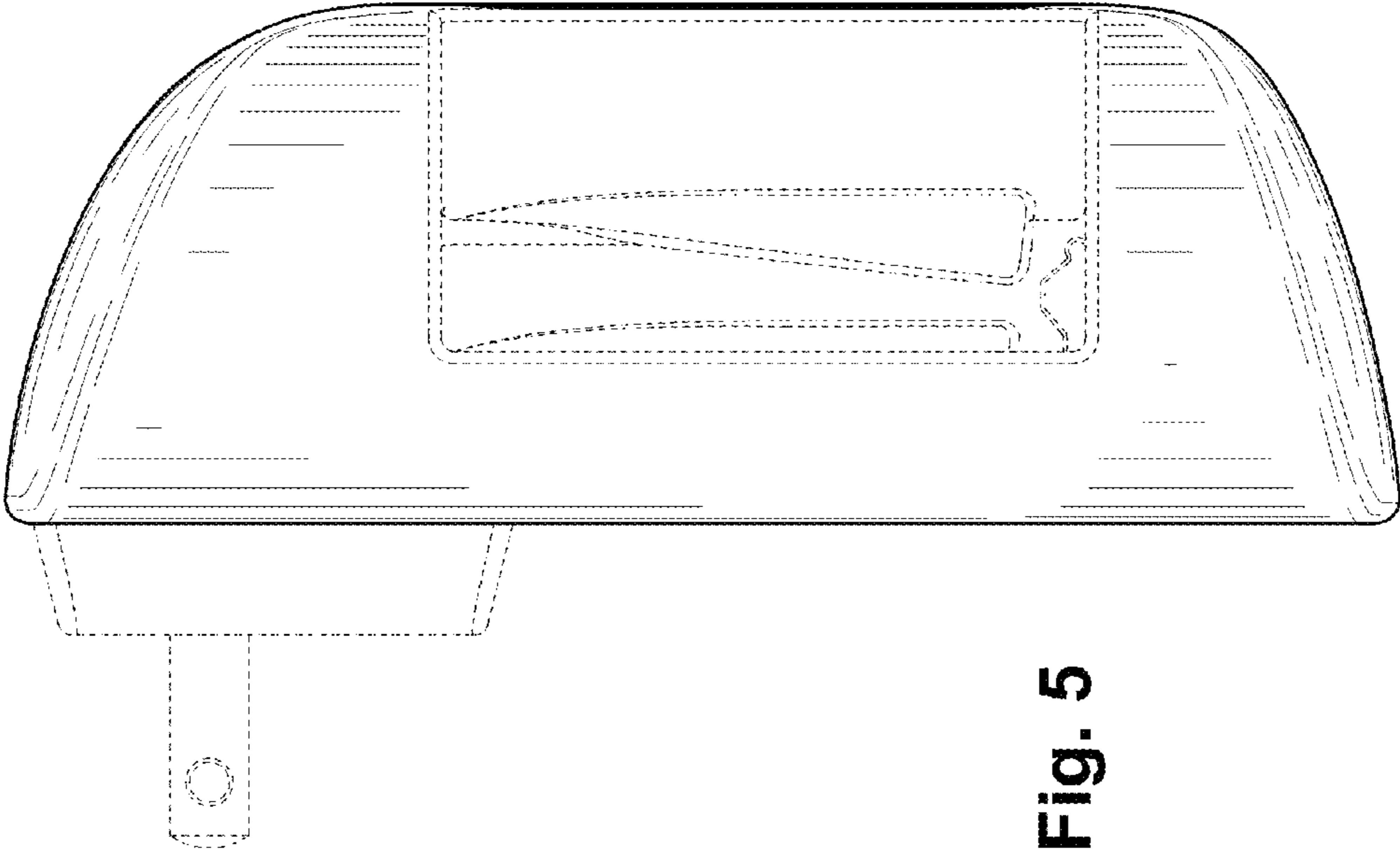


Fig. 5

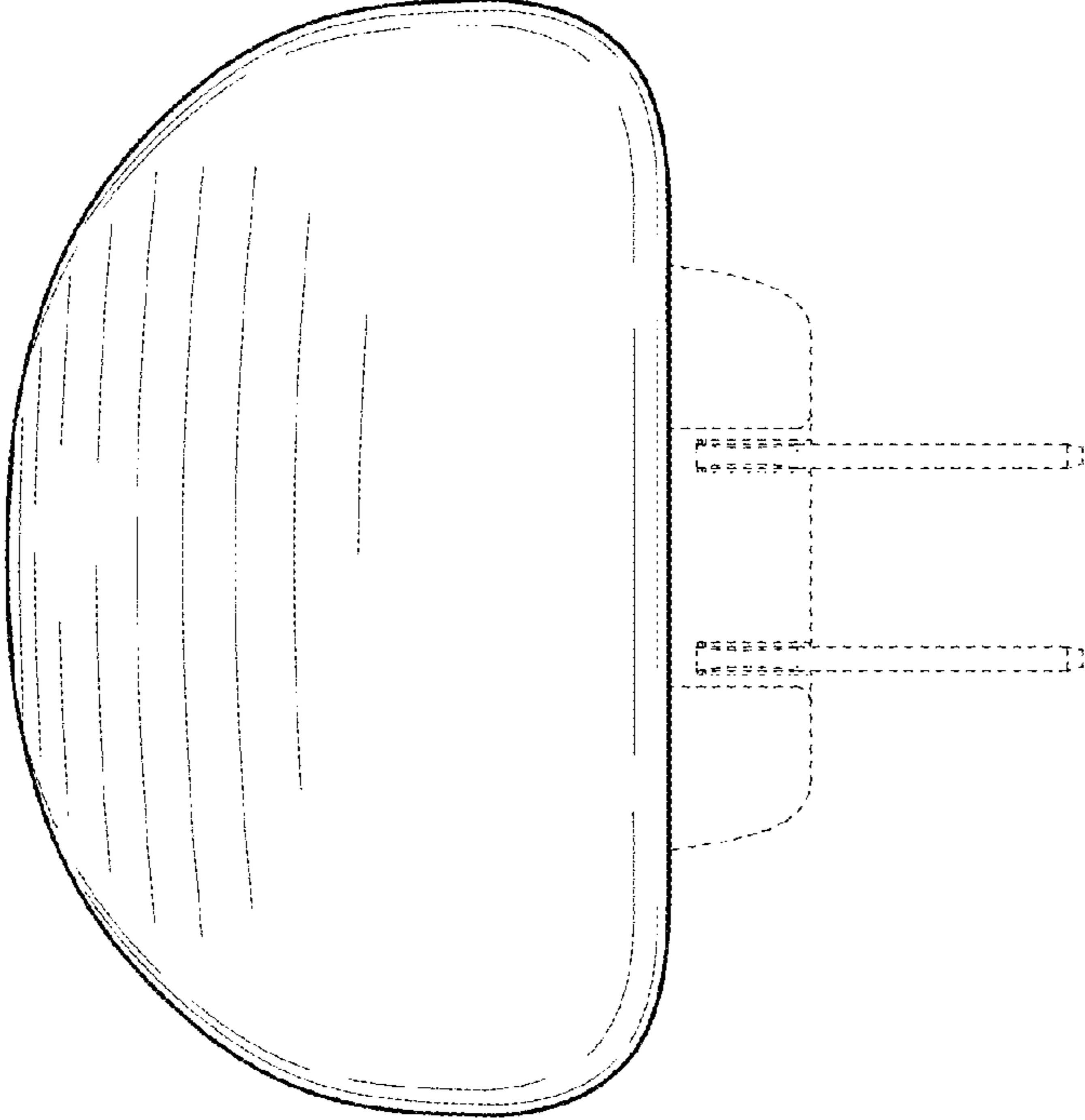


Fig. 6

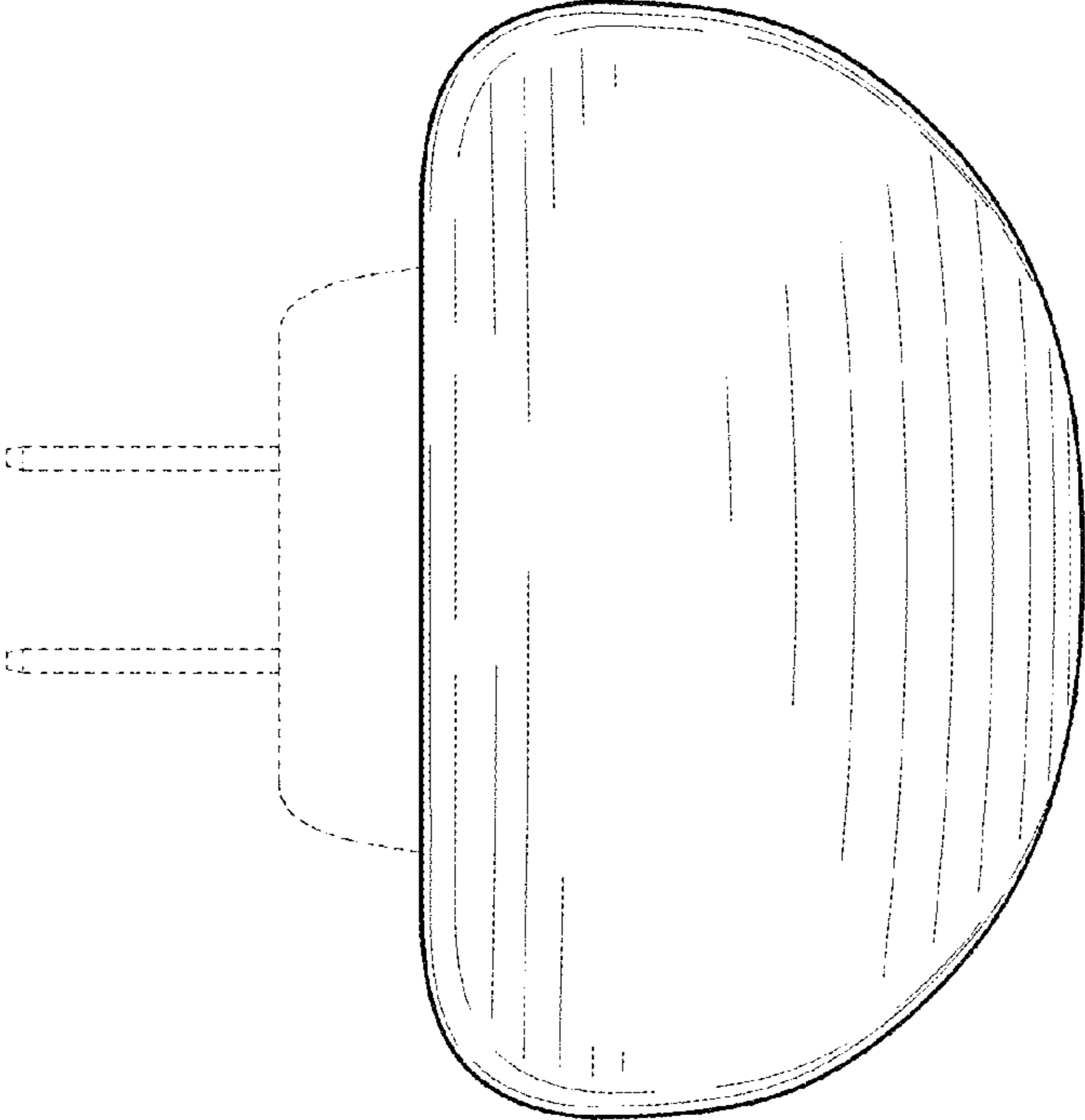


Fig. 7