



US00D694703S

(12) **United States Design Patent**
Faro

(10) **Patent No.:** **US D694,703 S**
(45) **Date of Patent:** **** Dec. 3, 2013**

- (54) **BATTERY IN SHAPE OF BLOCK**
- (71) Applicant: **Kevin Faro**, Campell, CA (US)
- (72) Inventor: **Kevin Faro**, Campell, CA (US)
- (**) Term: **14 Years**
- (21) Appl. No.: **29/458,923**
- (22) Filed: **Jun. 24, 2013**
- (51) **LOC (9) Cl.** **13-02**
- (52) **U.S. Cl.**
USPC **D13/103**
- (58) **Field of Classification Search**
USPC D13/102–104, 110, 118–121, 184, 199;
429/96–100, 163, 176; D21/484, 500
See application file for complete search history.

D377,887 S *	2/1997	Credle, Jr.	D7/625
D408,823 S *	4/1999	Kirby	D14/240
D415,098 S *	10/1999	Zimmer	D13/103
D454,110 S *	3/2002	Andre et al.	D13/110
D463,383 S *	9/2002	Hwang	D13/184
D464,031 S *	10/2002	Gillingham	D13/184
D465,816 S *	11/2002	Sorensen	D21/500
D507,523 S *	7/2005	Resch et al.	D13/103
D608,300 S *	1/2010	Boyland et al.	D13/162
D619,104 S *	7/2010	Boyland et al.	D13/162
D657,739 S *	4/2012	Miyawaki et al.	D13/104

* cited by examiner

Primary Examiner — Rosemary K Tarcza
(74) *Attorney, Agent, or Firm* — Steven A. Nielsen; Allman & Nielsen, P.C.

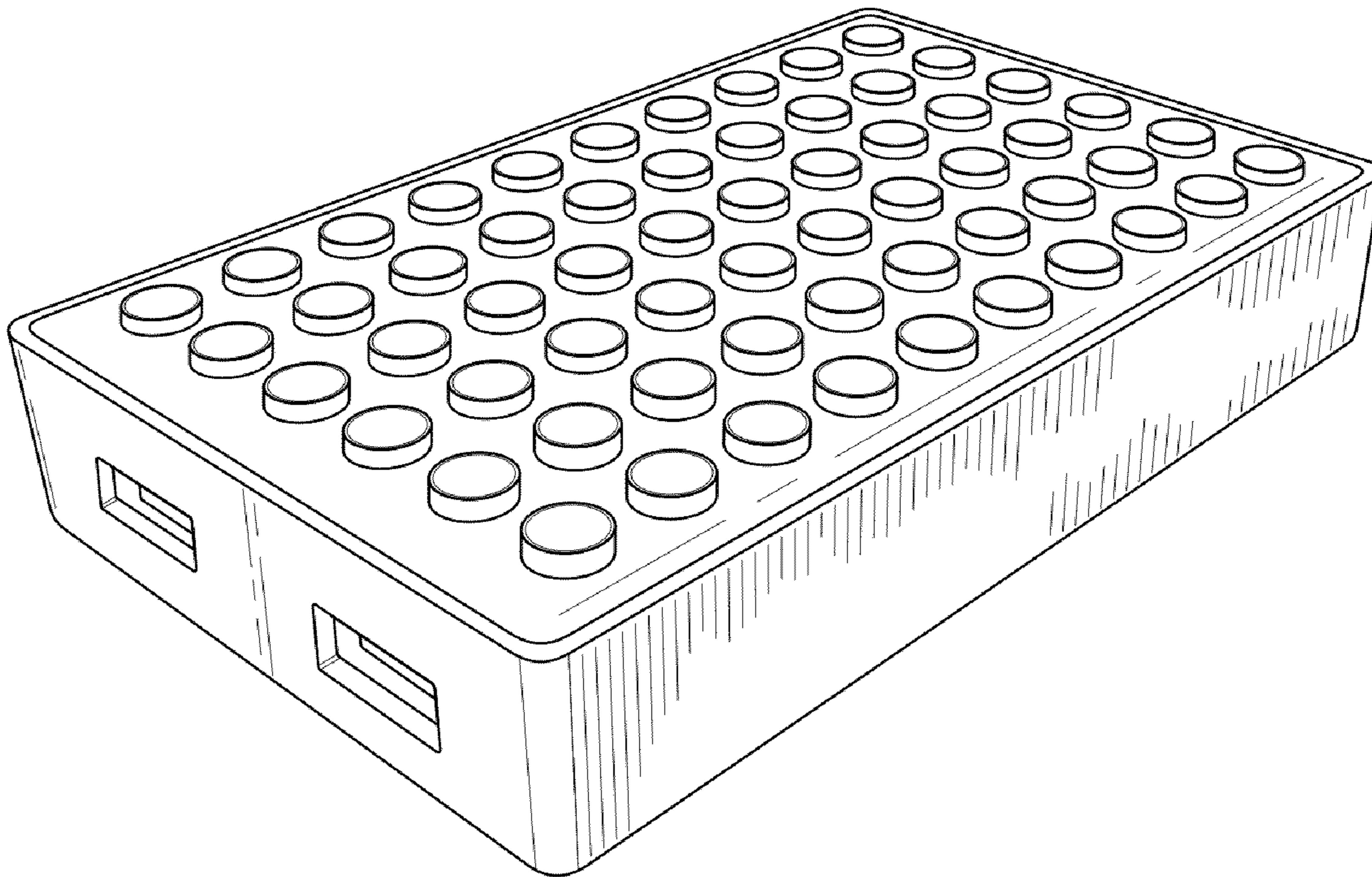
(57) **CLAIM**
The ornamental design for a battery in shape of block, as shown described.

DESCRIPTION

FIG. 1 is a top front perspective view of the claimed battery in shape of block;
FIG. 2 is a right side view thereof;
FIG. 3 is a left side view thereof;
FIG. 4 is a top plan view thereof and a bottom view thereof, the two views being the same;
FIG. 5 is a front side view thereof; and,
FIG. 6 is a back side view thereof.

- (56) **References Cited**
U.S. PATENT DOCUMENTS
- | | | | |
|--------------|---------|---------------------|---------|
| D252,978 S * | 9/1979 | Bayly | D9/640 |
| D252,981 S * | 9/1979 | Fenton | D9/640 |
| D286,872 S * | 11/1986 | Beidler | D13/119 |
| D317,477 S * | 6/1991 | Poulsen | D21/528 |
| D325,477 S * | 4/1992 | Poulsen et al. | D6/432 |
| D362,875 S * | 10/1995 | Vognsen | D21/500 |
| D371,281 S * | 7/1996 | Credle, Jr. | D7/625 |

1 Claim, 2 Drawing Sheets



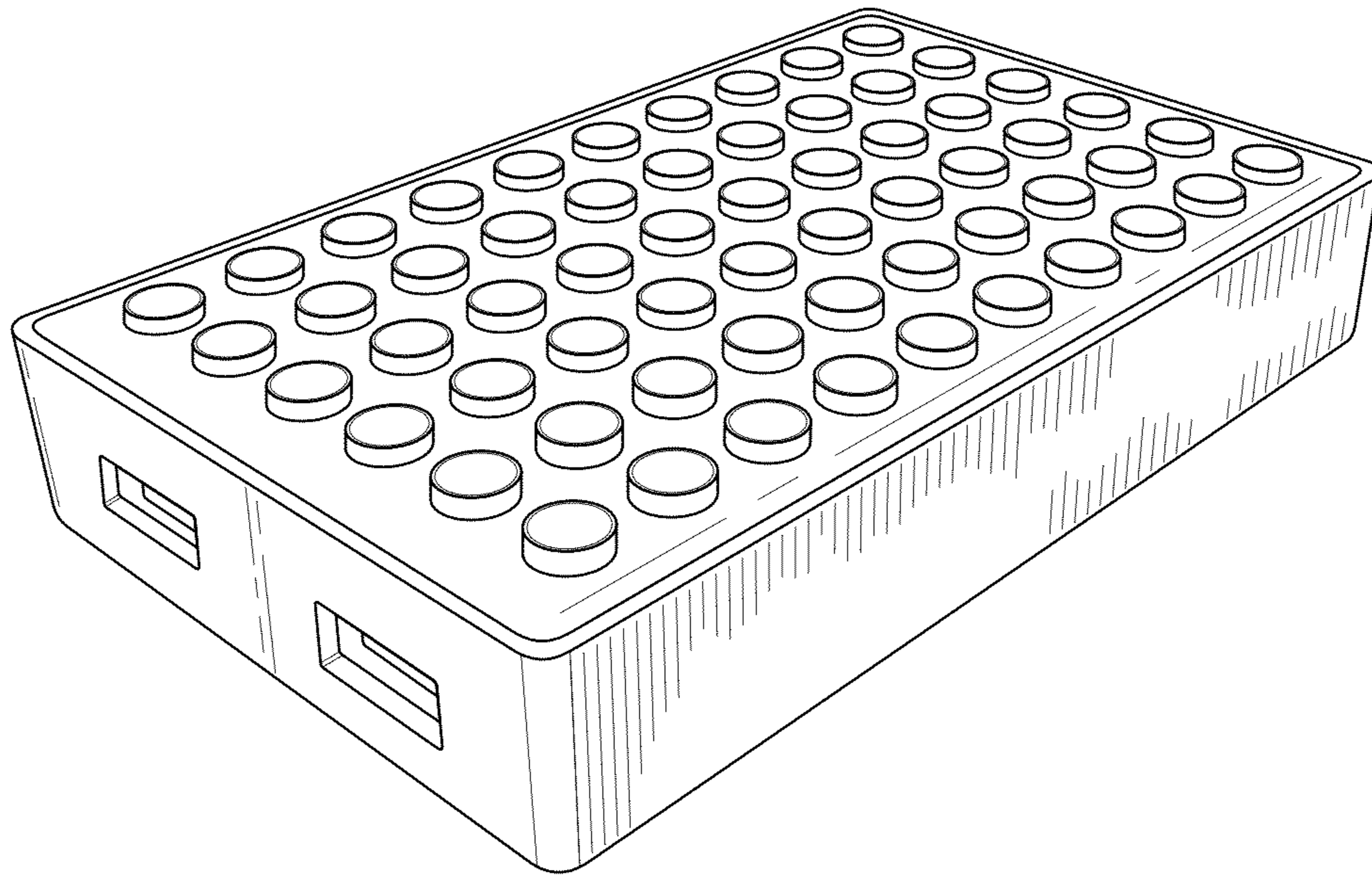


FIG. 1

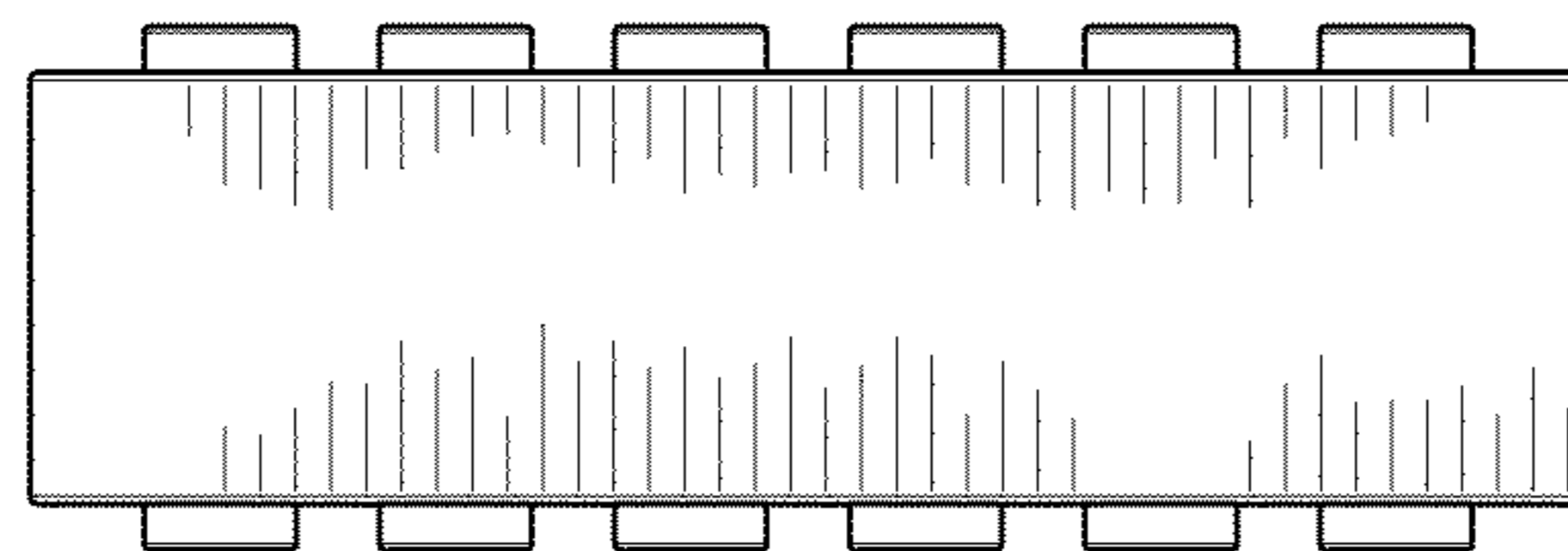


FIG. 2

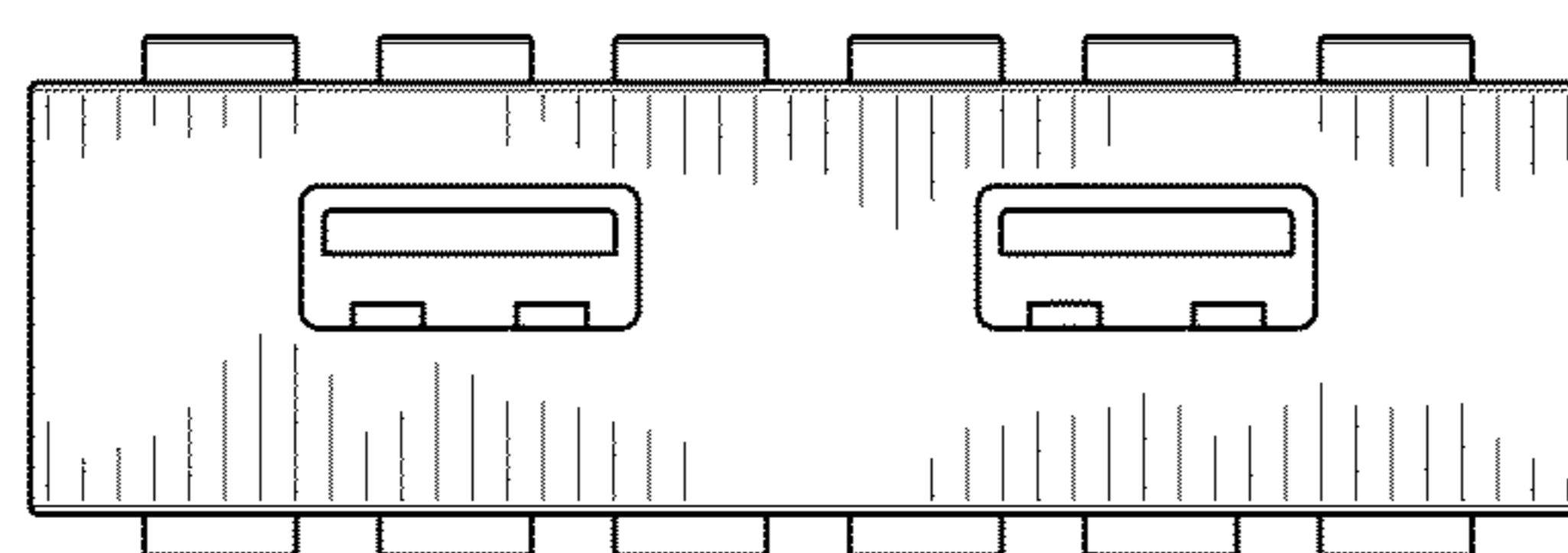


FIG. 3

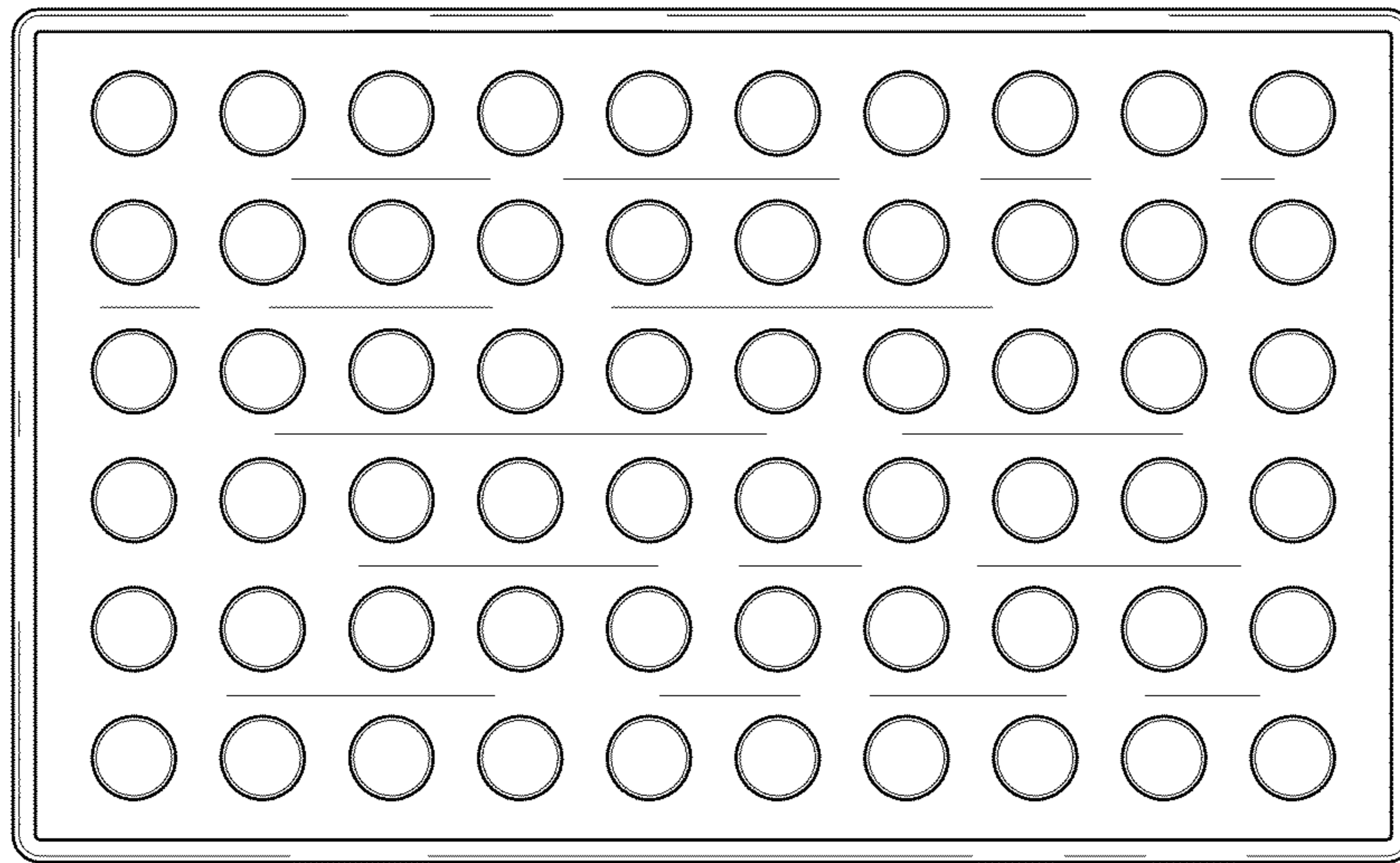


FIG. 4

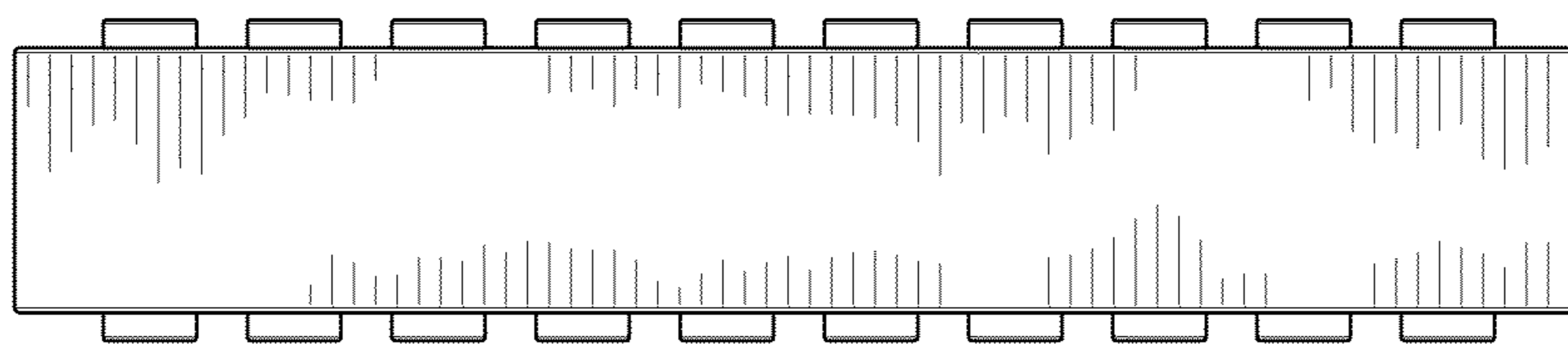


FIG. 5

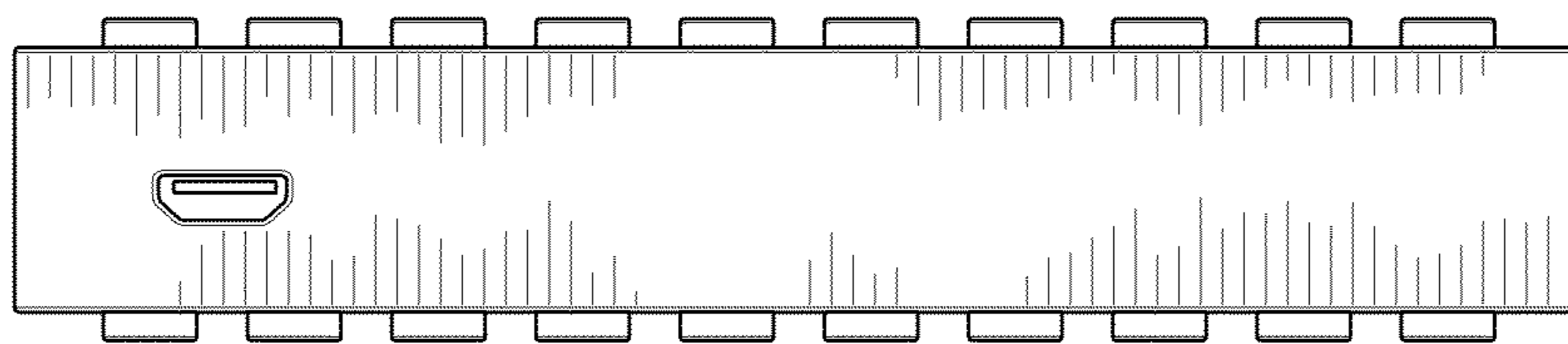


FIG. 6