



US00D694700S

(12) **United States Design Patent**  
**Sankey et al.**

(10) **Patent No.:** **US D694,700 S**

(45) **Date of Patent:** **\*\* Dec. 3, 2013**

(54) **PAIR OF BEDRAILS FOR A PICK-UP TRUCK**

(76) Inventors: **Robert A. Sankey**, Stevens Point, WI (US); **Sean D. Sankey**, Stevens Point, WI (US)

(\*\*) Term: **14 Years**

(21) Appl. No.: **29/374,758**

(22) Filed: **Sep. 29, 2011**

(51) **LOC (9) Cl.** ..... **12-16**

(52) **U.S. Cl.**  
USPC ..... **D12/414**

(58) **Field of Classification Search**  
USPC ..... D12/414; D32/35, 58; D6/317-319, D6/513-514; 206/213, 8, 9, 279, 290, 713, 206/335

See application file for complete search history.

(56) **References Cited**

**U.S. PATENT DOCUMENTS**

D382,533 S \* 8/1997 Okland ..... D12/414  
5,967,719 A \* 10/1999 Davenport ..... 410/106  
6,312,202 B1 \* 11/2001 Benedict ..... 410/116  
D497,589 S \* 10/2004 Elwell et al. .... D12/414

D631,819 S \* 2/2011 Taylor ..... D12/414  
2004/0240958 A1 \* 12/2004 Yang ..... 410/106  
2009/0243331 A1 \* 10/2009 Spencer et al. .... 296/100.01

\* cited by examiner

*Primary Examiner* — Katrina A Betton

(74) *Attorney, Agent, or Firm* — Thomas J. Connelly; Wilhelm Law, S.C.

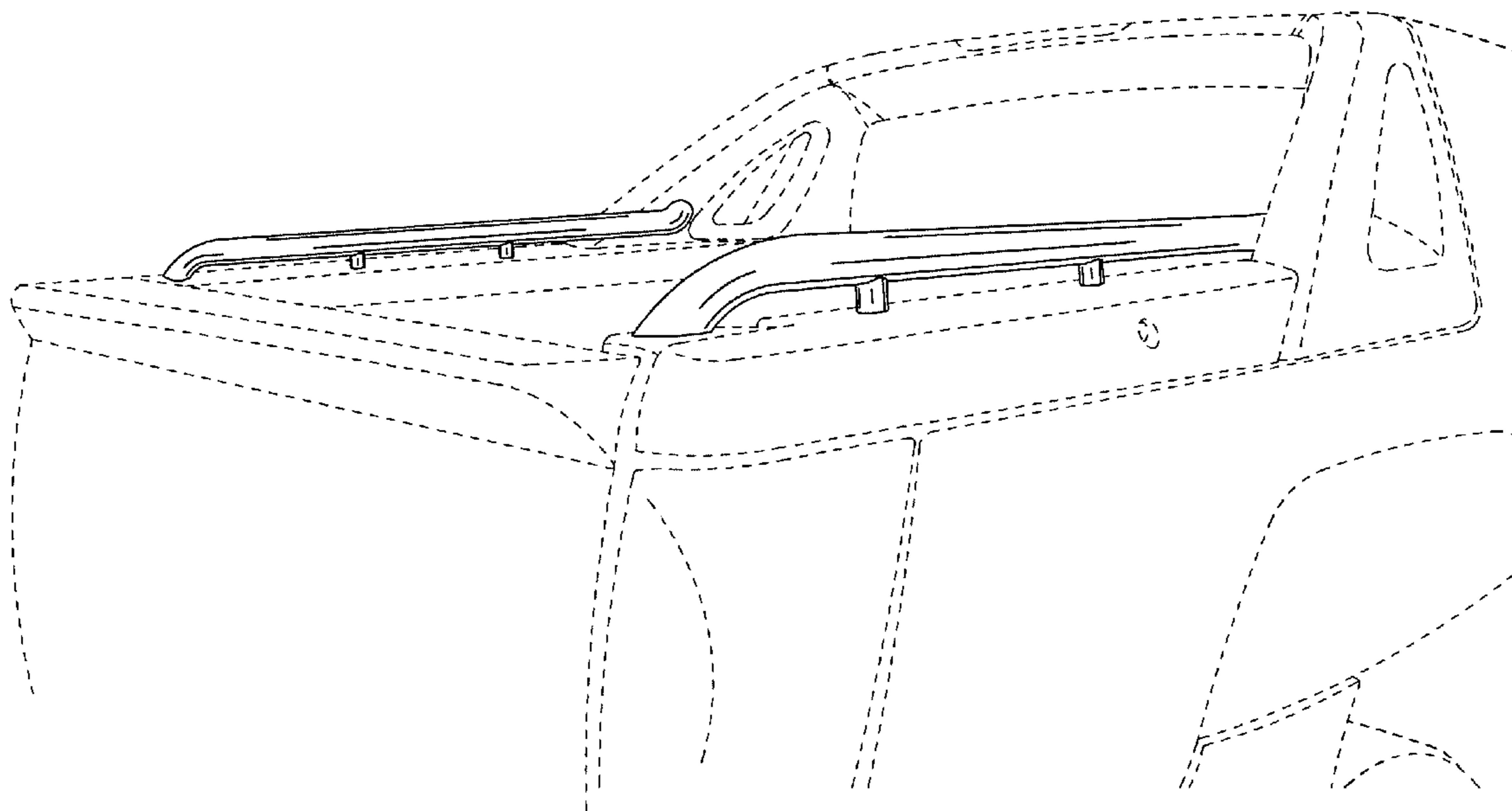
(57) **CLAIM**

The ornamental design for a pair of bedrails for a pick-up truck, as shown and described.

**DESCRIPTION**

FIG. 1 is a perspective view of a bedrail for a pick-up truck. FIG. 2 is a left end view of the bedrail shown in FIG. 1. FIG. 3 is right end view of the bedrail shown in FIG. 1. FIG. 4 is side view of the left-side bedrail for a pick-up truck. FIG. 5 is a side view of the right-side bedrail for a pick-up truck. FIG. 6 is a bottom view of the bedrail shown in FIG. 1. FIG. 7 is a top view of the bedrail shown in FIG. 1; and, FIG. 8 is a perspective view of the left and right bedrails secured to a pick-up truck. In the drawings, the broken lines in FIG. 8 depict a truck and form no part of the claimed design.

**1 Claim, 4 Drawing Sheets**



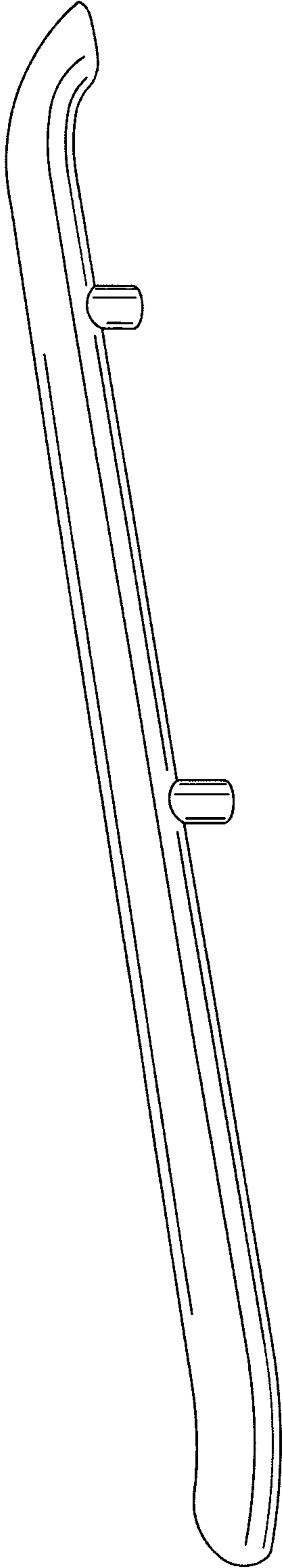


FIG. 1

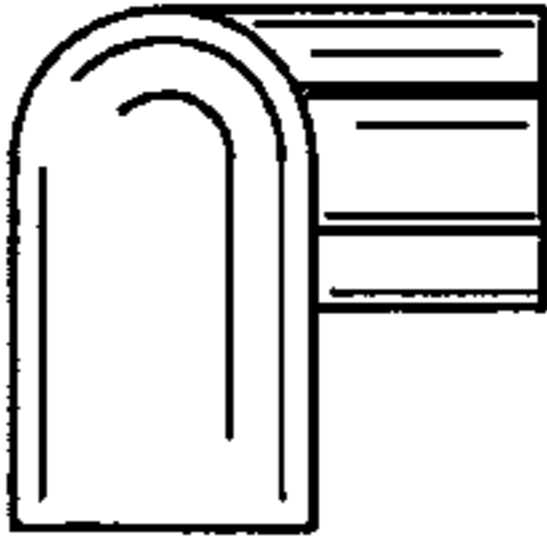


FIG. 2

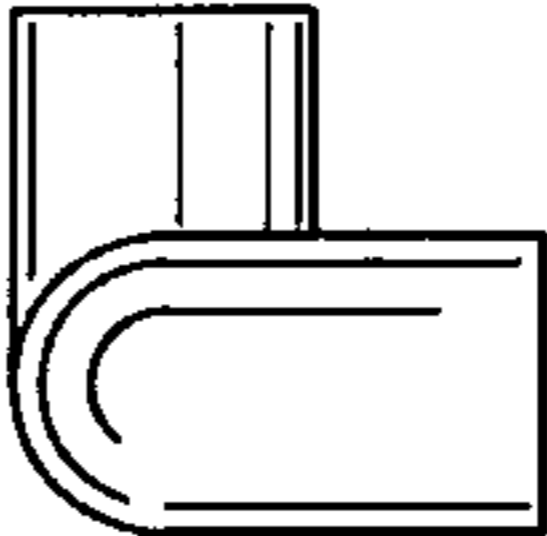


FIG. 3

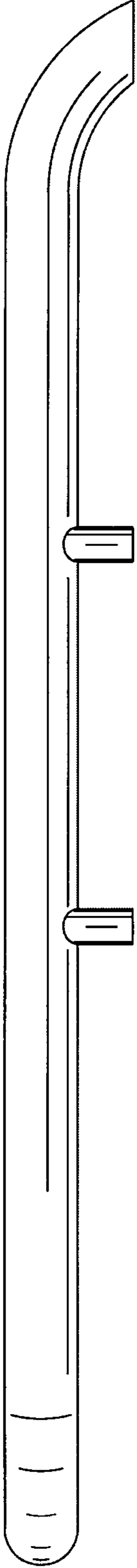


FIG. 4

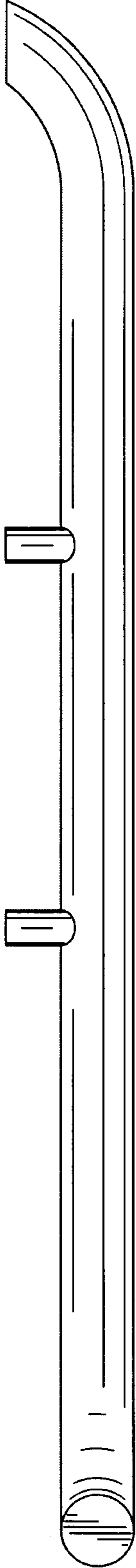
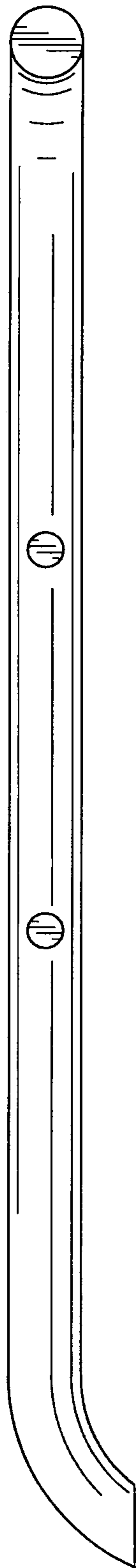
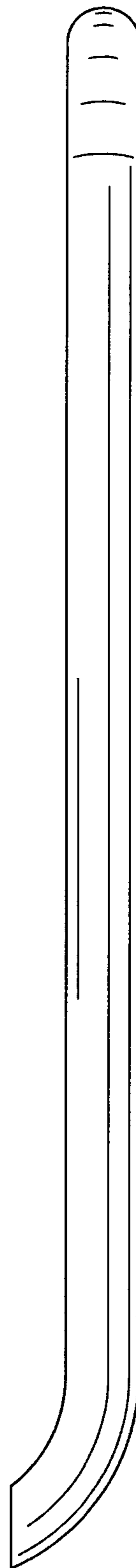


FIG. 5



**FIG. 6**



**FIG. 7**

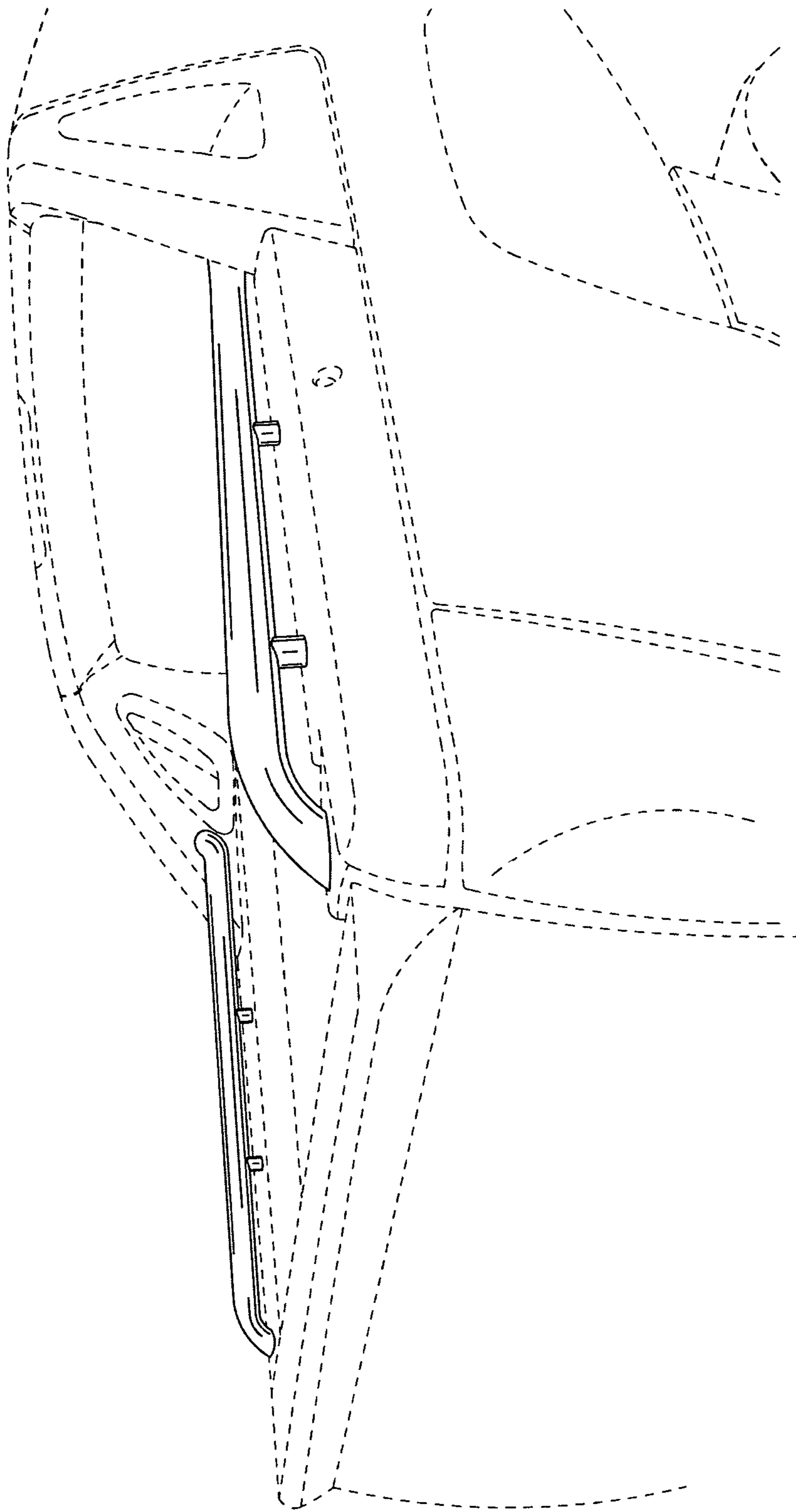


FIG. 8