

US00D694698S

(12) **United States Design Patent**
Pudsey et al.

(10) **Patent No.:** **US D694,698 S**
(45) **Date of Patent:** **** Dec. 3, 2013**

(54) **FULL ROUND TENDER/JETSKI CHOCK**

(71) Applicants: **Gordon Pudsey**, Fort Lauderdale, FL (US); **Jason Eulette**, Sunrise, FL (US)

(72) Inventors: **Gordon Pudsey**, Fort Lauderdale, FL (US); **Jason Eulette**, Sunrise, FL (US)

(73) Assignee: **Gordon Pudsey**, Plantation, FL (US)

(**) Term: **14 Years**

(21) Appl. No.: **29/446,493**

(22) Filed: **Feb. 25, 2013**

(51) **LOC (9) Cl.** **12-06**

(52) **U.S. Cl.**
USPC **D12/317**

(58) **Field of Classification Search**
USPC D12/217, 317; 114/39.15, 44, 258, 259, 114/365, 371, 381; 248/405; 441/79
See application file for complete search history.

(56) **References Cited**

U.S. PATENT DOCUMENTS

756,661 A * 4/1904 Lemm 114/381
D268,409 S * 3/1983 Moussette D12/217
4,895,096 A * 1/1990 Goodwin et al. 114/381

D306,416 S * 3/1990 Godbersen D12/106
5,884,885 A * 3/1999 Schmidt, Jr. 114/259
6,321,678 B1 * 11/2001 Skulnick 114/381
6,422,167 B1 * 7/2002 Bridges 114/44
6,513,260 B2 * 2/2003 Krajec et al. 33/645
8,181,586 B1 * 5/2012 Roumell 114/44
2009/0320739 A1 * 12/2009 Clark et al. 114/381

OTHER PUBLICATIONS

<http://reelboating.com/forums/index.php/topic/4915-chocks-for-jet-ski-tender-dinghy/> posted online Sep. 29, 2010, accessed via online search Sep. 9, 2013.*

* cited by examiner

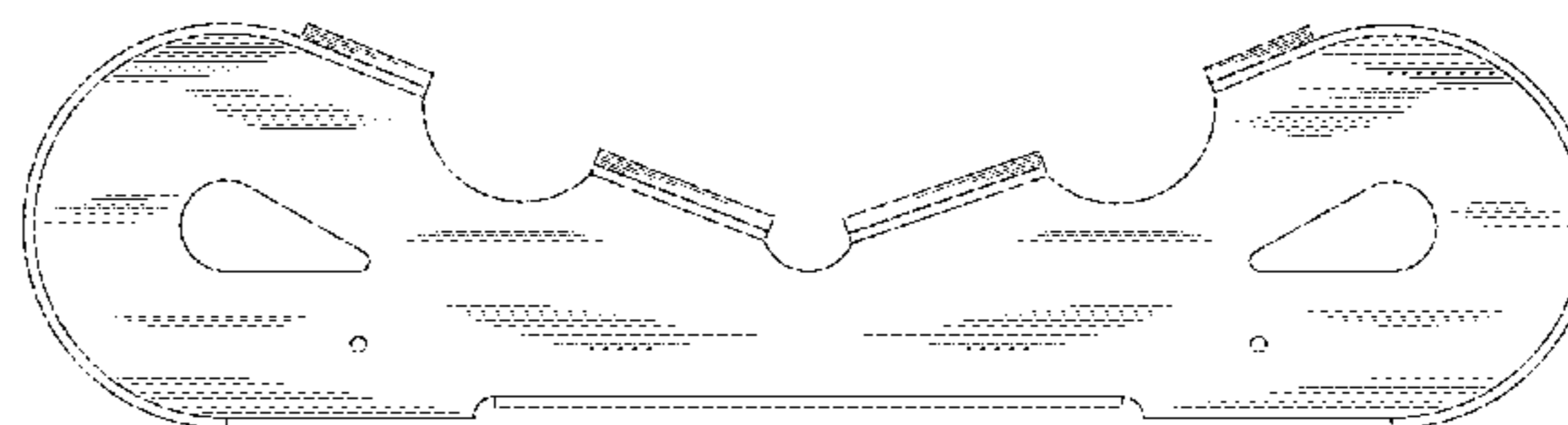
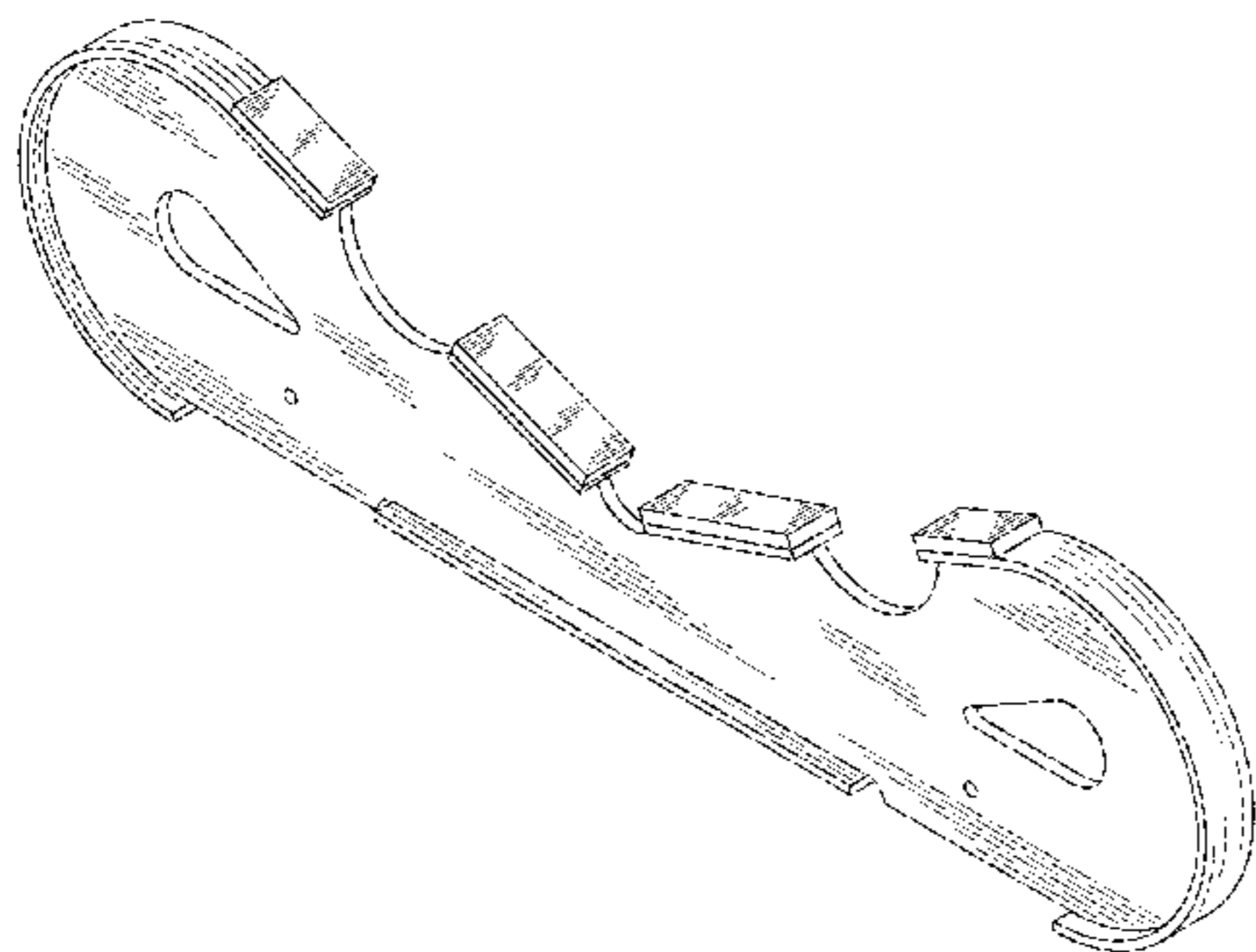
Primary Examiner — Cynthia M Chin

(57) **CLAIM**
What is claimed is the ornamental design for a full round tender/jetski chock, as shown and described.

DESCRIPTION

FIG. 1 is a front isometric view of the full round tender/jetski chock;
FIG. 2 is a front view thereof;
FIG. 3 is a back view thereof;
FIG. 4 is a left side view thereof;
FIG. 5 is a right side view thereof;
FIG. 6 is a top view thereof; and,
FIG. 7 is a bottom view thereof.

1 Claim, 5 Drawing Sheets



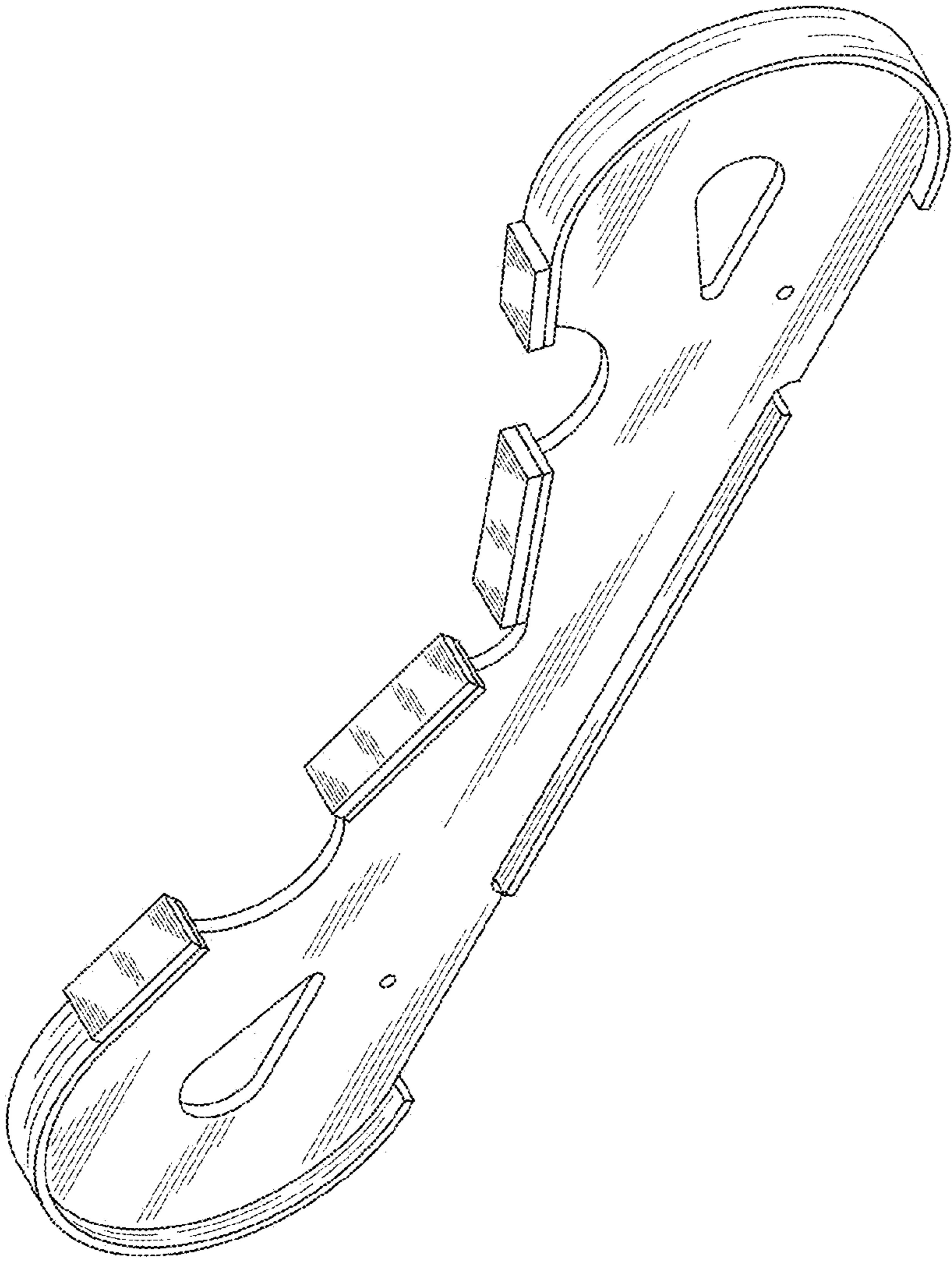


FIG. 1

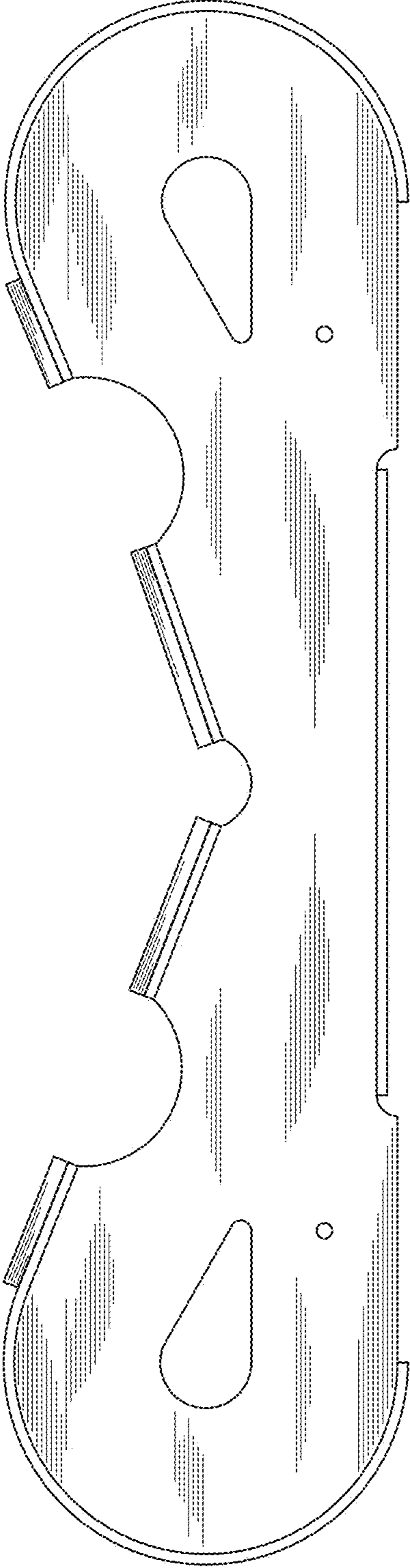


FIG. 2

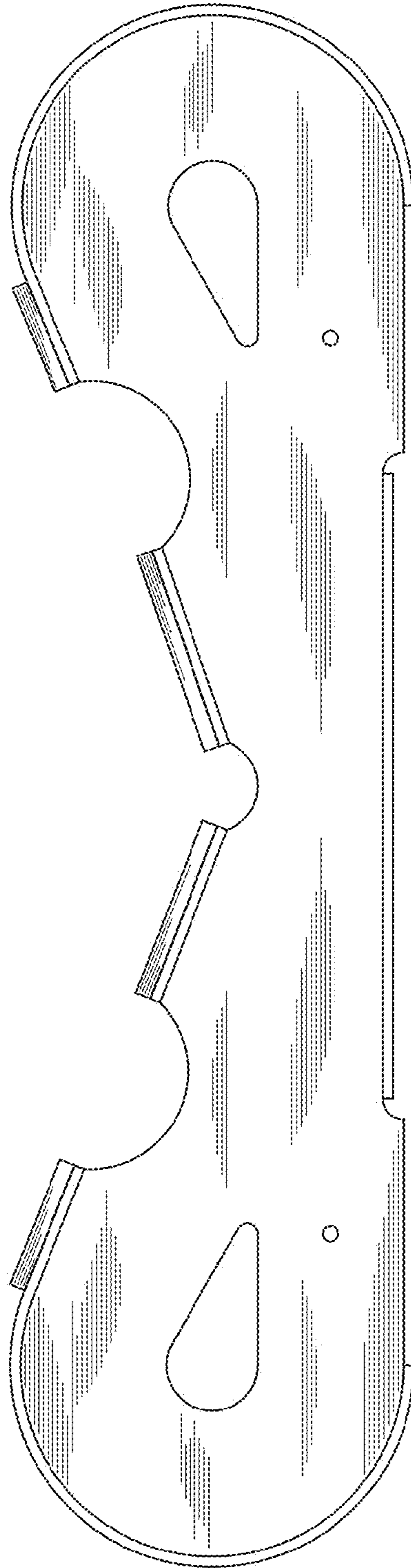


FIG. 3



FIG. 4



FIG. 5



FIG. 6



FIG. 7