



US00D694697S

(12) **United States Design Patent**
Kim

(10) **Patent No.:** **US D694,697 S**
(45) **Date of Patent:** **** Dec. 3, 2013**

(54) **ARM-BINDING CONNECTOR OF WIPER FOR AUTOMOBILES**

(75) Inventor: **In-Kyu Kim**, Gyeonggi-do (KR)

(73) Assignees: **ADM21 Co., Ltd.**, Chungcheongnam-do (KR); **In-Kyu Kim**, Gyeonggi-do (KR)

(**) Term: **14 Years**

(21) Appl. No.: **29/424,399**

(22) Filed: **Jun. 12, 2012**

(30) **Foreign Application Priority Data**

Mar. 13, 2012 (KR) 30-2012-0011820

(51) **LOC (9) Cl.** **12-06**

(52) **U.S. Cl.**
USPC **D12/219**

(58) **Field of Classification Search**
USPC D12/219-220; 15/246, 247, 250.001, 15/250.4, 250.361, 250.19, 250.48, 15/250.03, 250.31-250.33, 250.351, 15/250.38, 250.201, 250.451, 250.458, 15/250.04, 250.07, 250.44
See application file for complete search history.

(56) **References Cited**

U.S. PATENT DOCUMENTS

D152,888 S * 3/1949 Krohm D12/220
7,055,207 B2 * 6/2006 Coughlin 15/250.32
D597,465 S * 8/2009 Grasso et al. D12/220

D597,469 S * 8/2009 Grasso et al. D12/220
D597,470 S * 8/2009 Grasso et al. D12/220
2004/0123414 A1 * 7/2004 Lee 15/250.32
2007/0234501 A1 * 10/2007 Ho et al. 15/250.32
2008/0086830 A1 * 4/2008 Kim 15/250.32
2010/0154159 A1 * 6/2010 Baque 15/250.32
2010/0275402 A1 * 11/2010 Espinasse 15/250.32
2012/0079669 A1 * 4/2012 Yang et al. 15/250.32
2012/0186035 A1 * 7/2012 Lee 15/250.32
2012/0222231 A1 * 9/2012 Ku 15/250.32

* cited by examiner

Primary Examiner — Katrina A Betton

(74) *Attorney, Agent, or Firm* — Seed IP Law Group PLLC

(57) **CLAIM**

The ornamental design for a arm-binding connector of wiper for automobiles, as shown and described.

DESCRIPTION

FIG. 1 is a perspective view of the arm-binding connector of wiper for automobiles showing my new design.

FIG. 2 is a front view thereof.

FIG. 3 is a rear view thereof.

FIG. 4 is a left side view thereof.

FIG. 5 is a right side view thereof.

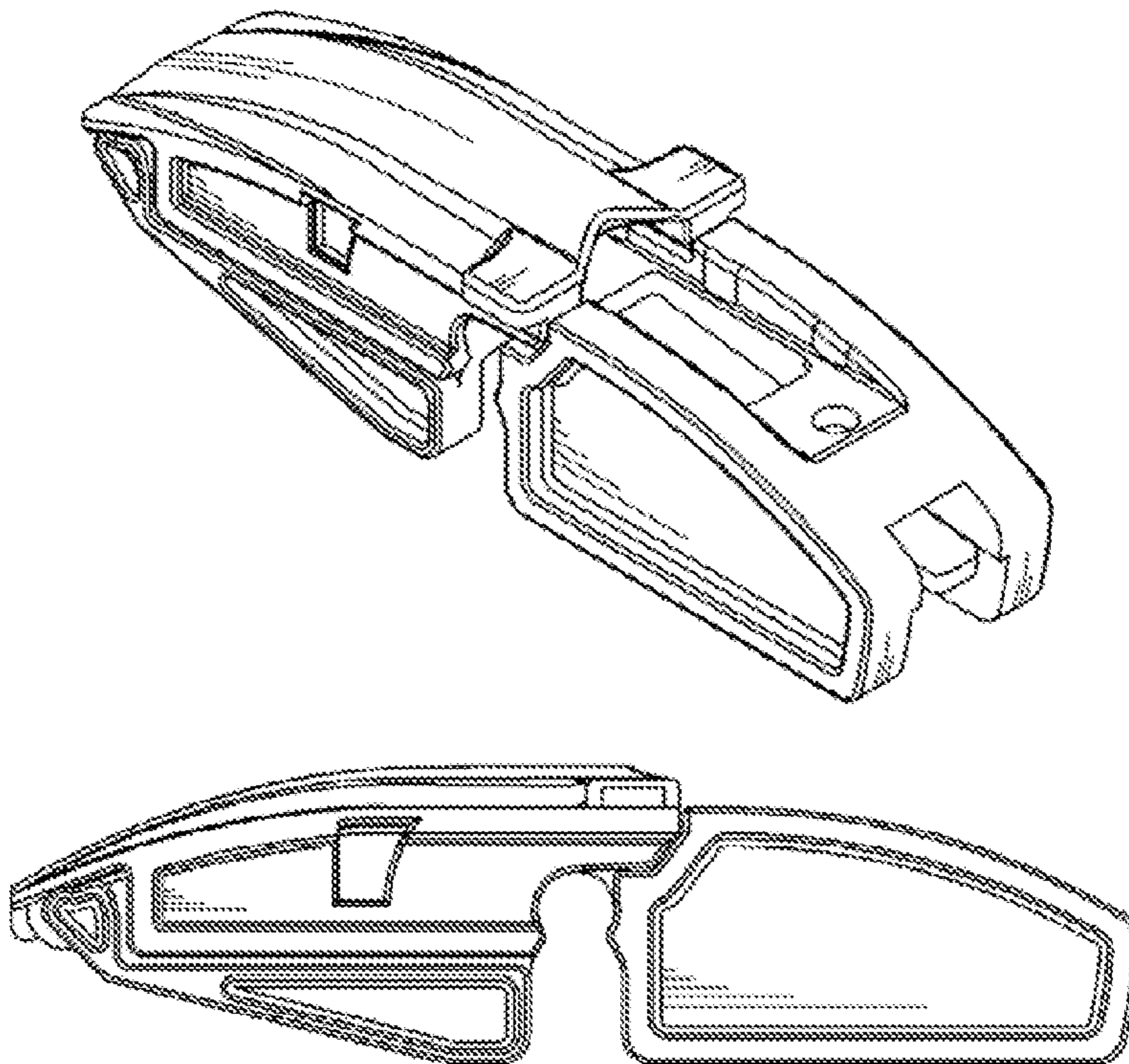
FIG. 6 is a top plan view thereof.

FIG. 7 is a bottom plan view thereof; and,

FIG. 8 is an isometric view showing the arm-binding connector in a state of use with a wiper for automobiles, the wiper shown in broken lines.

The broken lines shown in FIG. 8 are for the purpose of illustrating the state of use of the article of this design and forms no part of the claimed design.

1 Claim, 3 Drawing Sheets



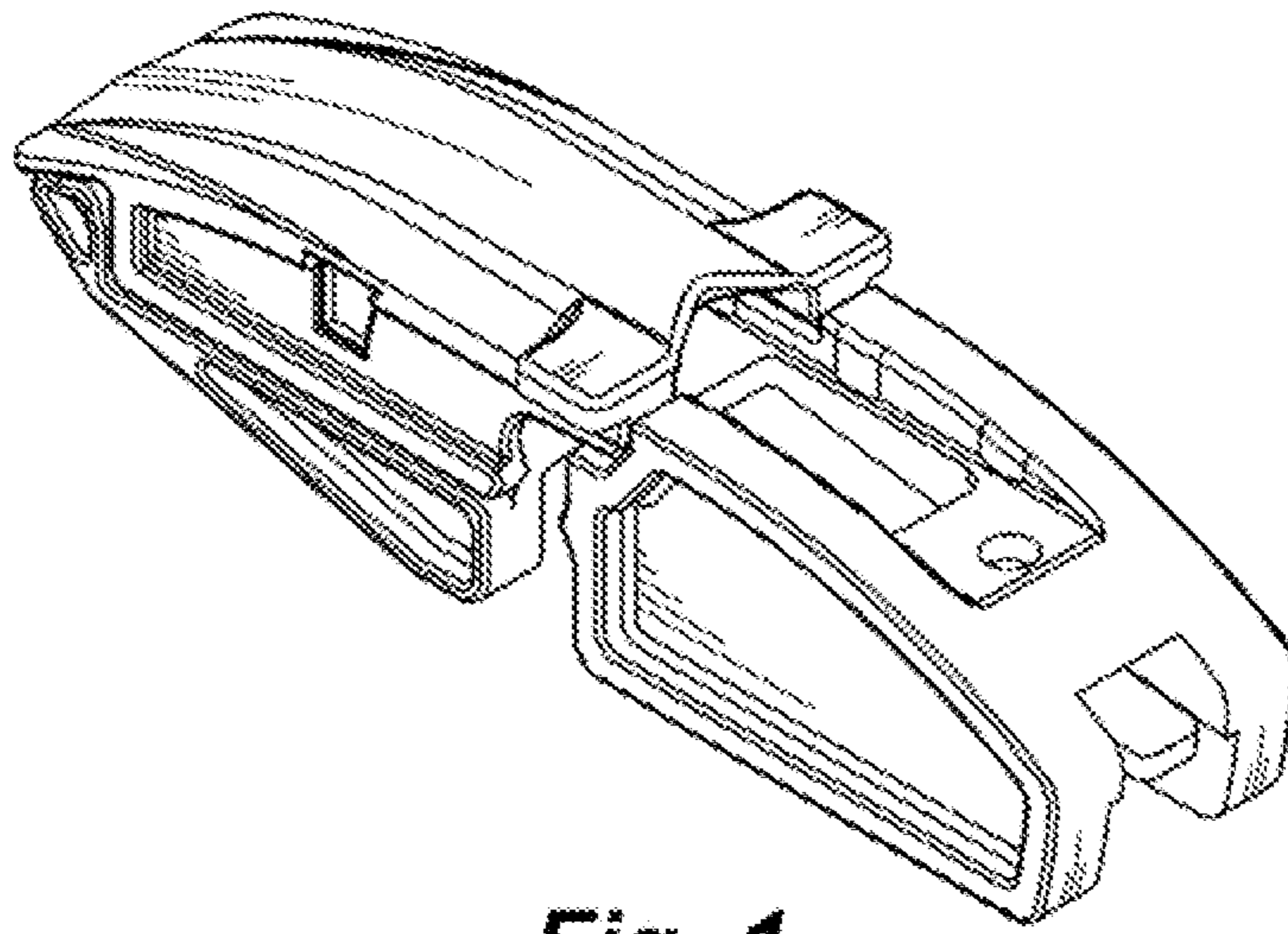


Fig. 1

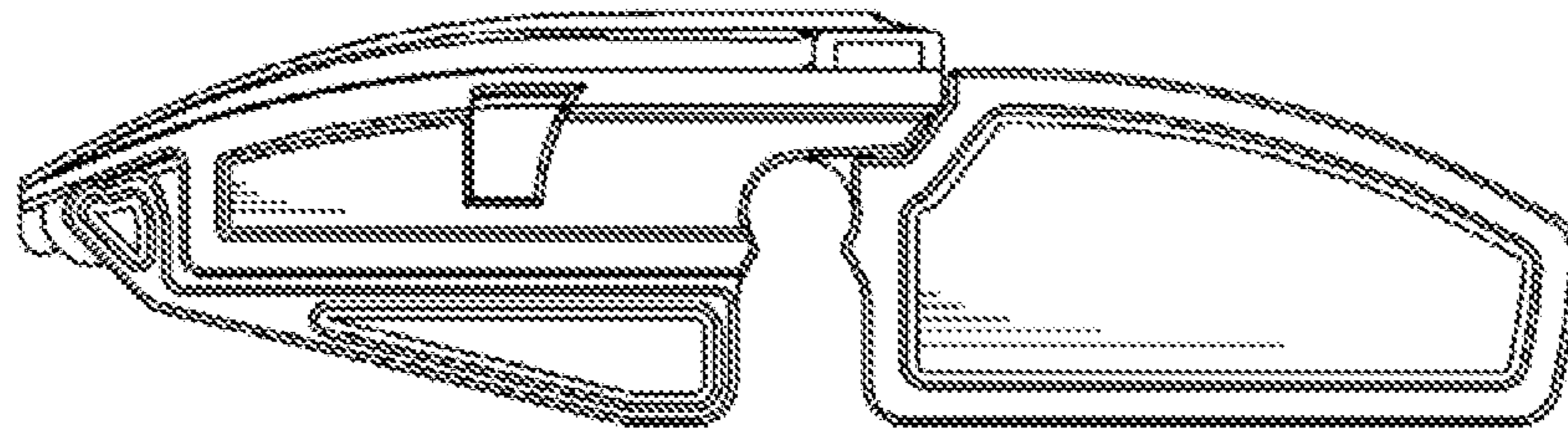


Fig. 2

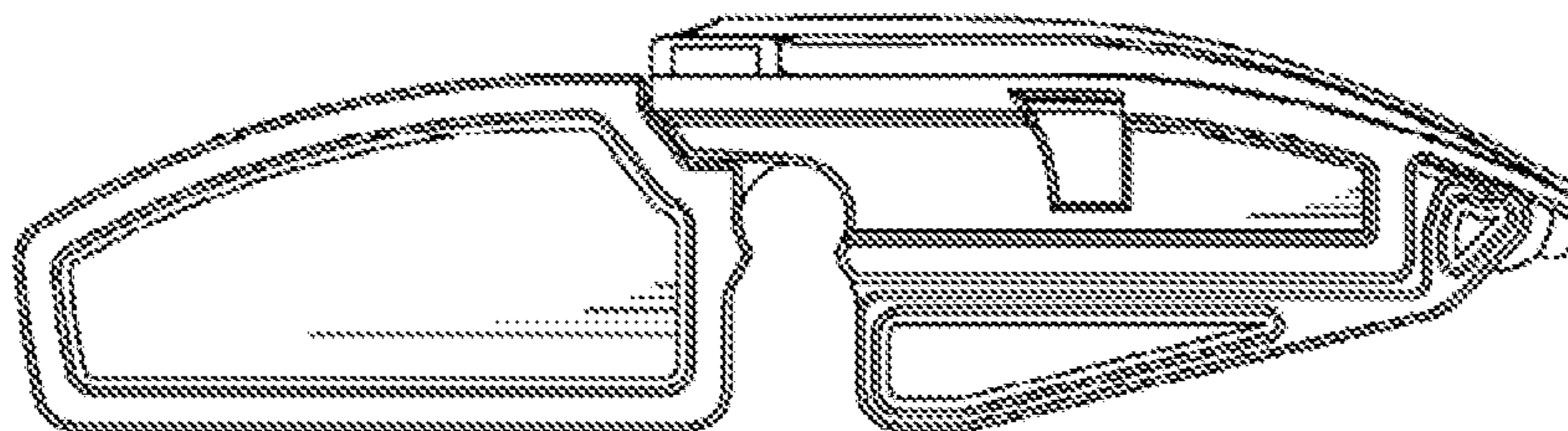


Fig. 3

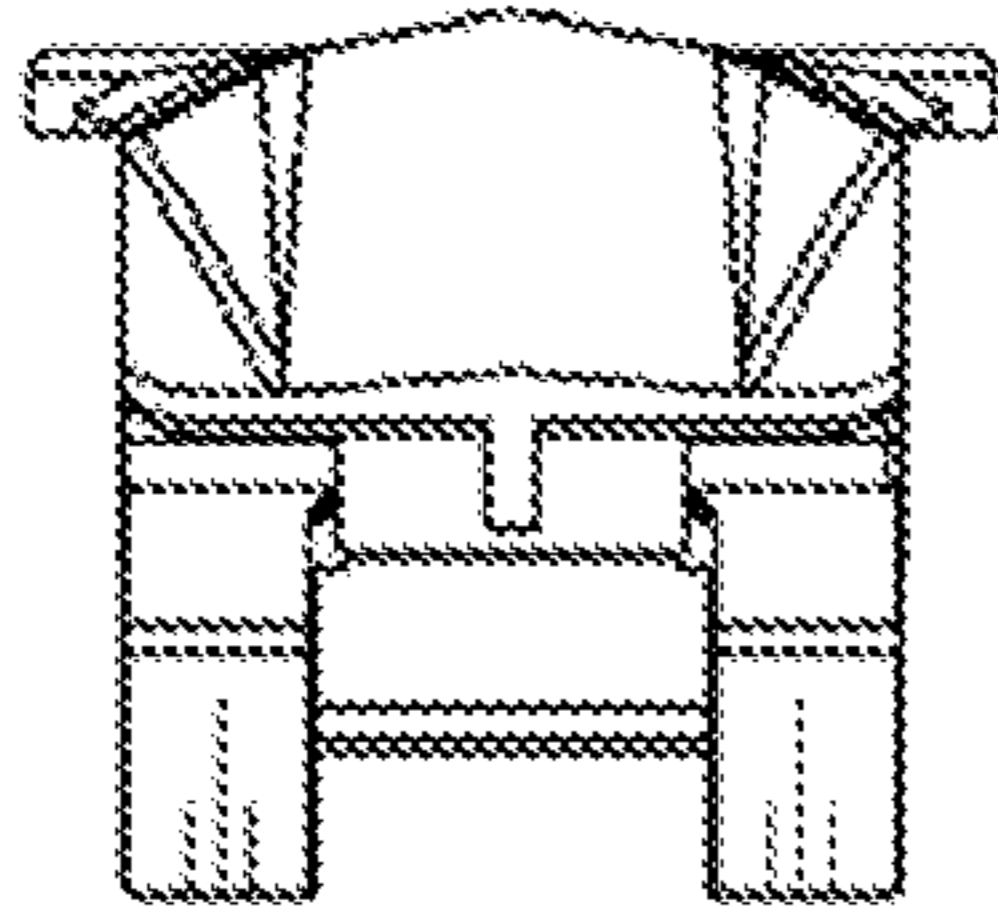


Fig. 4

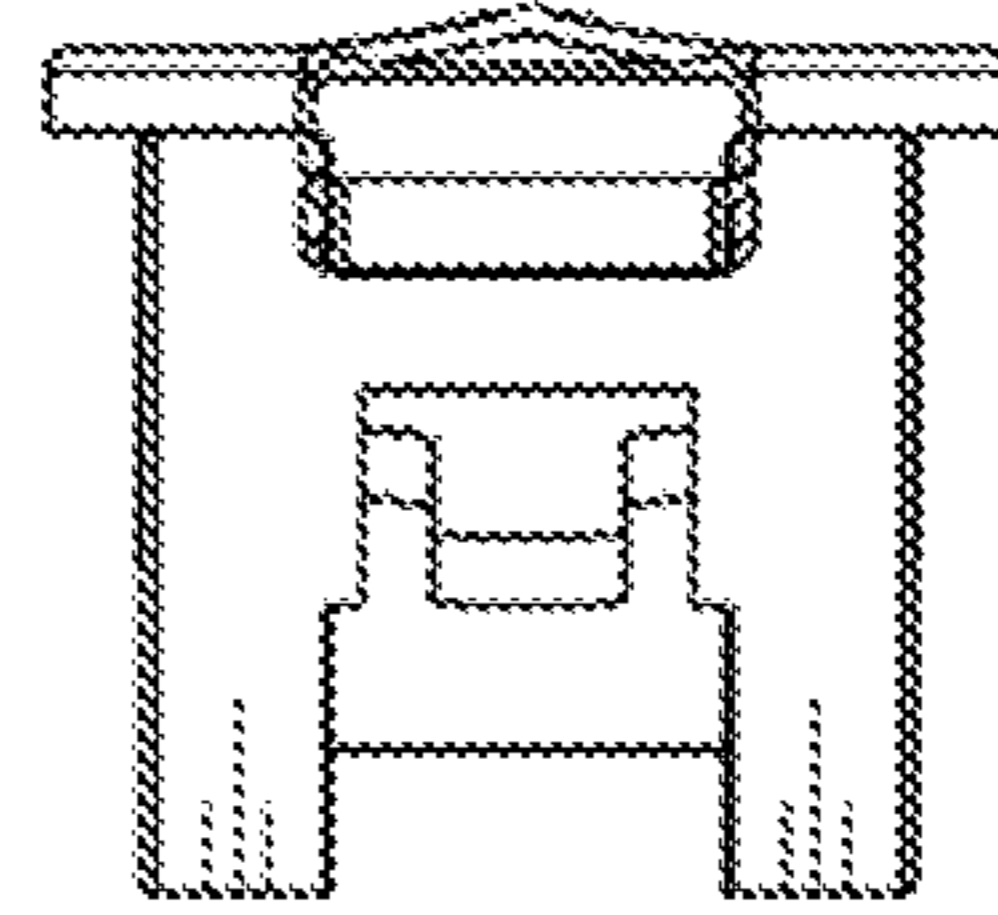


Fig. 5

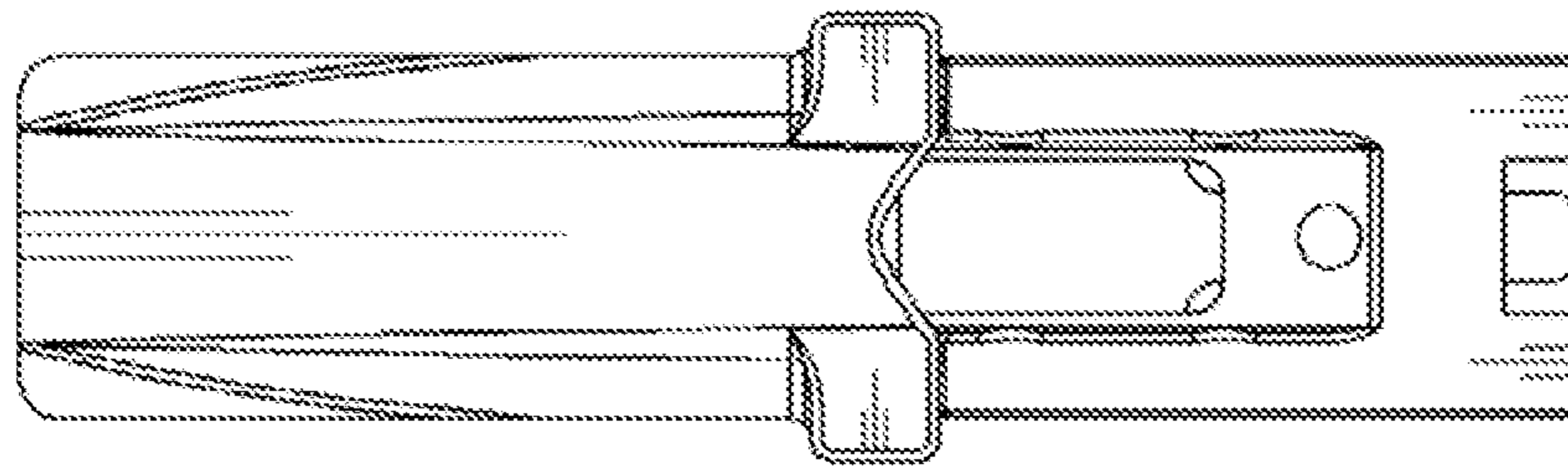


Fig. 6

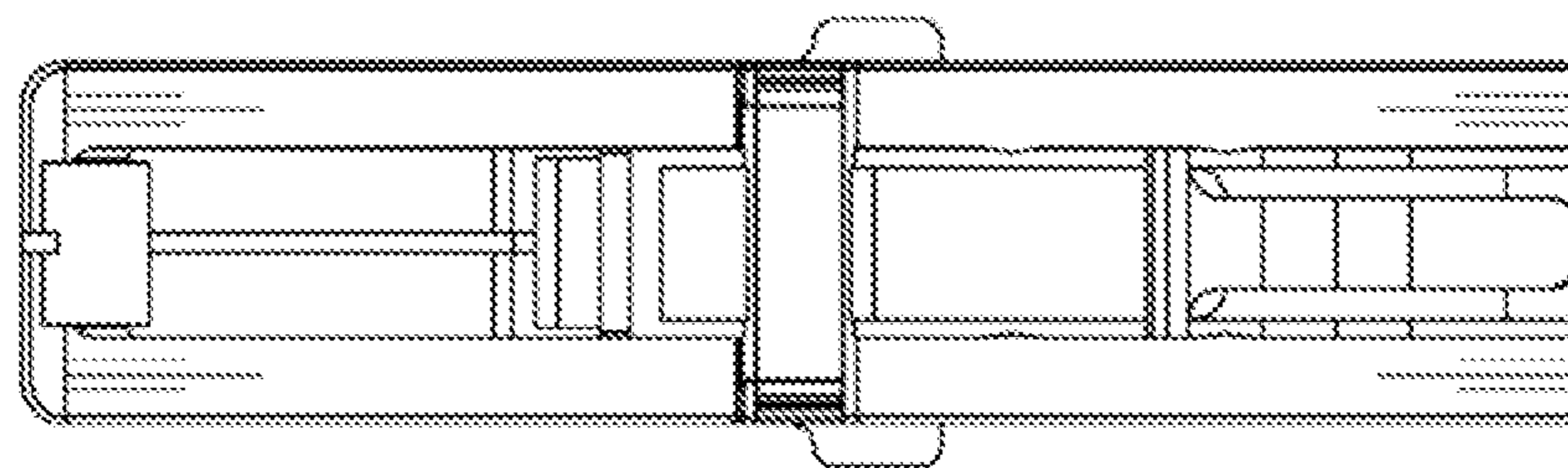


Fig. 7

Fig. 8

