



US00D694696S

(12) **United States Design Patent**
Kim

(10) **Patent No.:** **US D694,696 S**

(45) **Date of Patent:** **** Dec. 3, 2013**

(54) **WIPER FOR AUTOMOBILES**

(75) Inventor: **In-Kyu Kim**, Gyeonggi-do (KR)

(73) Assignees: **ADM21 Co., Ltd.**, Gyeonggi-do (KR);
In-Kyu Kim, Chungcheongnam-do (KR)

(**) Term: **14 Years**

(21) Appl. No.: **29/422,599**

(22) Filed: **May 22, 2012**

(30) **Foreign Application Priority Data**

Feb. 29, 2012 (KR) 30-2012-0009606

(51) **LOC (9) Cl.** **12-06**

(52) **U.S. Cl.**
USPC **D12/219**

(58) **Field of Classification Search**
USPC D12/219–220; 15/246, 247, 250.001,
15/250.4, 250.361, 250.19, 250.48,
15/250.03, 250.31–250.33, 250.351,
15/250.38, 250.201, 250.451, 250.458,
15/250.04, 250.07, 250.44
See application file for complete search history.

(56) **References Cited**

U.S. PATENT DOCUMENTS

D379,613 S * 6/1997 Chen D12/219
D382,848 S * 8/1997 Chen D12/219

2006/0048329	A1 *	3/2006	Thienard	15/250.32
2006/0179598	A1 *	8/2006	Leu	15/250.201
2008/0028564	A1 *	2/2008	Ku	15/250.43
2008/0047090	A1 *	2/2008	Ku	15/250.32
2008/0052865	A1 *	3/2008	Chiang	15/250.43
2010/0319154	A1 *	12/2010	Bousset	15/250.48
2010/0319155	A1 *	12/2010	Boland	15/250.48
2011/0099743	A1 *	5/2011	Chiang	15/250.32
2012/0260451	A1 *	10/2012	Boland	15/250.33

* cited by examiner

Primary Examiner — Katrina A Betton

(74) *Attorney, Agent, or Firm* — Seed IP Law Group PLLC

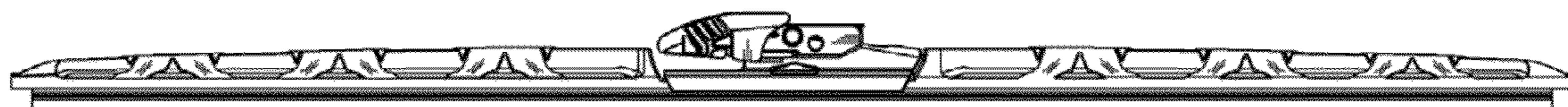
(57) **CLAIM**

The ornamental design for a wiper for automobiles, as shown and described.

DESCRIPTION

FIG. 1 is an isometric view of a wiper for automobiles showing my new design.
FIG. 2 is a front view thereof.
FIG. 3 is a rear view thereof.
FIG. 4 is a left side view thereof.
FIG. 5 is a right side view thereof.
FIG. 6 is a top plan view thereof.
FIG. 7 is a bottom plan view thereof.
FIG. 8 is an enlarged isometric view of the portion partitioned by lines 8-8' in FIG. 1.
FIG. 9 is an enlarged view of FIG. 4; and,
FIG. 10 is an enlarged view of FIG. 5.

1 Claim, 4 Drawing Sheets



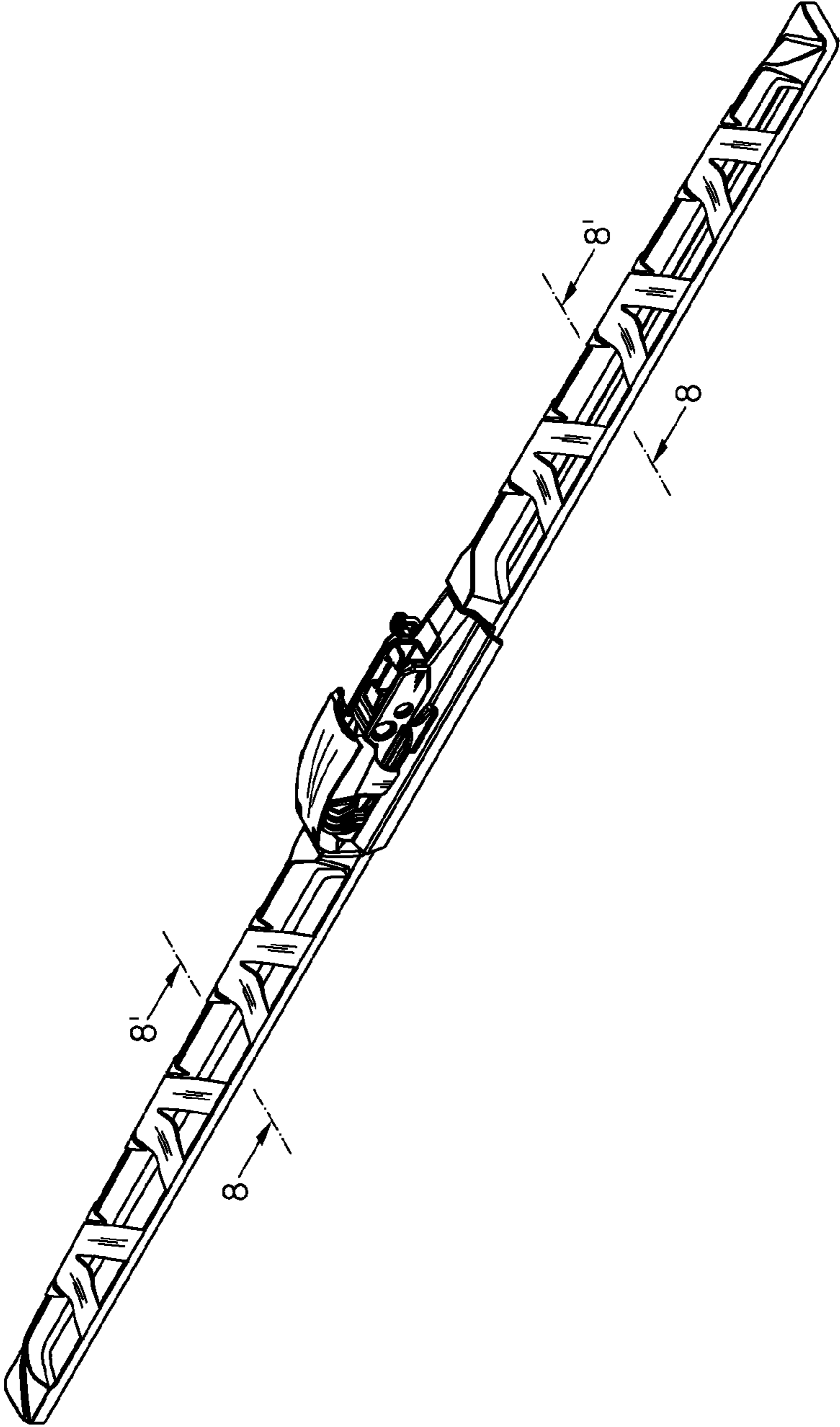


FIG.1

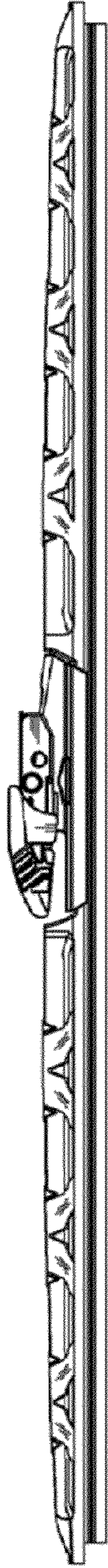


Fig. 2

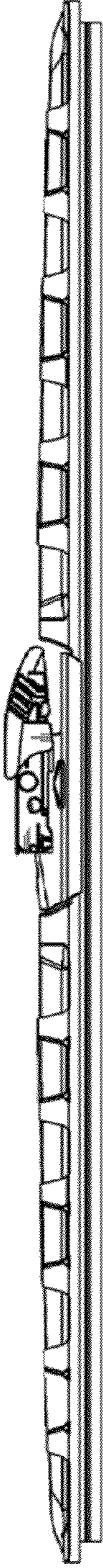


Fig. 3



Fig. 4



Fig. 5

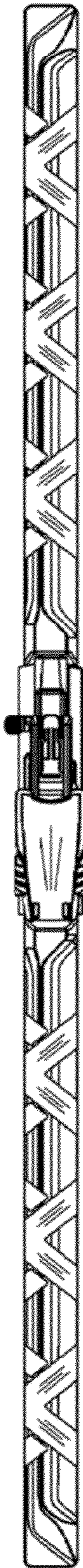


Fig. 6

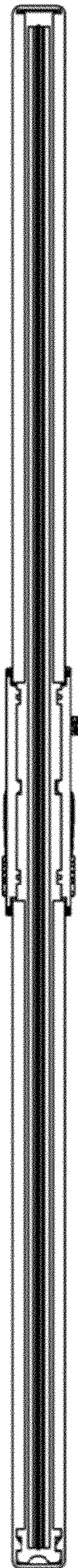


Fig. 7

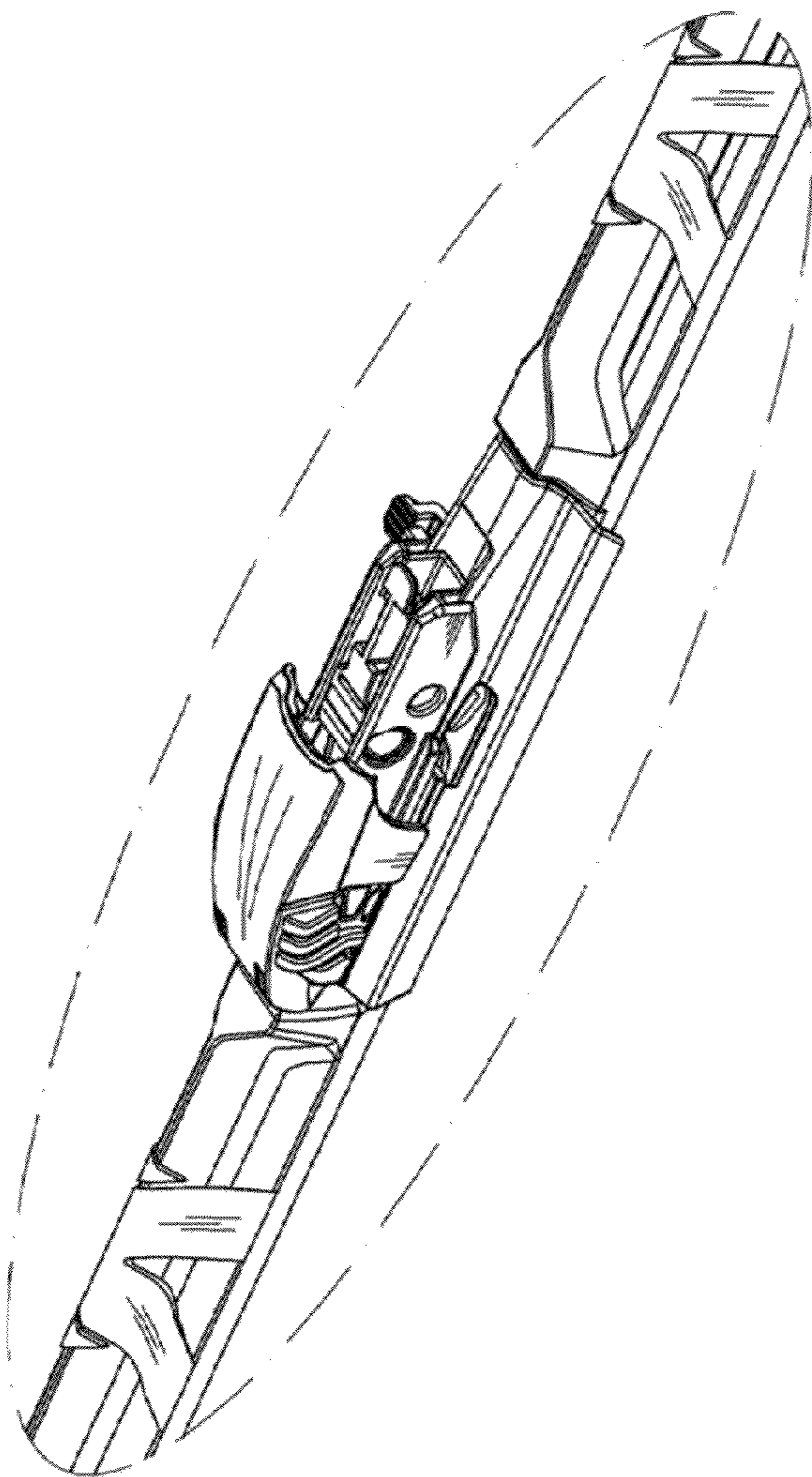


Fig. 8

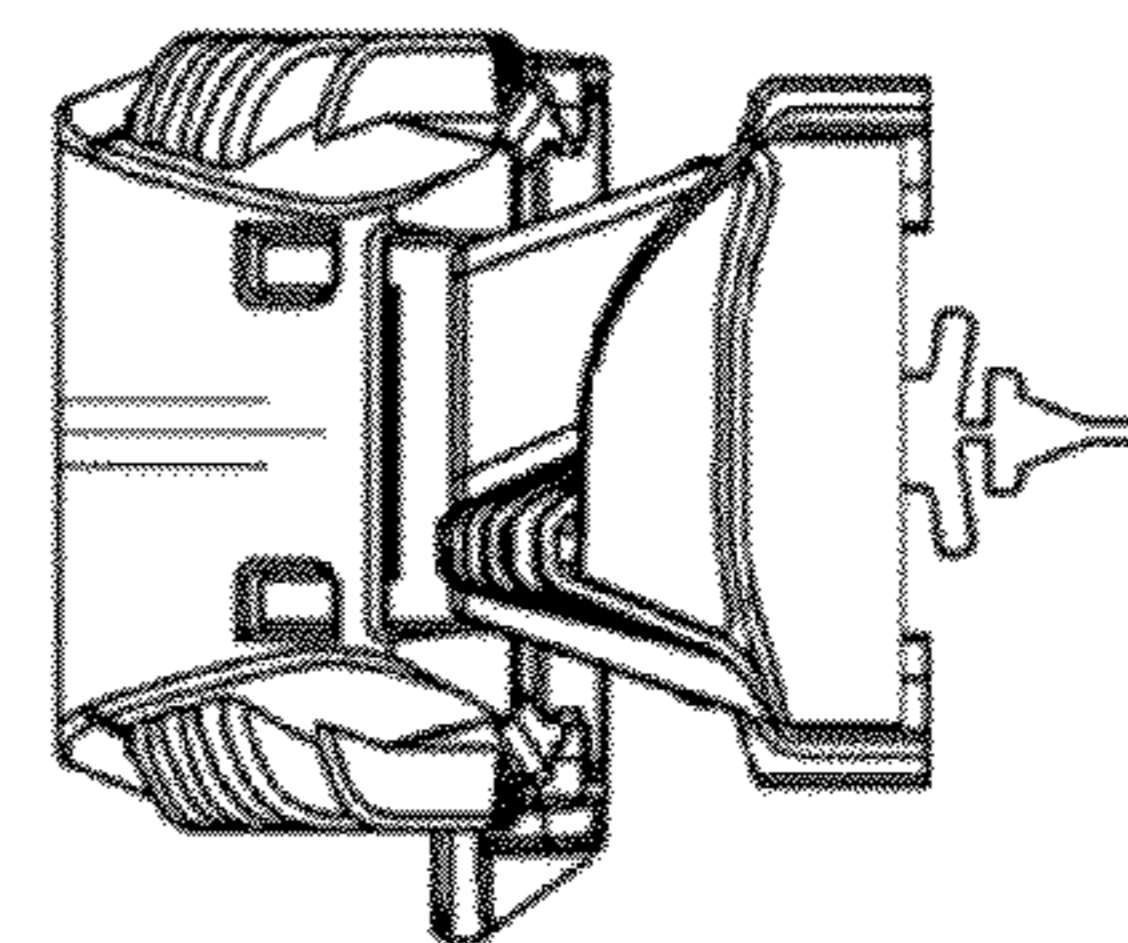


Fig. 9

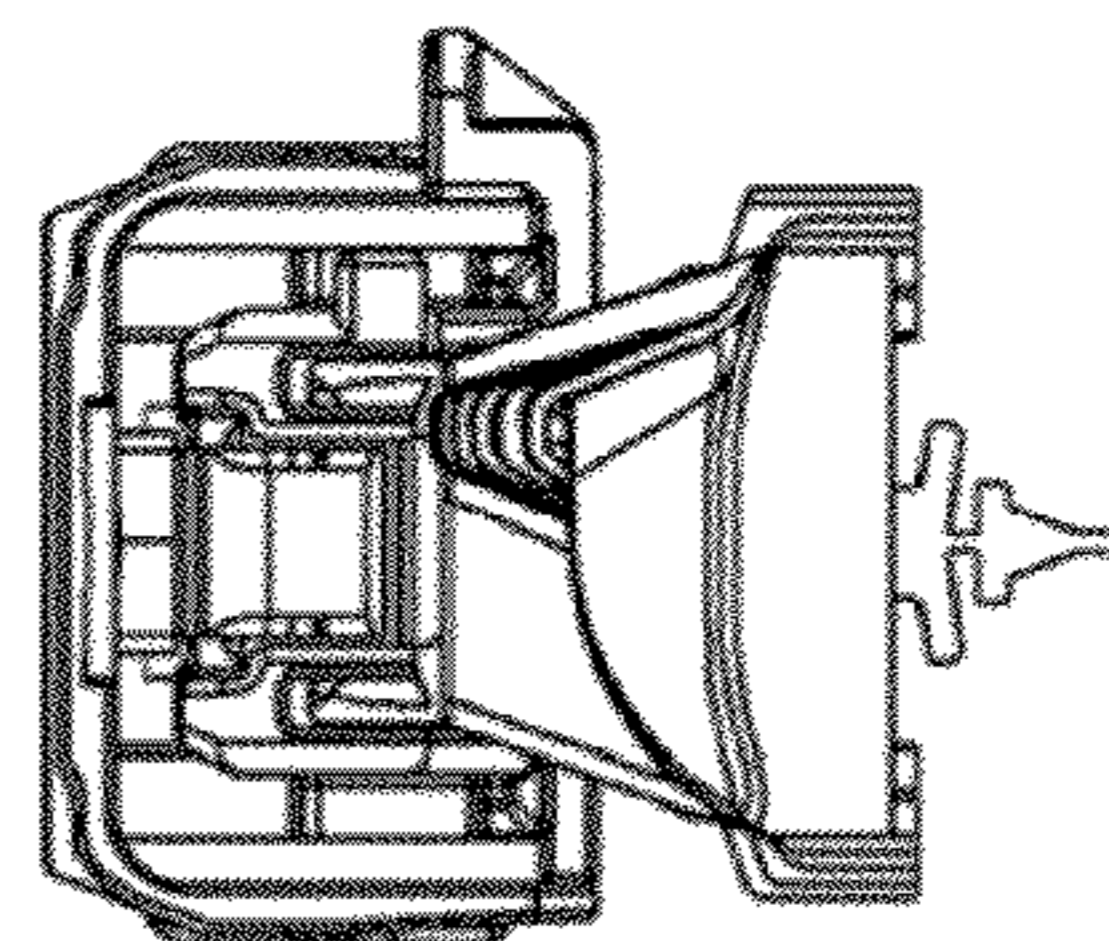


Fig. 10