



US00D694695S

(12) **United States Design Patent**
Kern

(10) **Patent No.:** **US D694,695 S**
(45) **Date of Patent:** **** Dec. 3, 2013**

(54) **FRONT FACE OF A VEHICLE WHEEL**

(71) Applicant: **Vossen Wheels**, Miami, FL (US)

(72) Inventor: **Steven Kern**, Miami Beach, FL (US)

(73) Assignee: **Vossen Wheels**, Miami, FL (US)

(**) Term: **14 Years**

(21) Appl. No.: **29/465,929**

(22) Filed: **Sep. 3, 2013**

(51) **LOC (9) Cl.** **12-16**

(52) **U.S. Cl.**
USPC **D12/211**

(58) **Field of Classification Search**
USPC D12/204-213; 301/37.101, 64.101, 65,
301/64.201

See application file for complete search history.

(56) **References Cited**

U.S. PATENT DOCUMENTS

D402,951 S	12/1998	Wechner	
D450,649 S	11/2001	Penzes	
D453,494 S	2/2002	Brown et al.	
D457,118 S	5/2002	Bhambra	
D464,009 S	10/2002	Laengerer	
D466,851 S	12/2002	Pfeiffer et al.	
D479,178 S	9/2003	Lai	
D493,763 S *	8/2004	Sands	D12/211
D499,686 S	12/2004	Song	
D520,931 S	5/2006	Hieke	
D522,954 S	6/2006	Hueller	

D535,604 S	1/2007	Markefka	
D610,516 S *	2/2010	Dilber et al.	D12/211
D625,244 S *	10/2010	Zhao	D12/211
D634,690 S *	3/2011	Wiesinger	D12/211
D639,227 S *	6/2011	Leclercq	D12/211
D658,105 S *	4/2012	Hans et al.	D12/211
D666,959 S *	9/2012	Lucaora	D12/211
D678,165 S *	3/2013	Zhao	D12/211
D681,539 S *	5/2013	Zhao	D12/211
D682,182 S	5/2013	Zhao	
D682,185 S	5/2013	Zhao	
D682,767 S *	5/2013	Zhao	D12/211
D682,770 S	5/2013	Zhao	
D685,310 S *	7/2013	Alfonso	D12/211
D687,757 S	8/2013	Lemke	
D690,252 S *	9/2013	Bernoni	D12/211

* cited by examiner

Primary Examiner — Stacia Cadmus

(74) *Attorney, Agent, or Firm* — Berenato & White, LLC

(57) **CLAIM**

The ornamental design for a front face of a vehicle wheel, as shown and described.

DESCRIPTION

FIG. 1 is a front view of a front face of a vehicle wheel showing my new design; and, FIG. 2 is a top and left side perspective view of the wheel shown in FIG. 1. The broken line showing of the rear portion of the wheel rim is included for the purpose of illustrating environment and forms no part of the claimed design.

1 Claim, 2 Drawing Sheets

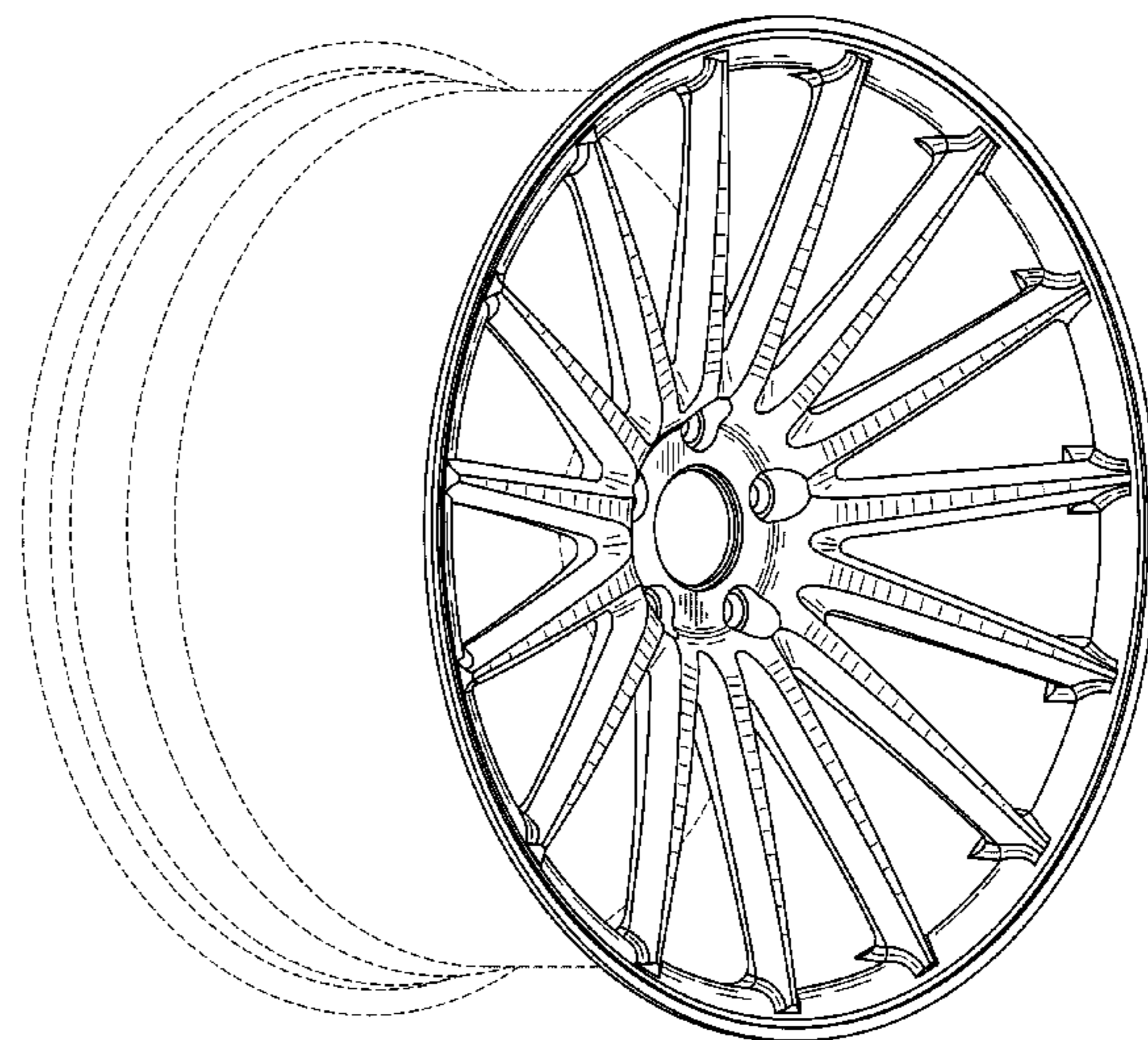
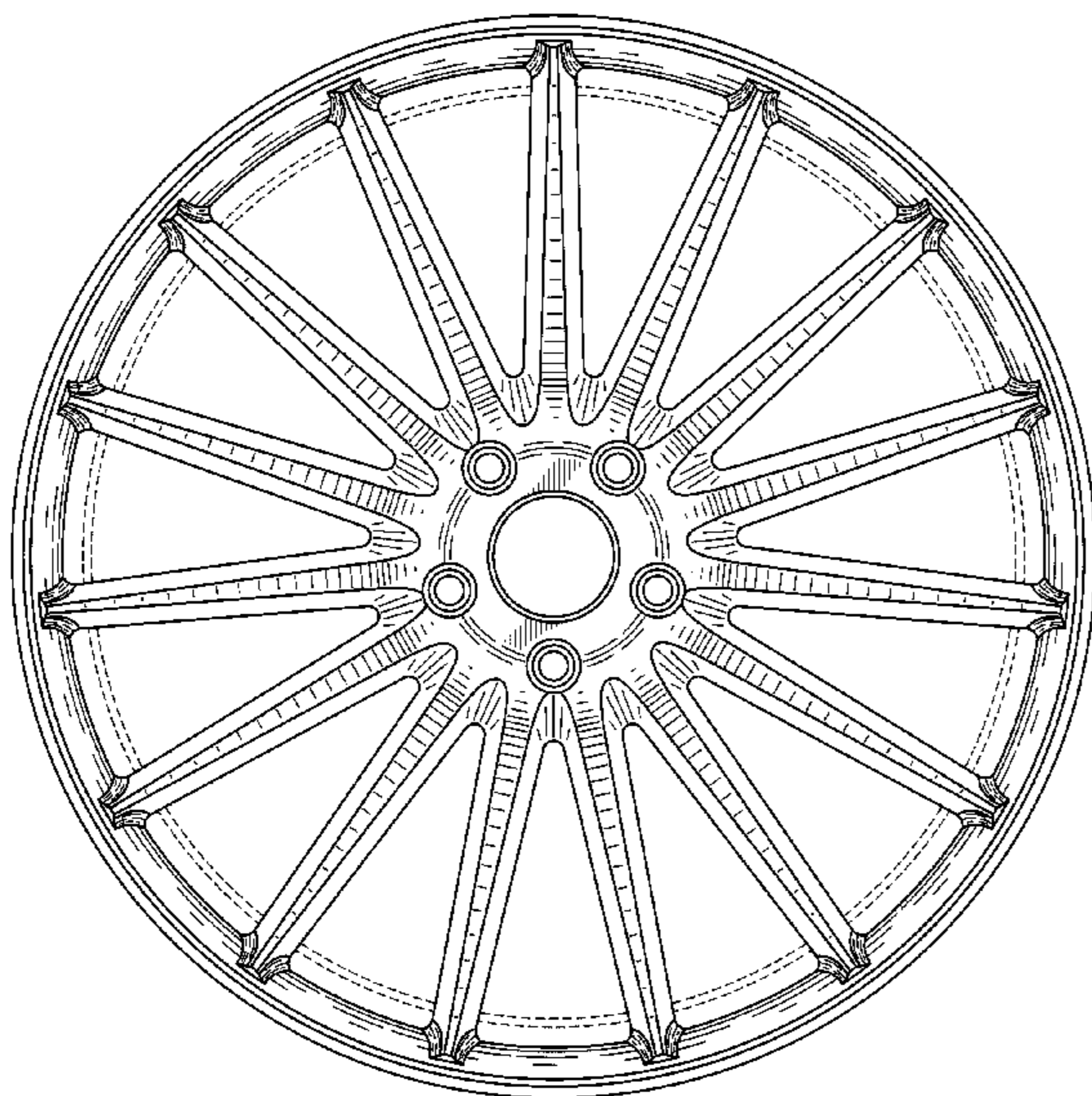


Fig. 1

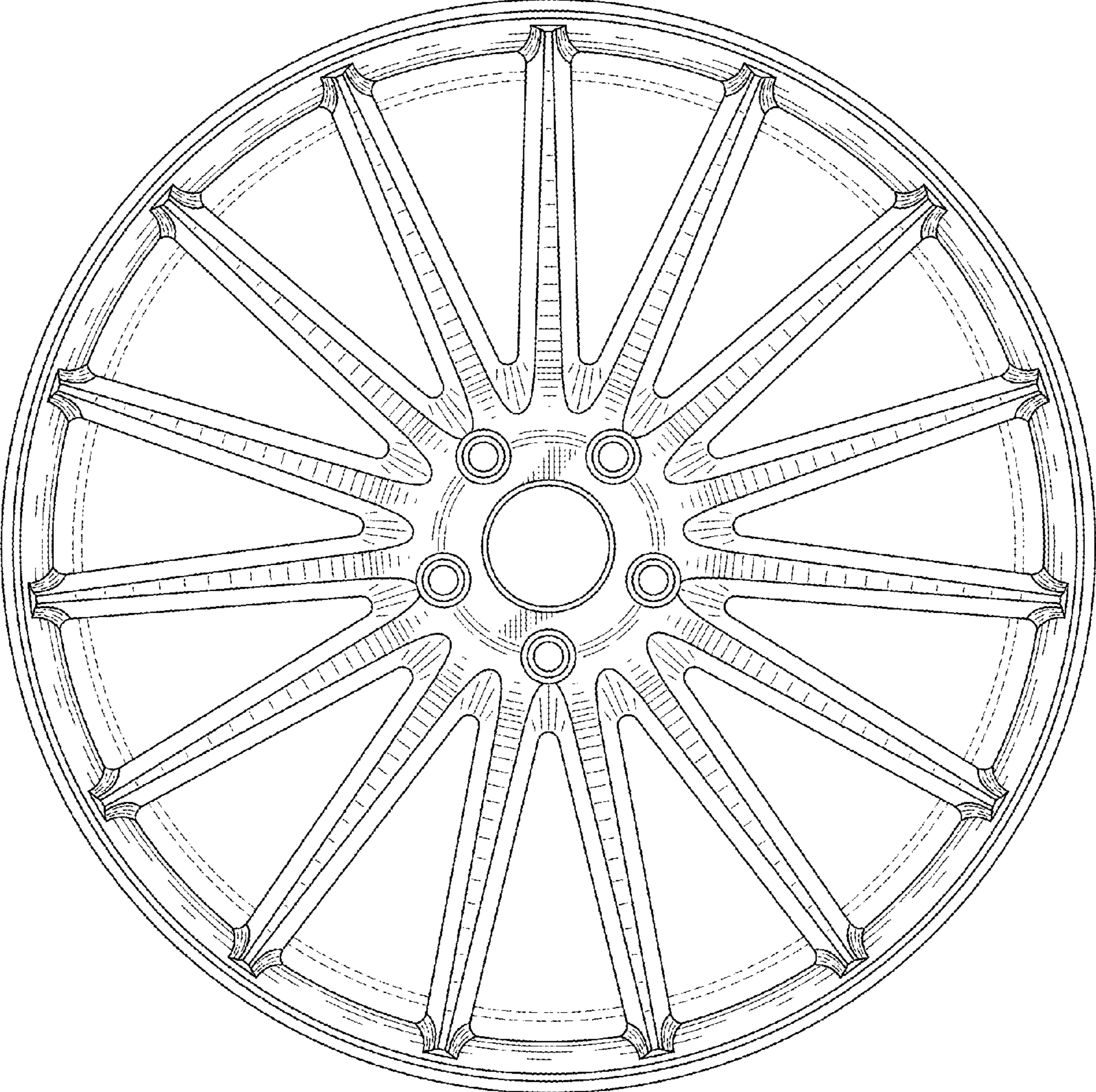


Fig. 2

