



US00D694694S

(12) **United States Design Patent**  
**Wheel**

(10) **Patent No.:** **US D694,694 S**  
(45) **Date of Patent:** **\*\* Dec. 3, 2013**

- (54) **WHEEL**
- (71) Applicant: **Land Rover**, Warwickshire (GB)
- (72) Inventor: **Andrew Wheel**, Coventry (GB)
- (73) Assignee: **Land Rover** (GB)
- (\*\*) Term: **14 Years**
- (21) Appl. No.: **29/435,142**
- (22) Filed: **Oct. 19, 2012**
- (51) **LOC (9) Cl.** ..... **12-16**
- (52) **U.S. Cl.**  
USPC ..... **D12/209**
- (58) **Field of Classification Search**  
USPC ..... D12/204-213; 301/37.101, 64.101, 65,  
301/64.201  
See application file for complete search history.

D419,944 S *	2/2000	Chen .....	D12/209
D430,842 S *	9/2000	Chinellato .....	D12/209
D441,707 S *	5/2001	Hussaini et al. ....	D12/209
D450,288 S *	11/2001	Lee .....	D12/209
D608,710 S *	1/2010	Nissl .....	D12/209
D630,565 S *	1/2011	Ebel et al. ....	D12/209
D644,976 S *	9/2011	Nissl .....	D12/209
D669,833 S *	10/2012	Pollmann .....	D12/209
D671,060 S *	11/2012	Baum .....	D12/209
D671,475 S *	11/2012	Juergens et al. ....	D12/209
D671,479 S *	11/2012	Gonser .....	D12/209

\* cited by examiner

*Primary Examiner* — Stacia Cadmus

(74) *Attorney, Agent, or Firm* — Rader, Fishman & Grauer PLLC

(57) **CLAIM**  
The ornamental design for wheel, as shown and described.

**DESCRIPTION**

FIG. 1 is a front perspective view of a wheel fascia; and, FIG. 2 is the front view of the wheel fascia. Portions of FIGS. 1-2 that are shown as broken lines are for illustrative purpose only and form no part of the claimed design.

**1 Claim, 2 Drawing Sheets**

- (56) **References Cited**  
U.S. PATENT DOCUMENTS
- |              |         |               |         |
|--------------|---------|---------------|---------|
| D386,740 S * | 11/1997 | Cullen .....  | D12/209 |
| D393,442 S * | 4/1998  | Noriega ..... | D12/209 |
| D408,344 S * | 4/1999  | Kelley .....  | D12/209 |
| D414,737 S * | 10/1999 | Liang .....   | D12/209 |
| D416,844 S * | 11/1999 | Neeper .....  | D12/209 |

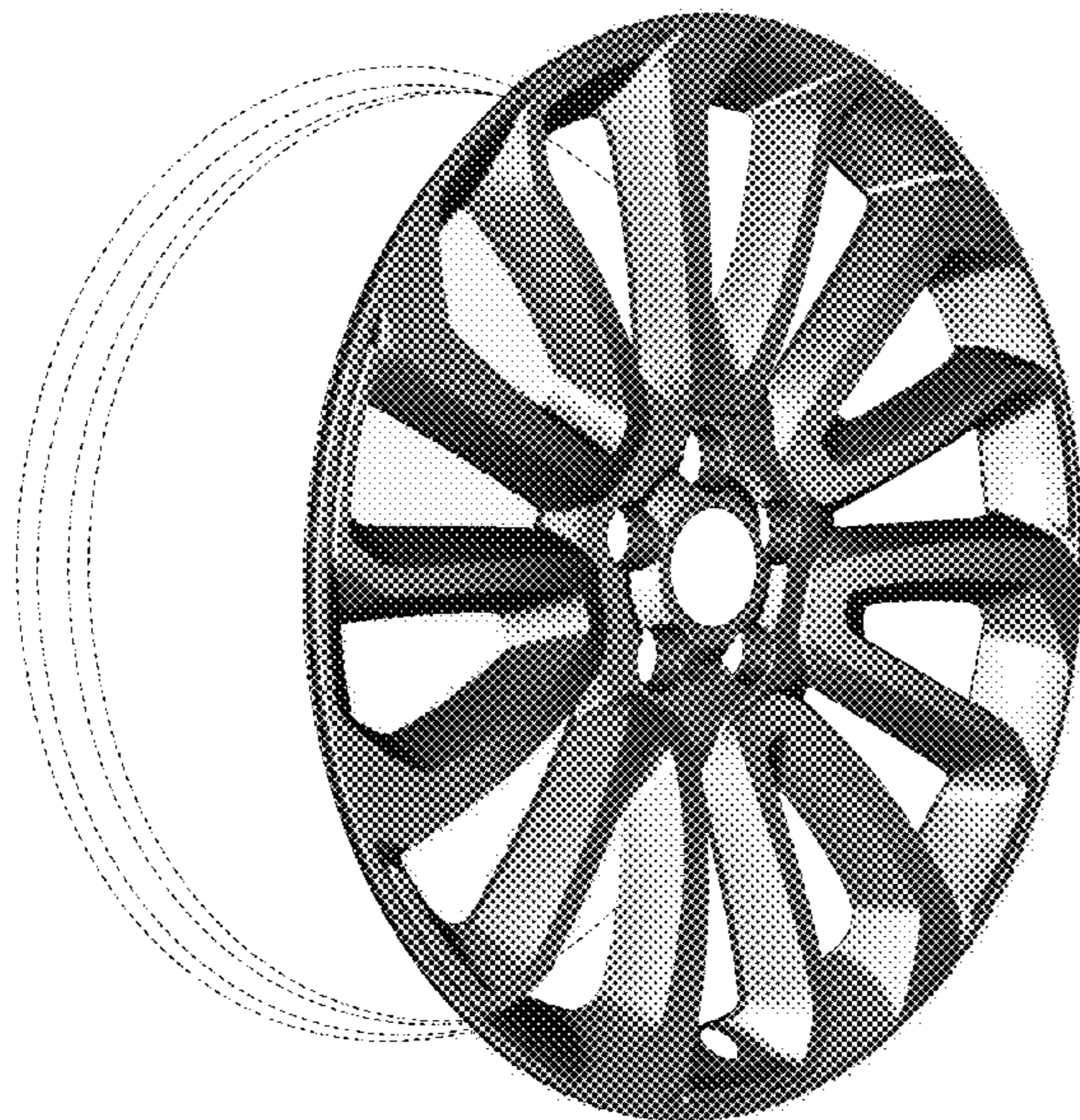






FIG. 1





FIG. 2