

US00D694693S

(12) **United States Design Patent**  
**Behmer et al.**

(10) **Patent No.:** **US D694,693 S**  
(45) **Date of Patent:** **\*\* Dec. 3, 2013**

(54) **VEHICLE WHEEL**

(75) Inventors: **Darrell Paul Behmer**, Novi, MI (US);  
**Melvin Betancourt**, Shelby Township,  
MI (US); **Robert Gelardi**, Dearborn, MI  
(US)

(73) Assignee: **Ford Motor Company**, Dearborn, MI  
(US)

(\*\*) Term: **14 Years**

(21) Appl. No.: **29/406,137**

(22) Filed: **Nov. 10, 2011**

(51) **LOC (9) Cl.** ..... **12-16**

(52) **U.S. Cl.**  
USPC ..... **D12/209**

(58) **Field of Classification Search**  
USPC ..... D12/204–213; 301/37.101, 64.101, 65,  
301/64.201

See application file for complete search history.

(56) **References Cited**

**U.S. PATENT DOCUMENTS**

D481,347 S	*	10/2003	Kang	.....	D12/211
D504,649 S	*	5/2005	Pfeiffer	.....	D12/209
D526,609 S	*	8/2006	Hosoi	.....	D12/209
D529,429 S	*	10/2006	Hsu	.....	D12/209
D554,034 S	*	10/2007	Madden	.....	D12/209
D555,566 S	*	11/2007	Hlinovsky	.....	D12/209

D589,864 S	*	4/2009	Friedrich et al.	.....	D12/209
D597,918 S	*	8/2009	Juergens et al.	.....	D12/209
D606,477 S		12/2009	Geraldi		
D617,247 S	*	6/2010	Gallert	.....	D12/209
D620,872 S	*	8/2010	Juergens et al.	.....	D12/211
D627,698 S	*	11/2010	Zhang	.....	D12/209
D636,319 S	*	4/2011	Toth	.....	D12/211
D639,221 S	*	6/2011	Johnson	.....	D12/209
D643,793 S	*	8/2011	Juergens et al.	.....	D12/209
D658,561 S	*	5/2012	Foose	.....	D12/209
D669,011 S	*	10/2012	Chung	.....	D12/211
D673,094 S	*	12/2012	Behmer et al.	.....	D12/209
D675,972 S	*	2/2013	Lee	.....	D12/209

**OTHER PUBLICATIONS**

All About Cars And Trucks, Aug. 17, 2011, 2013 Ford Mustang Spy Photos.  
Car and Driver, undated, 2013 Ford Mustang Shelby GT500 (spy photo).  
Motorauthority, Jun. 3-19, 2011, 2013 Ford Mustang Shelby GT500 spy shots.

\* cited by examiner

*Primary Examiner* — Stacia Cadmus

(74) *Attorney, Agent, or Firm* — Damian Porcari

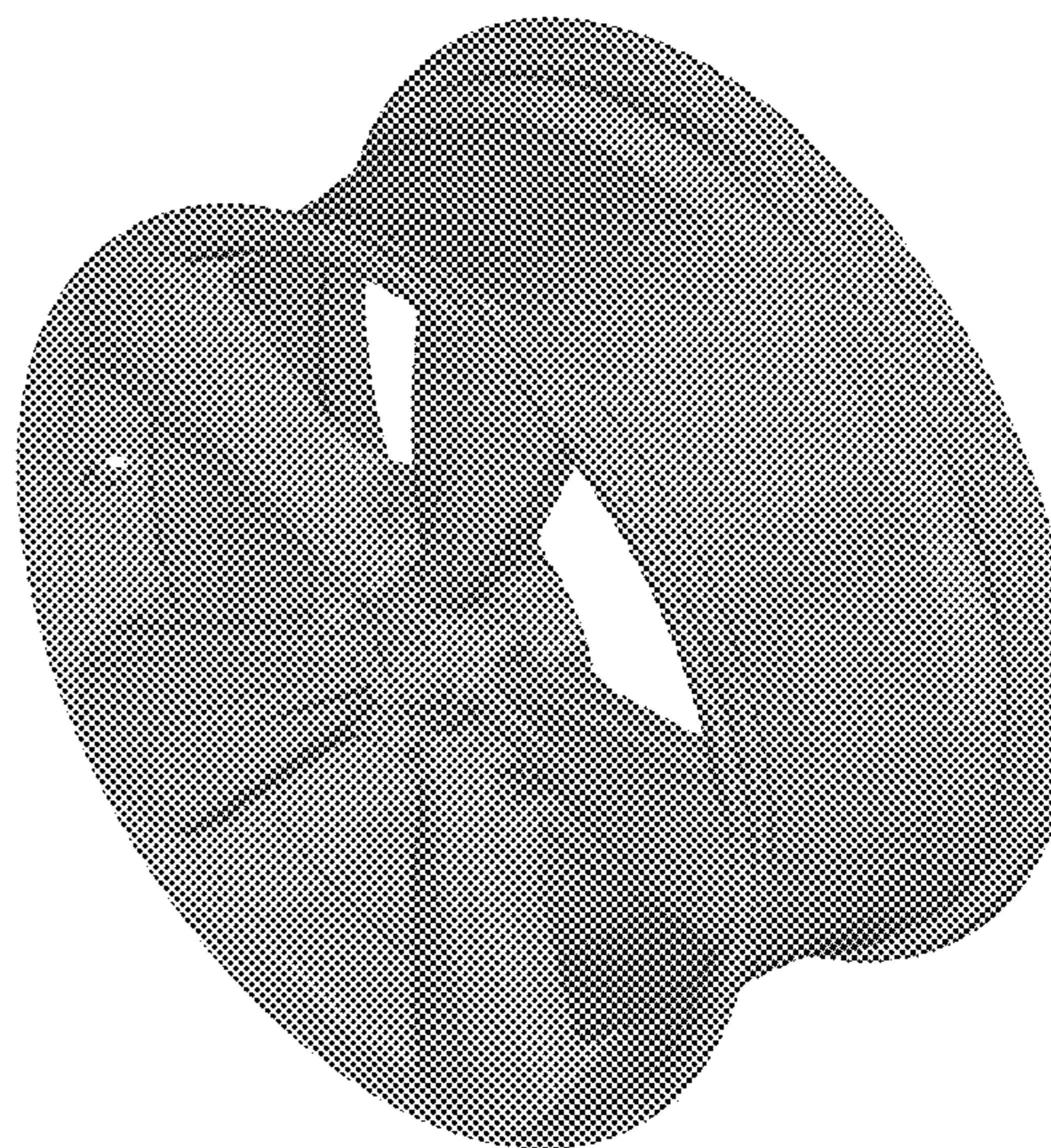
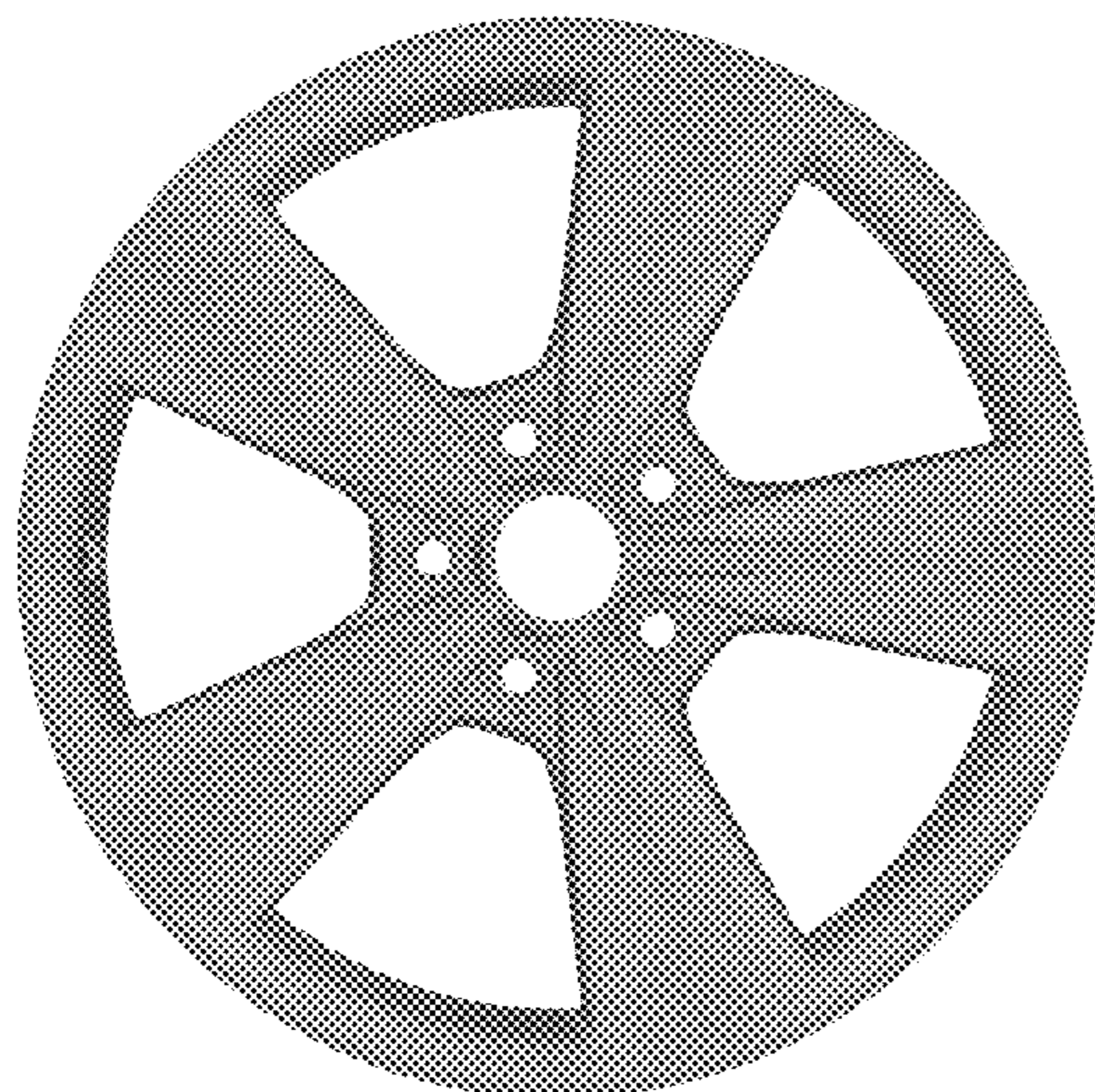
(57) **CLAIM**

The ornamental design for a vehicle wheel, as shown and described.

**DESCRIPTION**

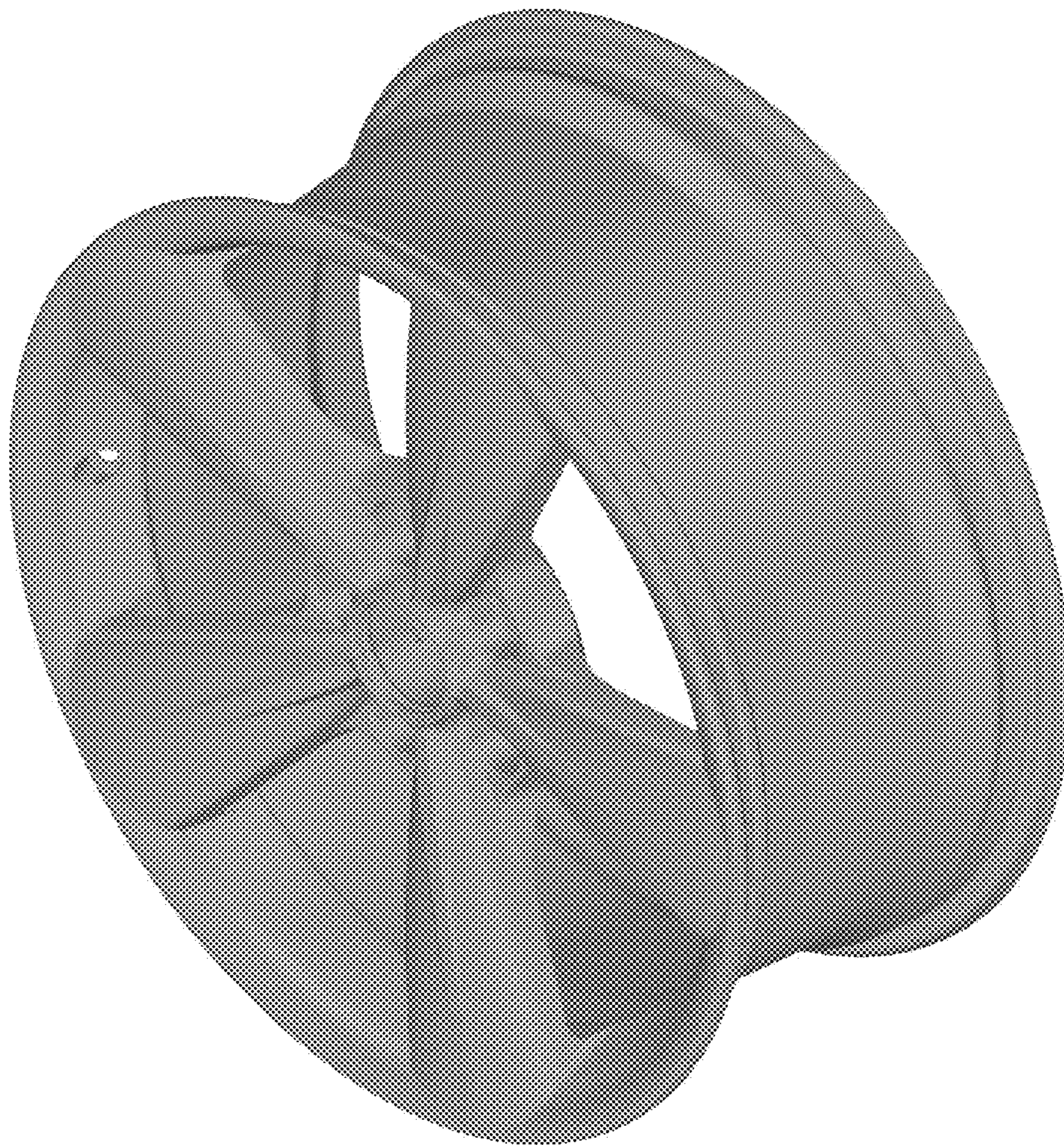
FIG. 1 is a front view of a vehicle wheel; and,  
FIG. 2 is a perspective view of the vehicle wheel.

**1 Claim, 2 Drawing Sheets**





*Figure 1*



*Figure 2*