

US00D694689S

(12) **United States Design Patent**
Maholick et al.

(10) **Patent No.:** **US D694,689 S**
(45) **Date of Patent:** **** Dec. 3, 2013**

- (54) **MUFFLER**
- (75) Inventors: **William Maholick**, White Lake, MI (US); **Dustin Swartfager**, Knox, PA (US)
- (73) Assignee: **General Electric Company**, Schenectady, NY (US)
- (**) Term: **14 Years**
- (21) Appl. No.: **29/418,279**
- (22) Filed: **Apr. 13, 2012**
- (51) **LOC (9) Cl.** **12-16**
- (52) **U.S. Cl.**
USPC **D12/194**
- (58) **Field of Classification Search**
USPC D12/194; 180/89.2, 296, 309; 181/227-228, 239-241, 264, 282, 181/247-249; D15/5; 293/113; 29/890.08; 60/303, 313, 323
See application file for complete search history.

7,181,926	B2 *	2/2007	Bhatia et al.	62/296
7,316,291	B2 *	1/2008	Thomsen et al.	181/262
7,325,474	B2 *	2/2008	Yoshimura et al.	89/14.4
7,389,853	B2 *	6/2008	Ryczek et al.	181/272
7,726,443	B2 *	6/2010	Miyazawa et al.	181/240
8,251,173	B2 *	8/2012	Drew et al.	181/240
2005/0155818	A1 *	7/2005	Wirtz	181/269
2009/0013673	A1 *	1/2009	Mukaida	60/299
2009/0065296	A1 *	3/2009	Chang et al.	181/255
2010/0011752	A1 *	1/2010	Edholm	60/299

* cited by examiner

Primary Examiner — Michael A Pratt
(74) *Attorney, Agent, or Firm* — GE Global Patent Operation; John A. Kramer

(57) **CLAIM**
The ornamental design for a muffler, substantially as shown and described.

DESCRIPTION

FIG. 1 is a perspective view of a muffler showing an embodiment of the new design;
FIG. 2 is a first side view of an embodiment of the muffler;
FIG. 3 is a second side view of an embodiment of the muffler;
FIG. 4 is a front view of an embodiment of the muffler;
FIG. 5 is a top view of an embodiment of the muffler; and,
FIG. 6 is a bottom view of an embodiment of the muffler.
The broken line showing of aspects of the muffler in FIG. 6 is included for the purpose of illustrating environment and forms no part of the claimed design.

- (56) **References Cited**
U.S. PATENT DOCUMENTS
6,837,335 B2 * 1/2005 Jankowski 181/243
D531,642 S * 11/2006 Maeda et al. D15/5

1 Claim, 6 Drawing Sheets

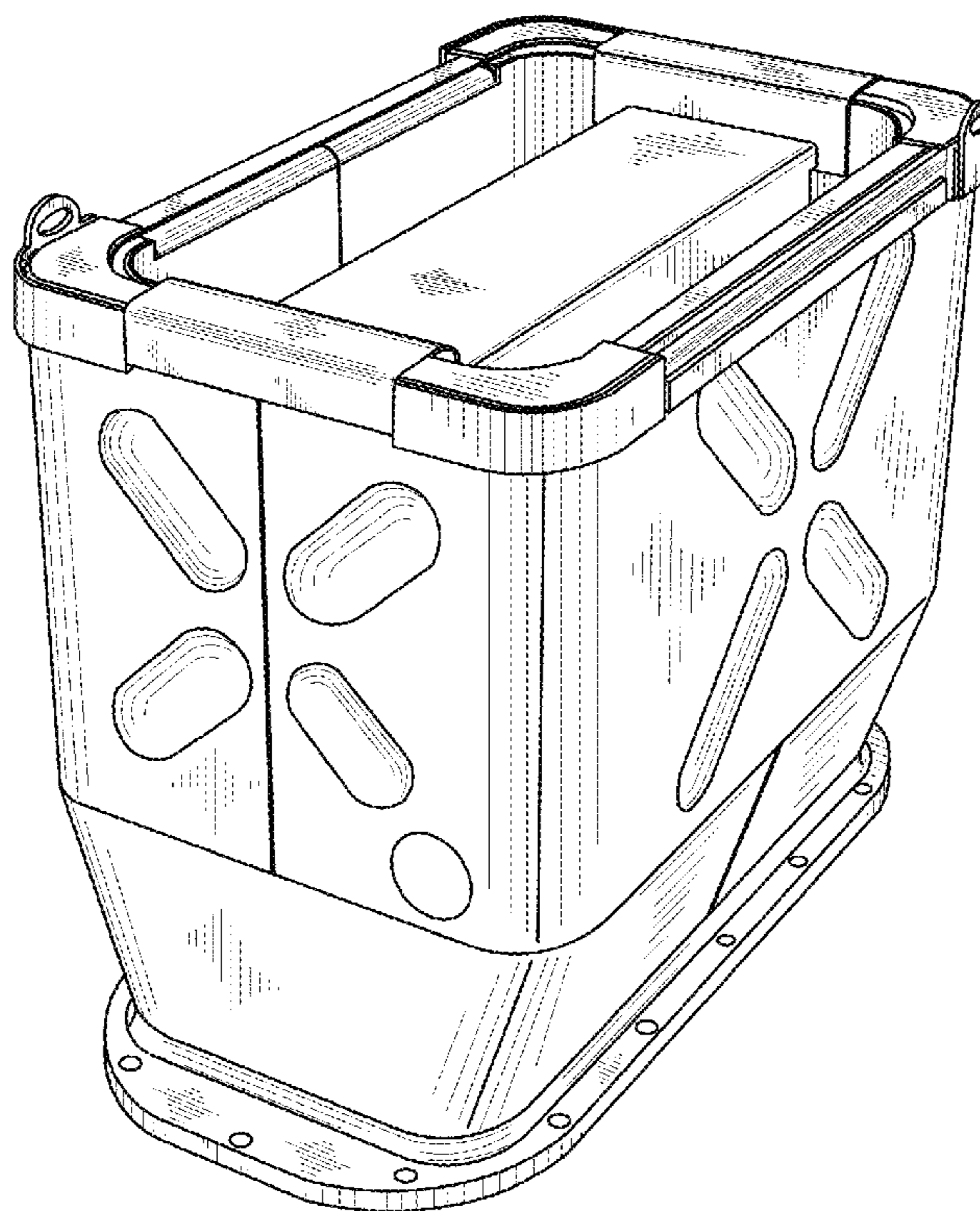


Figure 1

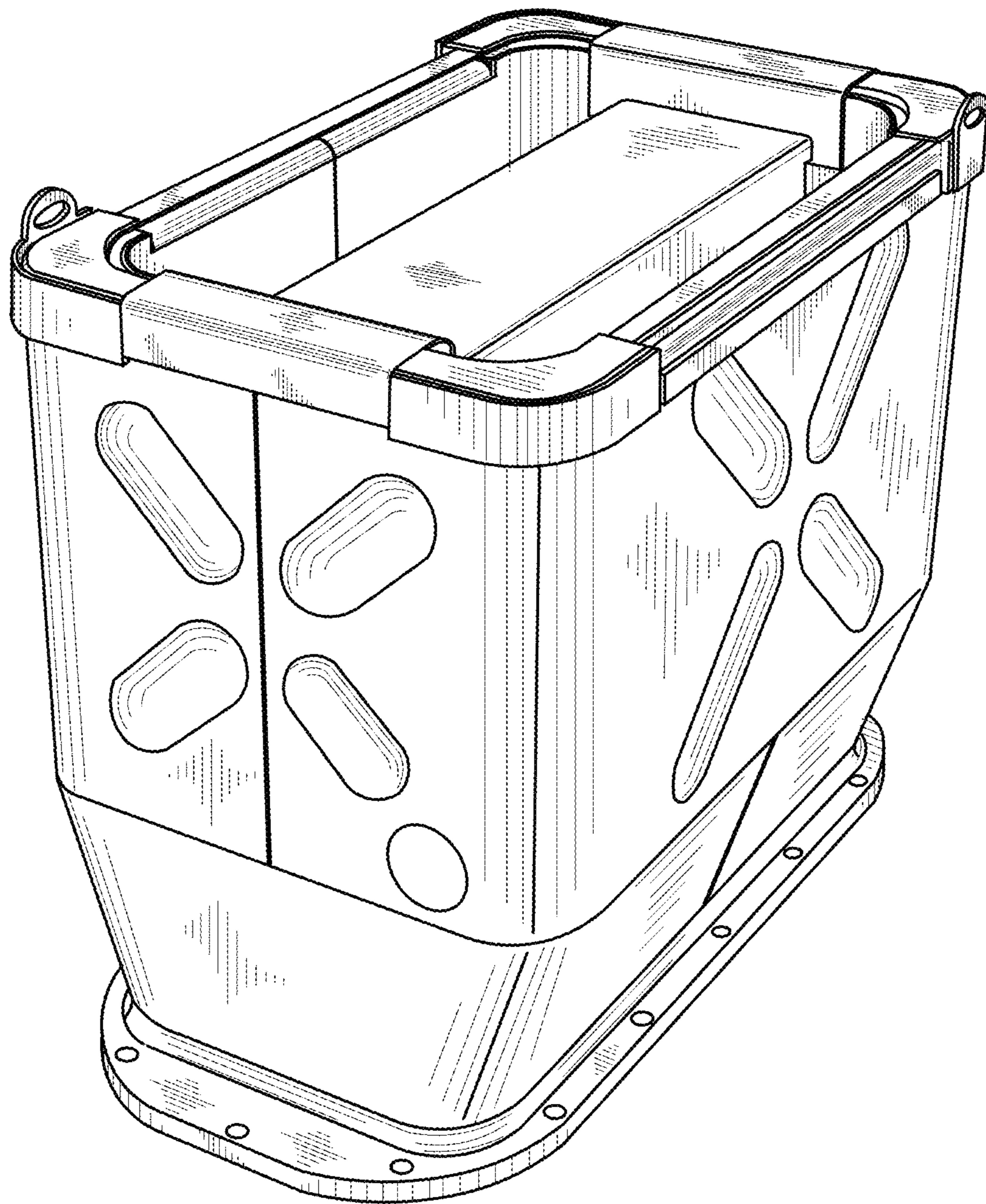


Figure 2

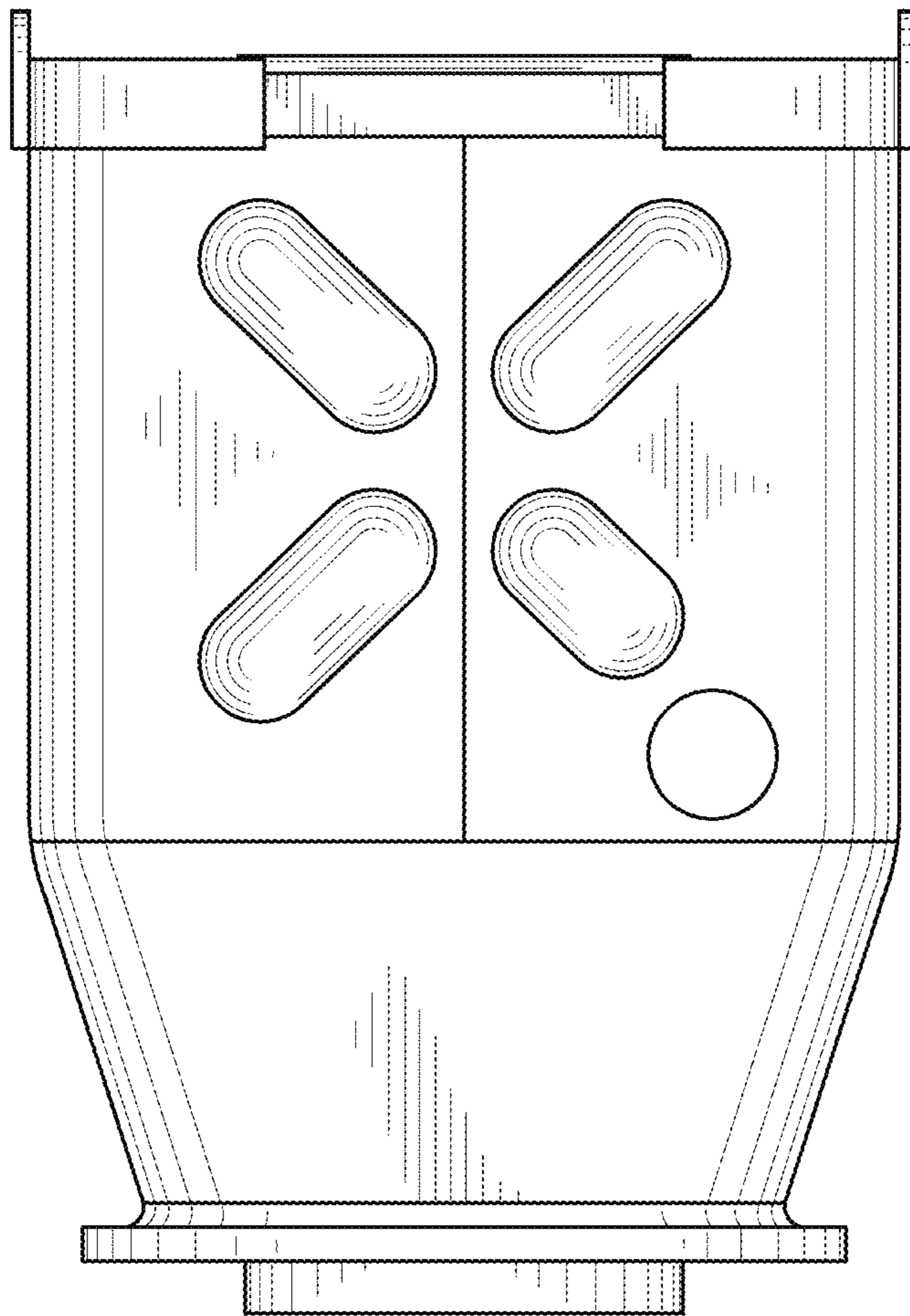


Figure 3

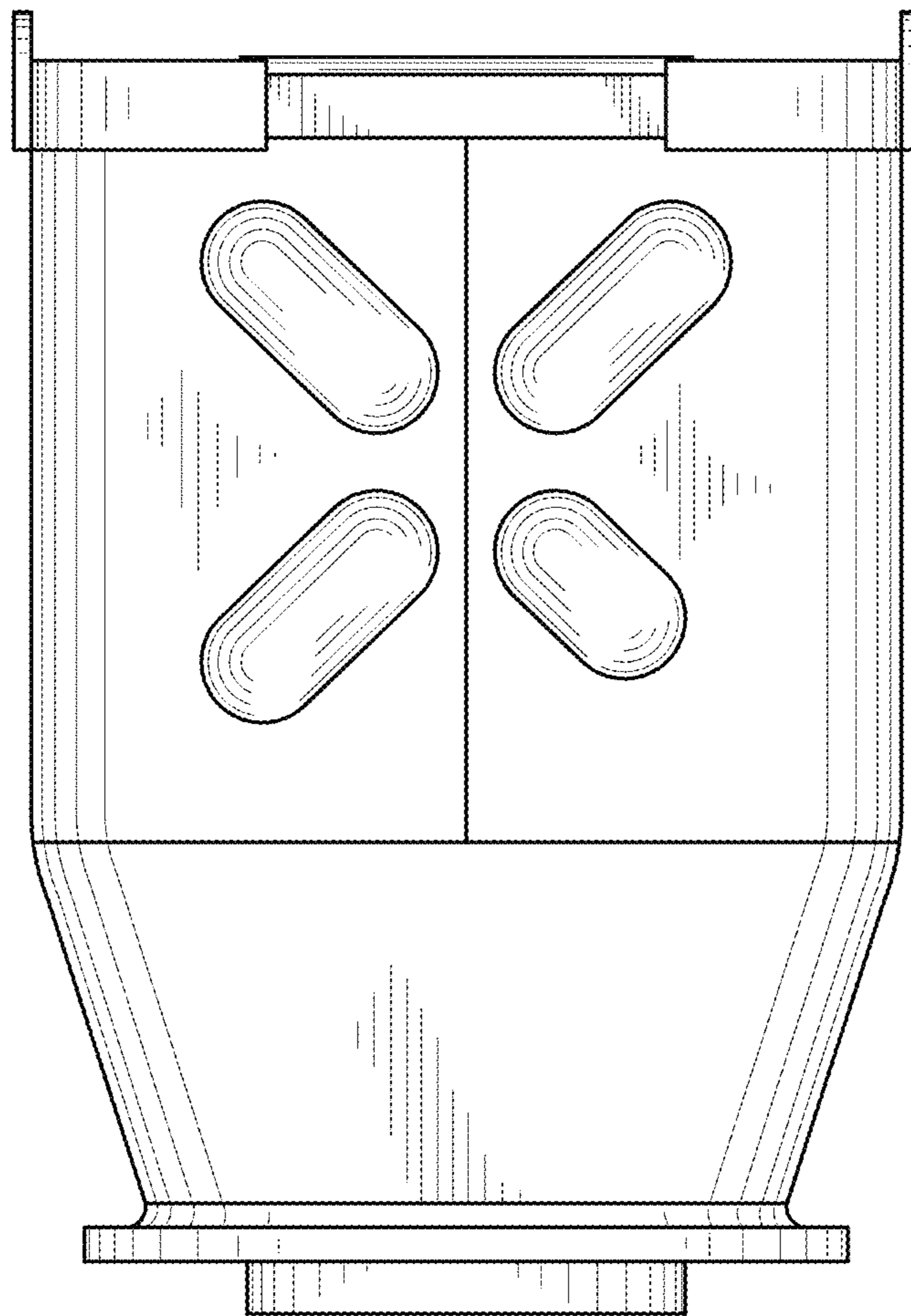


Figure 4

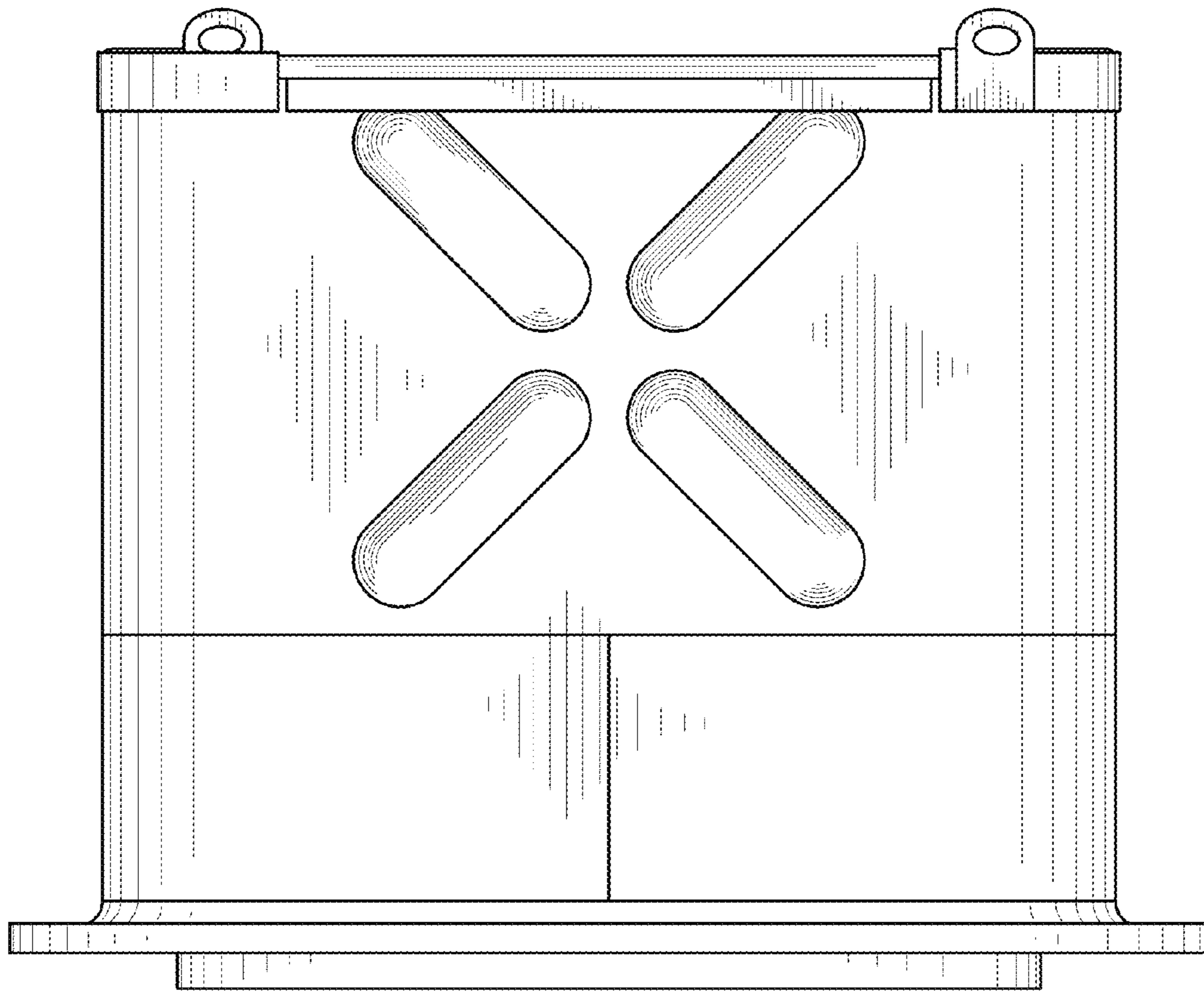


Figure 5

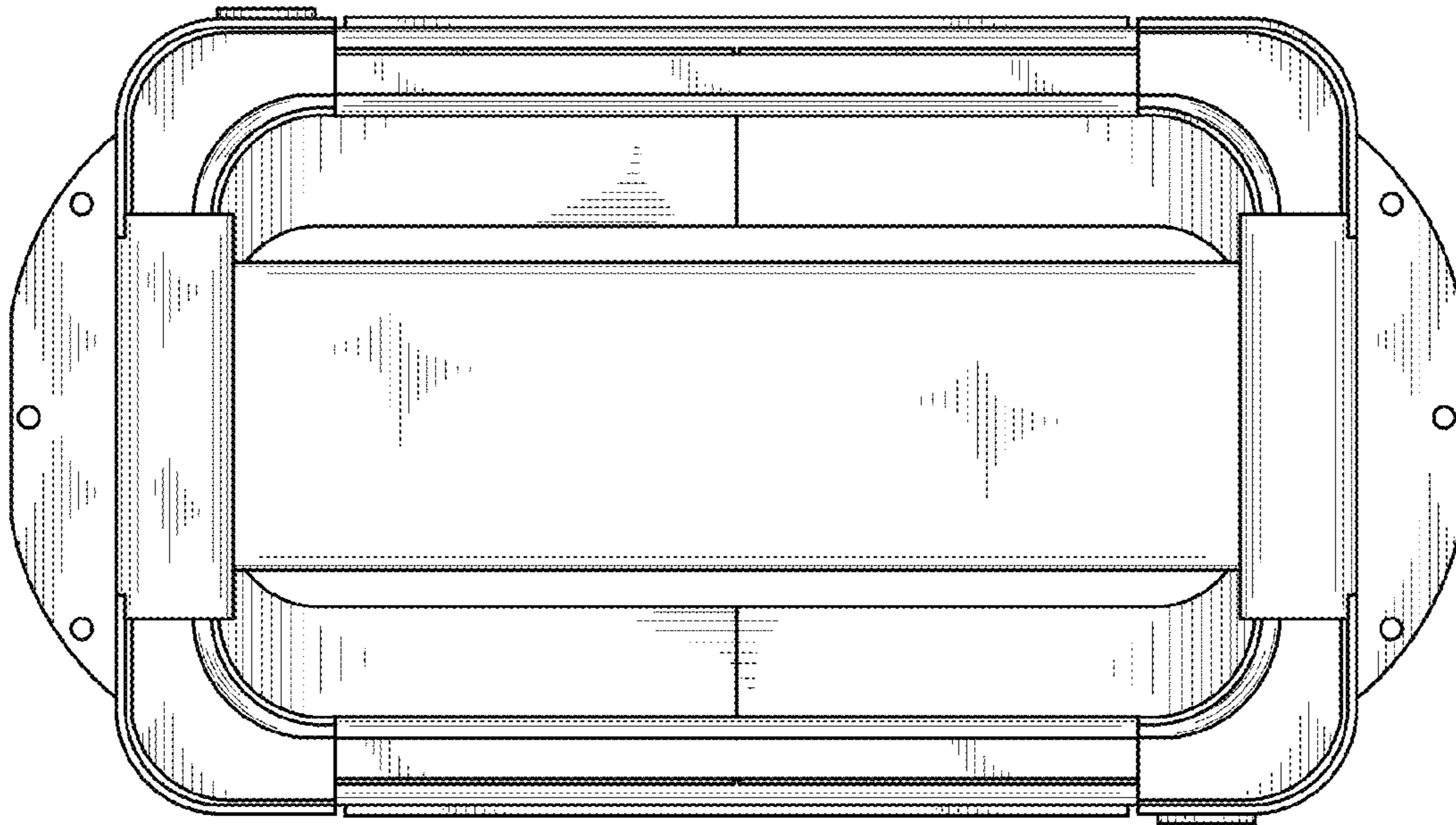


Figure 6

