

US00D694682S

(12) **United States Design Patent**
Johnson

(10) **Patent No.:** **US D694,682 S**
(45) **Date of Patent:** **** Dec. 3, 2013**

(54) **HOOD FOR A VEHICLE**

FOREIGN PATENT DOCUMENTS

(71) Applicant: **Bayerische Motoren Werke Aktiengesellschaft**, Munich (DE)

WO DM/067951 7/2006
WO DM/070931 3/2009

(72) Inventor: **Mark Allen Johnson**, Santa Monica, CA (US)

* cited by examiner

(73) Assignee: **Bayerische Motoren Werke Aktiengesellschaft**, Munich (DE)

Primary Examiner — Susan M Lee

Assistant Examiner — Linda Brooks

(74) *Attorney, Agent, or Firm* — Crowell & Moring LLP

(**) Term: **14 Years**

(57) **CLAIM**

The ornamental design for a hood for a vehicle, as shown and described.

(21) Appl. No.: **29/449,347**

(22) Filed: **Mar. 15, 2013**

DESCRIPTION

(51) **LOC (9) Cl.** **12-16**

(52) **U.S. Cl.**
USPC **D12/173**

(58) **Field of Classification Search**
USPC D12/173, 196, 90-92, 164; 180/69.2, 180/69.21

See application file for complete search history.

This application contains subject matter related to the following co-pending U.S. design patent application:

Application Ser. No. 29/449,346, filed herewith and entitled "Vehicle, Toy, and/or Replicas Thereof".

FIG. 1 is a top view of a hood for a vehicle according to the design;

FIG. 2 is a front view thereof;

FIG. 3 is a right, front perspective view thereof, the left, front perspective view being a mirror image;

FIG. 4 is a right, rear perspective view thereof, the left, rear perspective view being a mirror image;

FIG. 5 is a right side view thereof, the left side view being a mirror image;

FIG. 6 is a rear view thereof; and,

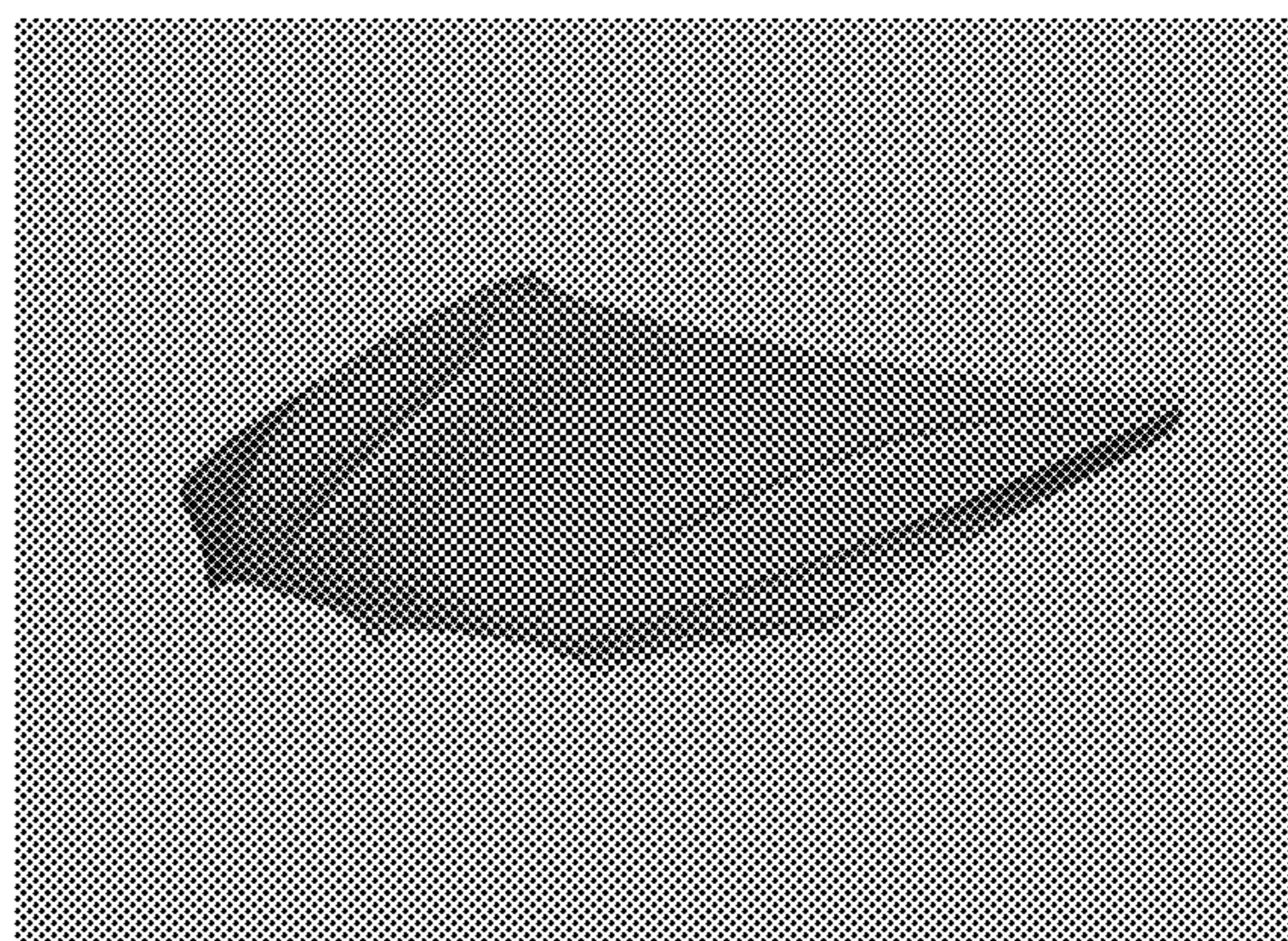
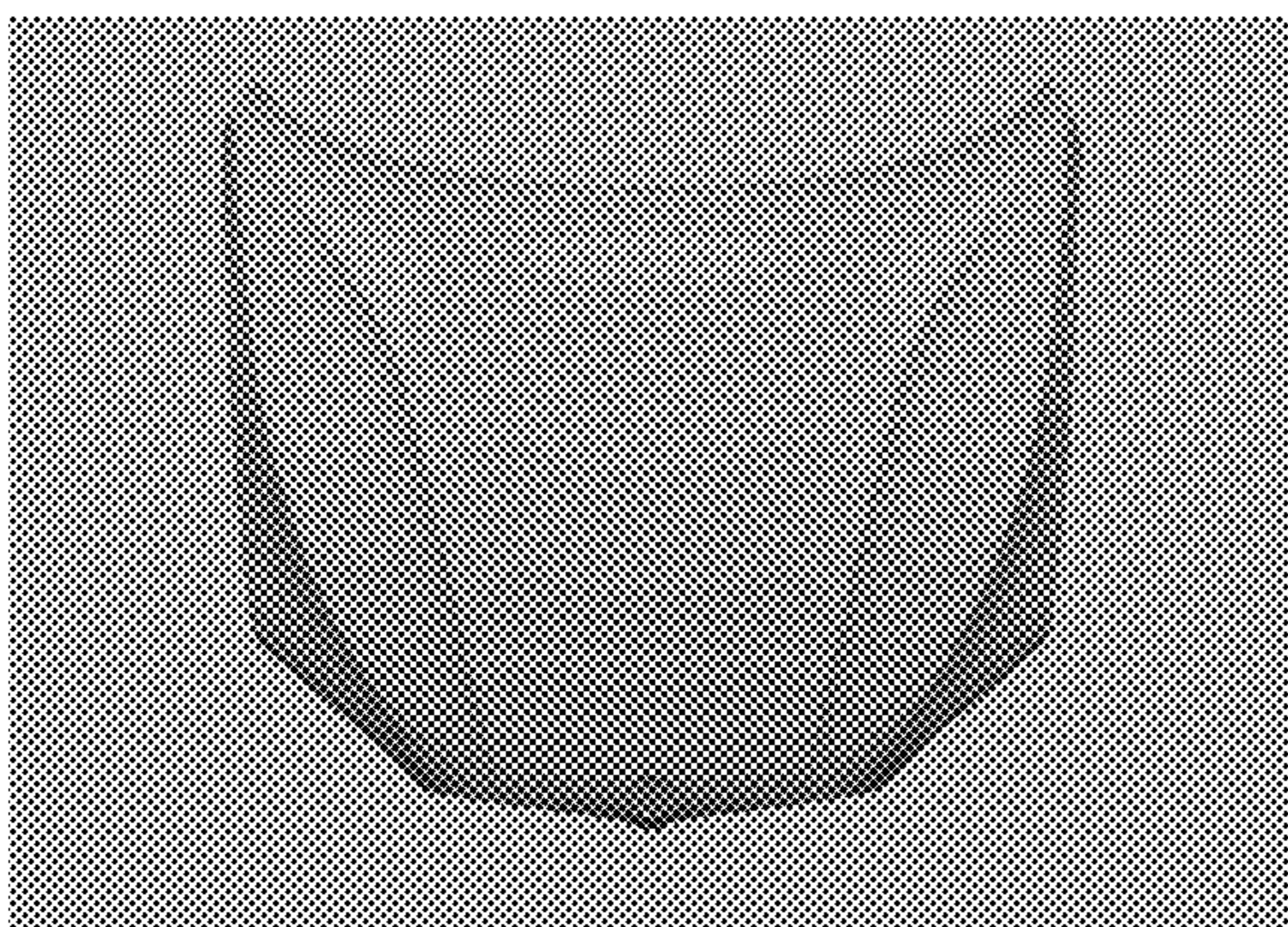
FIG. 7 is a bottom view thereof.

(56) **References Cited**

U.S. PATENT DOCUMENTS

D560,146 S	1/2008	Leclercq	
D563,293 S *	3/2008	Pfeiffer	D12/173
D662,013 S *	6/2012	Hakamata et al.	D12/173
D666,540 S *	9/2012	Karras et al.	D12/173
D669,403 S *	10/2012	Gifford	D12/173
D679,227 S *	4/2013	Schmeckpeper	D12/173
D681,521 S *	5/2013	Yamamoto et al.	D12/173

1 Claim, 7 Drawing Sheets



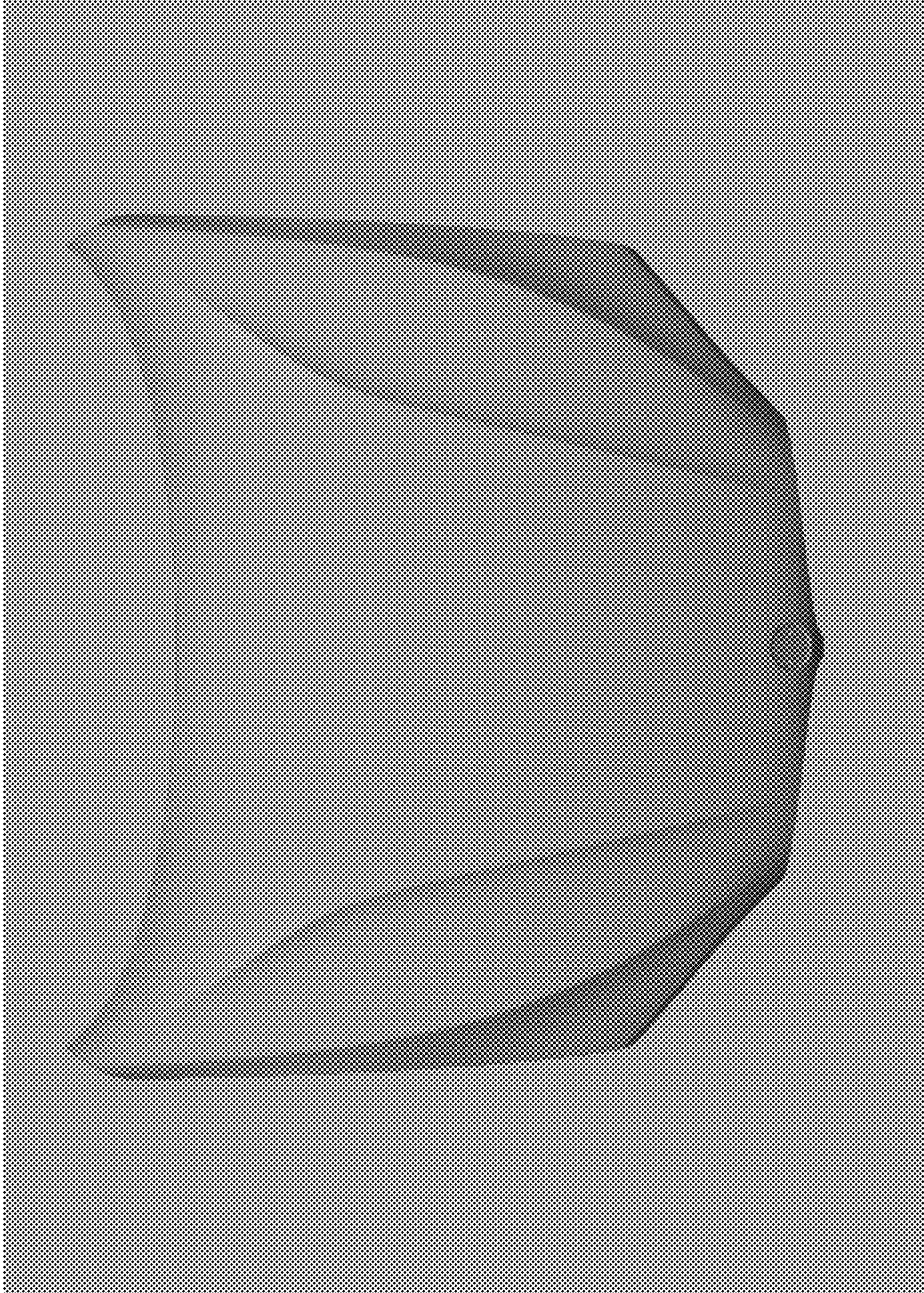


Fig. 1

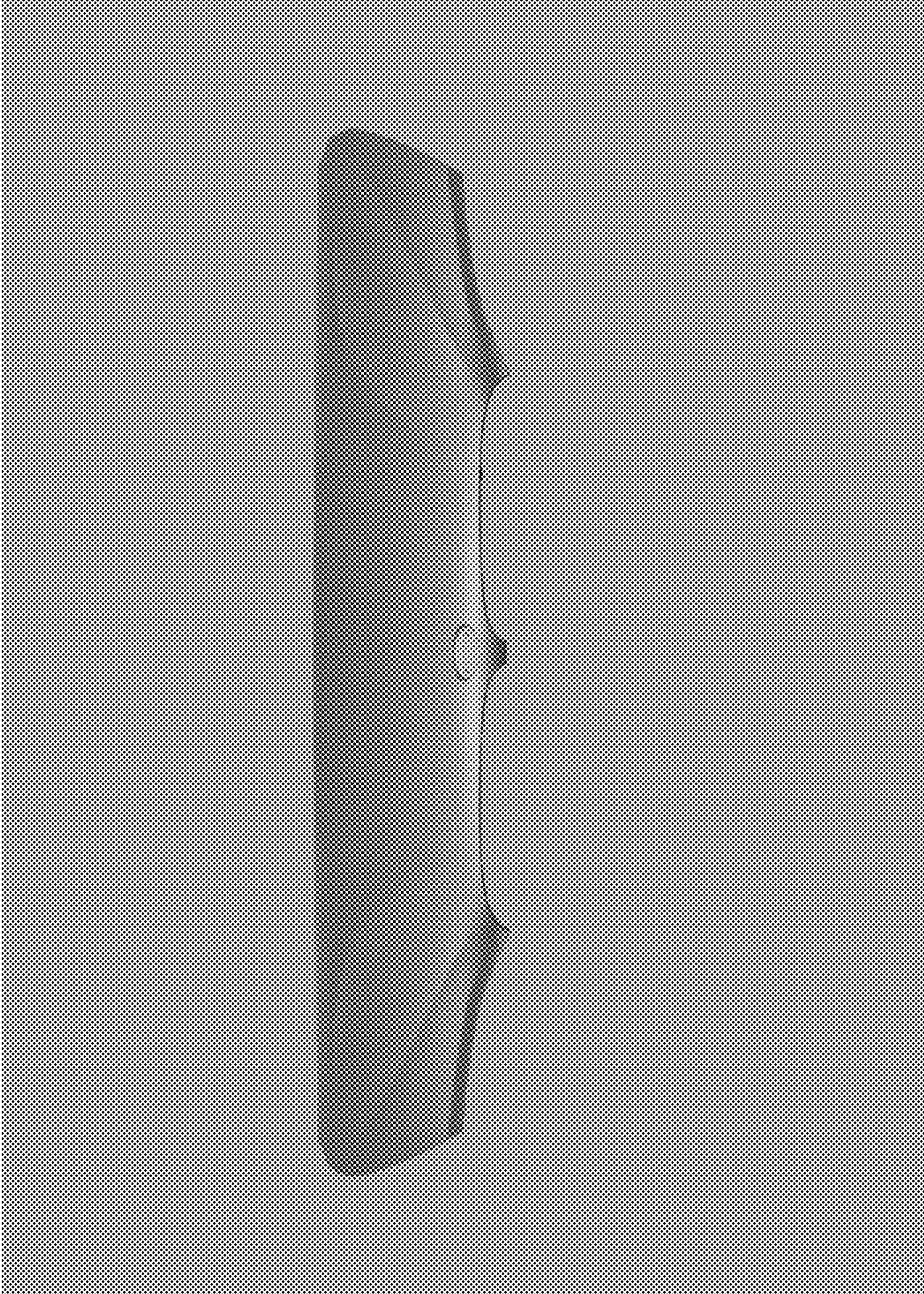


Fig. 2

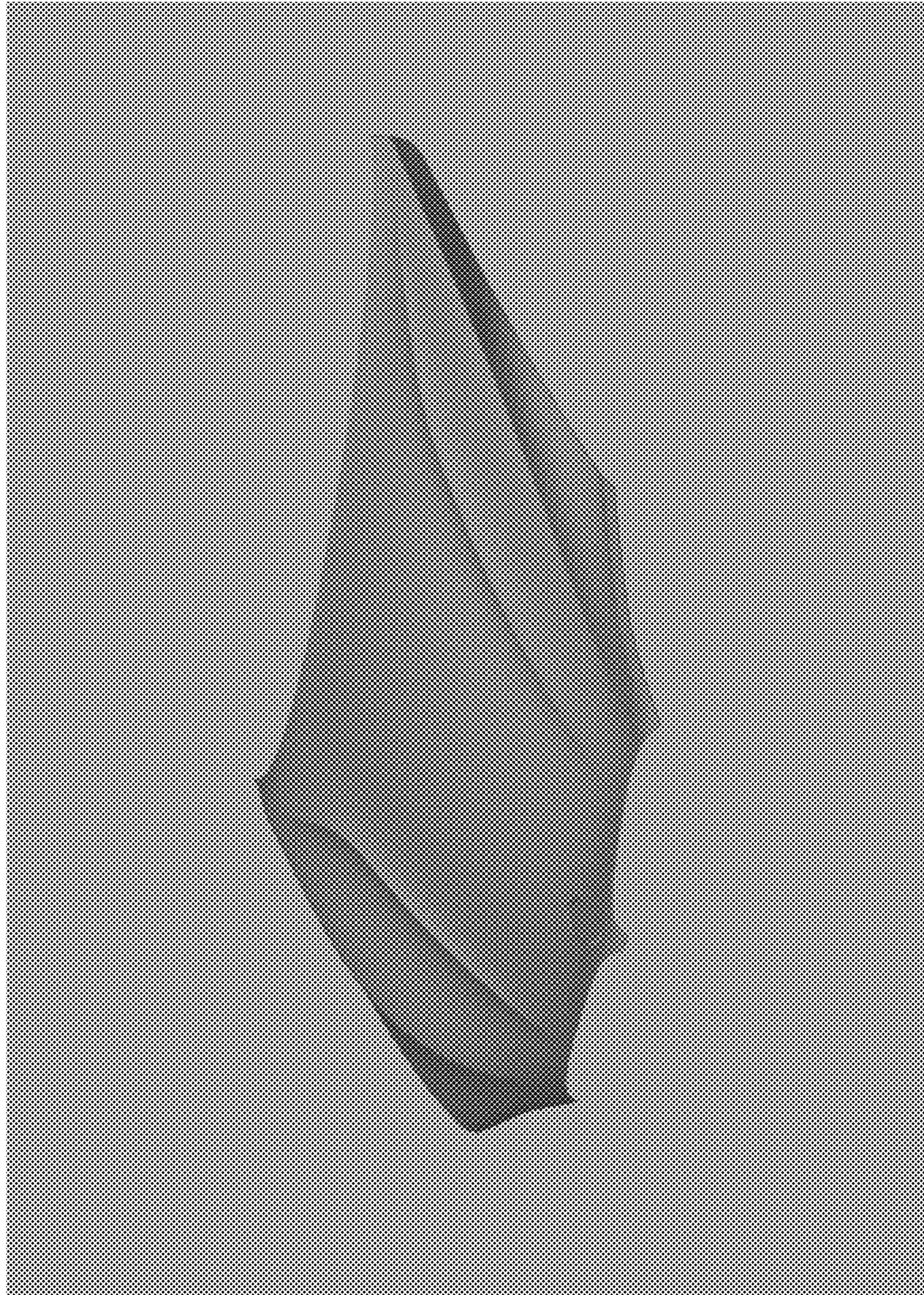


Fig. 3

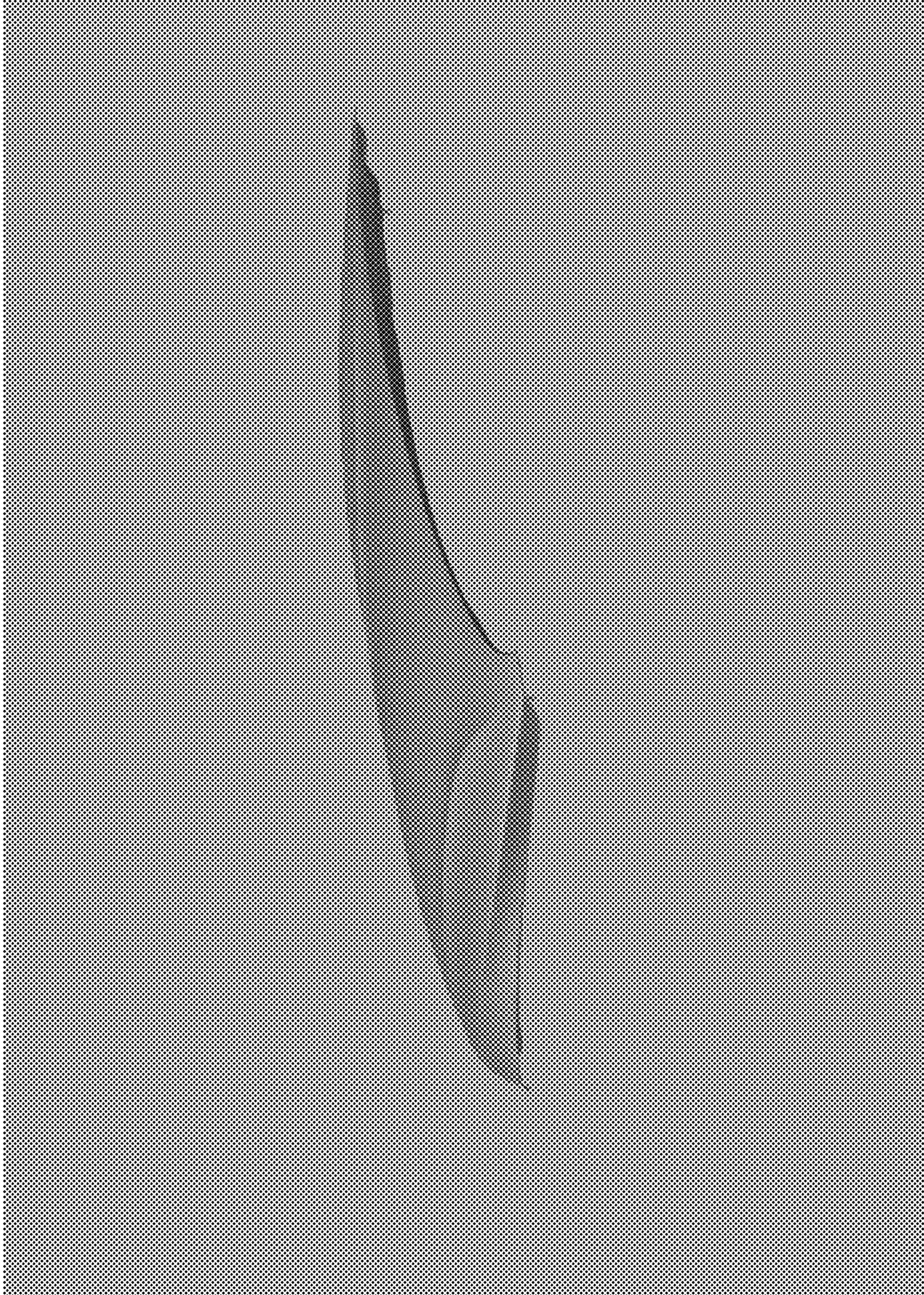


Fig. 4

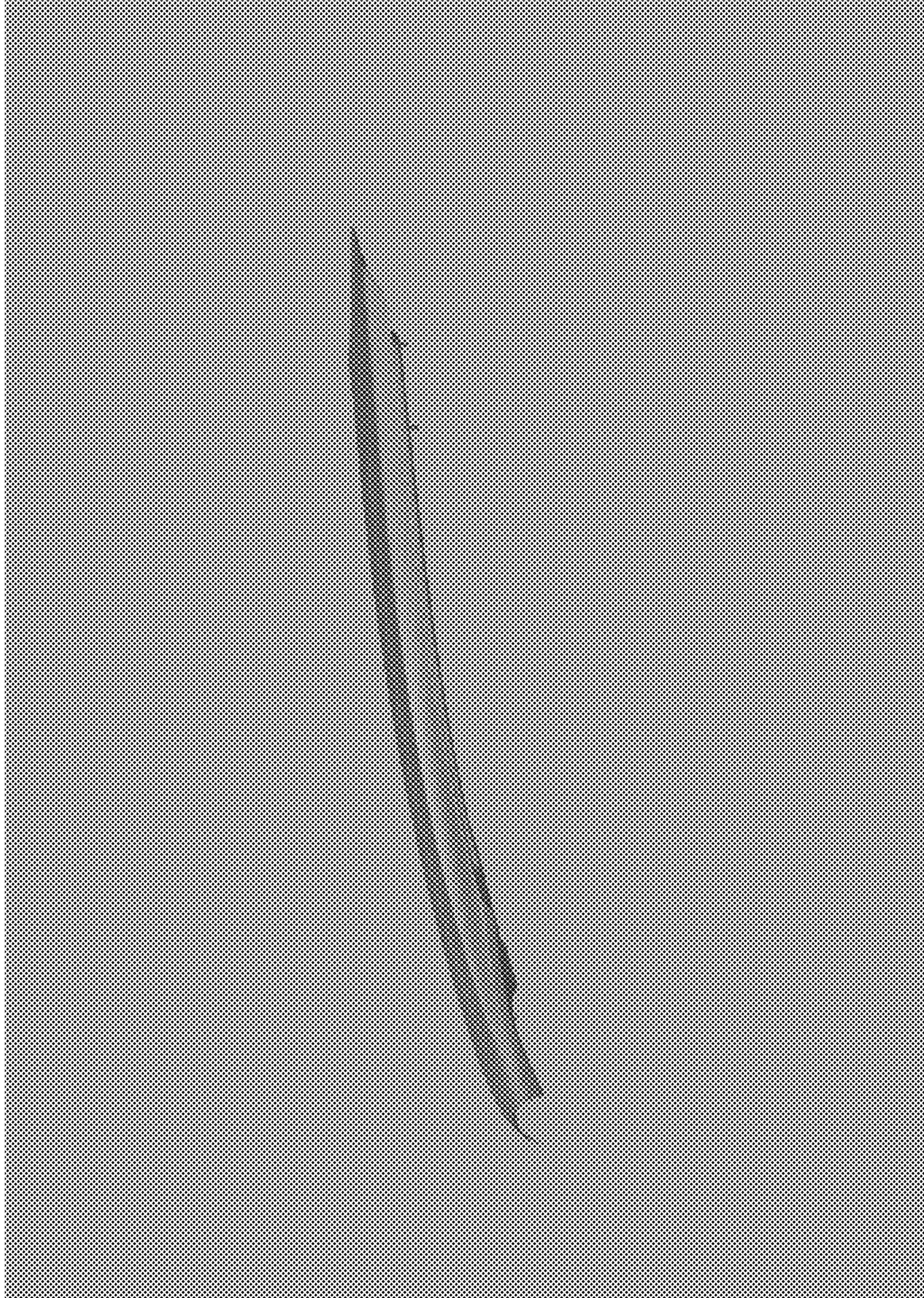


Fig. 5



Fig. 6

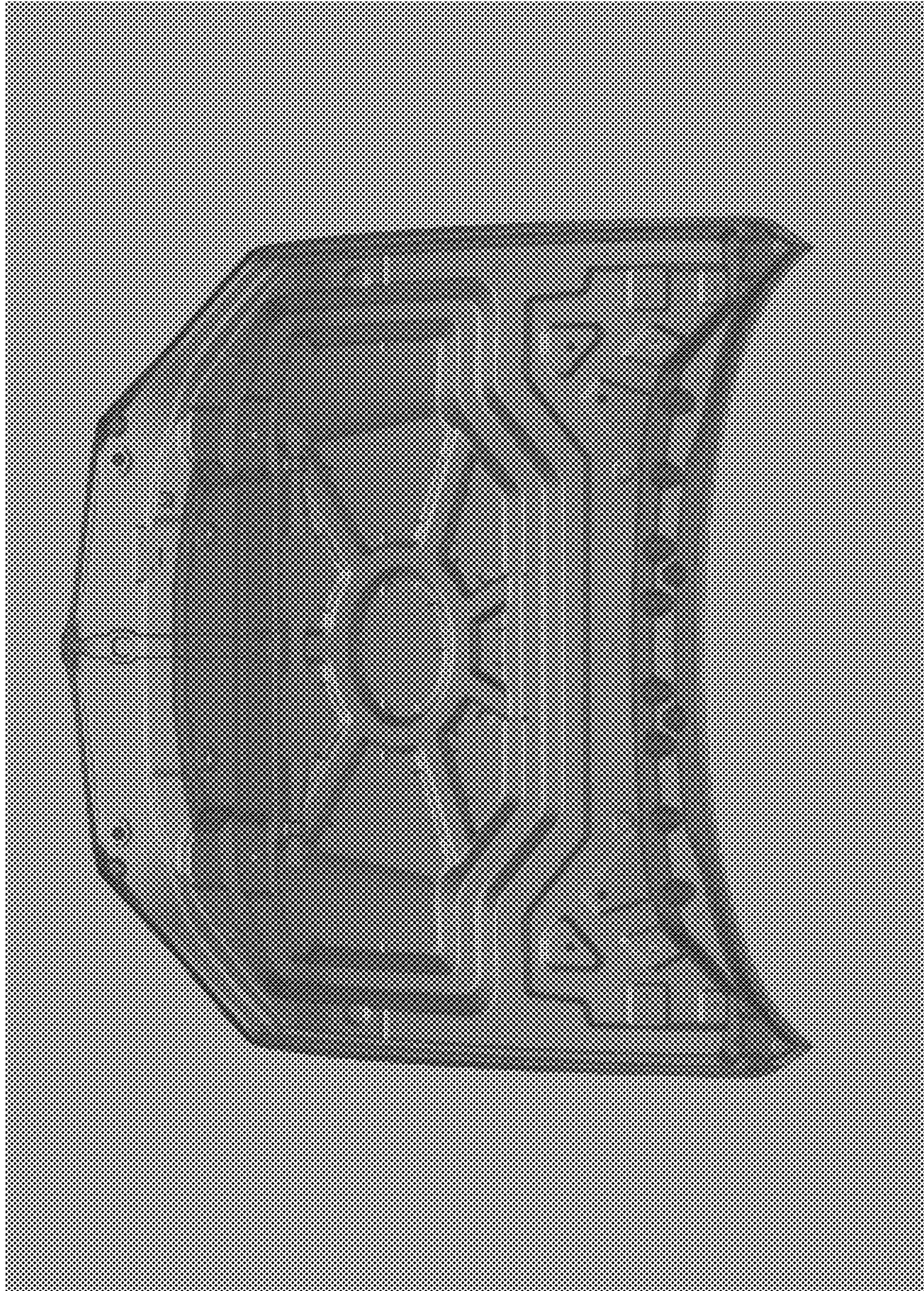


Fig. 7