

US00D694680S

(12) **United States Design Patent**
Campbell et al.

(10) **Patent No.:** **US D694,680 S**

(45) **Date of Patent:** **** Dec. 3, 2013**

(54) **VEHICLE REAR BUMPER COVER MOLDING**

(71) Applicant: **Ford Global Technologies, LLC,**
Dearborn, MI (US)

(72) Inventors: **Paul Campbell, Essex (GB); Jordan Bennett, London (GB)**

(73) Assignee: **Ford Motor Company, Dearborn, MI (US)**

(**) Term: **14 Years**

(21) Appl. No.: **29/435,948**

(22) Filed: **Oct. 31, 2012**

(30) **Foreign Application Priority Data**

May 4, 2012 (DE) 402012100339

(51) **LOC (9) Cl.** **12-16**

(52) **U.S. Cl.**
USPC **D12/169**

(58) **Field of Classification Search**
USPC D12/90, 91, 92, 169, 196; 180/68.1, 180/68.6; 296/102, 113, 115, 193.11
See application file for complete search history.

(56) **References Cited**

U.S. PATENT DOCUMENTS

D357,666 S * 4/1995 Ramaciotti D12/196
D414,153 S * 9/1999 Sacco et al. D12/196
D423,429 S * 4/2000 Hickman et al. D12/169
6,540,276 B2 * 4/2003 Azuchi et al. 293/102
D519,069 S * 4/2006 Clark et al. D12/169

D540,722 S * 4/2007 Angelo et al. D12/169
D567,725 S * 4/2008 Spearman-Oxx et al. ... D12/169
7,891,714 B2 * 2/2011 Takemura 293/117
D637,119 S * 5/2011 Lamm et al. D12/169
D637,121 S * 5/2011 Lamm et al. D12/169
D653,999 S * 2/2012 Peltola et al. D12/169
D666,132 S * 8/2012 Armbruster D12/196
D669,826 S * 10/2012 Svensson et al. D12/169

* cited by examiner

Primary Examiner — Philip S Hyder

Assistant Examiner — Darlington Ly

(74) *Attorney, Agent, or Firm* — Damian Porcari

(57) **CLAIM**

The ornamental design for a vehicle rear bumper cover molding, shown and described.

DESCRIPTION

FIG. 1 is a top plan view of a vehicle rear bumper cover molding;

FIG. 2 is a bottom plan view of the vehicle rear bumper cover molding;

FIG. 3 is front elevational view of the vehicle rear bumper cover molding;

FIG. 4 is rear elevational view of the vehicle rear bumper cover molding;

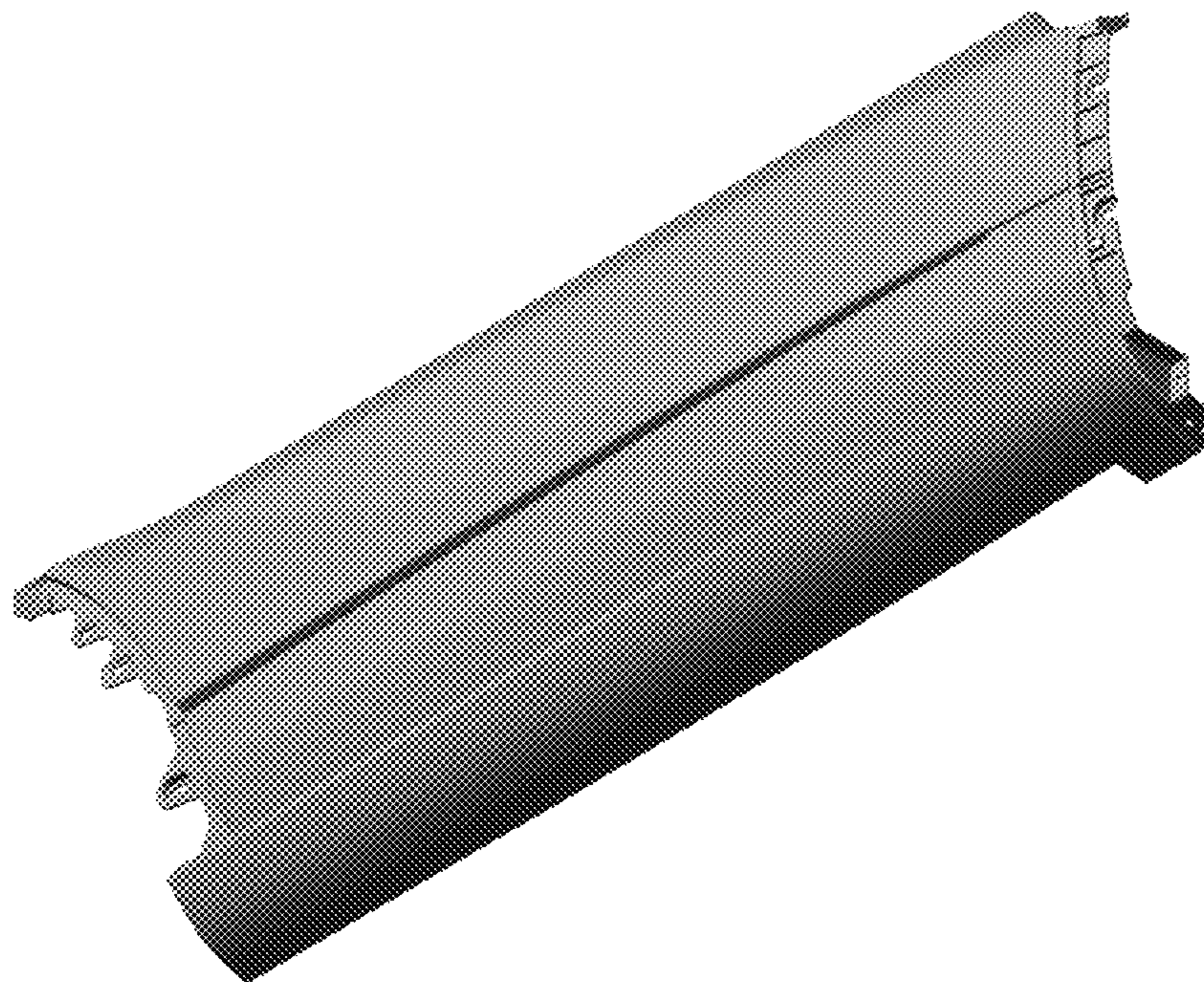
FIG. 5 is a left side elevational view of the vehicle rear bumper cover molding;

FIG. 6 is a right side elevational view of the vehicle rear bumper cover molding;

FIG. 7 is a top, front, and right-side perspective view of the vehicle rear bumper cover molding; and,

FIG. 8 is a top, rear, and right side perspective view of the vehicle rear bumper cover molding.

1 Claim, 8 Drawing Sheets



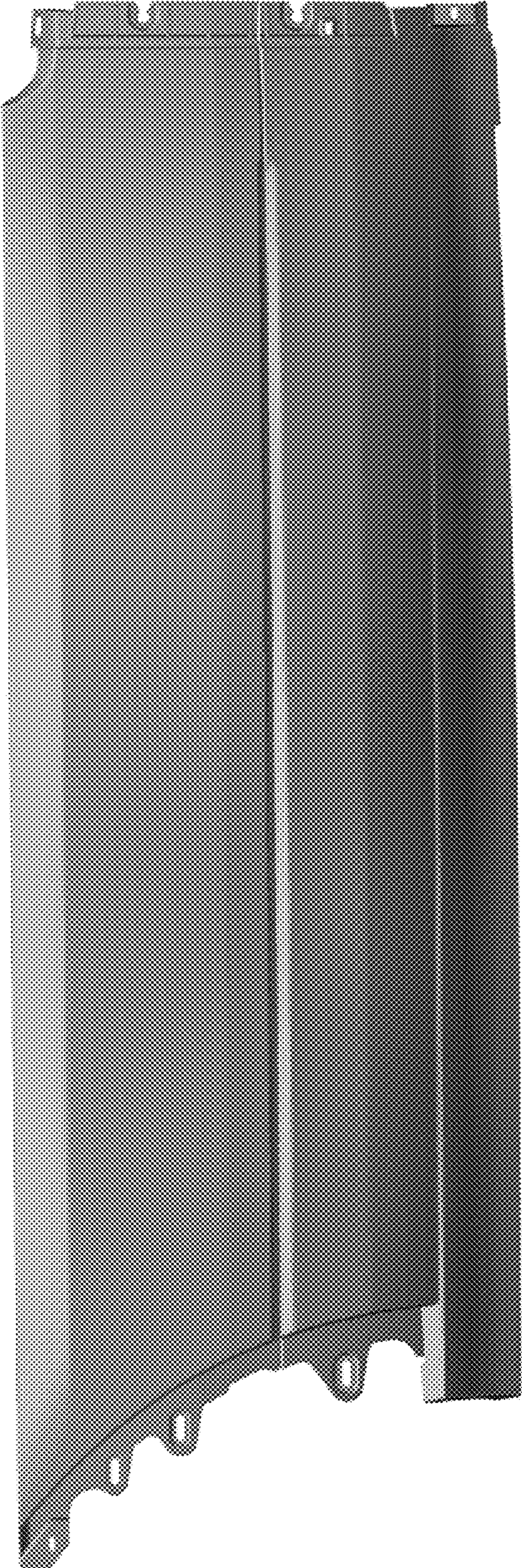


Figure 1

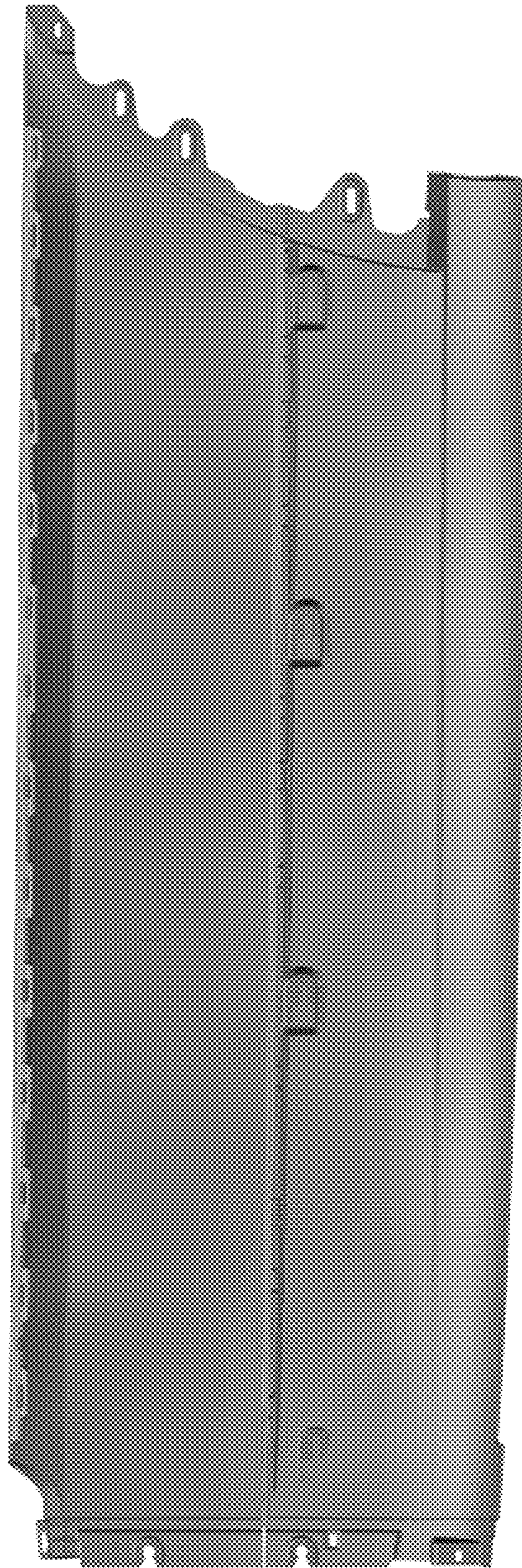


Figure 2



Figure 3



Figure 4

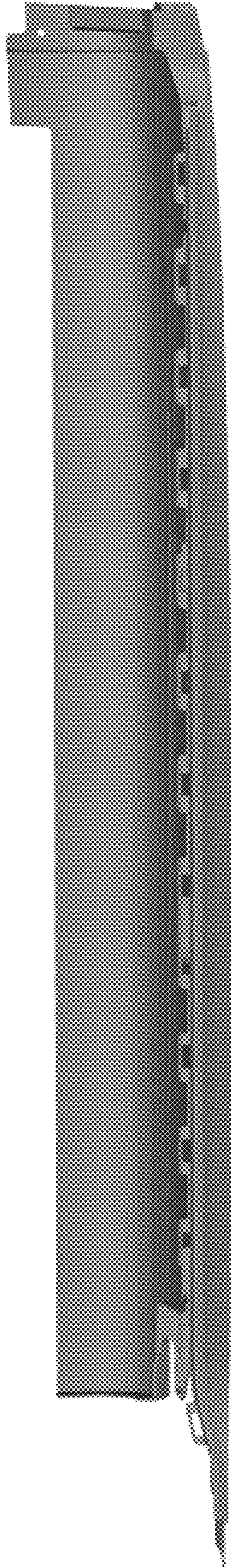


Figure 5

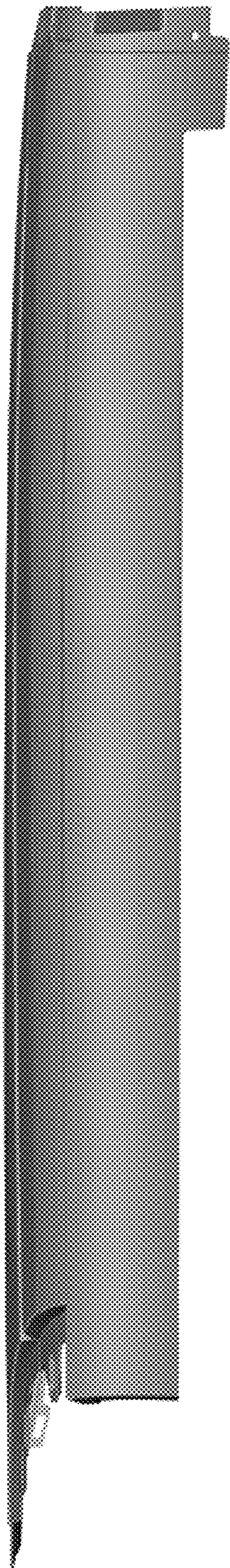


Figure 6



Figure 7

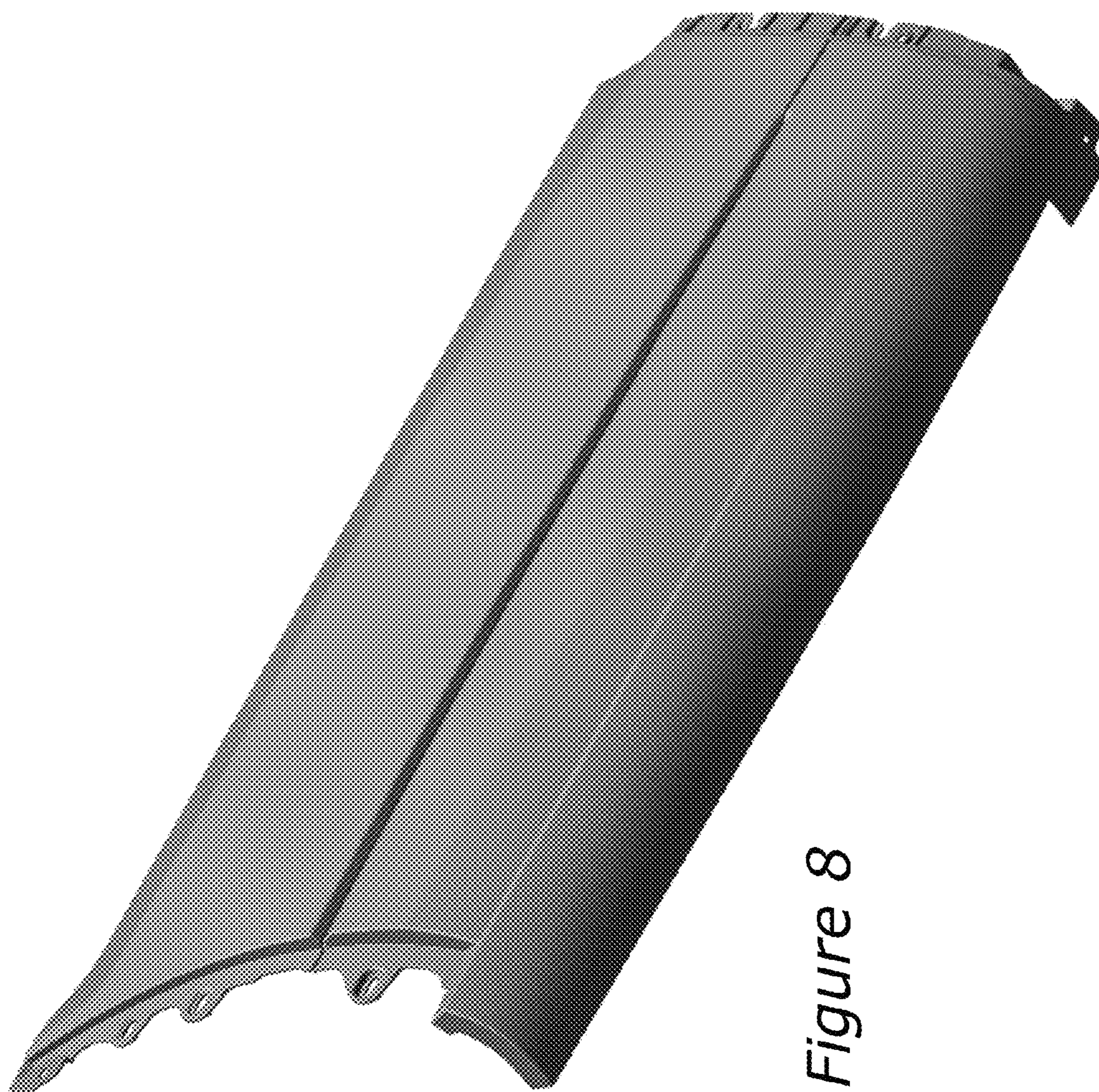


Figure 8