



US00D694674S

(12) **United States Design Patent**  
**Higgins**

(10) **Patent No.:** **US D694,674 S**

(45) **Date of Patent:** **\*\* Dec. 3, 2013**

(54) **BICYCLE RACK**

(76) Inventor: **Andrew Sean Higgins**, Independence,  
IA (US)

(\*\*) Term: **14 Years**

(21) Appl. No.: **29/425,316**

(22) Filed: **Jun. 21, 2012**

(51) **LOC (9) Cl.** ..... **12-11**

(52) **U.S. Cl.**  
USPC ..... **D12/115**

(58) **Field of Classification Search**  
USPC ..... D12/115, 120; D6/552, 553; 211/5,  
211/17-19; D8/373, 376, 380, 396  
See application file for complete search history.

(56) **References Cited**

**U.S. PATENT DOCUMENTS**

3,782,559	A *	1/1974	Wright	.....	211/17
D240,351	S *	6/1976	Generalis	.....	D8/371
4,392,572	A *	7/1983	Bernard	.....	211/19
D270,879	S *	10/1983	Jacobson	.....	D8/367
4,552,270	A *	11/1985	Lentz et al.	.....	211/17
4,555,029	A *	11/1985	Fiol	.....	211/22

5,984,111	A *	11/1999	Pennella	.....	211/5
6,302,278	B1 *	10/2001	Dueck	.....	211/17
D539,637	S *	4/2007	Ly Hau et al.	.....	D8/373
2010/0237027	A1 *	9/2010	Shaha et al.	.....	211/17

\* cited by examiner

*Primary Examiner* — Susan M Lee

*Assistant Examiner* — Linda Brooks

(74) *Attorney, Agent, or Firm* — Merchant & Gould P.C.

(57) **CLAIM**

The ornamental design for a bicycle rack, as shown and described.

**DESCRIPTION**

FIG. 1 is a perspective view of a bicycle rack.  
FIG. 2 is a front view of the bicycle rack of FIG. 1.  
FIG. 3 is a back view of the bicycle rack of FIG. 1.  
FIG. 4 is a first side view of the bicycle rack of FIG. 1.  
FIG. 5 is second side view of the bicycle rack of FIG. 1.  
FIG. 6 is a top view of the bicycle rack of FIG. 1; and,  
FIG. 7 is a bottom view of the bicycle rack of FIG. 1.  
The broken lines illustrate unclaimed portions of the bicycle rack.

**1 Claim, 6 Drawing Sheets**

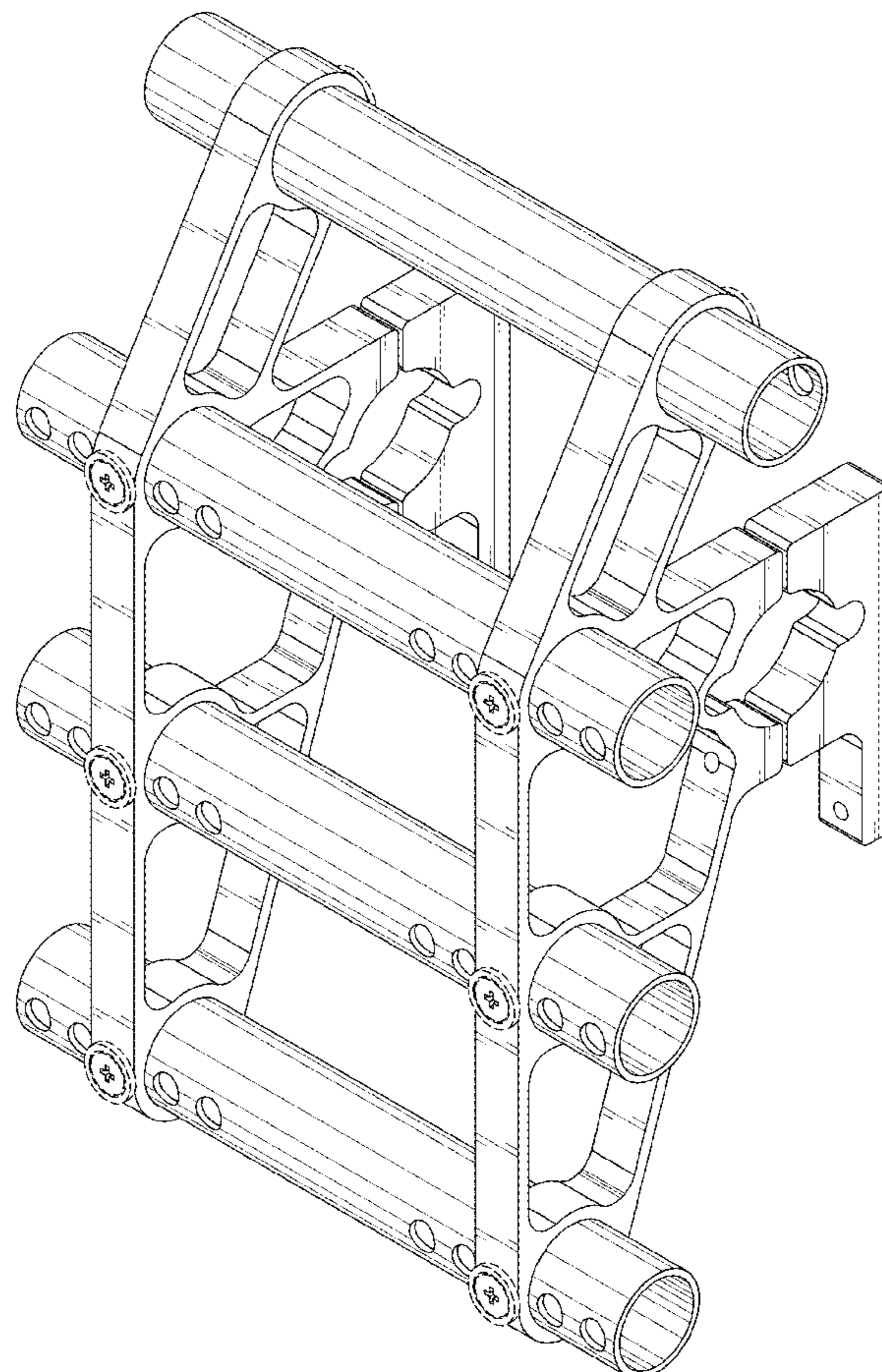


FIG. 1

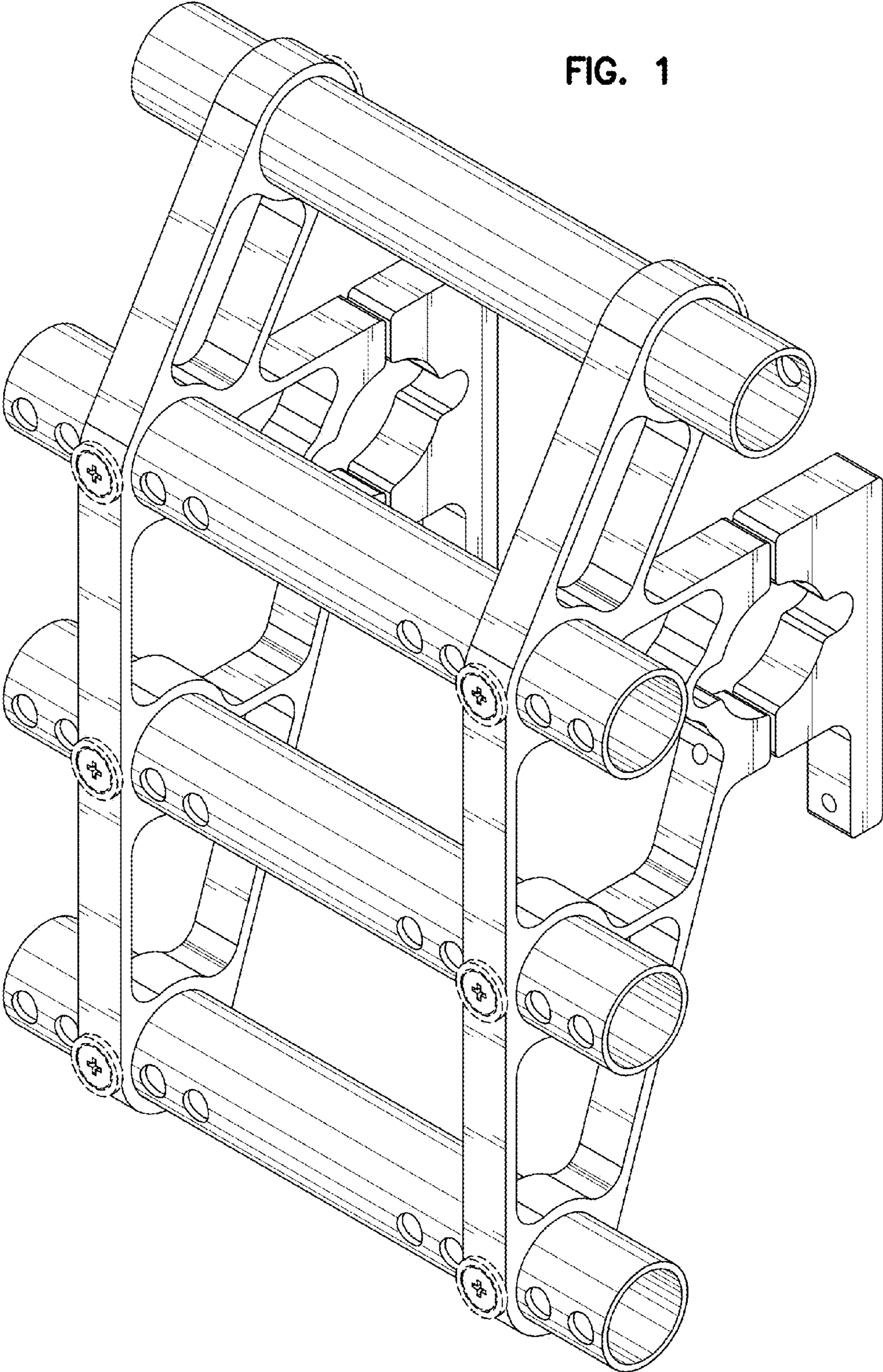


FIG. 2

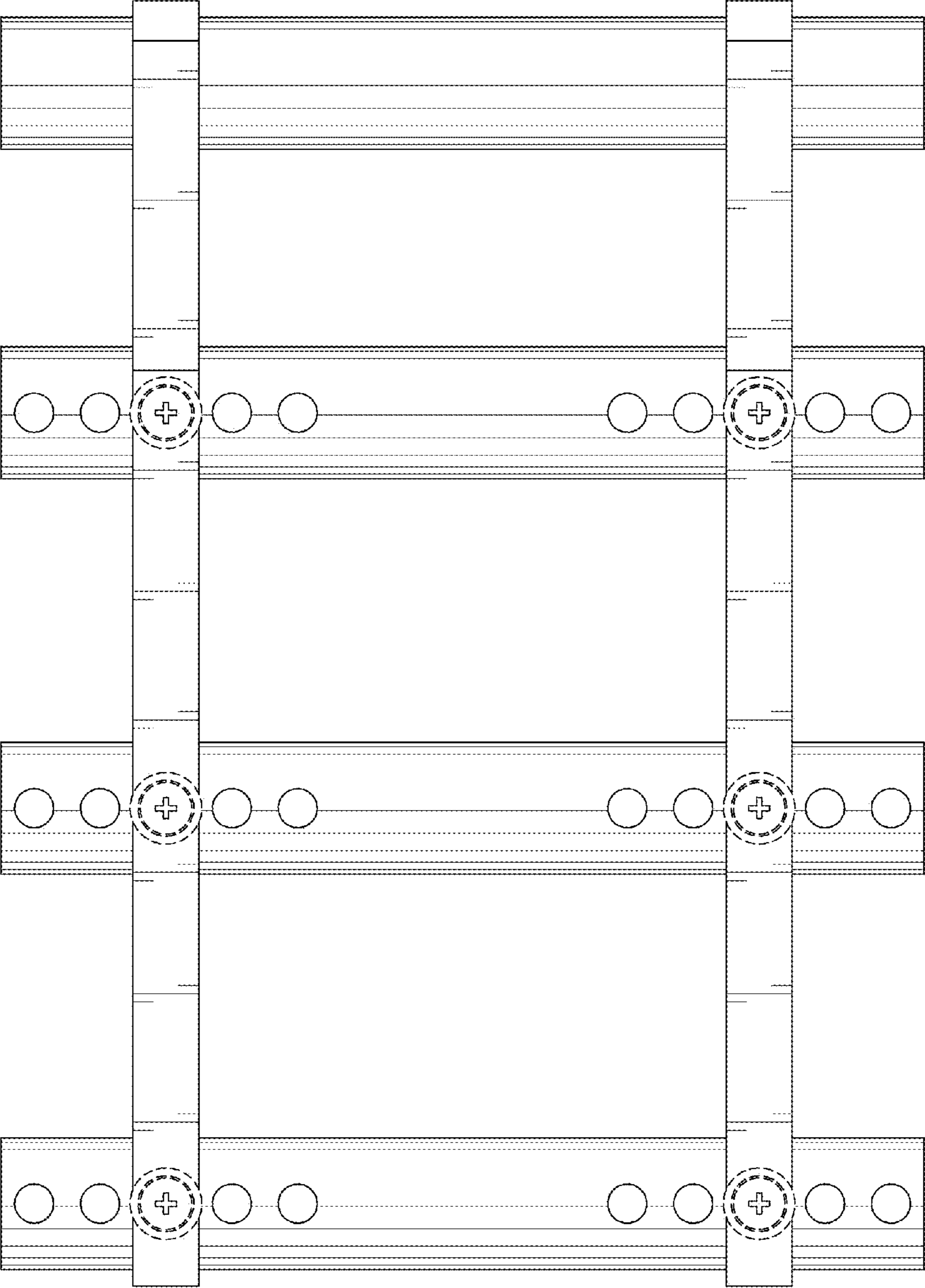


FIG. 3

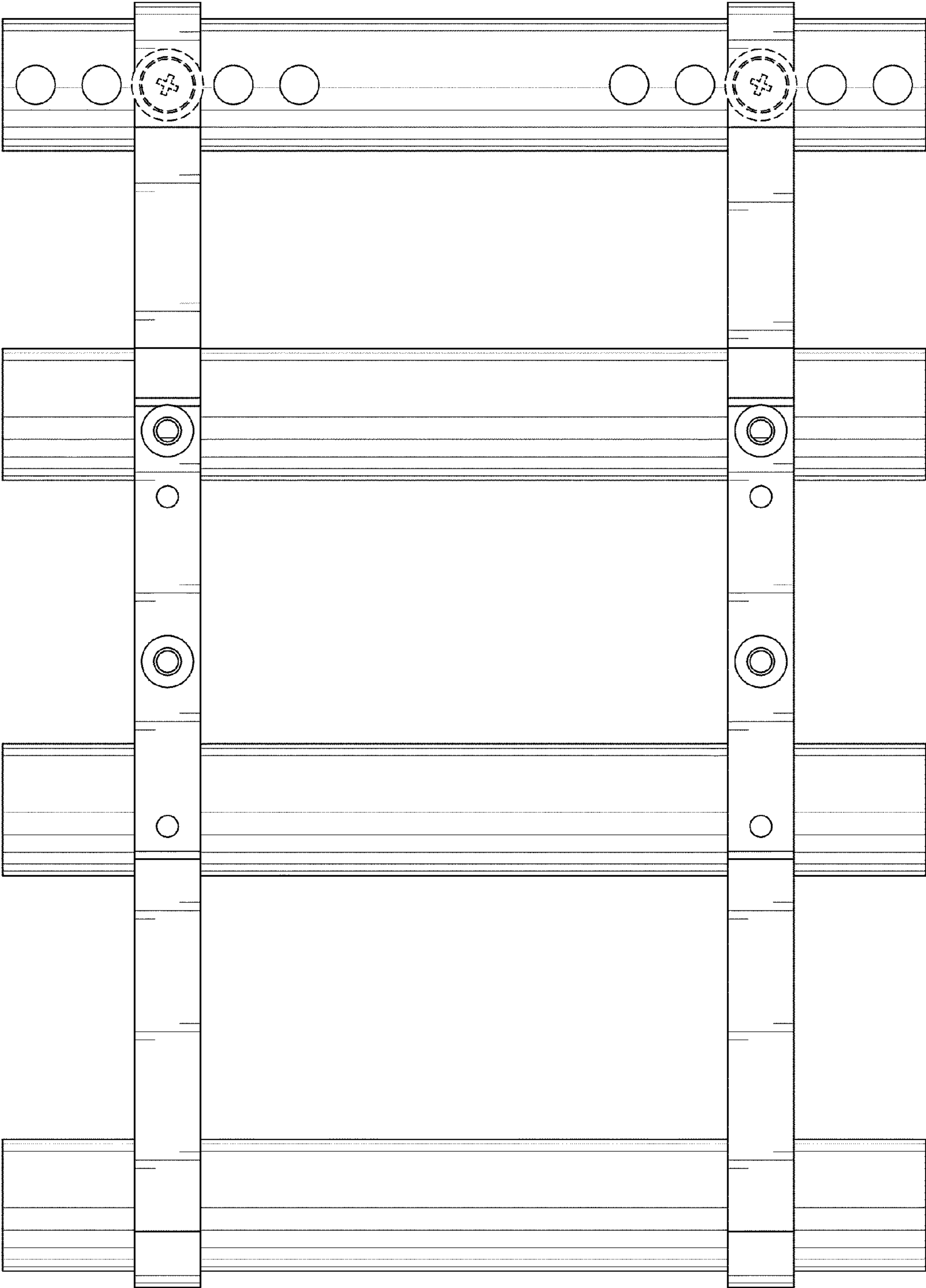


FIG. 4

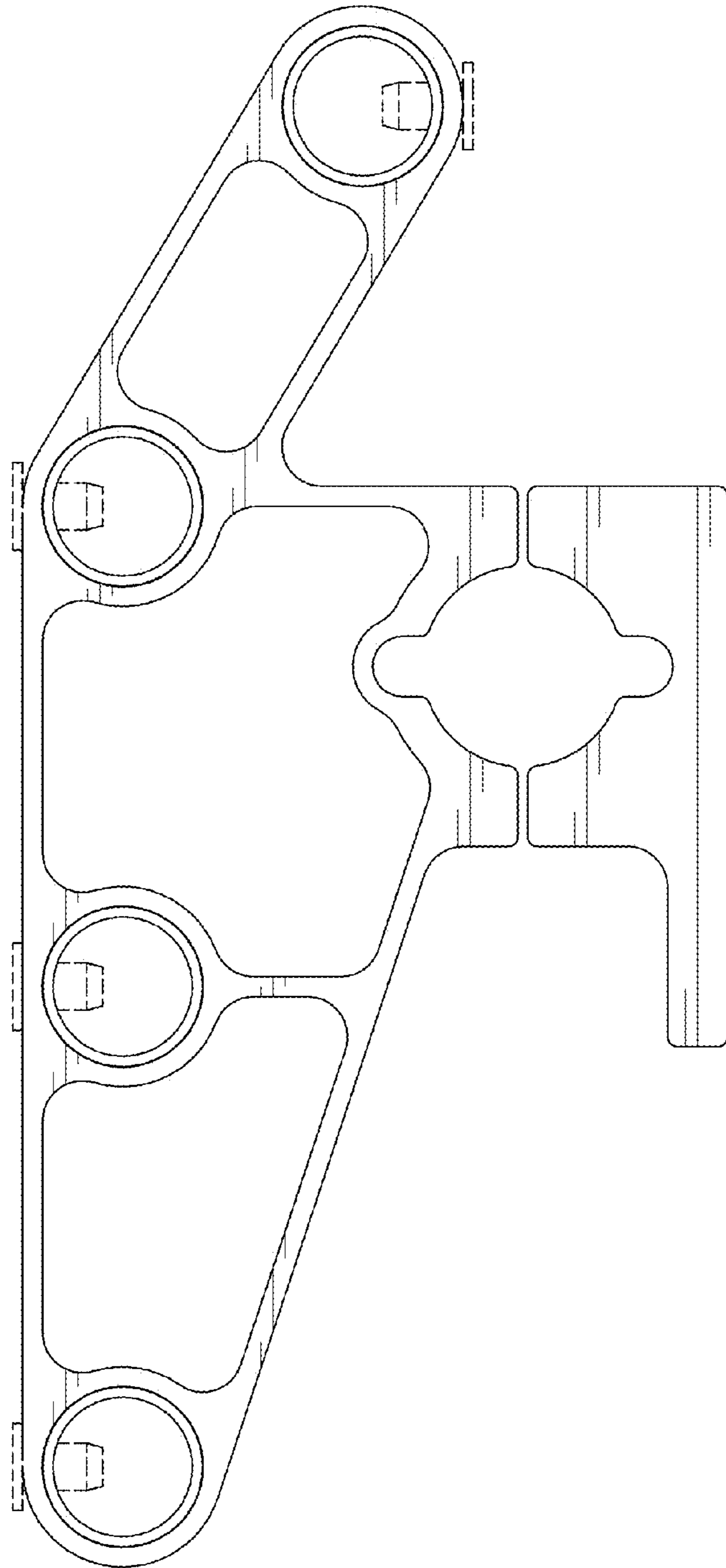


FIG. 5

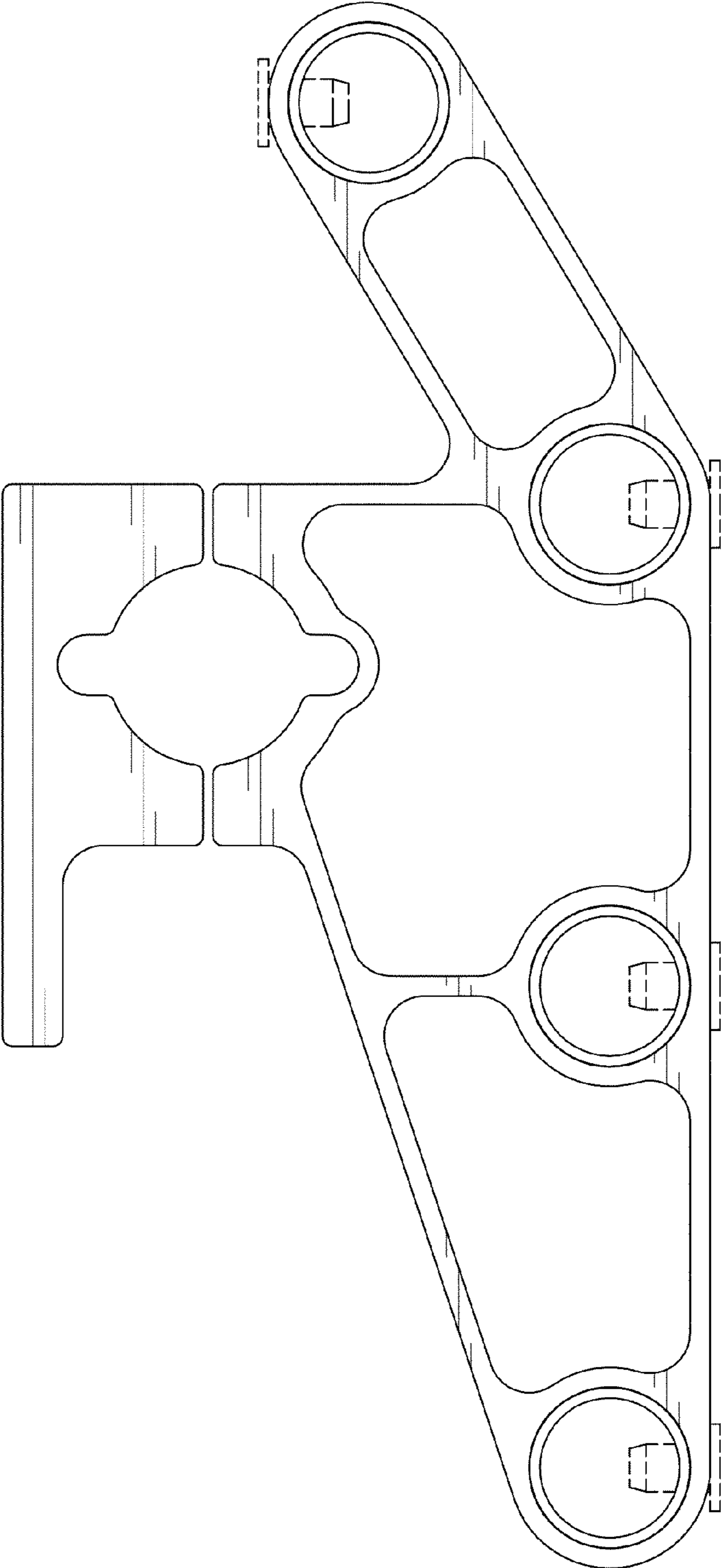


FIG. 6

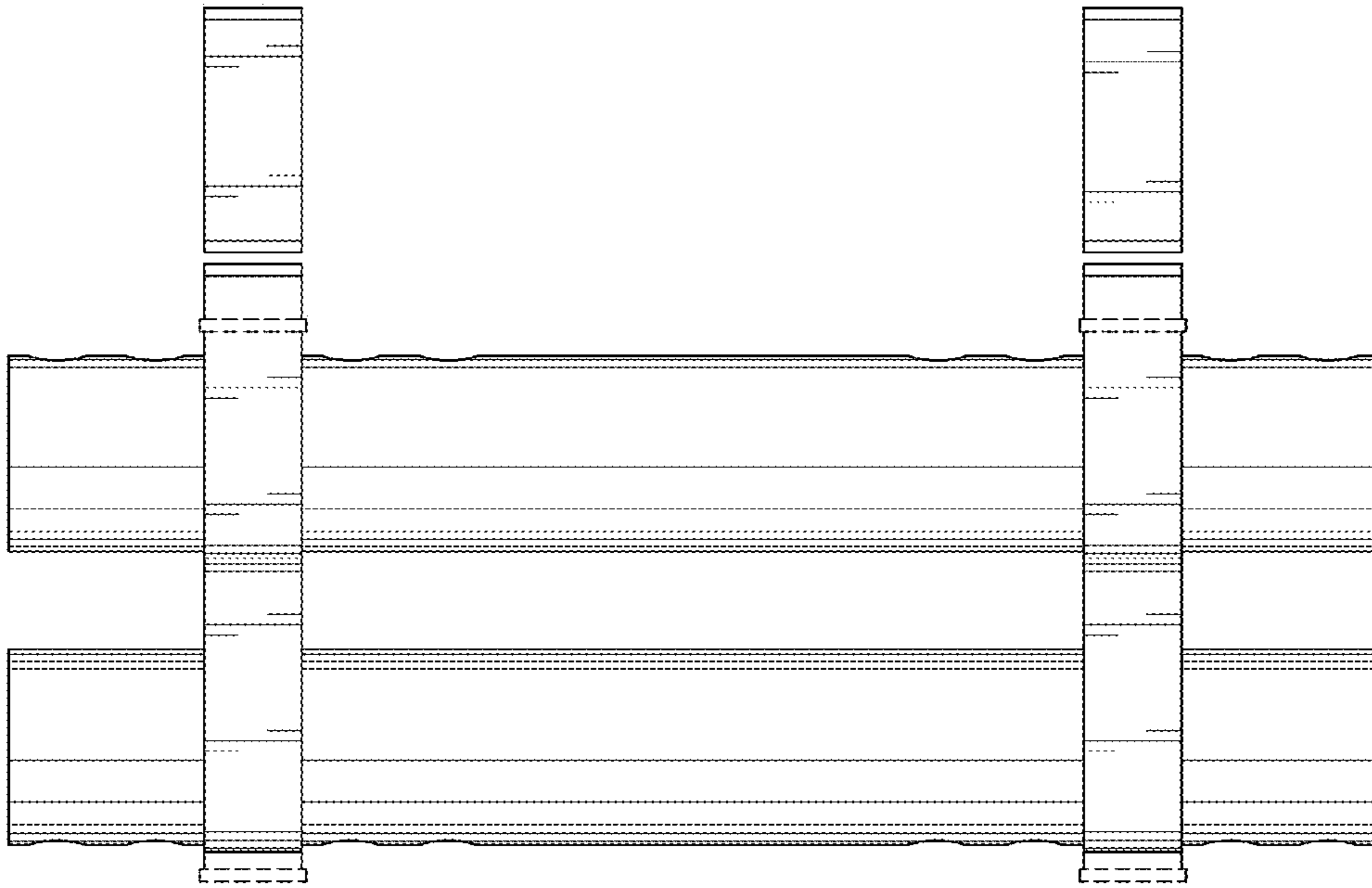


FIG. 7

