



US00D694671S

(12) **United States Design Patent**
Lai et al.

(10) **Patent No.:** **US D694,671 S**
(45) **Date of Patent:** **** Dec. 3, 2013**

(54) **ALL TERRAIN VEHICLE**

(75) Inventors: **Guogui Lai**, Hangzhou (CN);
Zhangping Yuan, Hangzhou (CN);
Jinpin Zheng, Hangzhou (CN); **Hui Xu**,
Hangzhou (CN); **Yibin Yang**, Hangzhou
(CN); **Duanzheng Wei**, Hangzhou (CN)

(73) Assignee: **Zhejiang CFMOTO Power Co., Ltd.**,
Hangzhou, Zhejiang Province (CN)

(**) Term: **14 Years**

(21) Appl. No.: **29/418,574**

(22) Filed: **Apr. 18, 2012**

(30) **Foreign Application Priority Data**

Dec. 21, 2011 (CN) 2011 3 0492849

(51) **LOC (9) Cl.** **12-11**

(52) **U.S. Cl.**
USPC **D12/107**

(58) **Field of Classification Search**
USPC D12/107, 3, 86, 87, 110; 180/223, 225,
180/229, 233, 311, 312, 315
See application file for complete search history.

(56) **References Cited**

U.S. PATENT DOCUMENTS

D492,916 S * 7/2004 Rondeau et al. D12/107
D531,088 S * 10/2006 Lin D12/107

D546,246 S * 7/2007 Crepeau et al. D12/107
7,743,864 B2 * 6/2010 Tweet 180/89.1
D640,604 S * 6/2011 Lai et al. D12/107
D640,605 S * 6/2011 Lai et al. D12/107

* cited by examiner

Primary Examiner — Susan M Lee

Assistant Examiner — Linda Brooks

(74) *Attorney, Agent, or Firm* — Wolf, Greenfield & Sacks,
P.C.

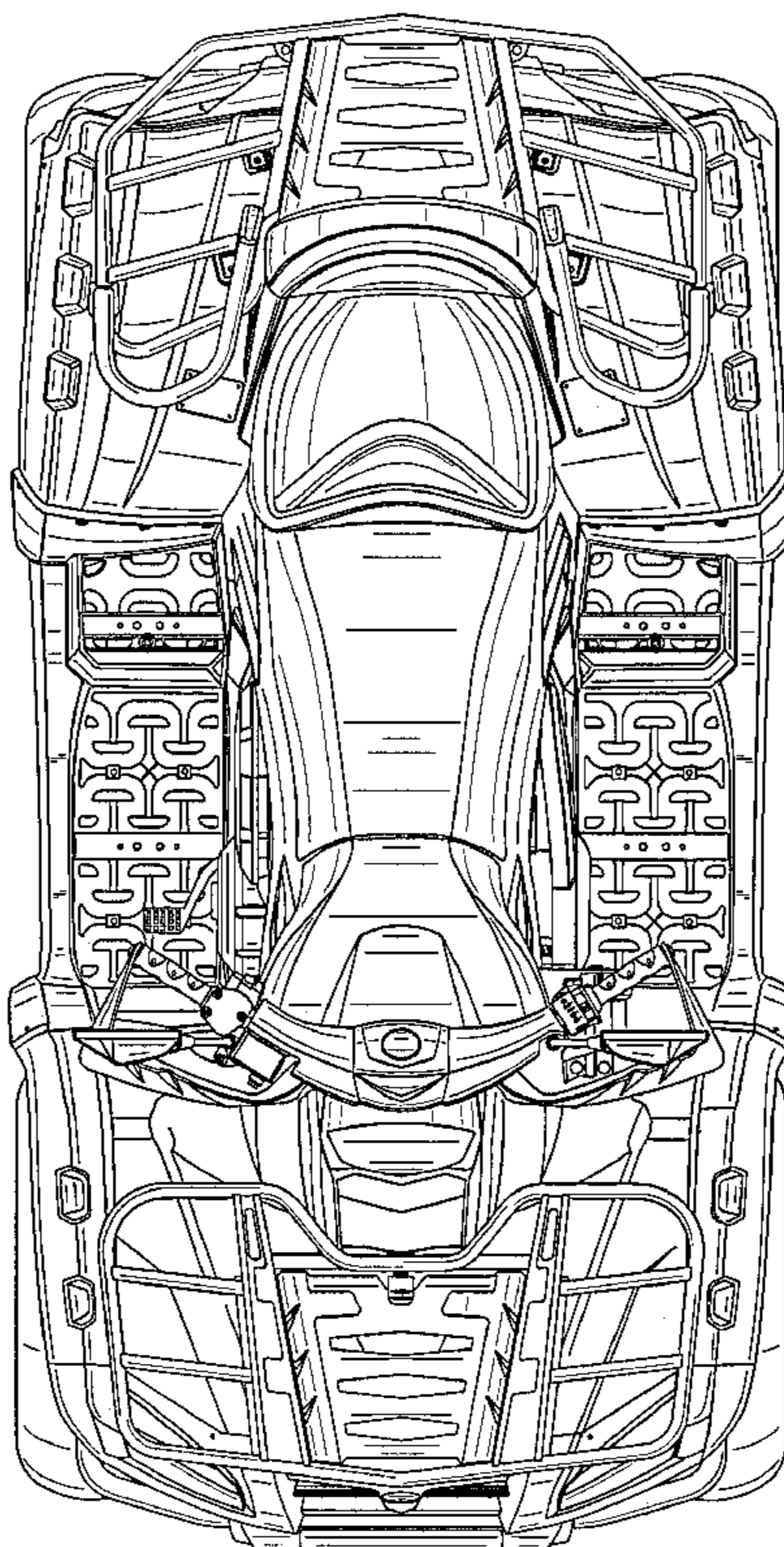
(57) **CLAIM**

The ornamental design for an all-terrain vehicle, as shown
and described.

DESCRIPTION

FIG. 1 is a front view of an all-terrain vehicle according to the
present application;
FIG. 2 is a rear view of the all-terrain vehicle according to the
present application;
FIG. 3 is a right view of the all-terrain vehicle according to the
present application;
FIG. 4 is a left view of the all-terrain vehicle according to the
present application;
FIG. 5 is a top view of the all-terrain vehicle according to the
present application;
FIG. 6 is a top, front, right, perspective view of the all-terrain
vehicle according to the present application; and,
FIG. 7 is a top, rear, left, perspective view of the all-terrain
vehicle according to the present application.

1 Claim, 7 Drawing Sheets



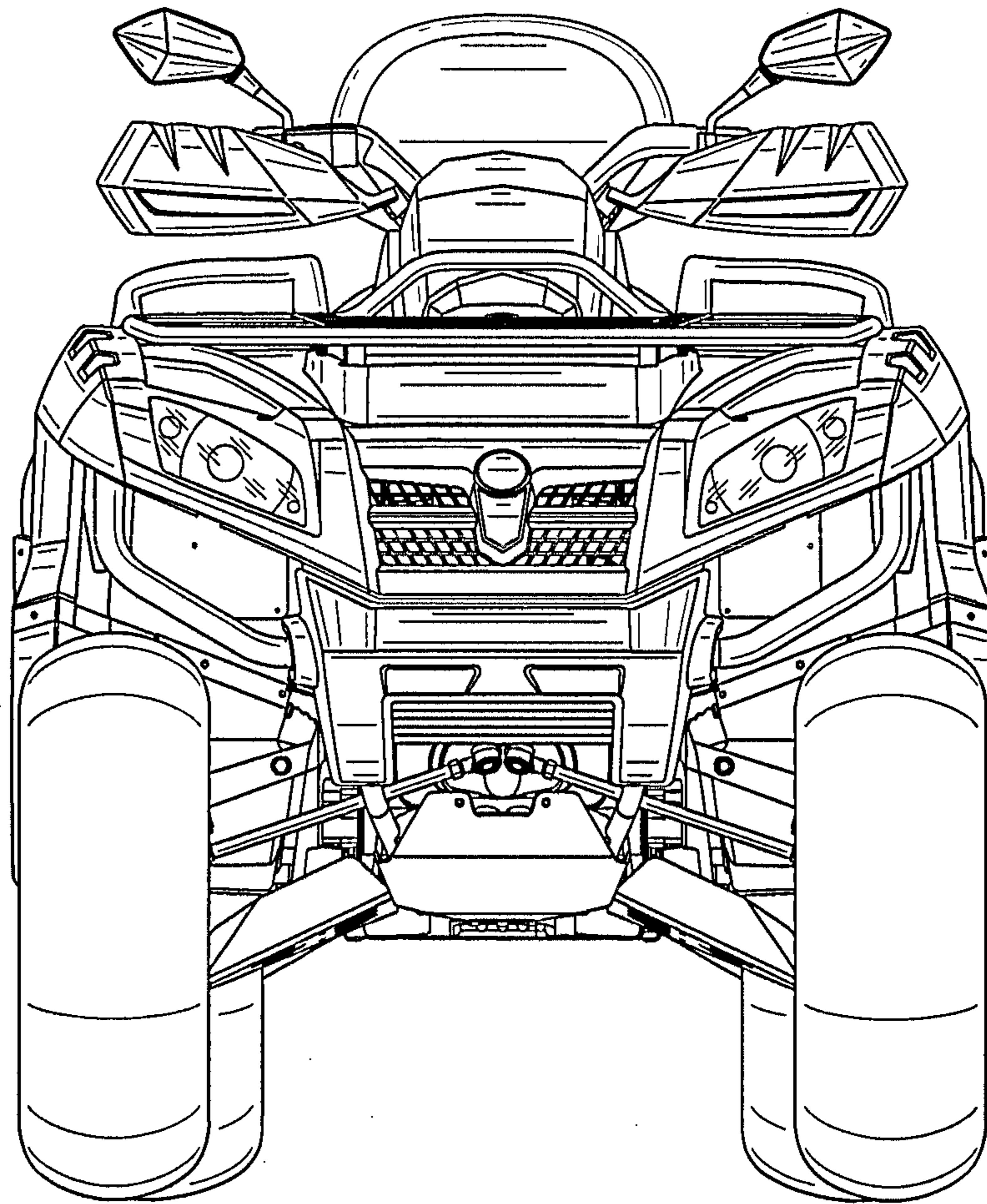


FIG. 1

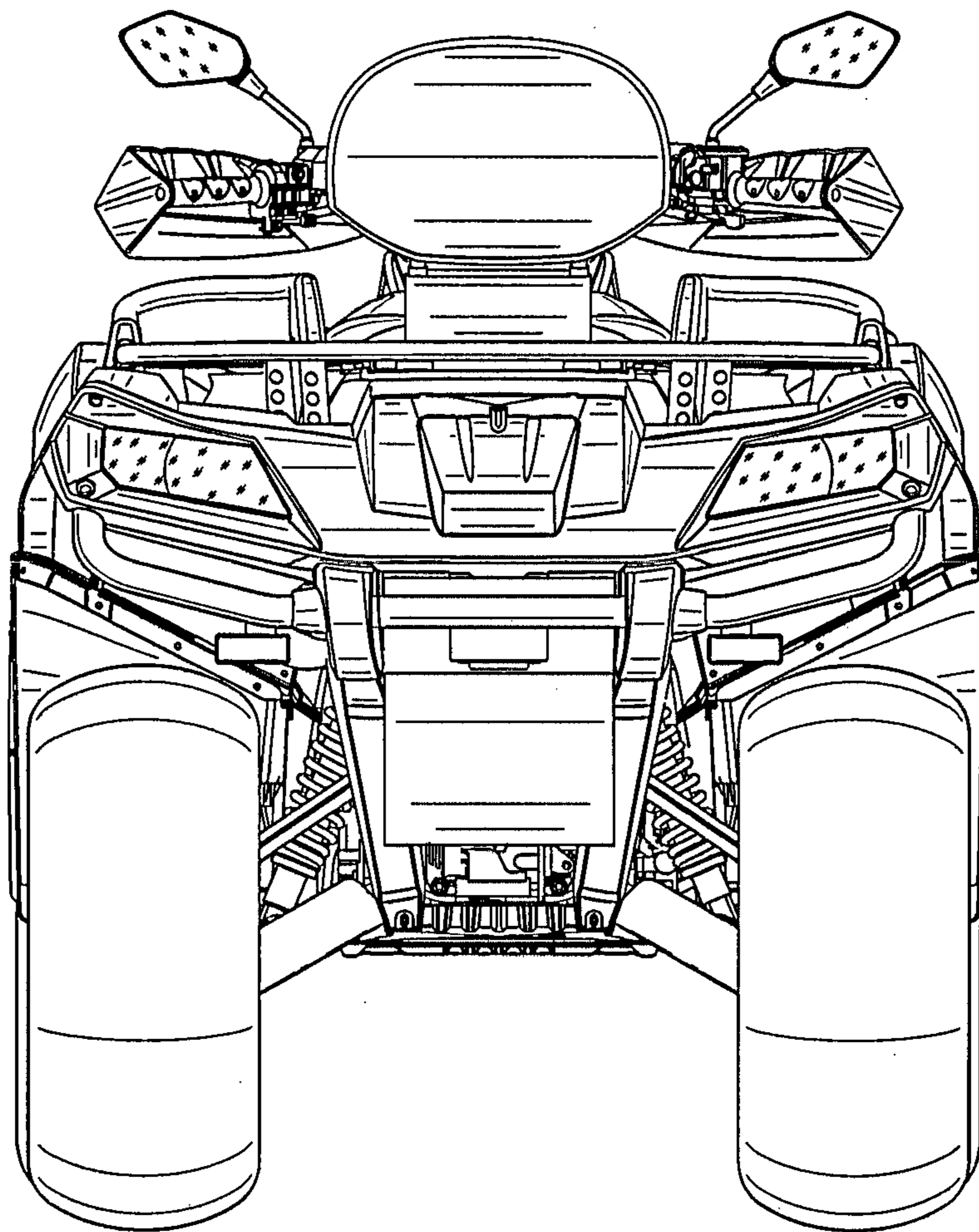


FIG. 2

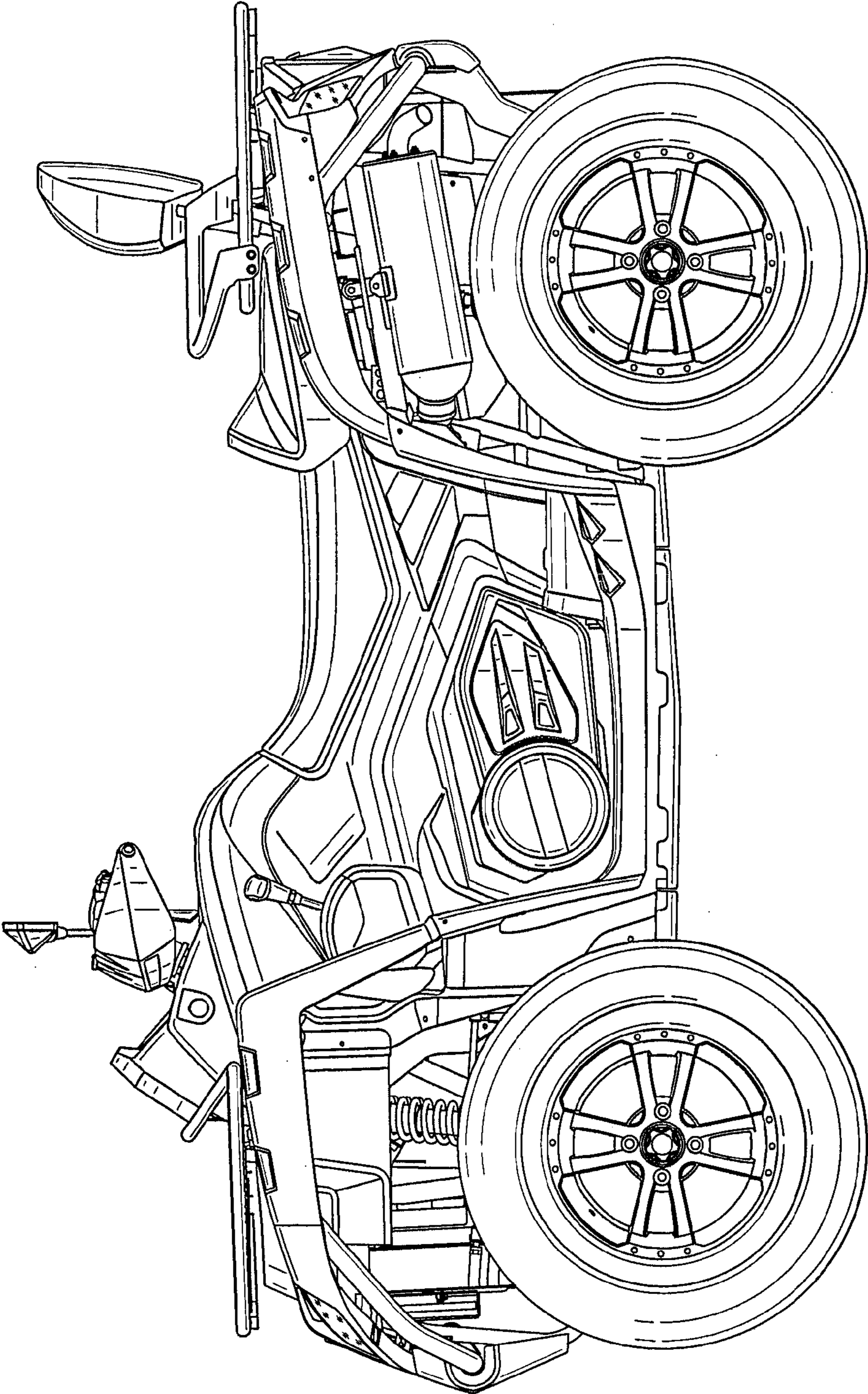


FIG. 3

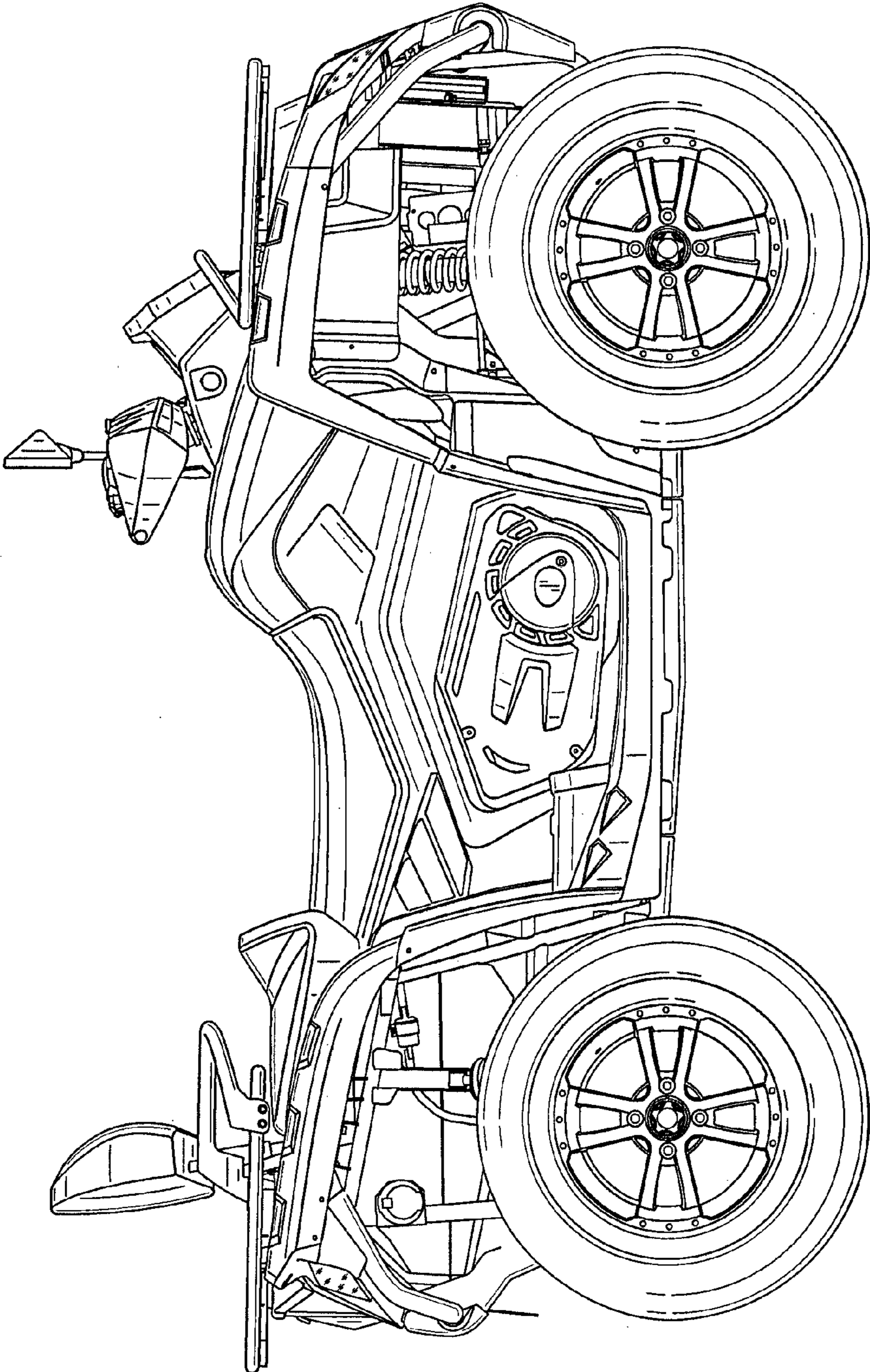


FIG. 4

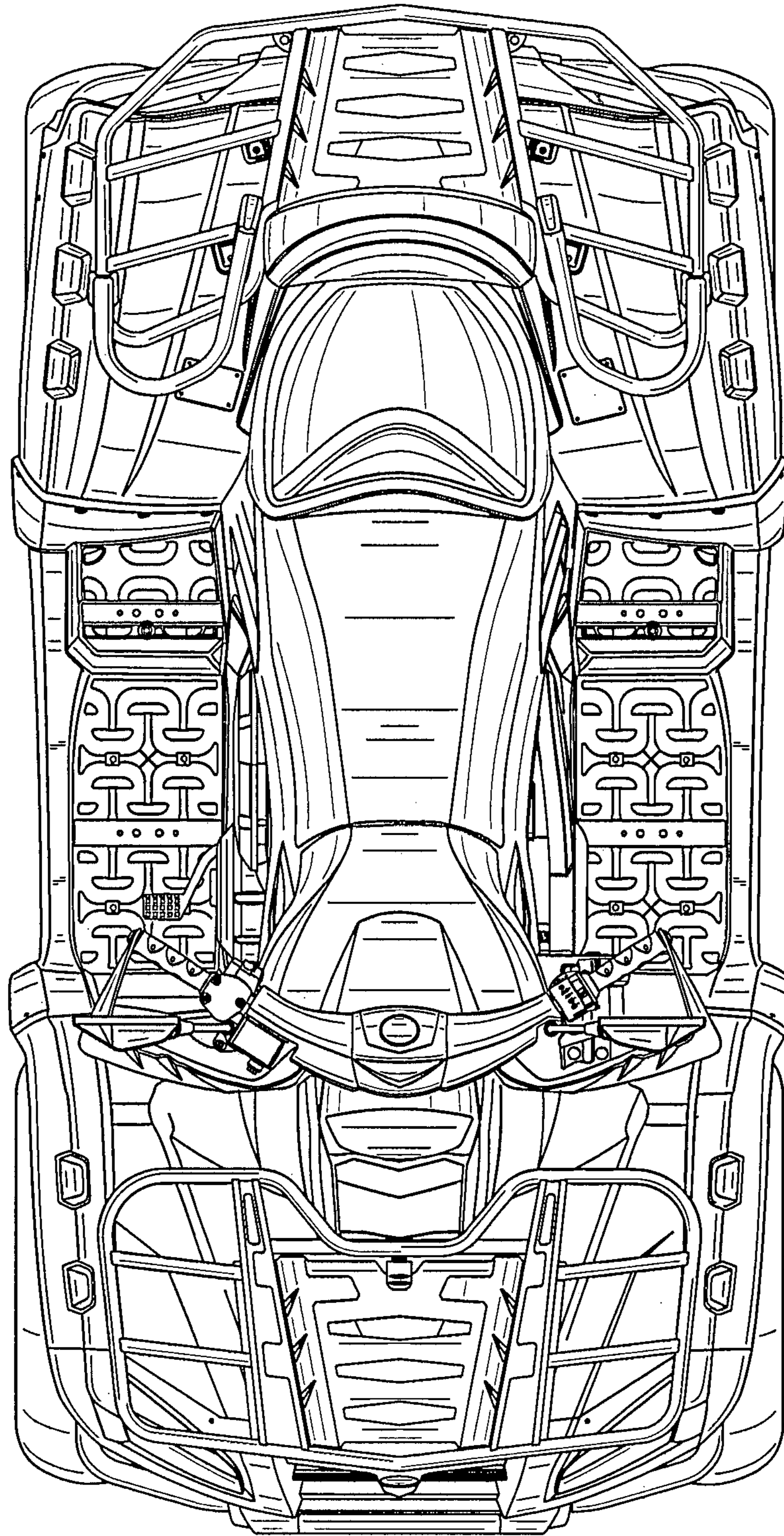


FIG. 5

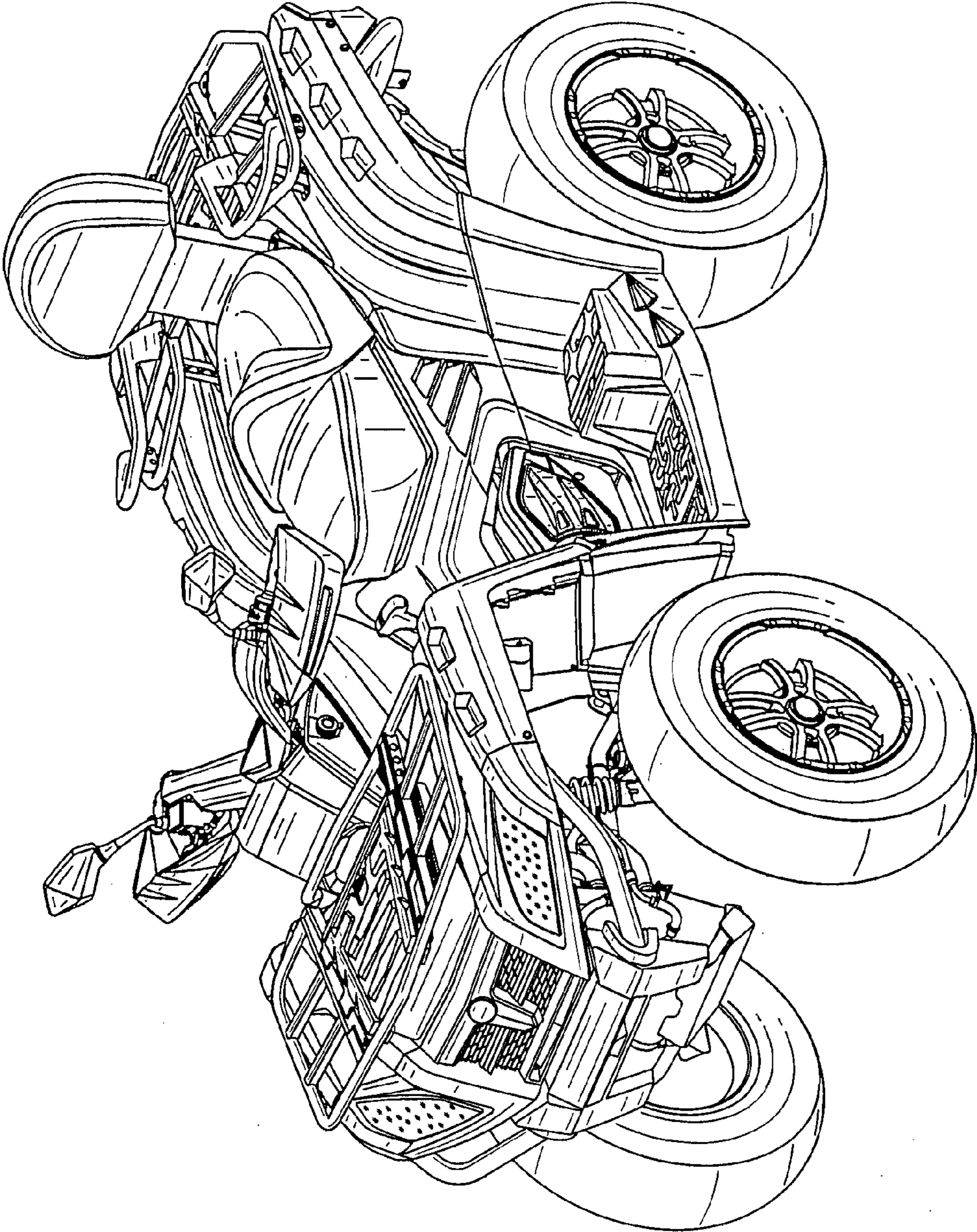


FIG. 6

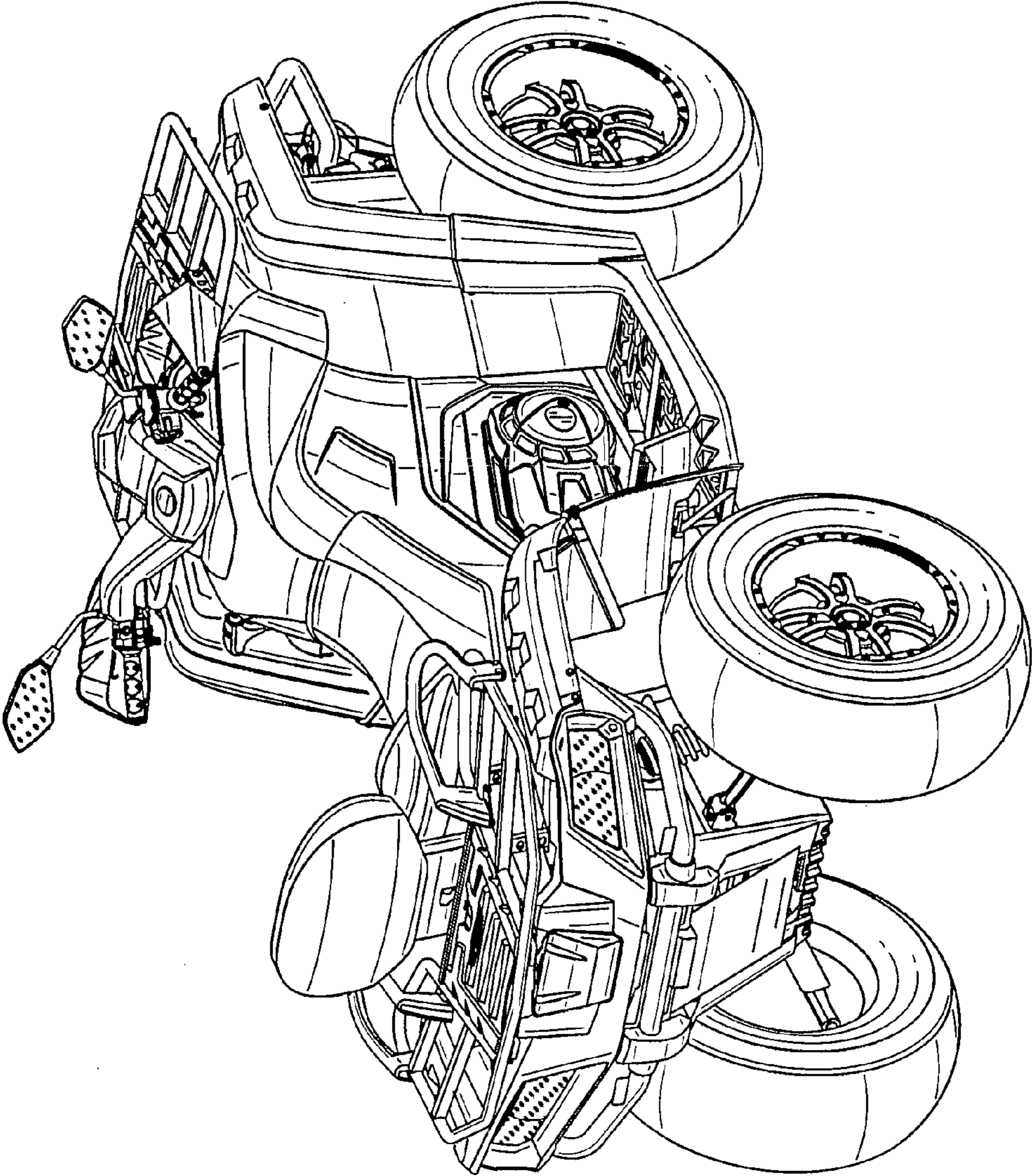


FIG. 7