



US00D694670S

(12) **United States Design Patent**  
**Oren**

(10) **Patent No.:** **US D694,670 S**

(45) **Date of Patent:** **\*\* Dec. 3, 2013**

(54) **TRAILER FOR PROPPANT CONTAINERS**

(71) Applicant: **Joshua Oren**, Houston, TX (US)

(72) Inventor: **Joshua Oren**, Houston, TX (US)

(\*\*) Term: **14 Years**

(21) Appl. No.: **29/455,210**

(22) Filed: **May 17, 2013**

(51) **LOC (9) Cl.** ..... **12-10**

(52) **U.S. Cl.**  
USPC ..... **D12/101**

(58) **Field of Classification Search**  
USPC ..... D12/100-106, 19, 129, 111-112;  
D21/425, 435; D34/21-26, 12, 16-19;  
280/204, 205, 63, 475, 482, 647;  
296/168, 180, 180.2, 61, 10,  
296/100.01-100.08

See application file for complete search history.

(56) **References Cited**

**U.S. PATENT DOCUMENTS**

- D199,118 S \* 9/1964 McKillon ..... D12/103
- 3,185,519 A \* 5/1965 Turnbull et al. .... 296/184.1
- 5,201,546 A \* 4/1993 Lindsay ..... 280/789

- 5,351,990 A \* 10/1994 Thomas ..... 280/789
- D402,233 S \* 12/1998 Warlick ..... D12/101
- D417,172 S \* 11/1999 Smith et al. .... D12/101
- 6,932,388 B2 \* 8/2005 Few et al. .... 280/787
- D558,097 S \* 12/2007 Winter et al. .... D12/101
- D648,656 S \* 11/2011 Crane ..... D12/101

\* cited by examiner

*Primary Examiner* — Katrina A Betton

(74) *Attorney, Agent, or Firm* — Egbert Law Offices, PLLC

(57) **CLAIM**

The ornamental design for a trailer for proppant containers, as shown and described.

**DESCRIPTION**

FIG. 1 is an upper perspective view of the trailer for proppant containers showing my new design.

FIG. 2 is a side elevation view thereof;

FIG. 3 is an opposite side elevation view thereof;

FIG. 4 is a front elevation view thereof;

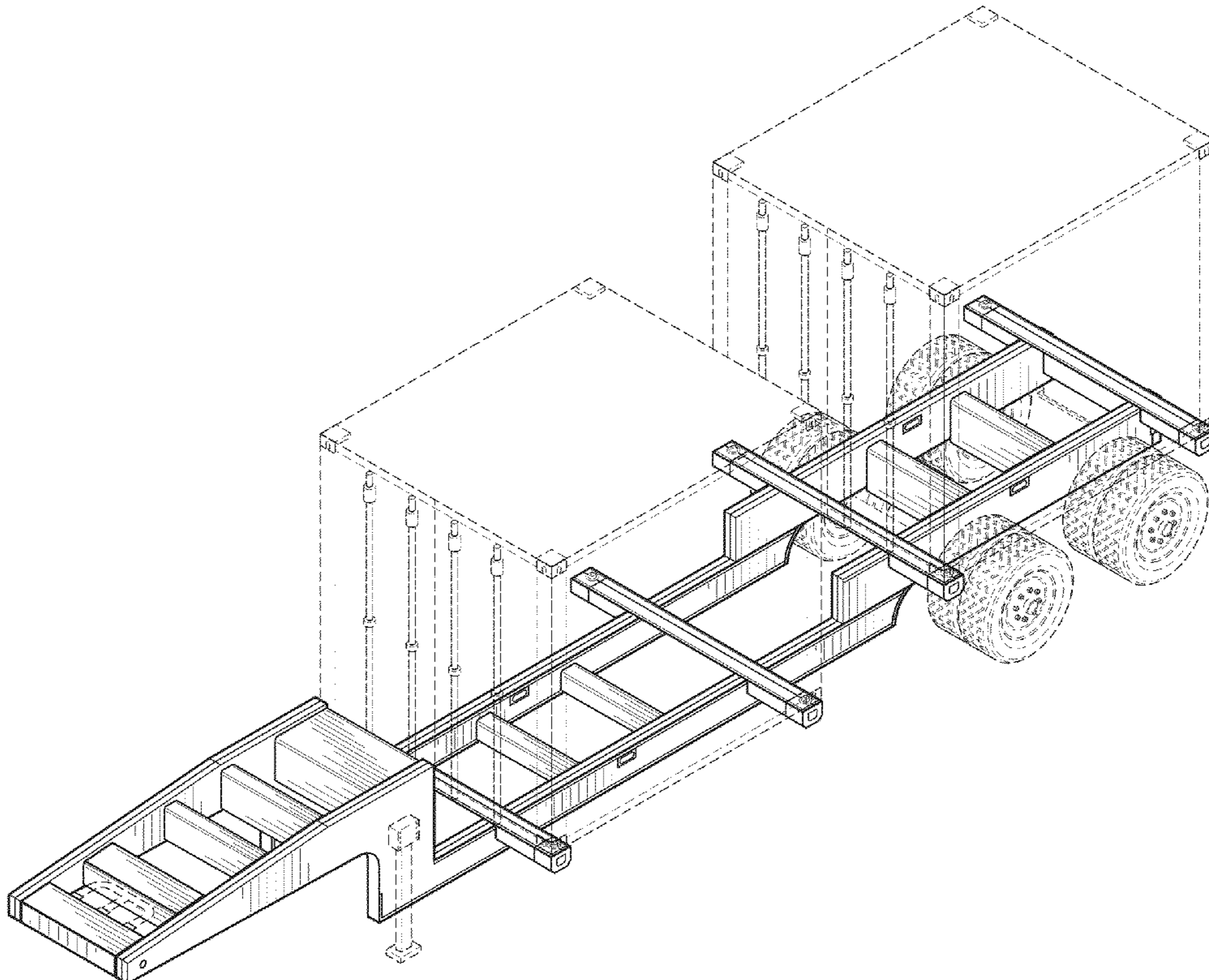
FIG. 5 is a rear elevation view thereof;

FIG. 6 is a top plan view thereof; and,

FIG. 7 is a bottom plan view thereof.

The features presented in broken lines are for environmental purposes only and form no part of the claimed design.

**1 Claim, 3 Drawing Sheets**



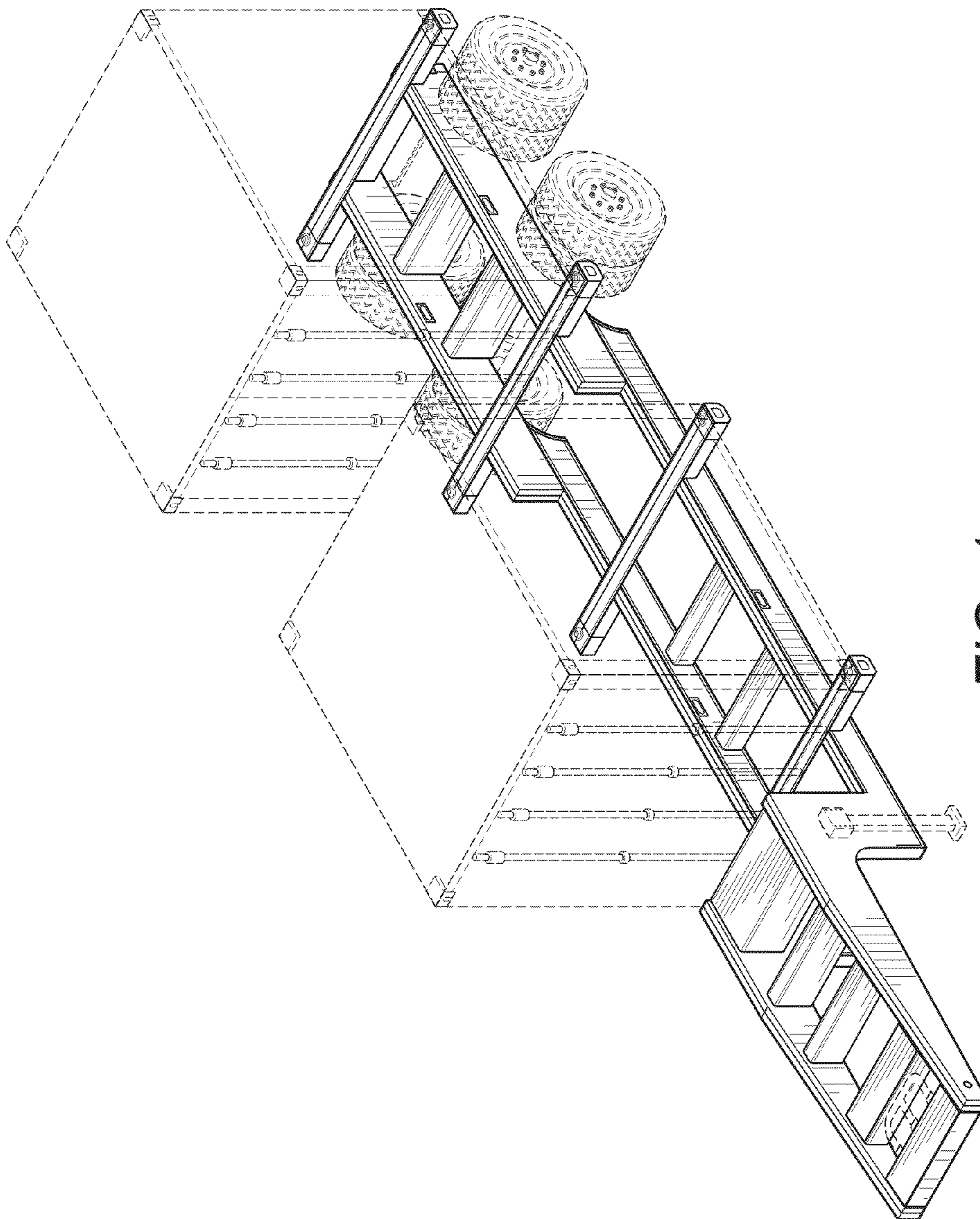


FIG. 1

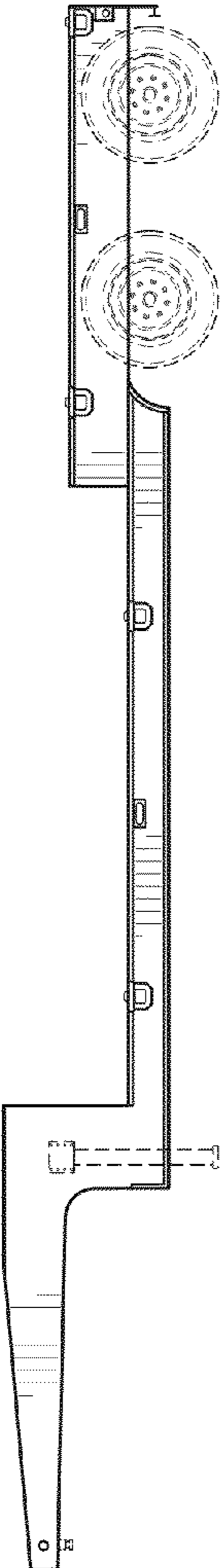


FIG. 2

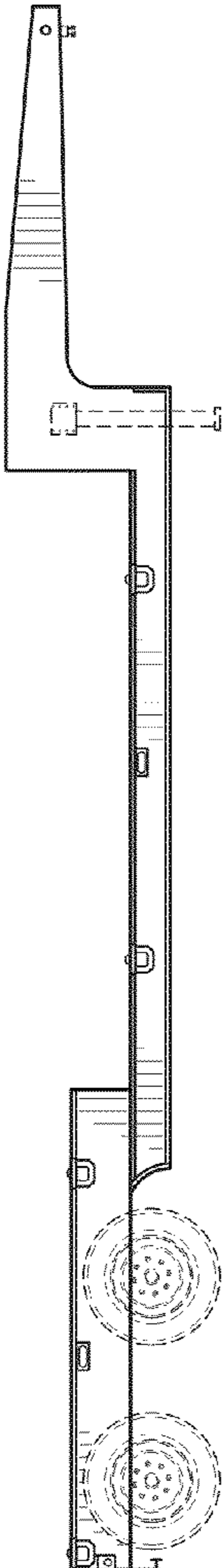


FIG. 3

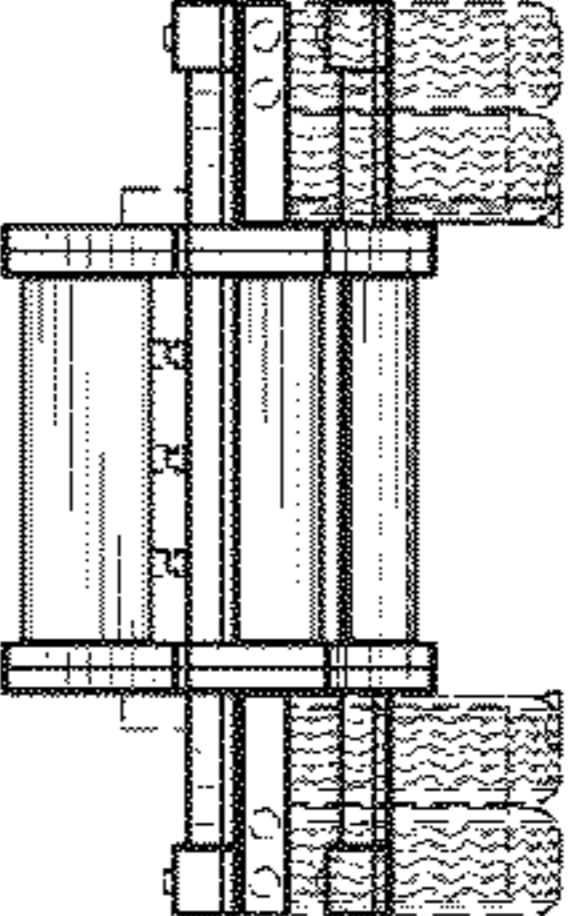


FIG. 5

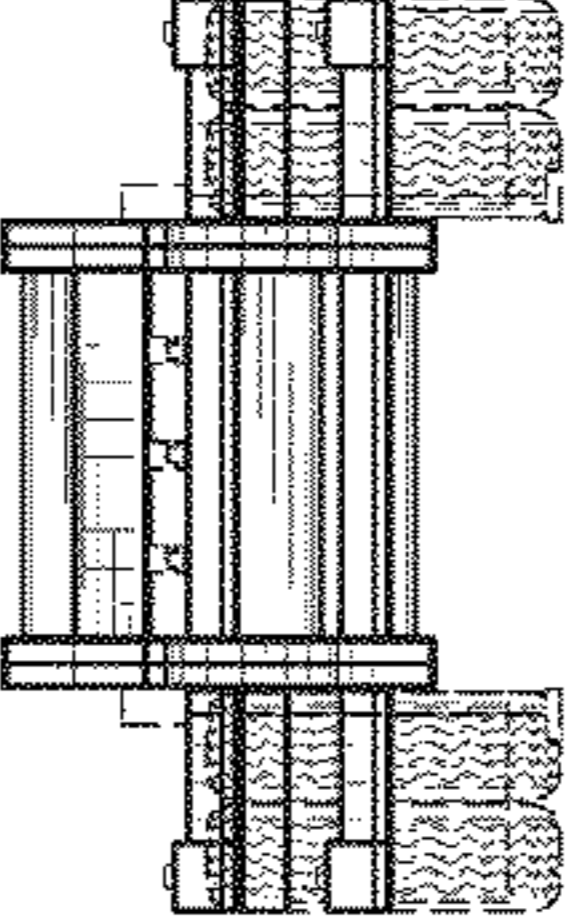


FIG. 4

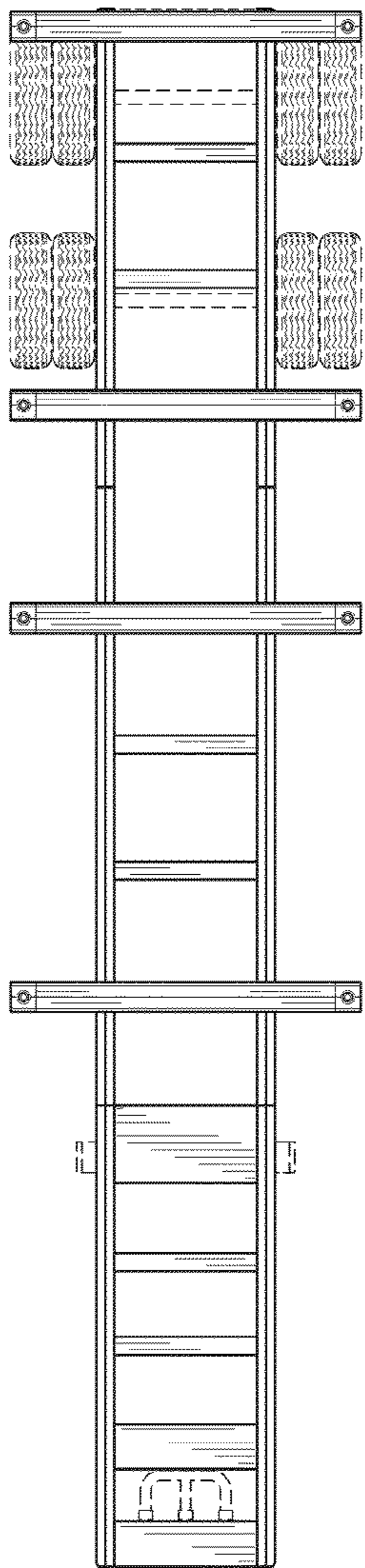


FIG. 6

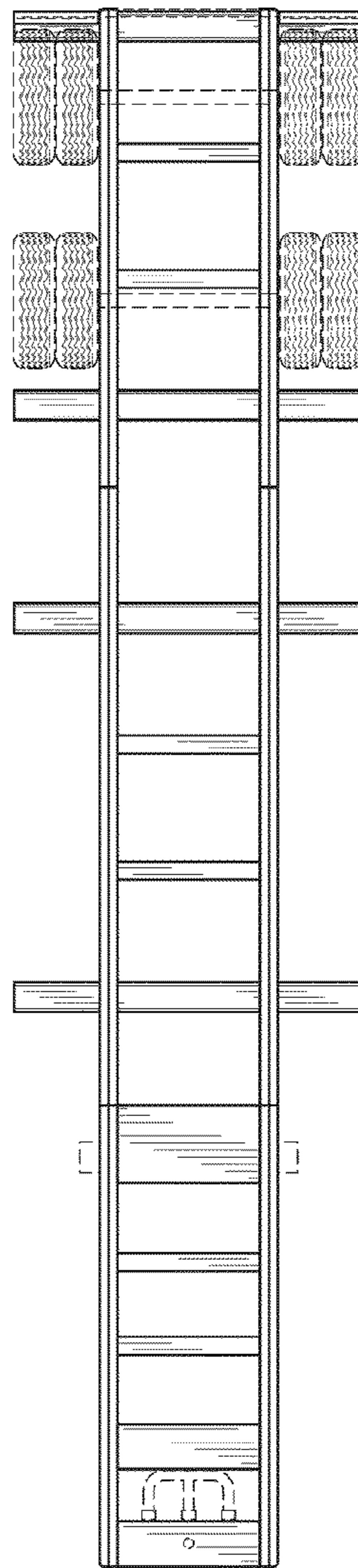


FIG. 7