

US00D694668S

(12) **United States Design Patent**  
**Li et al.**

(10) **Patent No.:** **US D694,668 S**  
(45) **Date of Patent:** **\*\* Dec. 3, 2013**

- (54) **UTILITY TERRAIN VEHICLE**
- (71) Applicants: **Guanxiang Li**, Chongqing (CN); **Hui Li**, Chongqing (CN)
- (72) Inventors: **Guanxiang Li**, Chongqing (CN); **Hui Li**, Chongqing (CN)
- (73) Assignee: **Chongqing Huansong Industries (Group) Co., Ltd.**, Chongqing (CN)
- (\*\*) Term: **14 Years**
- (21) Appl. No.: **29/441,508**
- (22) Filed: **Jan. 7, 2013**

**Related U.S. Application Data**

- (63) Continuation-in-part of application No. 29/381,018, filed on Dec. 14, 2010, now abandoned.
- (51) **LOC (9) Cl.** ..... **12-13**
- (52) **U.S. Cl.**  
USPC ..... **D12/14**
- (58) **Field of Classification Search**  
USPC ..... D12/14, 1, 87, 86, 433, 15, 16, 107, 82, D12/88, 89, 90, 91, 92, 93; D21/803; 180/233, 908; 208/DIG. 5, 183, 184, 208/185, 186, 28, 37.7

See application file for complete search history.

(56) **References Cited**

U.S. PATENT DOCUMENTS

D604,201	S	*	11/2009	Kawaguchi et al.	.....	D12/14
D642,493	S	*	8/2011	Goebert et al.	.....	D12/87
D670,198	S	*	11/2012	Li et al.	.....	D12/14
D675,960	S	*	2/2013	Hashimoto et al.	.....	D12/87
8,382,125	B2	*	2/2013	Sunsdahl et al.	.....	280/5.511

\* cited by examiner

*Primary Examiner* — T. Chase Nelson

*Assistant Examiner* — Ania Aman

(74) *Attorney, Agent, or Firm* — Locke Lord LLP

(57) **CLAIM**

The ornamental design for a utility terrain vehicle, as shown and described.

**DESCRIPTION**

FIG. 1 is a front-left perspective view of the utility terrain vehicle showing the new design thereof;  
 FIG. 2 is a front-right perspective view thereof;  
 FIG. 3 is a left side view thereof;  
 FIG. 4 is a right side view thereof;  
 FIG. 5 is a top view thereof;  
 FIG. 6 is a rear-left perspective view thereof;  
 FIG. 7 is a rear-right perspective view thereof;  
 FIG. 8 is a front view thereof; and,  
 FIG. 9 is a rear view thereof.

The greyed-out portions of the vehicle undercarriage are environmental and form no part of the claimed design.

**1 Claim, 9 Drawing Sheets**





FIG. 1



FIG. 2

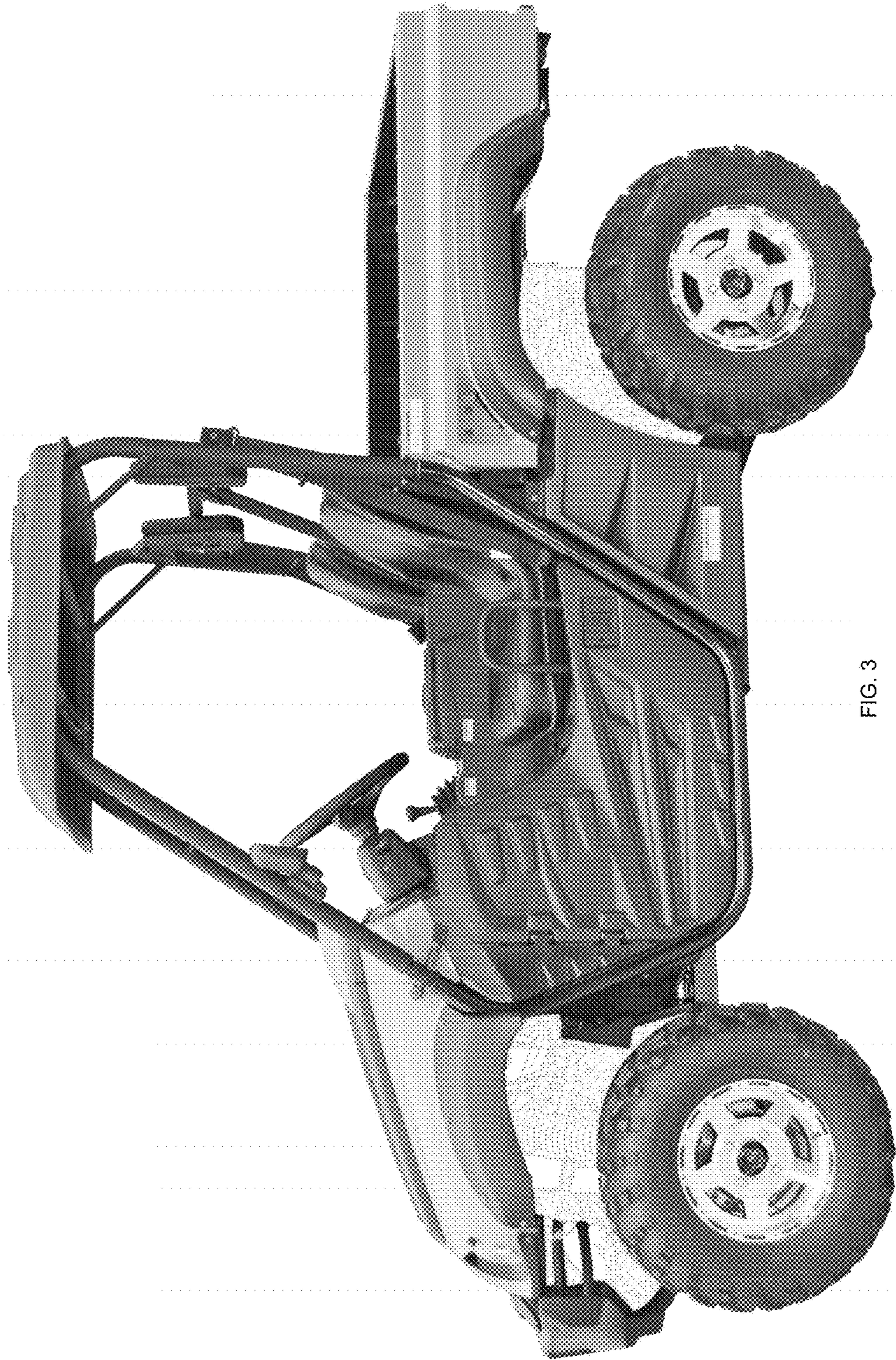


FIG. 3



FIG. 4

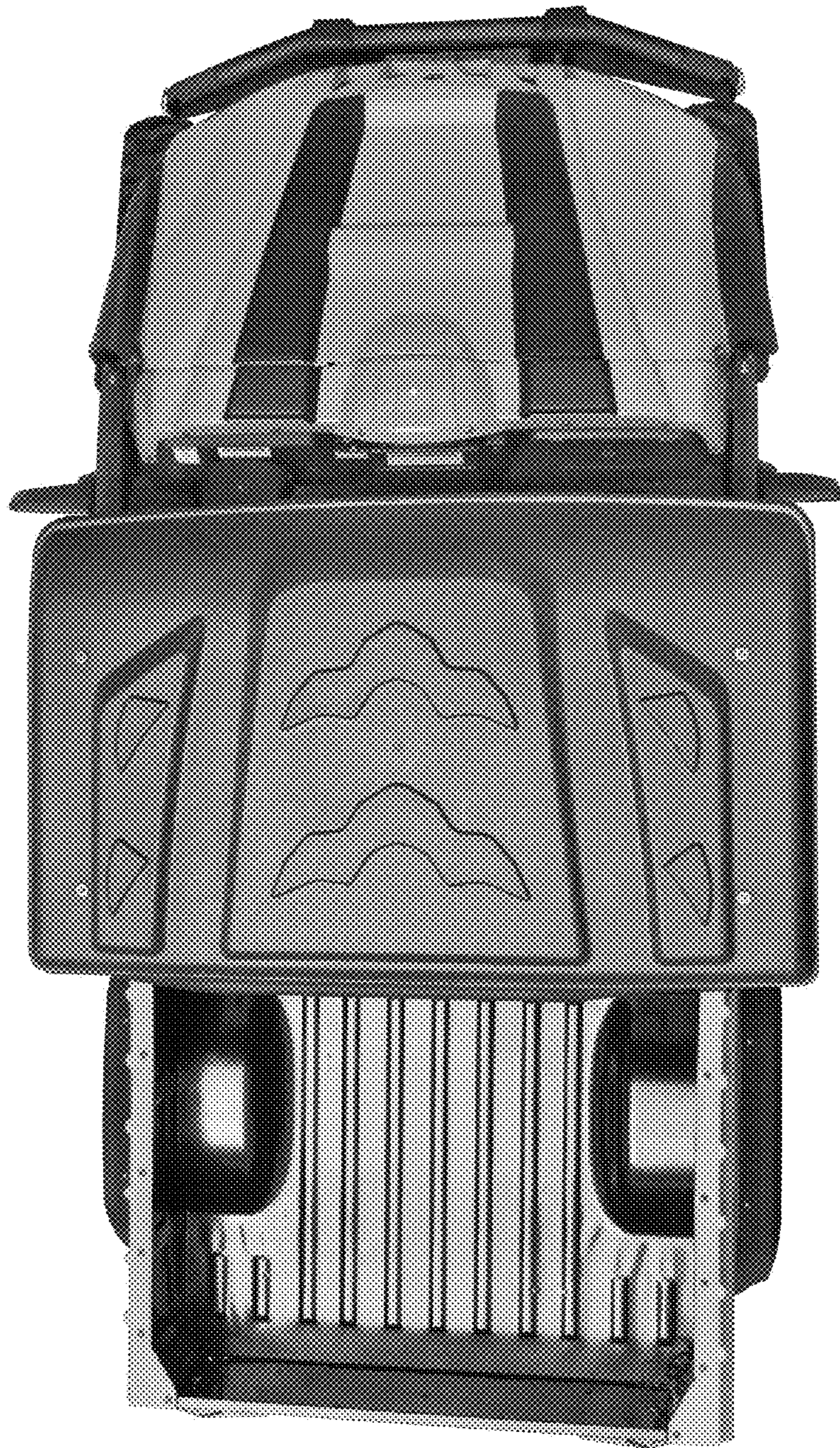


FIG. 5

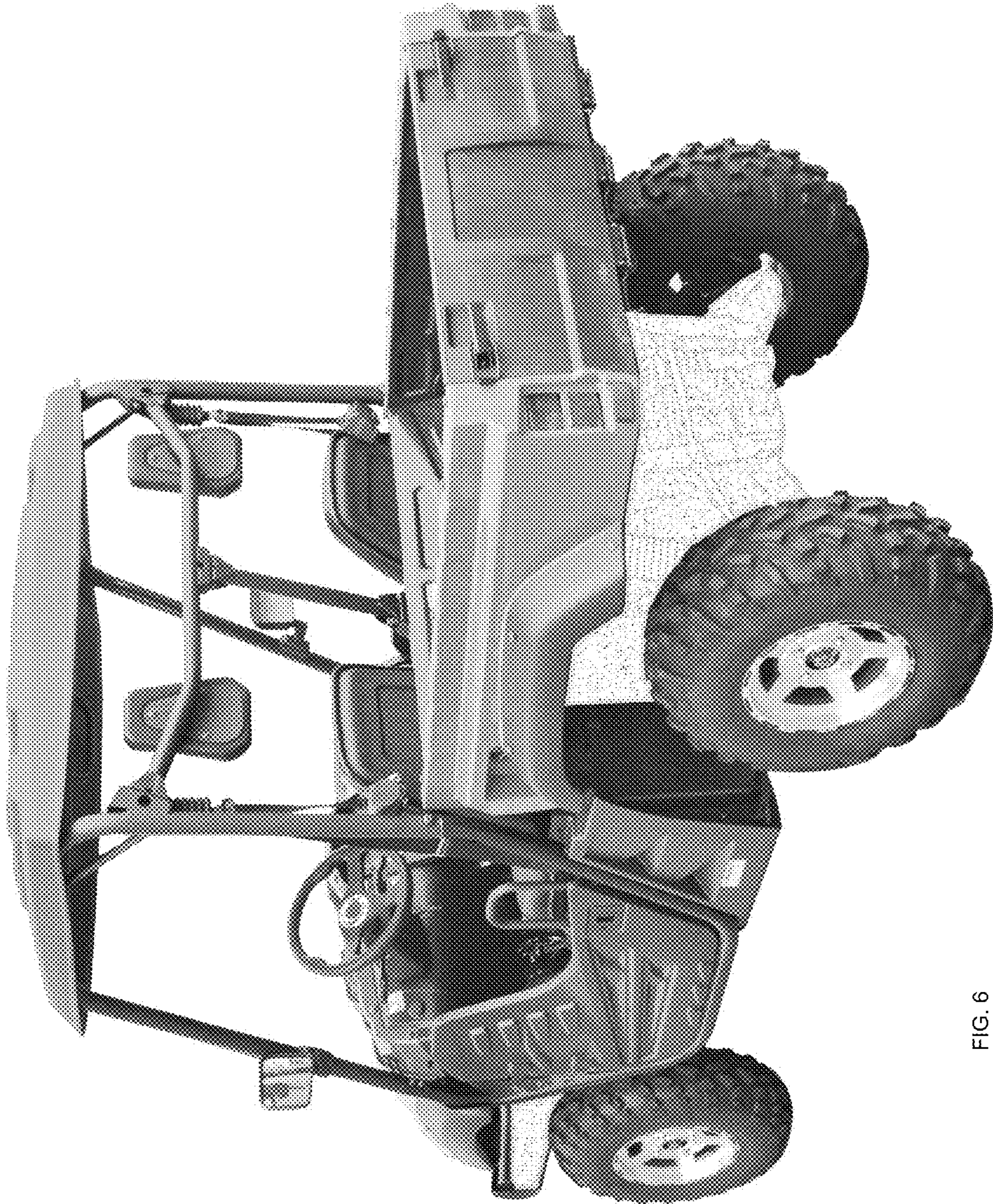


FIG. 6

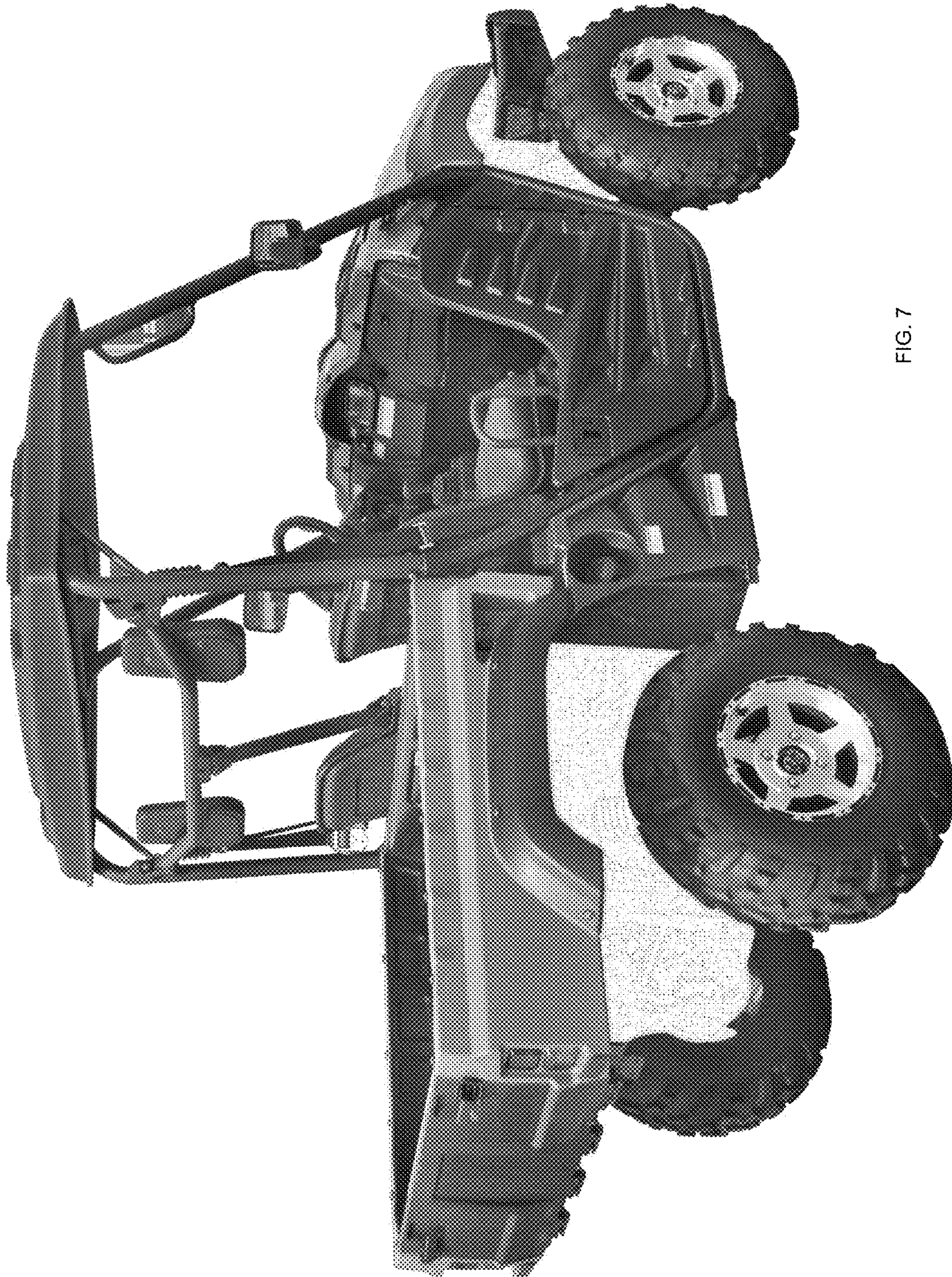


FIG. 7





FIG. 8



FIG. 9