

US00D694666S

(12) **United States Design Patent**
Lawson, III

(10) **Patent No.:** **US D694,666 S**

(45) **Date of Patent:** **** Dec. 3, 2013**

(54) **CROSS PENDANT**

(71) Applicant: **Herbert Lawson, III**, University City,
MO (US)

(72) Inventor: **Herbert Lawson, III**, University City,
MO (US)

(**) Term: **14 Years**

(21) Appl. No.: **29/443,426**

(22) Filed: **Jan. 17, 2013**

(51) **LOC (9) Cl.** **11-03**

(52) **U.S. Cl.**
USPC **D11/96**

(58) **Field of Classification Search**

USPC D11/30, 44, 48, 60, 79, 81, 86, 95-99,
D11/116, 120-122, 125, 131, 133, 149, 157,
D11/172, 211, 217, 219, 223, 238; 63/1.11,
63/1.12, 1.13, 1.14, 1.16, 1.18, 13, 14.1,
63/35, 39, 19; D99/17, 23, 25, 27, 30

See application file for complete search history.

(56) **References Cited**

U.S. PATENT DOCUMENTS

| | | | | |
|--------------|--------|---------------|-------|--------|
| D334,725 S * | 4/1993 | White | | D11/99 |
| D338,633 S * | 8/1993 | Andre | | D11/96 |
| D355,144 S * | 2/1995 | Cord | | D11/81 |
| D475,169 S * | 5/2003 | Glotfelty | | D99/27 |
| D609,132 S * | 2/2010 | Busbee | | D11/96 |
| D615,449 S * | 5/2010 | Hayden et al. | | D11/96 |

| | | | | |
|--------------|--------|---------------|-------|--------|
| D653,988 S * | 2/2012 | Hayden et al. | | D11/96 |
| D666,120 S * | 8/2012 | Austin | | D11/96 |
| D666,121 S * | 8/2012 | Schmidt | | D11/96 |

* cited by examiner

Primary Examiner — T. Chase Nelson

Assistant Examiner — Mark Cavanna

(74) *Attorney, Agent, or Firm* — Charles McCloskey

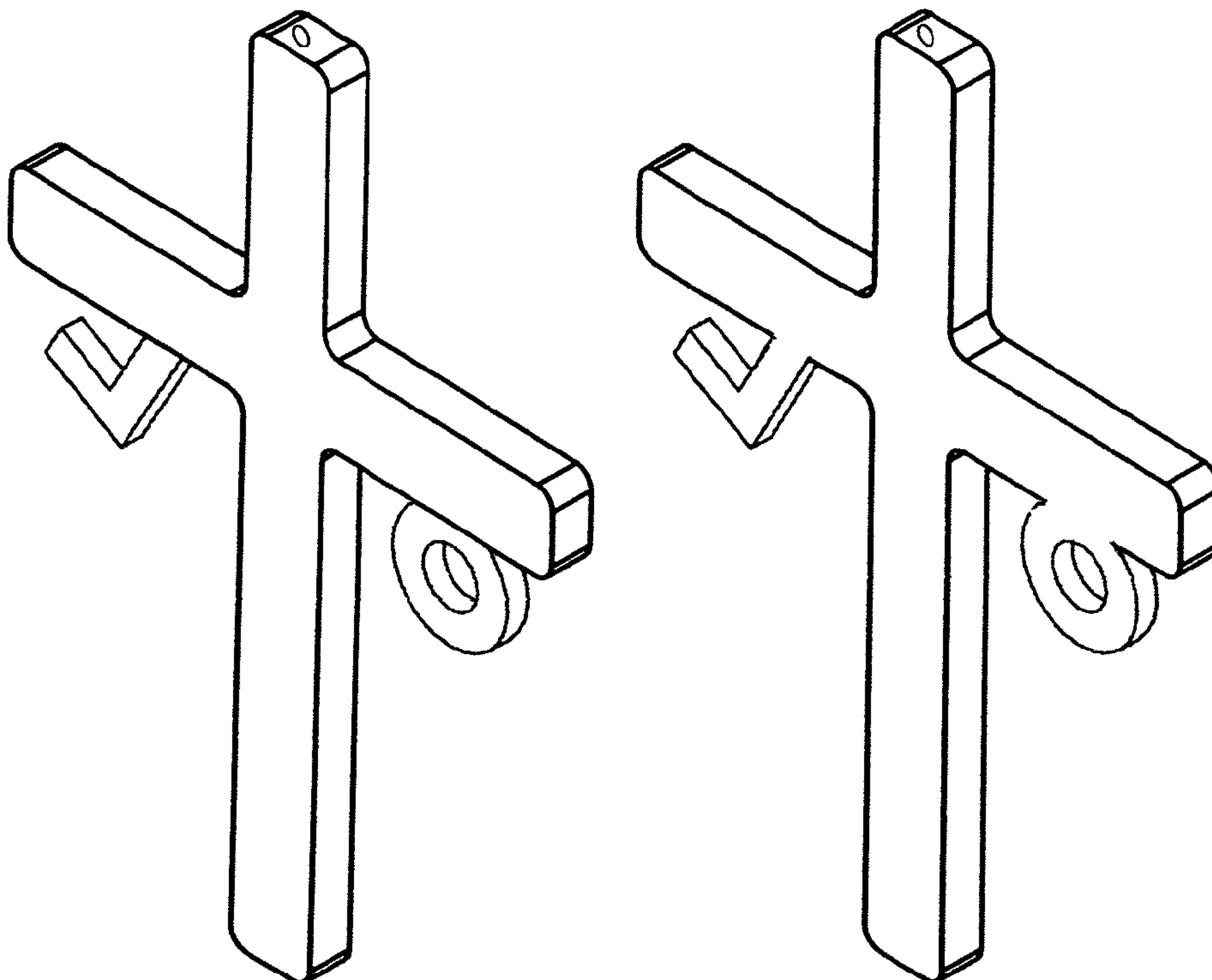
(57) **CLAIM**

The ornamental design for a cross pendant, as shown and described.

DESCRIPTION

FIG. 1 is a perspective view of a first embodiment;
FIG. 2 is a front view of a first embodiment;
FIG. 3 is a rear view of a first embodiment;
FIG. 4 is a top view of a first embodiment;
FIG. 5 is a bottom view of a first embodiment;
FIG. 6 is a side view of a first embodiment;
FIG. 7 is a side view of a first embodiment;
FIG. 8 is a perspective view of a second embodiment;
FIG. 9 is a front view of a second embodiment;
FIG. 10 is a rear view of a second embodiment;
FIG. 11 is a top view of a second embodiment;
FIG. 12 is a bottom view of a second embodiment;
FIG. 13 is a side view of a second embodiment; and,
FIG. 14 is a side view of a second embodiment.

1 Claim, 6 Drawing Sheets



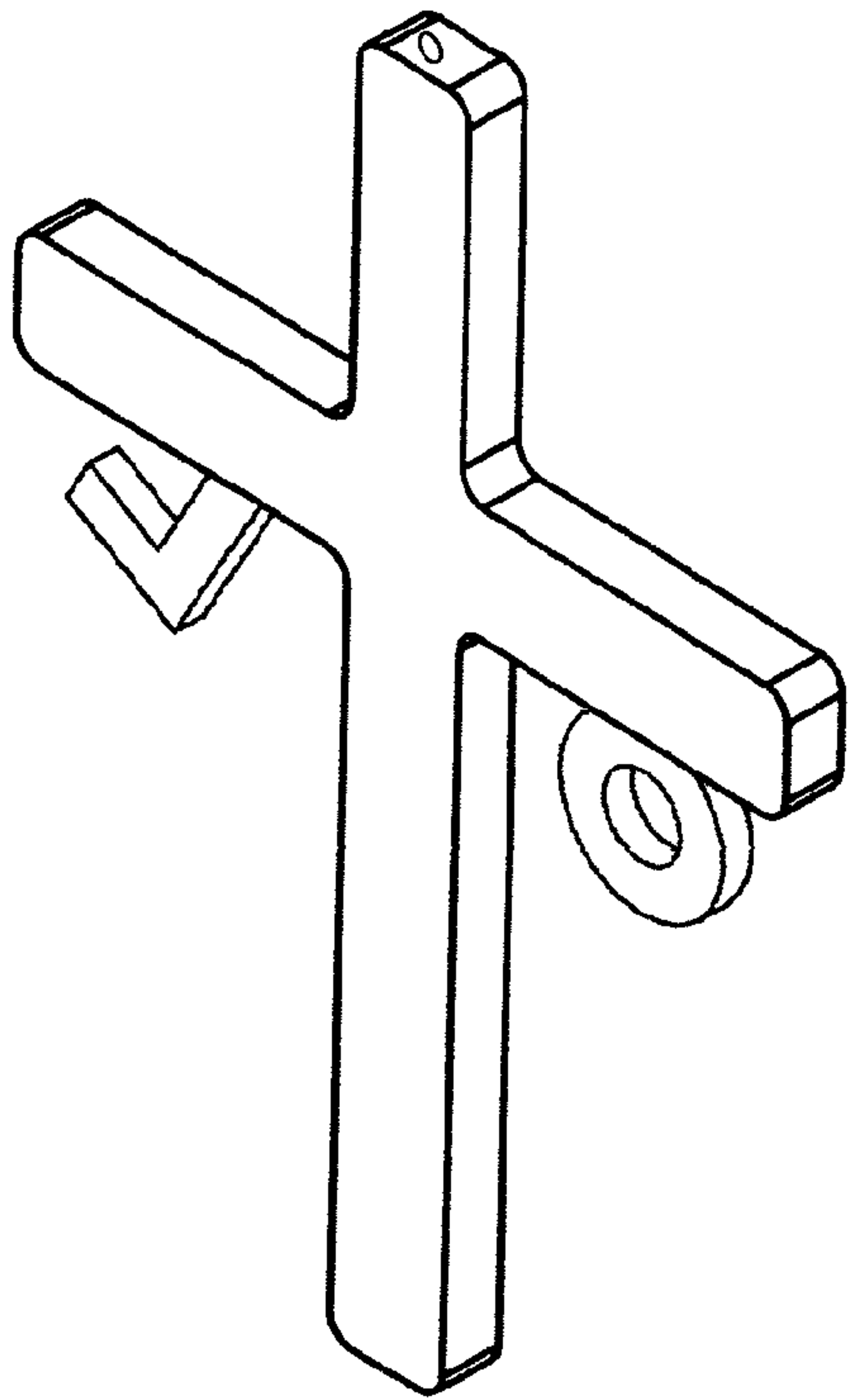


FIG. 1

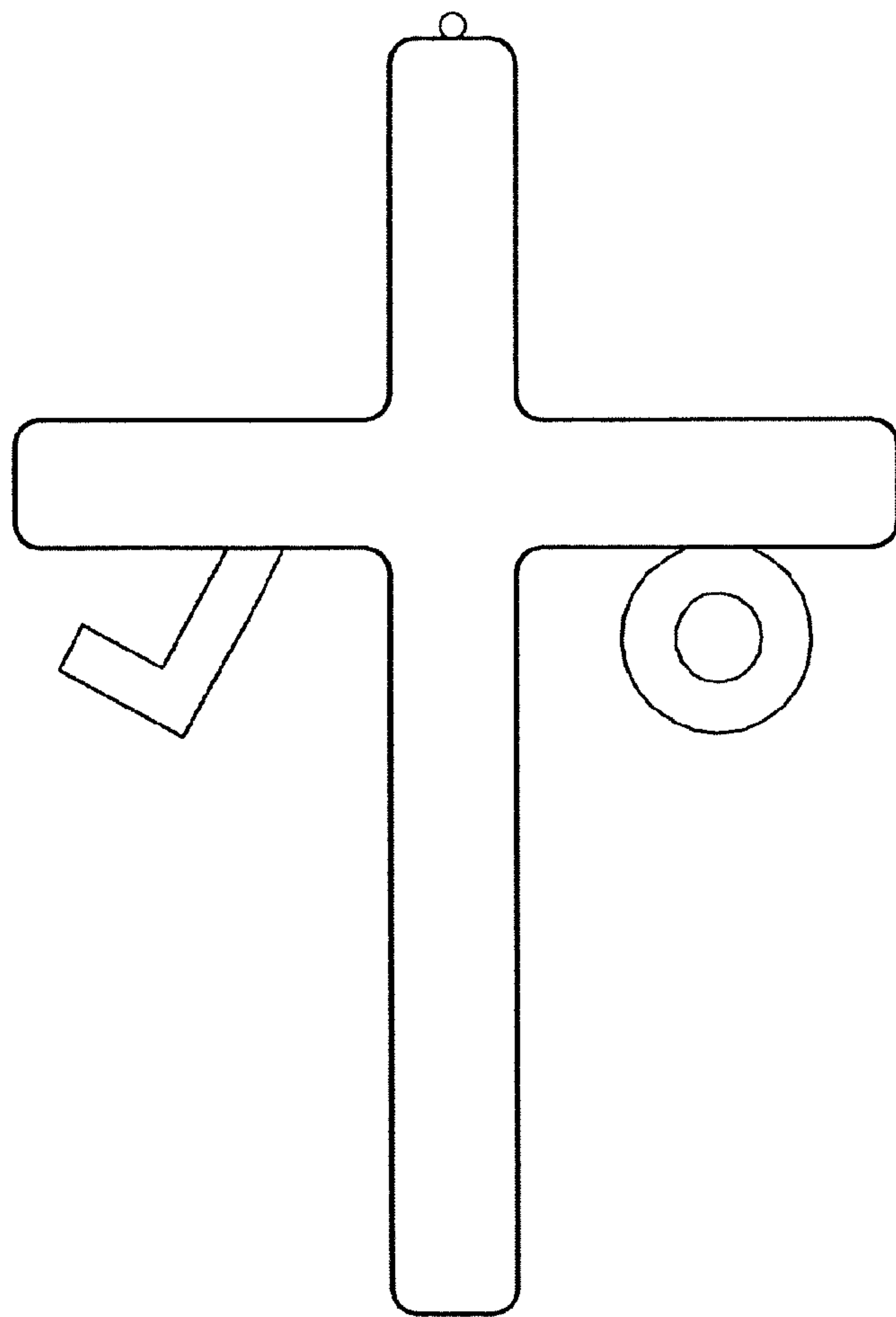


FIG. 2

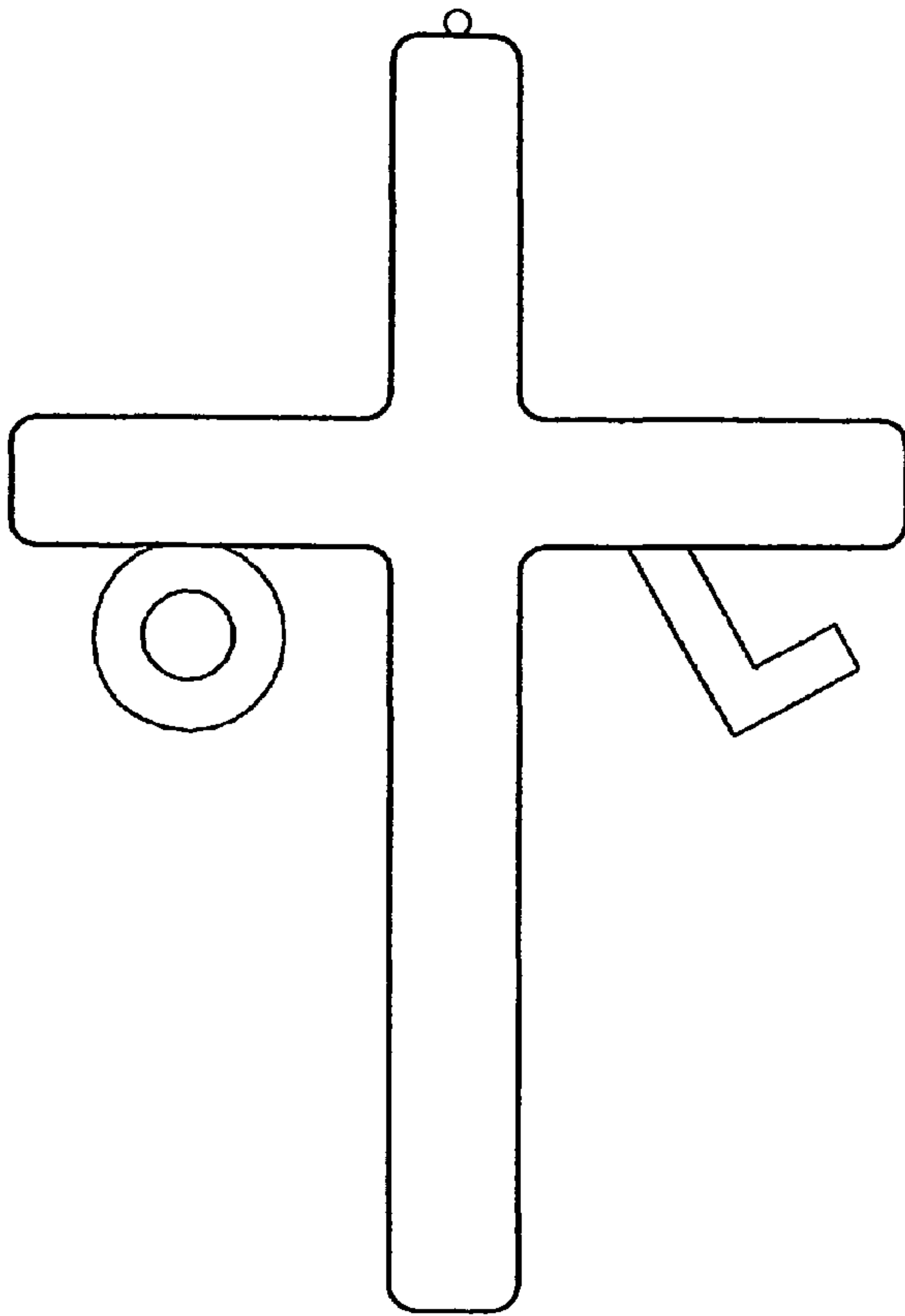


FIG. 3

FIG. 4



FIG. 5



FIG. 6



FIG. 7



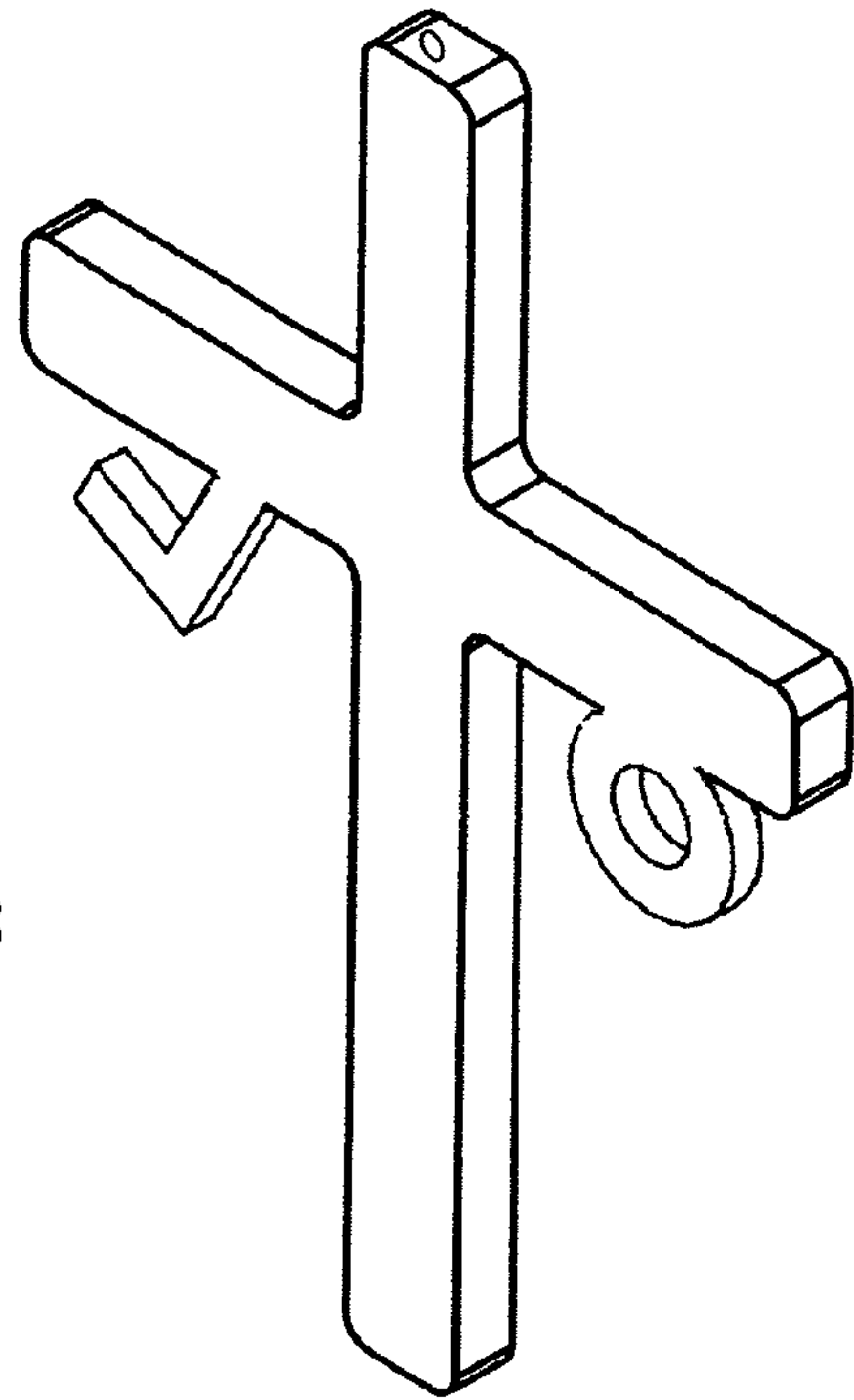


FIG. 8

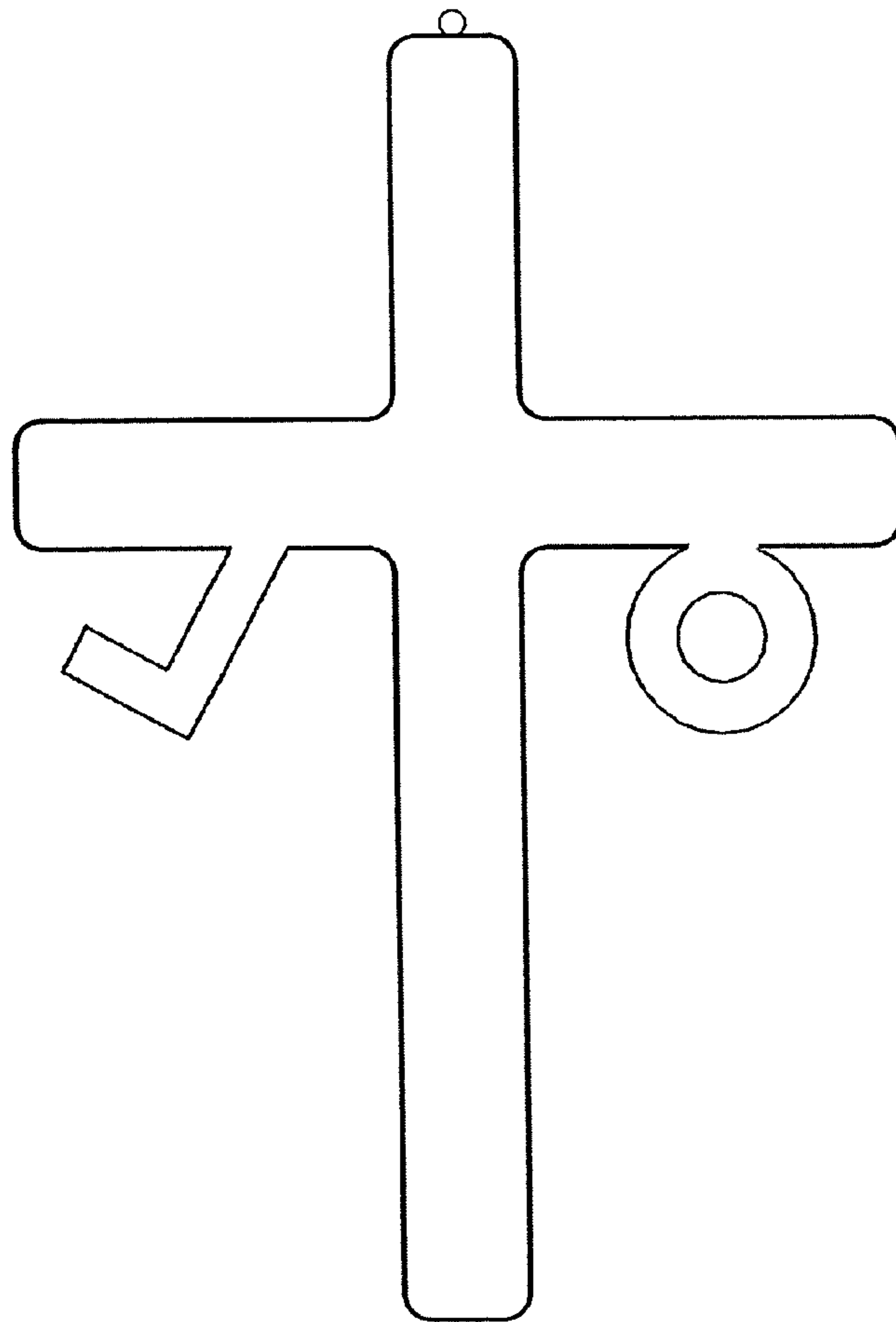


FIG. 9

FIG. 10

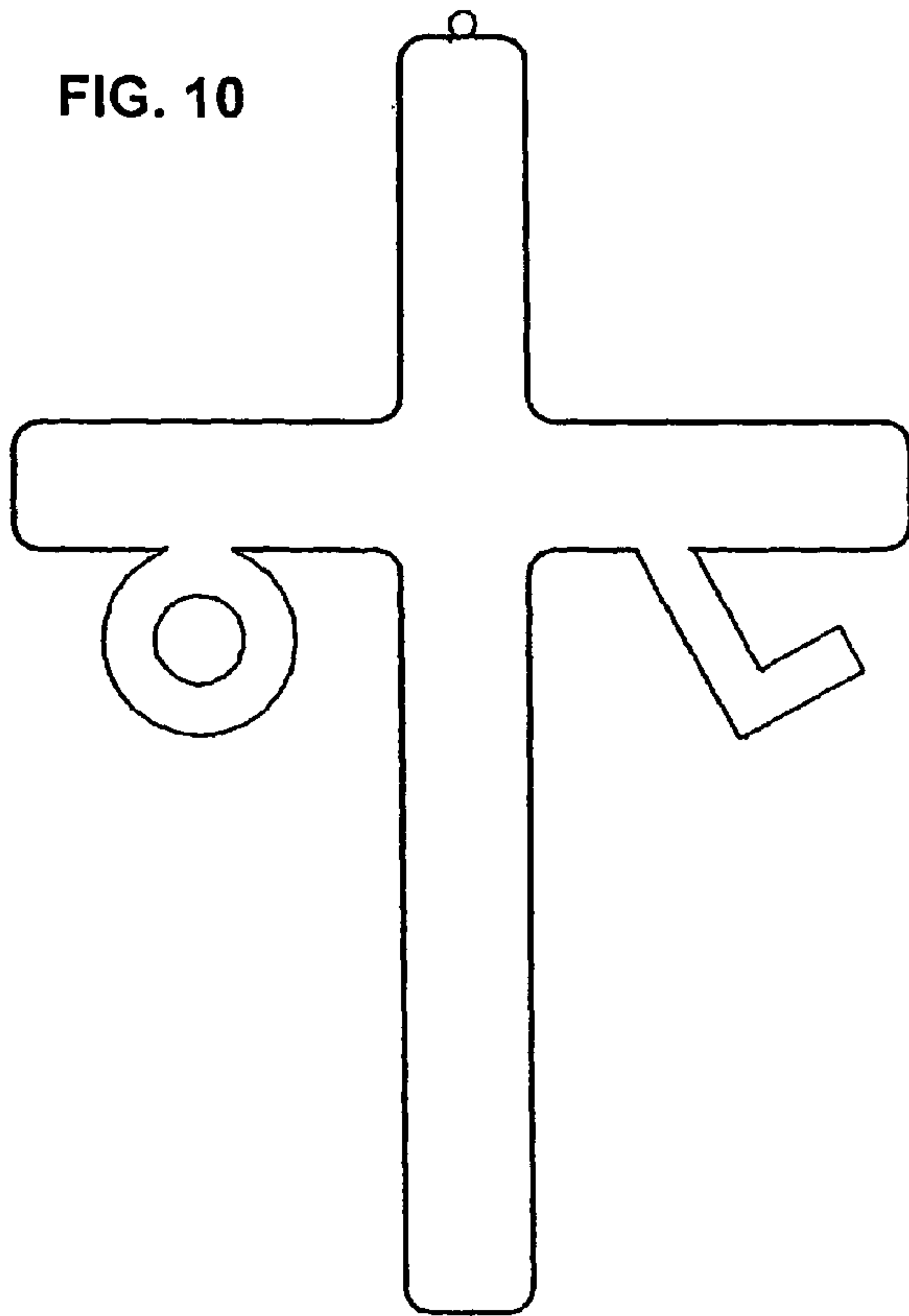


FIG. 11



FIG. 12



FIG. 13



FIG. 14

