

US00D694664S

(12) **United States Design Patent**
Schweiger

(10) **Patent No.:** **US D694,664 S**

(45) **Date of Patent:** **** Dec. 3, 2013**

(54) **STONE**

(71) Applicant: **Swarovski Aktiengesellschaft**, Triesen
(LI)

(72) Inventor: **Christoph Schweiger**, Vomp (AT)

(73) Assignee: **Swarovski Aktiengesellschaft**, Triesen
(LI)

(**) Term: **14 Years**

(21) Appl. No.: **29/458,264**

(22) Filed: **Jun. 18, 2013**

(30) **Foreign Application Priority Data**

Dec. 20, 2012 (EM) 2156737-0003

(51) **LOC (9) Cl.** **11-01**

(52) **U.S. Cl.**
USPC **D11/89**

(58) **Field of Classification Search**
USPC D11/1-2, 26-29, 89-92; 63/26-28, 32
See application file for complete search history.

(56) **References Cited**

U.S. PATENT DOCUMENTS

D591,195 S *	4/2009	Swarovski	D11/90
D626,026 S *	10/2010	Granig	D11/89
D649,904 S *	12/2011	Froehlich	D11/89
D658,535 S *	5/2012	Hodzic	D11/89

* cited by examiner

Primary Examiner — Ralf Seifert

(74) *Attorney, Agent, or Firm* — Wenderoth, Lind & Ponack,
L.L.P.

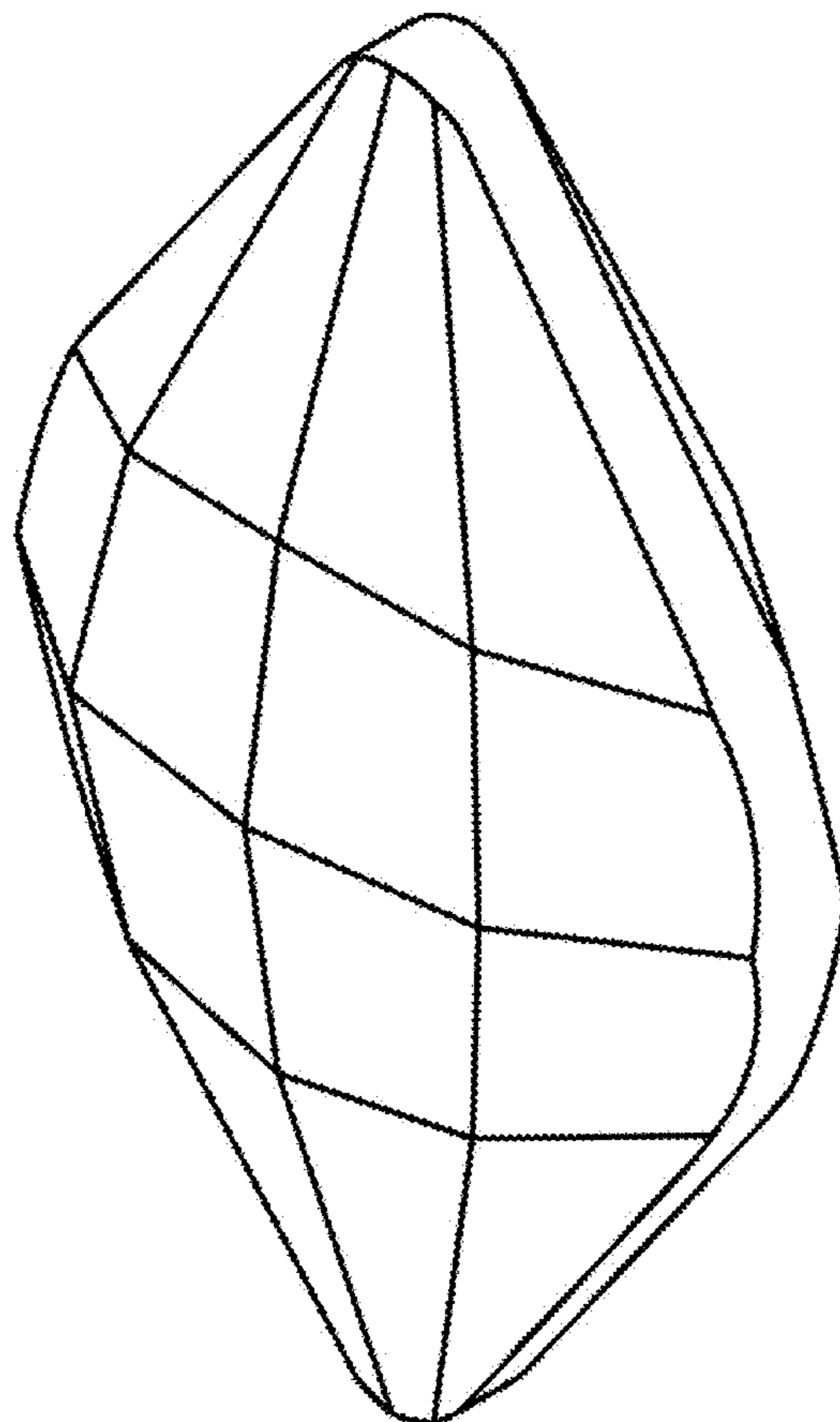
(57) **CLAIM**

The ornamental design for an ornamental stone, as shown and described.

DESCRIPTION

FIG. 1 is a perspective view of the invention;
FIG. 2 is a front view of the invention;
FIG. 3 is a rear view of the invention;
FIG. 4 is a left side view of the invention;
FIG. 5 is a top view of the invention;
FIG. 6 is a bottom view of the invention; and,
FIG. 7 is a right side view of the invention.

1 Claim, 7 Drawing Sheets



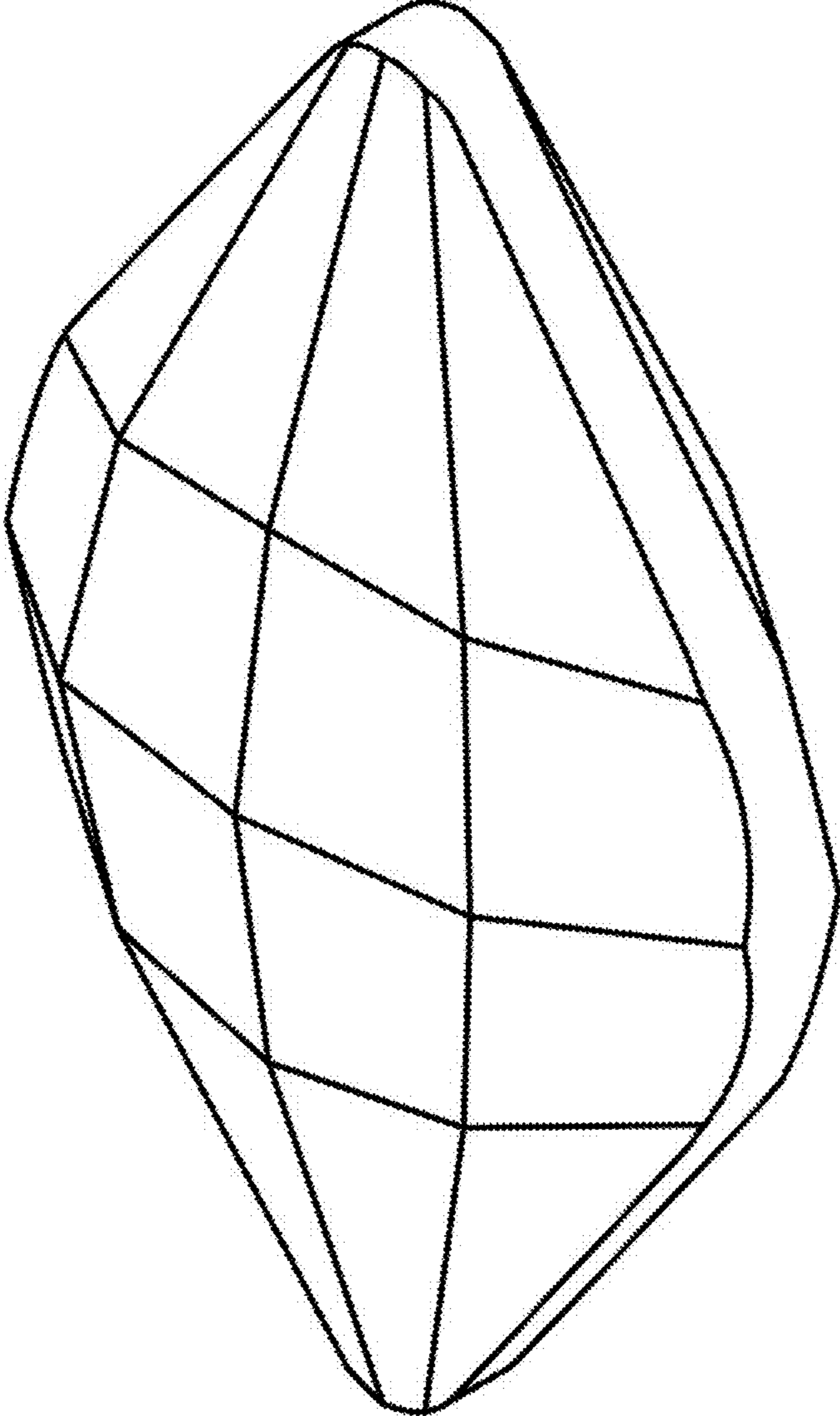


Fig. 1

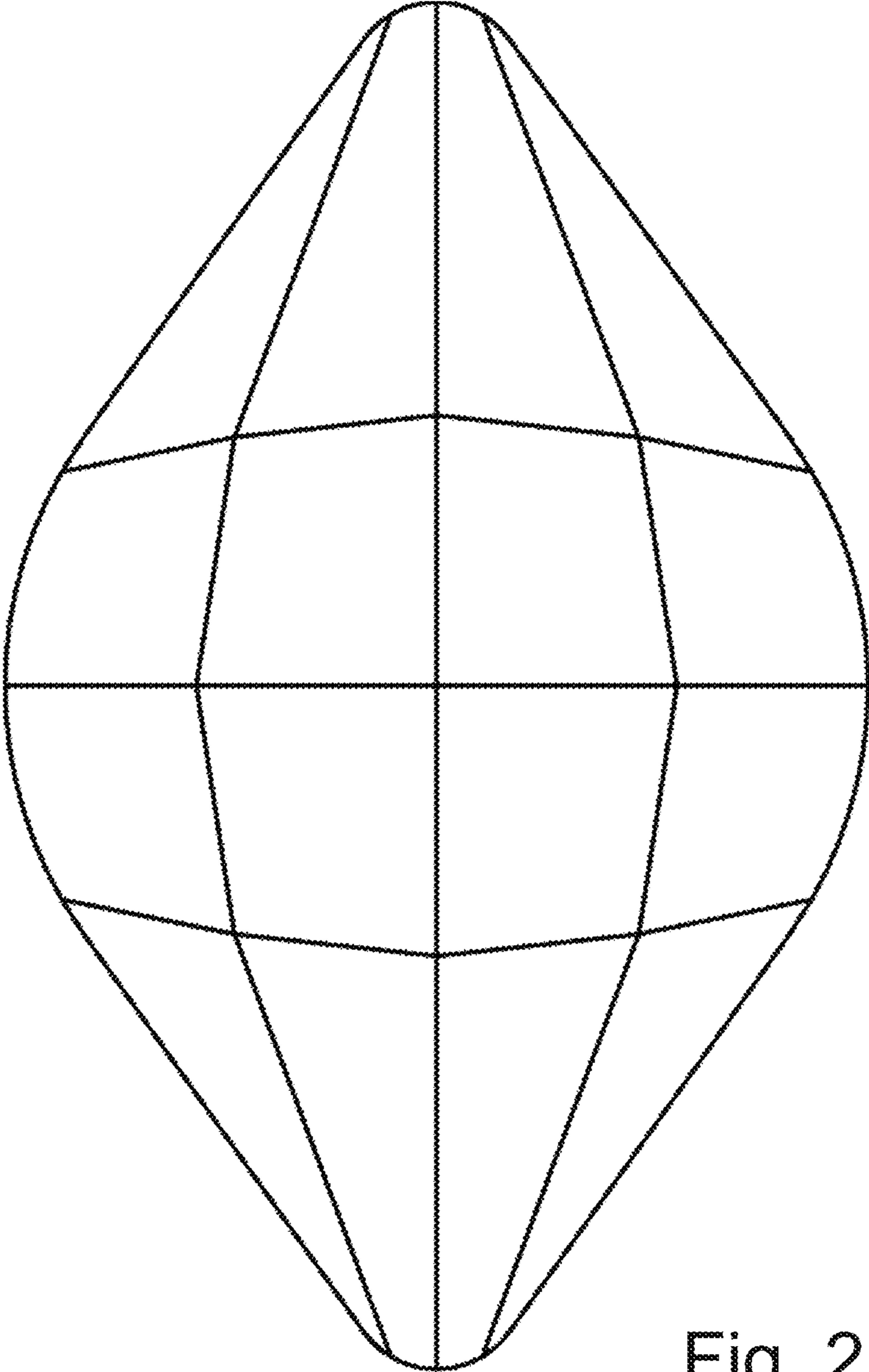


Fig. 2

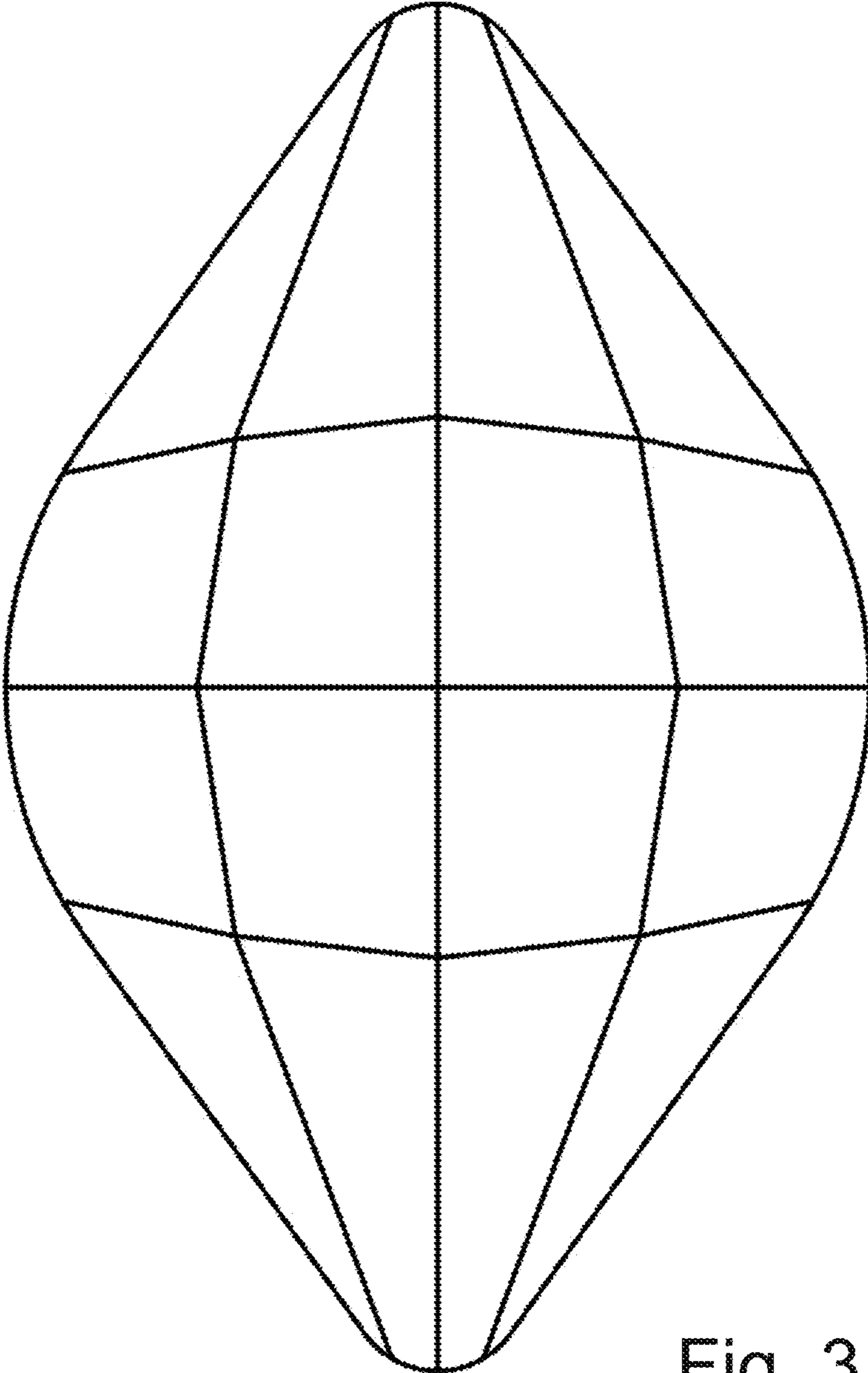


Fig. 3

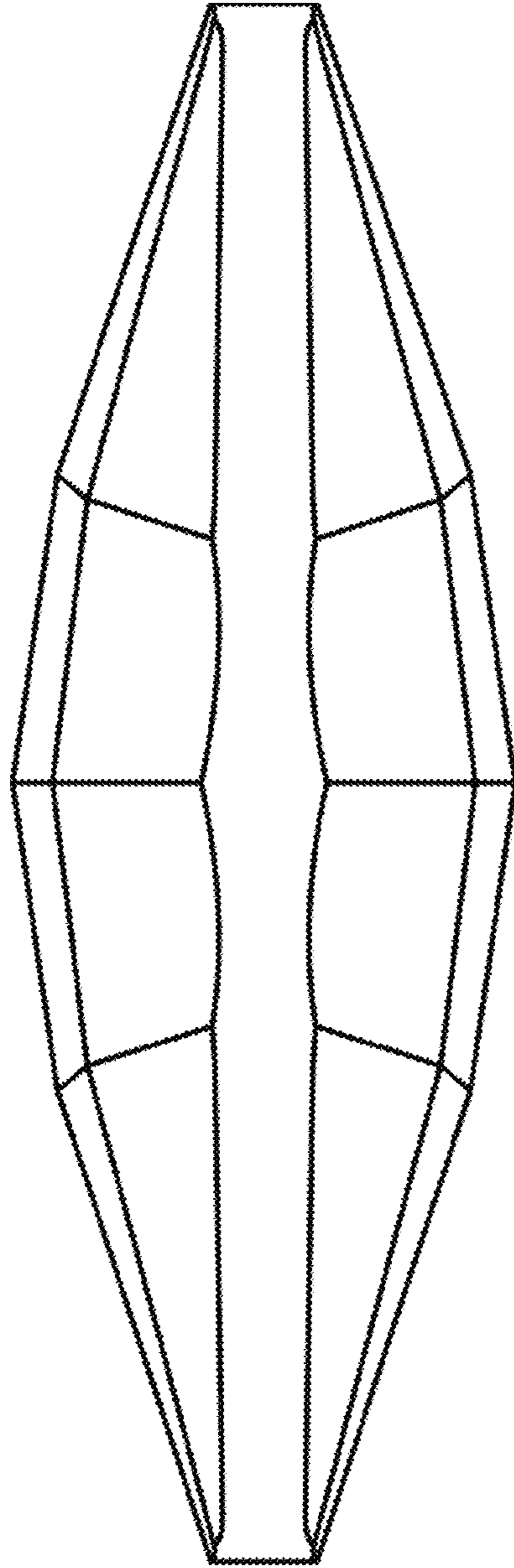


Fig. 4

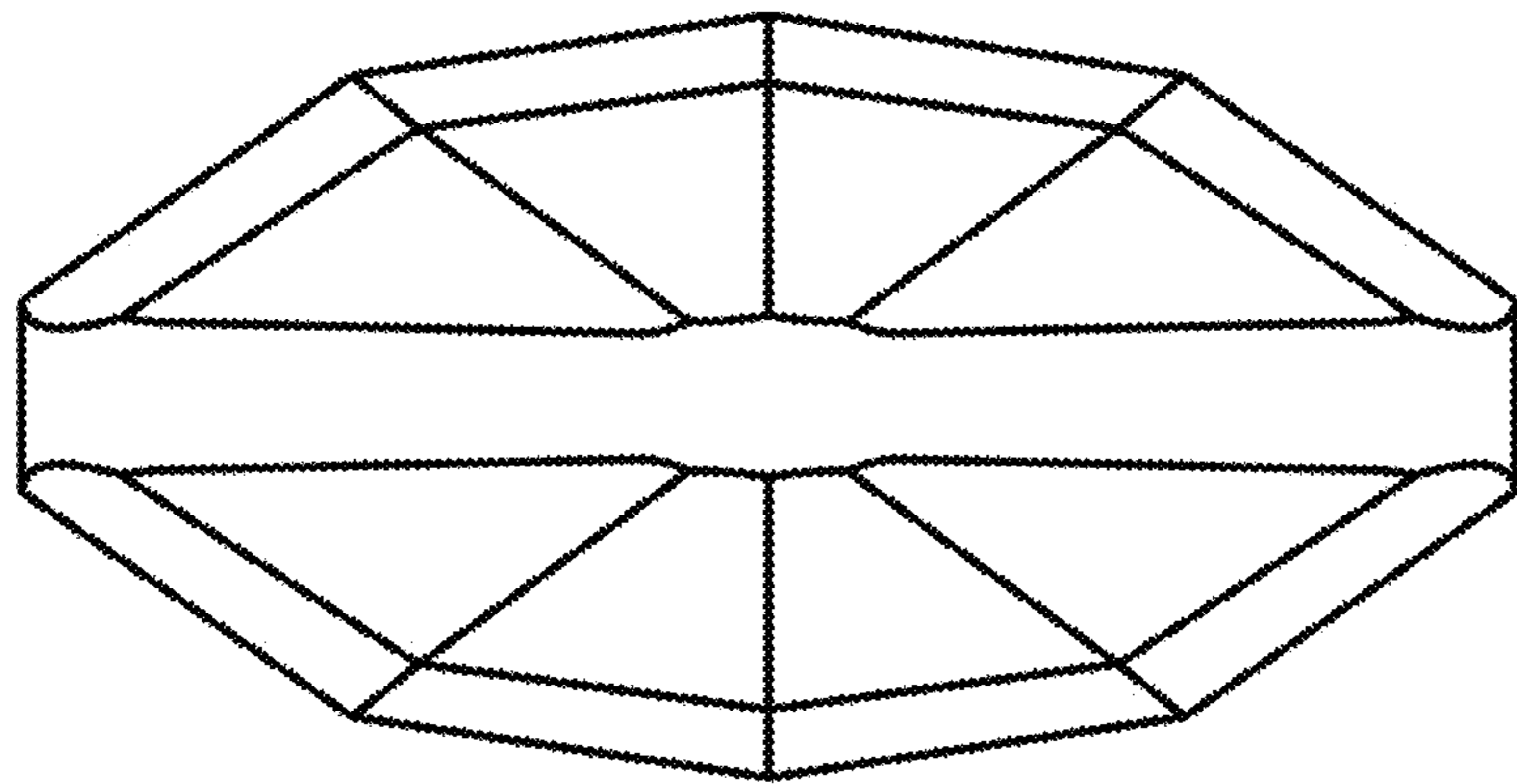


Fig. 5

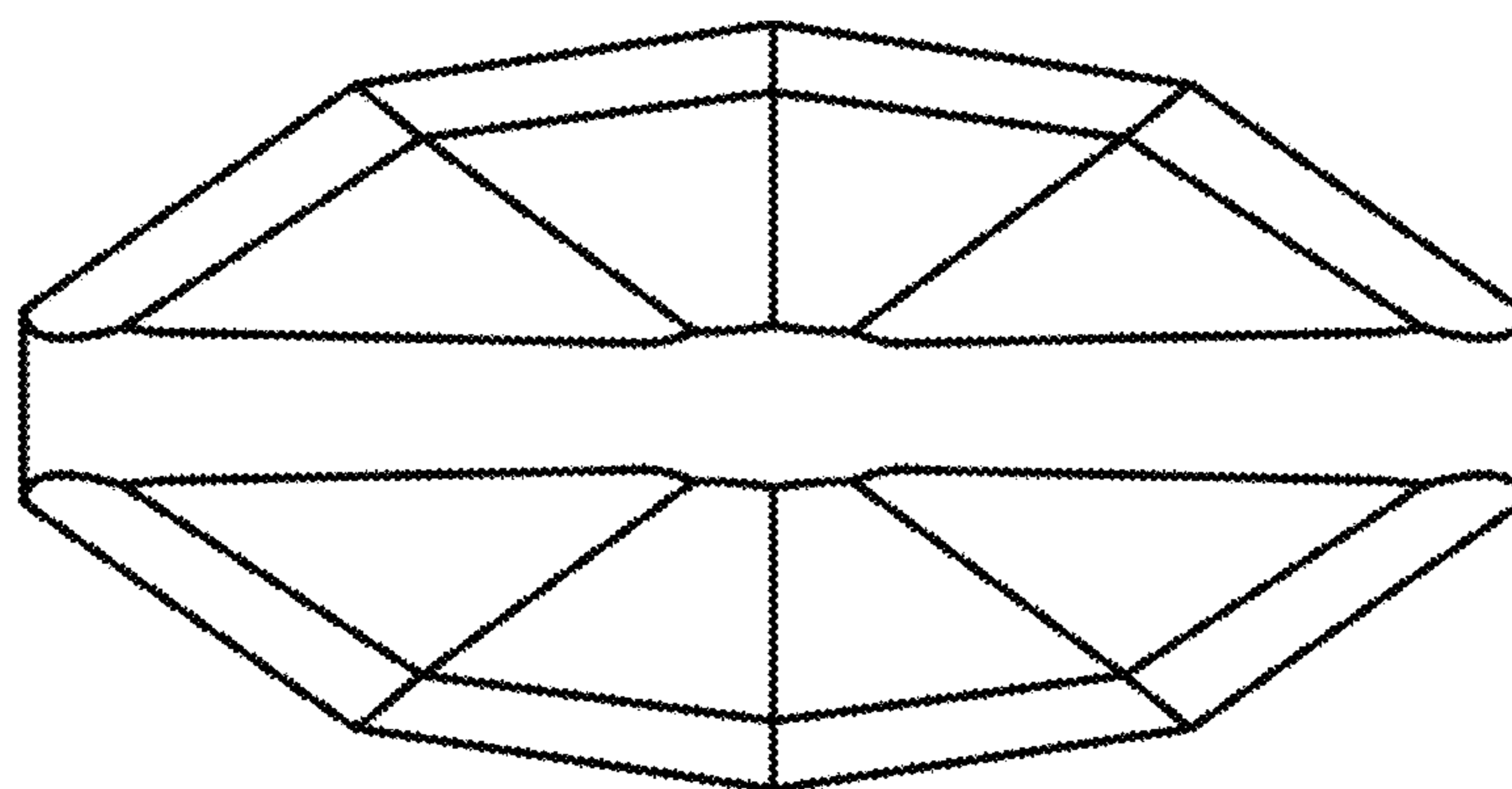


Fig. 6

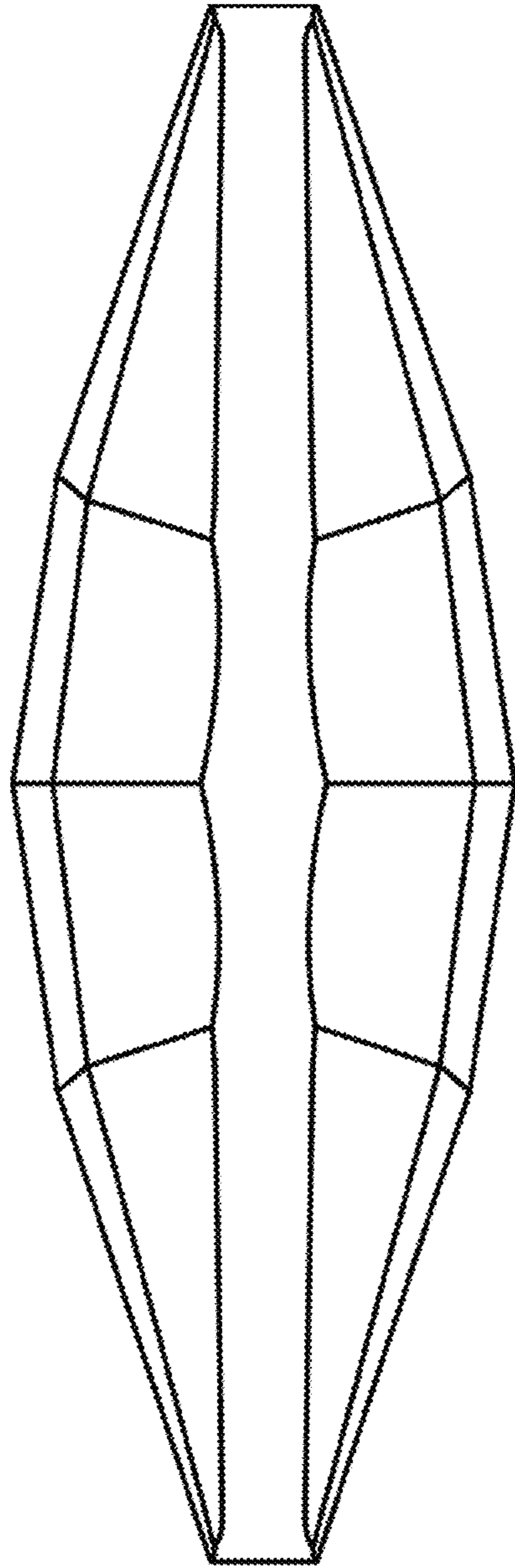


Fig. 7