



US00D694662S

(12) **United States Design Patent**
Buckley

(10) **Patent No.:** **US D694,662 S**

(45) **Date of Patent:** **** Dec. 3, 2013**

(54) **WRISTBAND**

(76) **Inventor:** **Joel Buckley**, Plymouth, MN (US)

(**) **Term:** **14 Years**

(21) **Appl. No.:** **29/406,066**

(22) **Filed:** **Nov. 9, 2011**

(51) **LOC (9) Cl.** **11-01**

(52) **U.S. Cl.**
USPC **D11/3**

(58) **Field of Classification Search**
USPC D11/1-25; 63/3, 3.1, 3.2, 5, 15.1-15.4,
63/15.45, 15.5, 15.6, 15.65
See application file for complete search history.

(56) **References Cited**

U.S. PATENT DOCUMENTS

D55,788 S *	7/1920	Griffin	D11/6
D109,704 S *	5/1938	Dinhofer	D11/34
D167,120 S *	6/1952	Sorrentino	D11/34
D177,596 S *	5/1956	Silver	D11/26
3,298,579 A	1/1967	Smith	
4,069,954 A	1/1978	Rauch	
D257,021 S *	9/1980	Barr	D11/34
4,325,504 A	4/1982	Amani	
4,489,444 A	12/1984	Graham	
5,295,683 A	3/1994	Tate	
5,769,740 A	6/1998	Colangelo	
D404,675 S *	1/1999	Green	D11/3
D404,677 S	1/1999	Johnson	
6,035,443 A	3/2000	Green	
D425,441 S	5/2000	Hillard et al.	
6,163,889 A	12/2000	Tate	
6,173,451 B1	1/2001	DeVincenzi	
D451,422 S *	12/2001	Wenrich	D11/26
6,569,039 B1	5/2003	Cope	
6,984,183 B2	1/2006	Cope	
D519,396 S	4/2006	Migliorati	
D524,184 S	7/2006	Watanabe	
D548,128 S	8/2007	Andren et al.	

D553,536 S	10/2007	Andren et al.	
D557,161 S	12/2007	Cerullo et al.	
D562,174 S *	2/2008	Miller	D11/34
7,721,570 B2	5/2010	Lawrence	
7,727,087 B2	6/2010	Houghton	
D623,550 S	9/2010	Weber	
D632,202 S *	2/2011	Rodarmel	D11/3
D640,948 S *	7/2011	Quigley	D11/3
D646,192 S *	10/2011	Woode	D11/3
D683,649 S *	6/2013	Papadimitriou	D11/34
2002/0043077 A1	4/2002	Boyadjian	
2005/0272520 A9	12/2005	Cope	
2009/0156332 A1	6/2009	Smith	

OTHER PUBLICATIONS

Golf Ball Marker Ankle Bracelets: Magnetic Angle Bracelet with Golf Ball Marker [online] [retrieved on Mar. 8, 2011] [Retrieved from] <<http://www.pchandyandy.com/Golfball-Marker/index.htm>> 3 pgs.

(Continued)

Primary Examiner — Jennifer Rivard

Assistant Examiner — Melanie Pellegrini

(74) *Attorney, Agent, or Firm* — Billion & Armitage; Benjamin C. Armitage

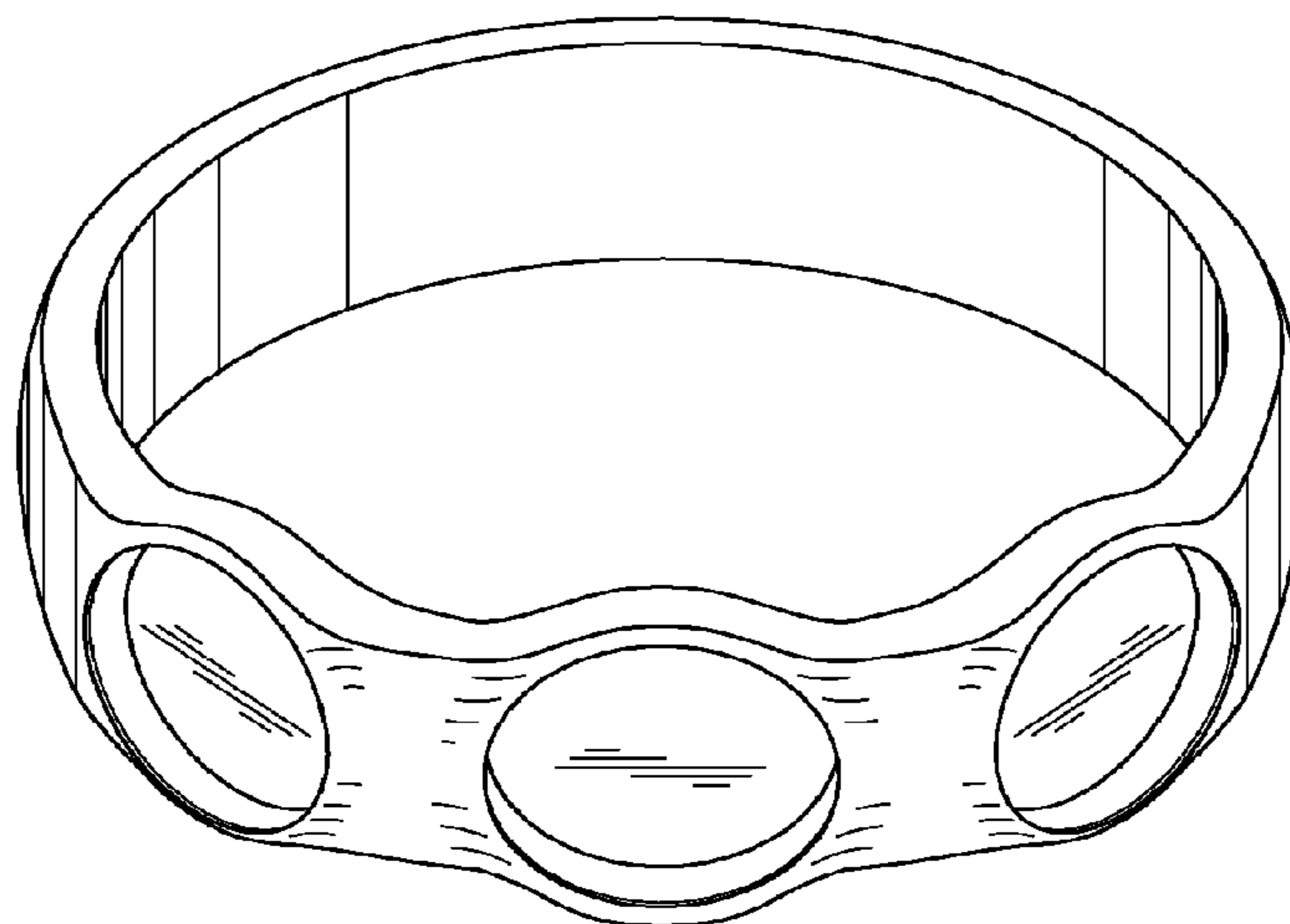
(57) **CLAIM**

The ornamental design for a wristband, as shown and described.

DESCRIPTION

FIG. 1 is a perspective view of a wristband showing the new design;
FIG. 2 is a top view thereof;
FIG. 3 is a bottom view thereof;
FIG. 4 is a front view thereof, with the back being a mirror image thereof; and,
FIG. 5 is a right side view thereof, with the other side being a mirror image thereof.

1 Claim, 3 Drawing Sheets



(56)

References Cited

OTHER PUBLICATIONS

Bicox Golf Ball Marker Health Bracelet products, buy Bicox Golf Ball Marker Health Bracelet: Bicox Golf Ball marker Health Bracelet [online] [retrieved on Mar. 8, 2011] [retrieved from] <http://www.alibaba.com/product-free/109539660/Bicox_Golf_Ball_Marker_Health_Bracelet.html> 3 pgs.

Fashion Magnet Ball Marker Golf Bracelet Titanium Ion—eBay item 200520992132 [online] [retrieved on Mar. 8, 2011] [retrieved from

] <<http://cgi.ebay.com/Fashion-Magnet-Ball-Marker-Golf-Bracelet-Titanium-Ion/2005209921...>> 6 pgs.

Golf Ball Marker Necklace by BirdsBeadsTX on Etsy Golf Ball Marker Necklace [online] [retrieved on Mar. 8, 2011] [retrieved from] <<http://www.etsy.com/listing/61227585/golf-ball-marker-necklace>> 5 pgs.

* cited by examiner

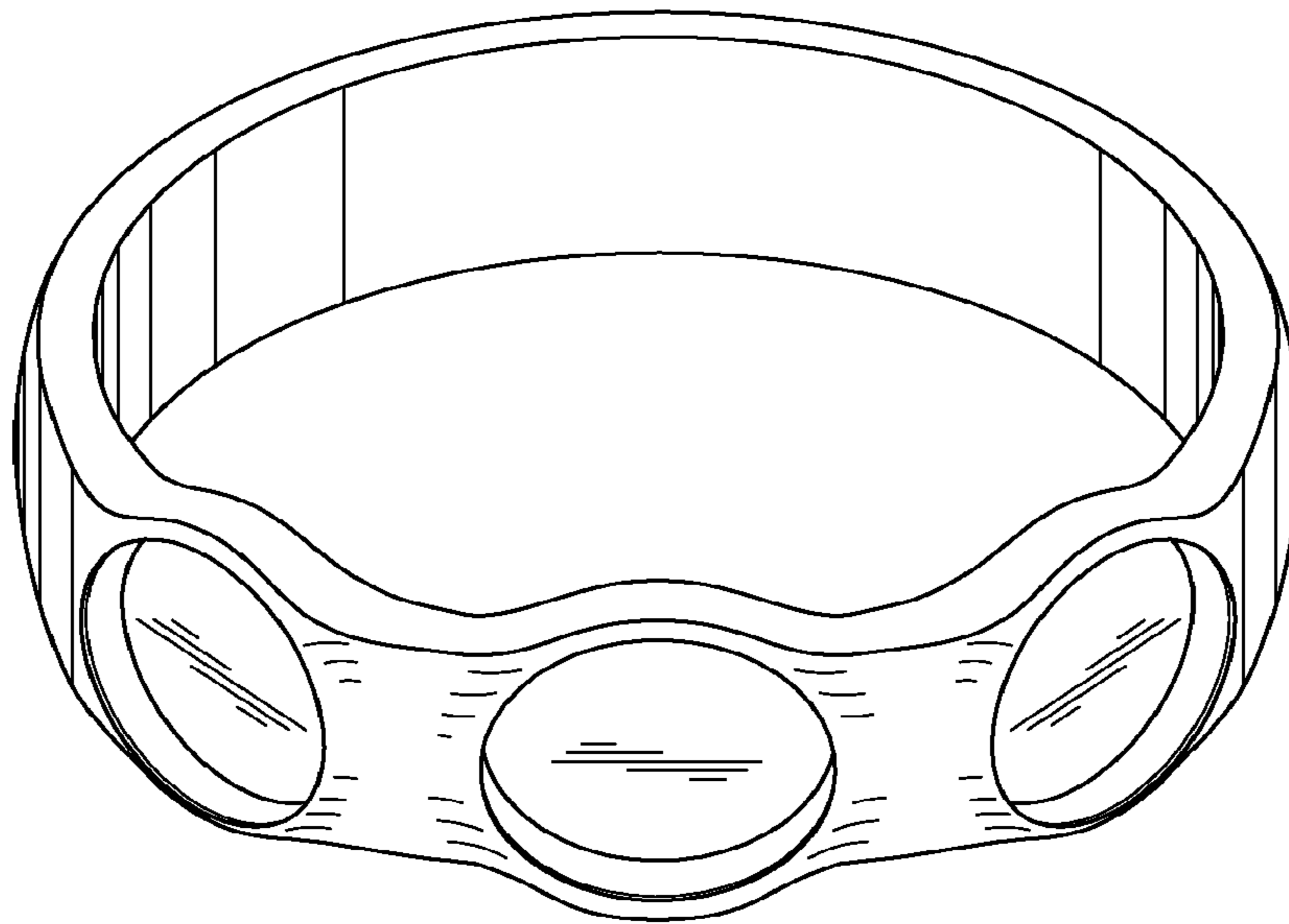


FIG. 1

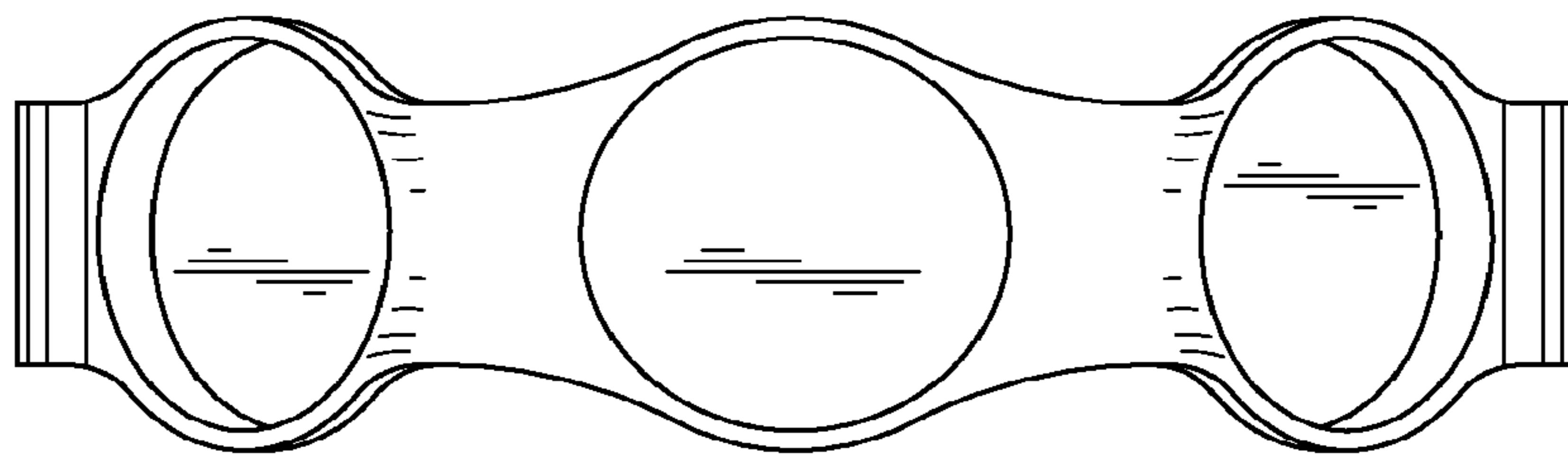


FIG. 2

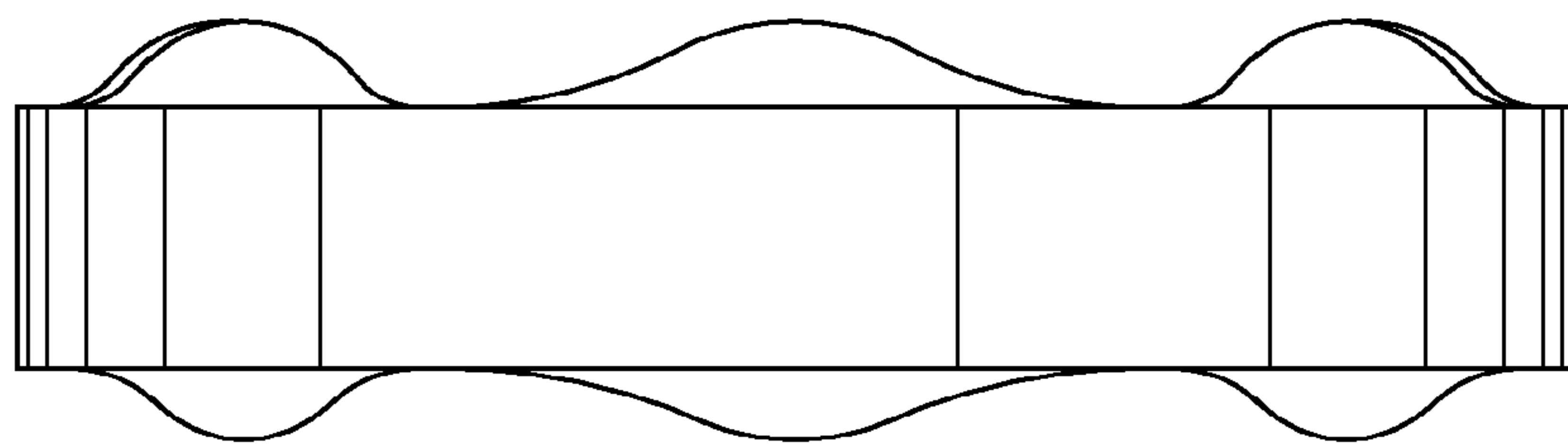


FIG. 3

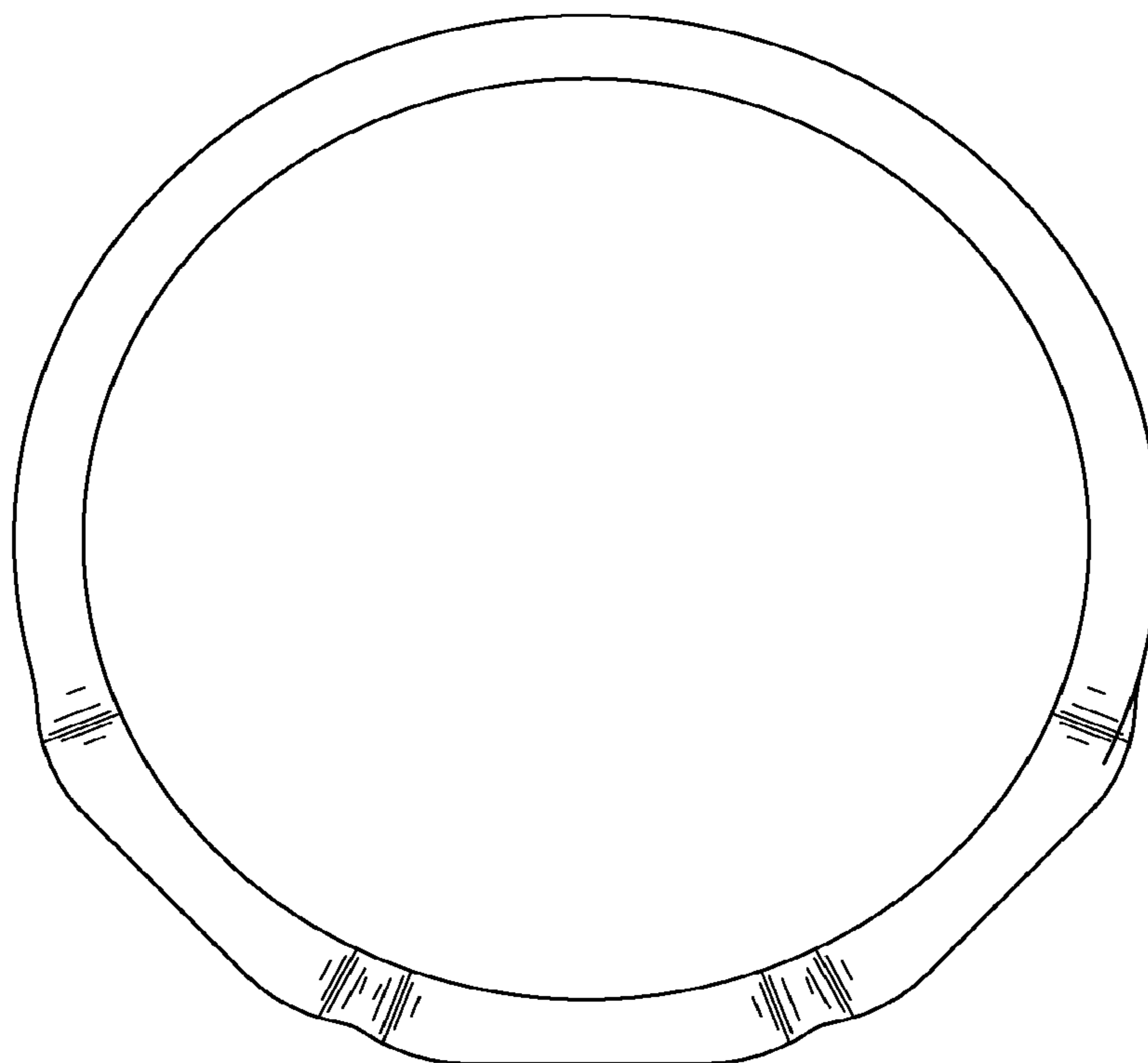


FIG. 4

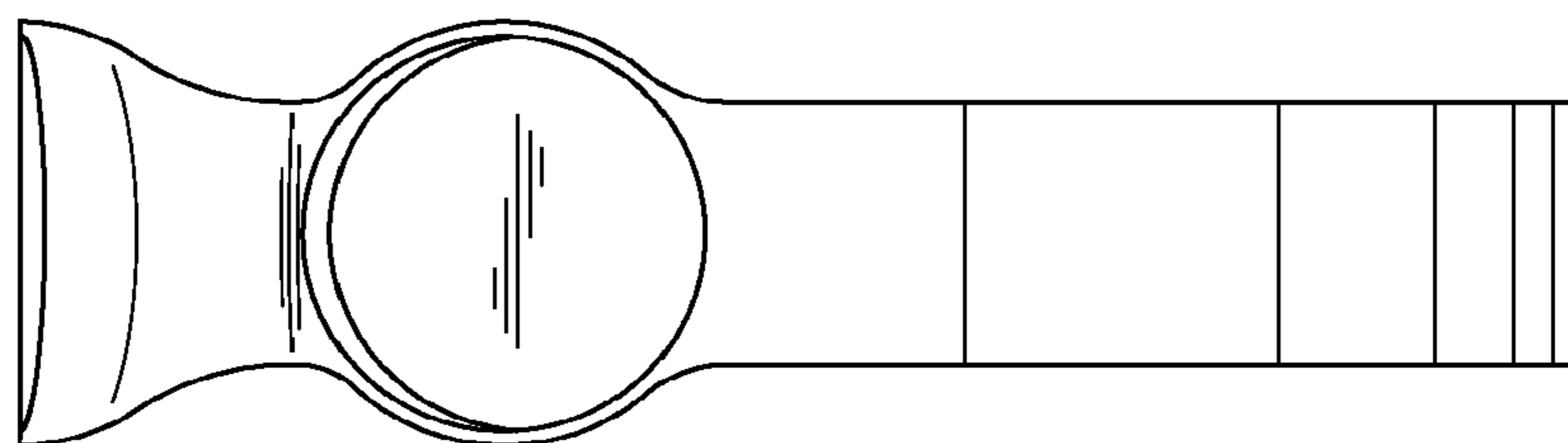


FIG. 5