



US00D694660S

(12) **United States Design Patent**
Pichler et al.

(10) **Patent No.:** **US D694,660 S**
(45) **Date of Patent:** **** Dec. 3, 2013**

(54) **MINI KIOSK**

(71) Applicant: **Orthera, Inc.**, San Diego, CA (US)

(72) Inventors: **Thomas Pichler**, San Diego, CA (US);
Nolan Bedford, San Diego, CA (US)

(**) Term: **14 Years**

(21) Appl. No.: **29/453,075**

(22) Filed: **Apr. 24, 2013**

(51) **LOC (9) Cl.** **10-04**

(52) **U.S. Cl.**

USPC **D10/94**

(58) **Field of Classification Search**

USPC D10/93-94; 177/25.12-25.18,
177/238-245, 177, 126, 1, 181, 210 R,
177/210 C, 25, 30, 127, DIG. 3, 130, 140,
177/246, 253, 25.13, 25.16, 25.19;
600/506, 547, 592, 587, 595, 556, 554;
116/67 R; 128/905; 174/520; 340/626;
361/679.06, 730, 752; 702/173

See application file for complete search history.

(56) **References Cited**

U.S. PATENT DOCUMENTS

6,222,137 B1 * 4/2001 Handford 177/126
D511,982 S * 11/2005 Koberling D10/93

* cited by examiner

Primary Examiner — Antoine D Davis

(74) *Attorney, Agent, or Firm* — Kilpatrick Townsend & Stockton LLP

(57) **CLAIM**

The ornamental design for a mini kiosk, as shown and described.

DESCRIPTION

FIG. 1 is a perspective view of a mini kiosk showing my new design;

FIG. 2 is a front elevational view thereof;

FIG. 3 is a rear elevational view thereof;

FIG. 4 is a left side elevational view thereof;

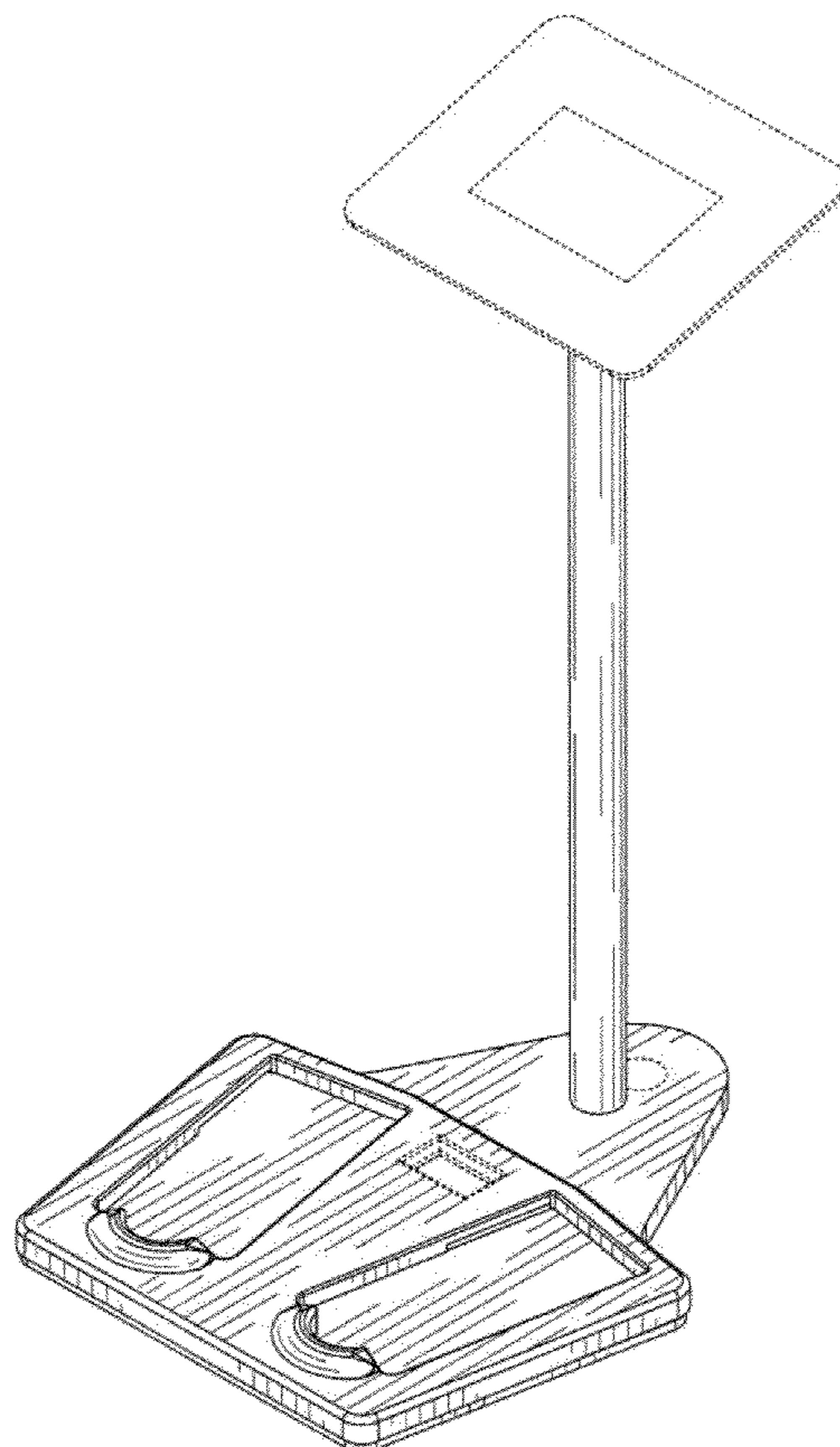
FIG. 5 is a right side elevational view thereof;

FIG. 6 is a top plan view thereof; and,

FIG. 7 is a bottom plan view thereof.

The broken line showing of environmental matter is for illustrative purposes only and forms no part of the claimed design.

1 Claim, 4 Drawing Sheets



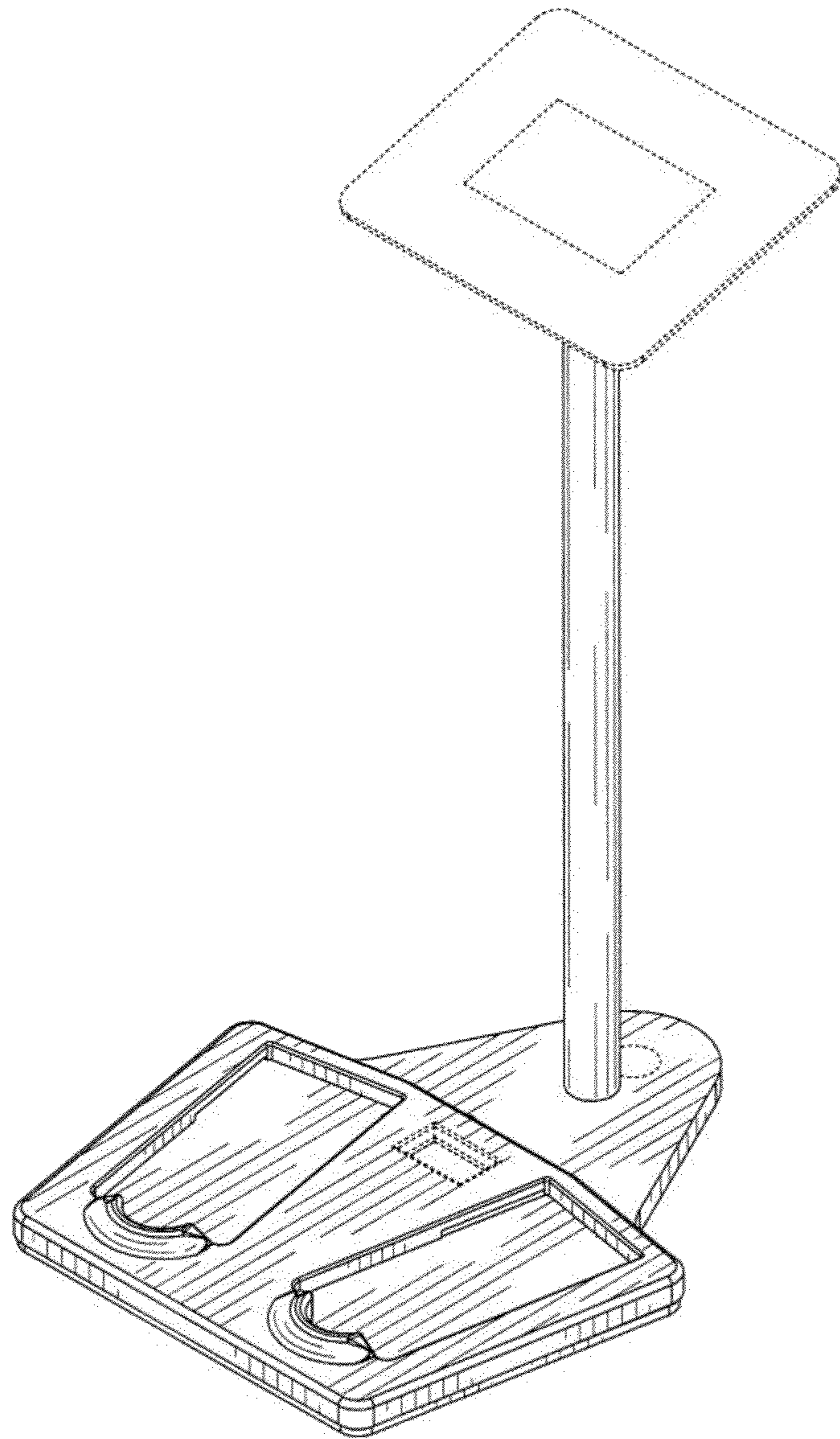


FIG. 1

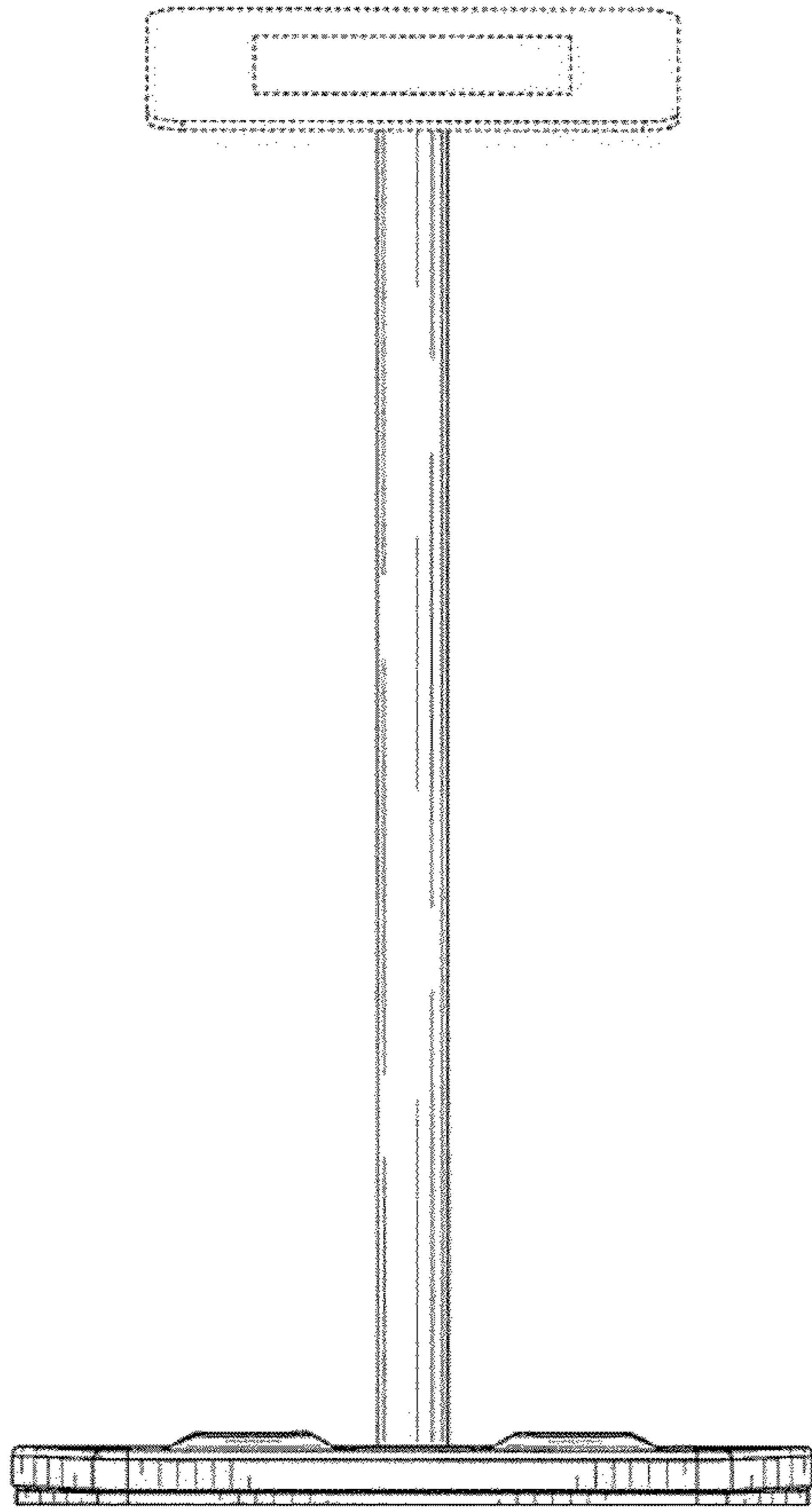


FIG. 2

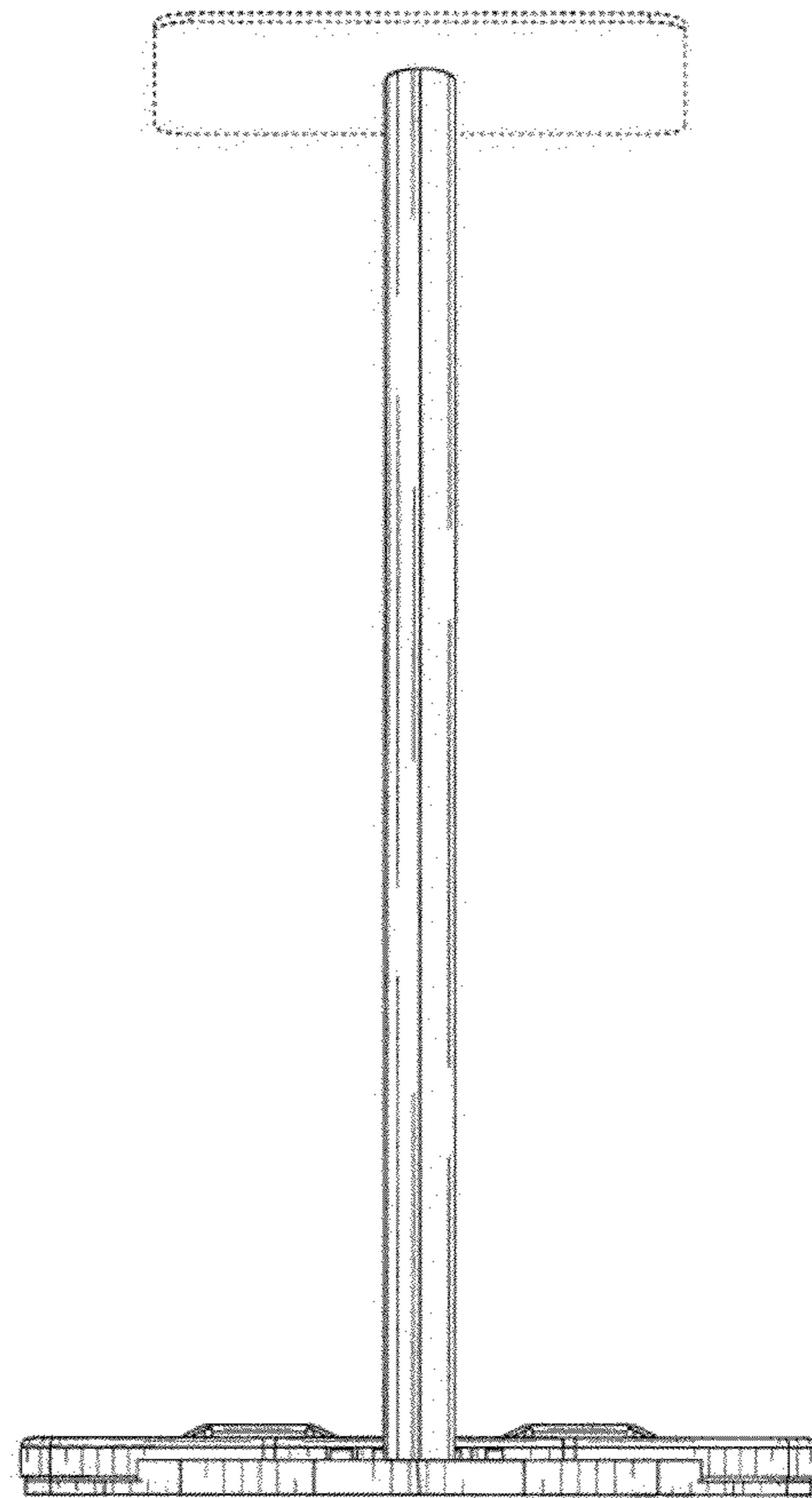


FIG. 3

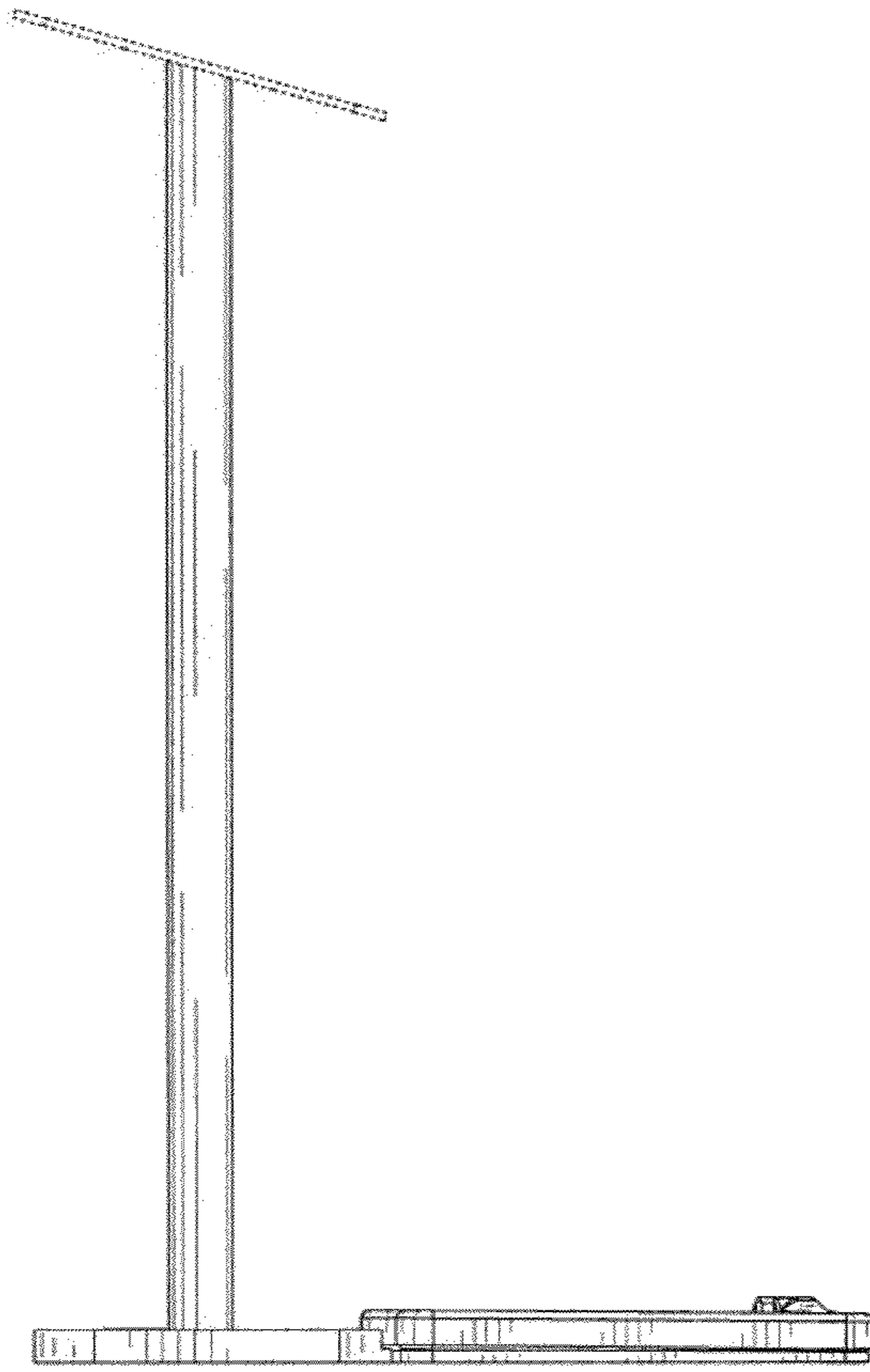


FIG. 4

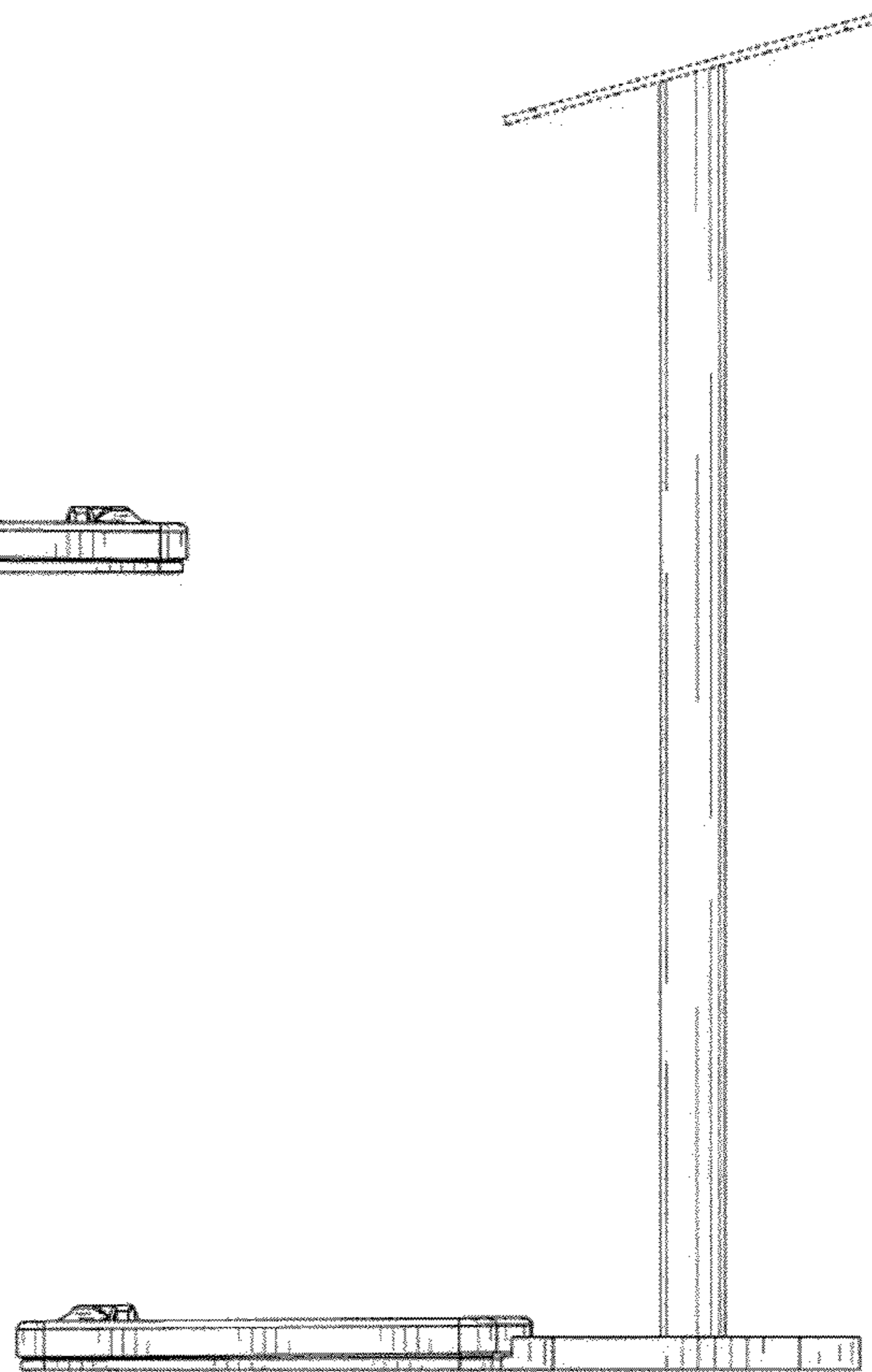


FIG. 5

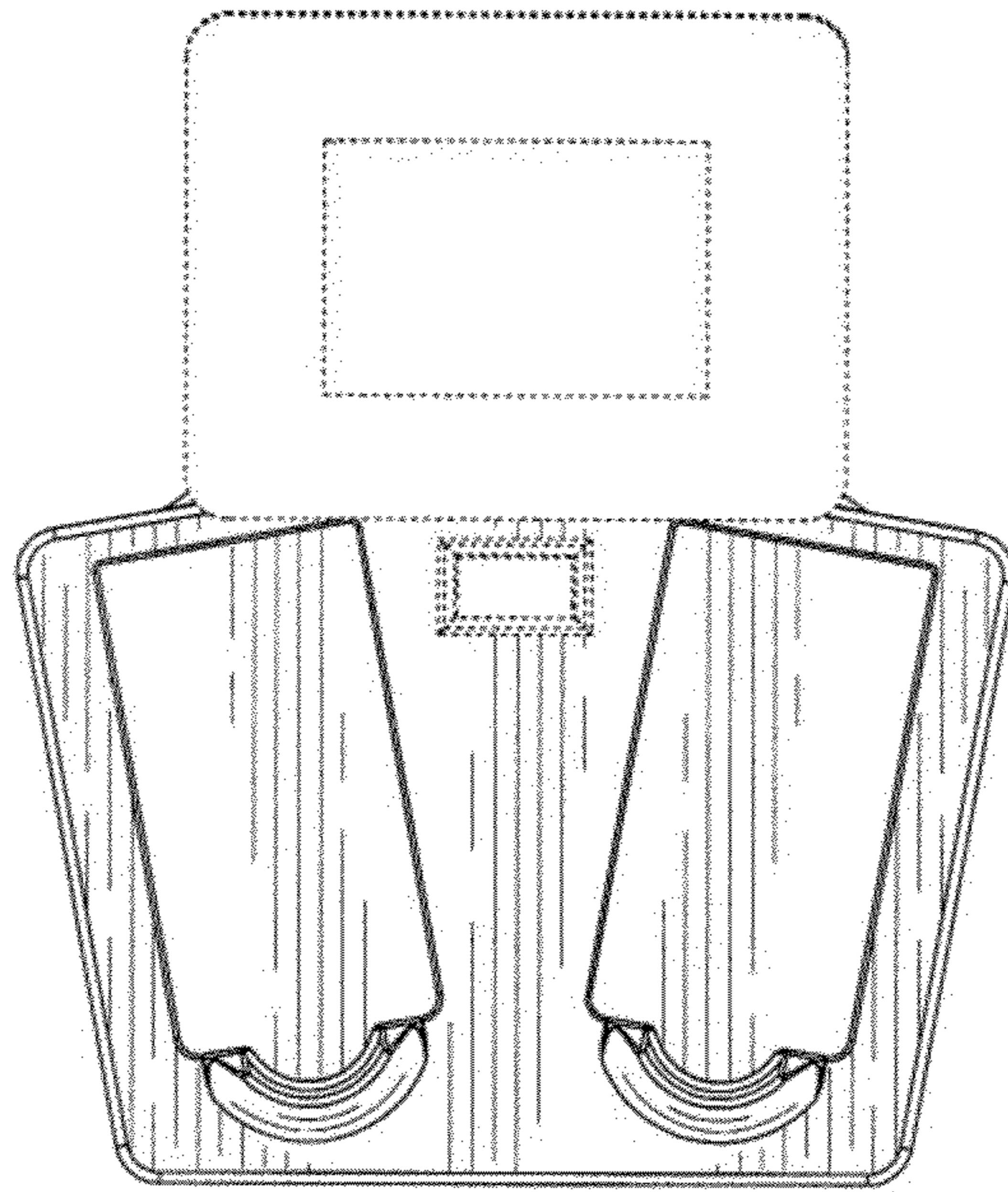


FIG. 6

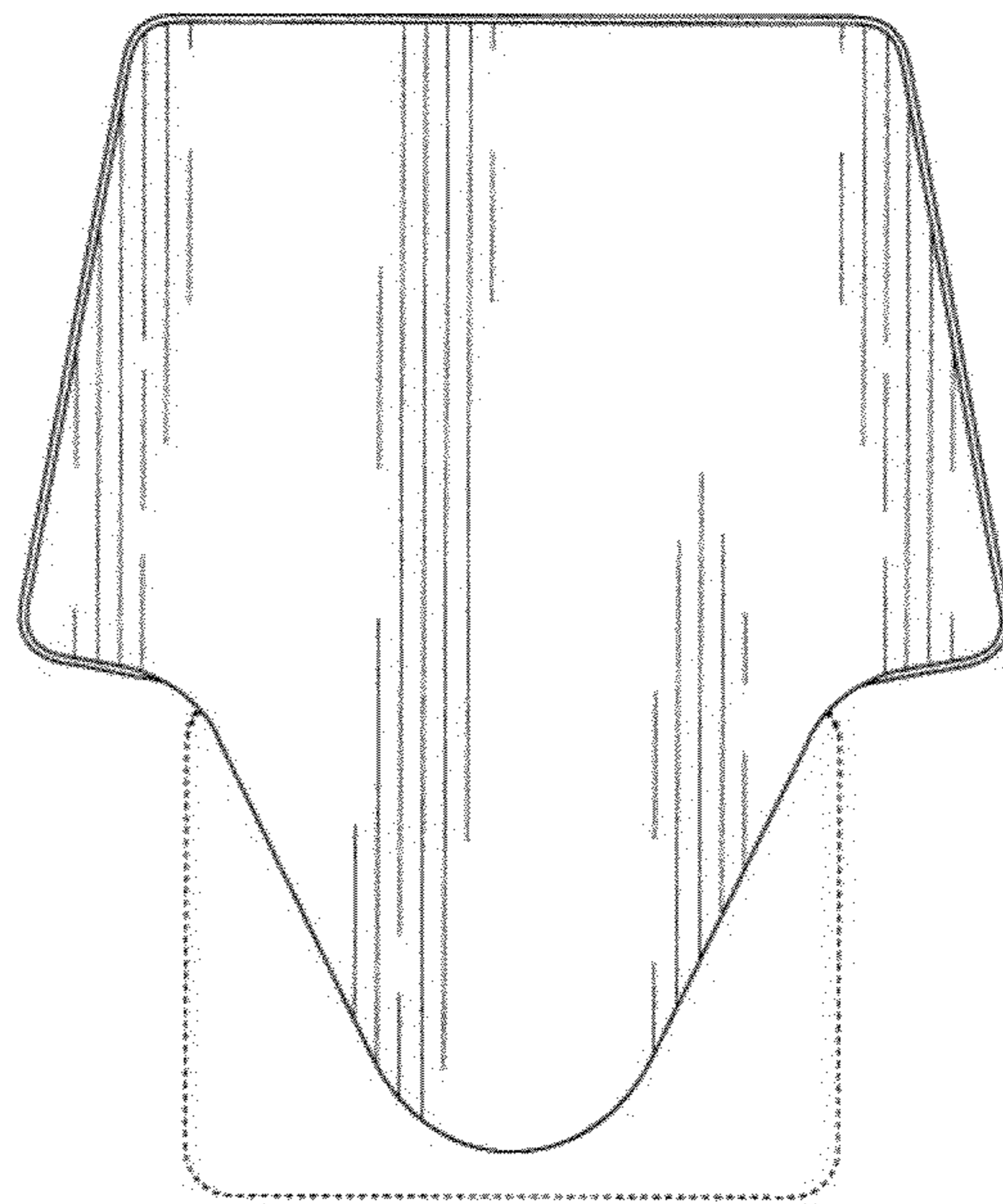


FIG. 7