

US00D694658S

(12) **United States Design Patent**  
**Avidor et al.**

(10) **Patent No.:** **US D694,658 S**

(45) **Date of Patent:** **\*\* \*Dec. 3, 2013**

(54) **PERSONAL LOCATOR BEACON**

(75) Inventors: **Dalia Avidor**, Cooper City, FL (US);  
**Eric M. Hiner**, Plantation, FL (US)

(73) Assignee: **Astronics Corporation**, East Aurora,  
NY (US)

(\*) Notice: This patent is subject to a terminal disclaimer.

(\*\*) Term: **14 Years**

(21) Appl. No.: **29/426,871**

(22) Filed: **Jul. 11, 2012**

(51) **LOC (9) Cl.** ..... **10-04**

(52) **U.S. Cl.**  
USPC ..... **D10/65; D10/70**

(58) **Field of Classification Search**  
USPC ..... D10/65, 70, 75, 78; D14/138 R, 138 AA,  
D14/138 AB, 138 AC, 138 AD, 341-347,  
D14/507-510, 136, 167, 168, 496, 498, 499,  
D14/500, 125-134, 239, 371, 374-377, 440,  
D14/450, 448, 336, 342; 343/702; 345/87,  
345/104, 133, 156, 168, 173, 901-905,  
345/165; 348/180, 184, 315, 739, 836, 838,  
348/325; 364/444, 499; 701/408-418, 431,  
701/432, 537; 312/7.2; 341/12; 720/605,  
720/669, 600, 655; 369/99, 197; 455/344,  
455/347, 575.1; 250/221, 338.3, 340, 239,  
250/342, 341, DIG. 1, 353; 307/116, 117;  
340/521, 527, 541, 567, 540, 568.2,  
340/539.23, 635, 687; 315/159; 324/72.5,  
324/556, 133, 149, 503, 543, 555, 66, 72,  
324/754, 115, 141, 522; 73/615, 624, 627,

73/644, 514.33, 514.34, 510, 513, 527,  
73/530; 356/3.01-5.15; 235/105; 377/5,  
377/24.2, 26; 702/155, 160, 176, 78, 79,  
702/82, 91-95, 104, 116, 141, 150, 151,  
702/154, 127, 131, 182, 183, 189; 600/437,  
600/443, 453, 459, 465, 479, 500, 502, 595,  
600/485, 481, 483

See application file for complete search history.

(56) **References Cited**

U.S. PATENT DOCUMENTS

D416,502 S \* 11/1999 Autry et al. .... D10/65  
D675,946 S \* 2/2013 Chan ..... D10/65

\* cited by examiner

*Primary Examiner* — Antoine D Davis

(74) *Attorney, Agent, or Firm* — Hodgson Russ LLP

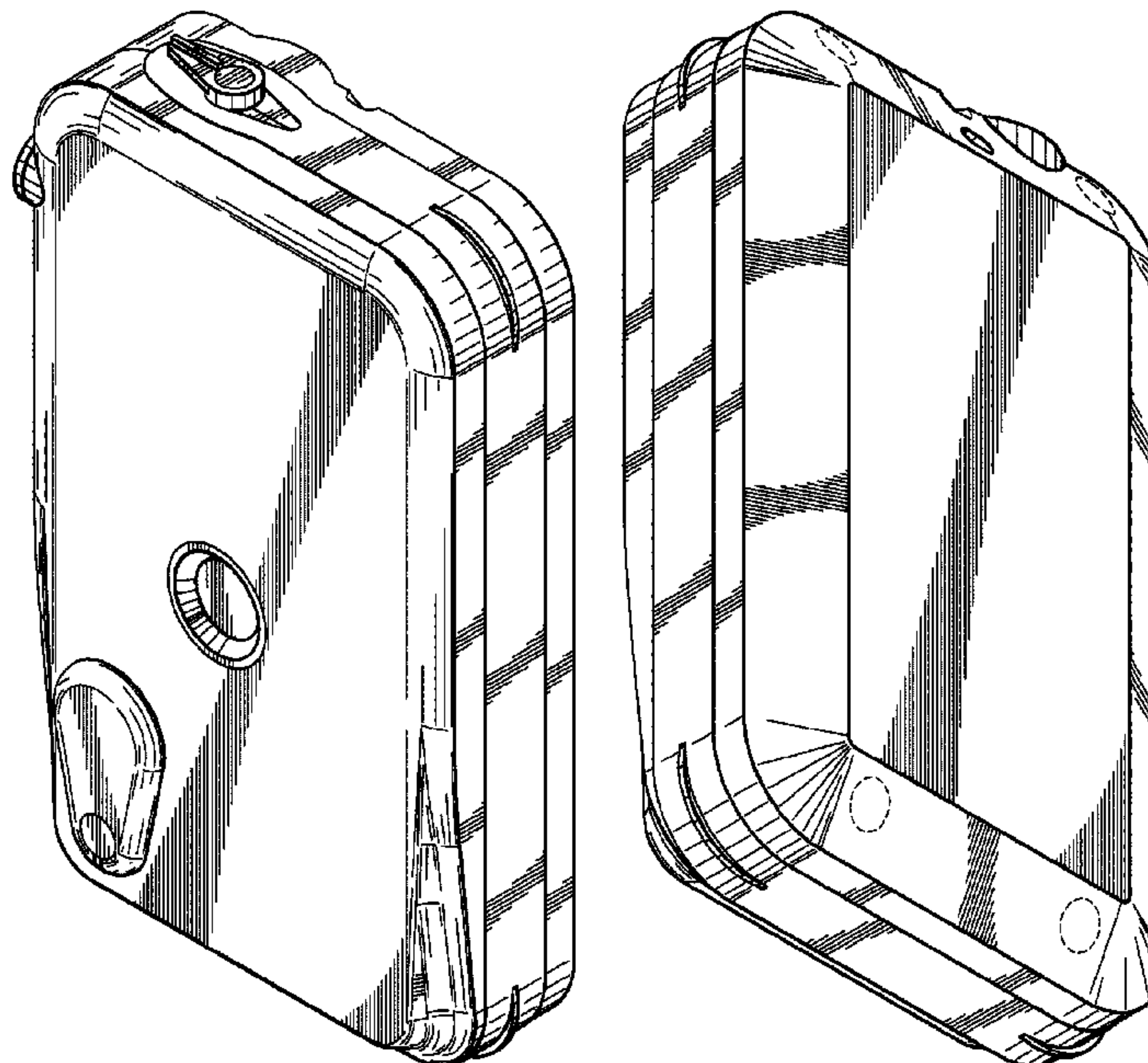
(57) **CLAIM**

The ornamental design for a personal locator beacon, as shown and described.

**DESCRIPTION**

FIG. 1 is a front perspective view of a personal locator beacon showing my new design, the dotted portion is for reference only and does not form a part of my design;  
FIG. 2 is a rear perspective view thereof;  
FIG. 3 is a front view thereof;  
FIG. 4 is a right side view thereof;  
FIG. 5 is a rear view thereof;  
FIG. 6 is a left side view thereof;  
FIG. 7 is a top view thereof; and,  
FIG. 8 is a bottom view thereof.

**1 Claim, 6 Drawing Sheets**



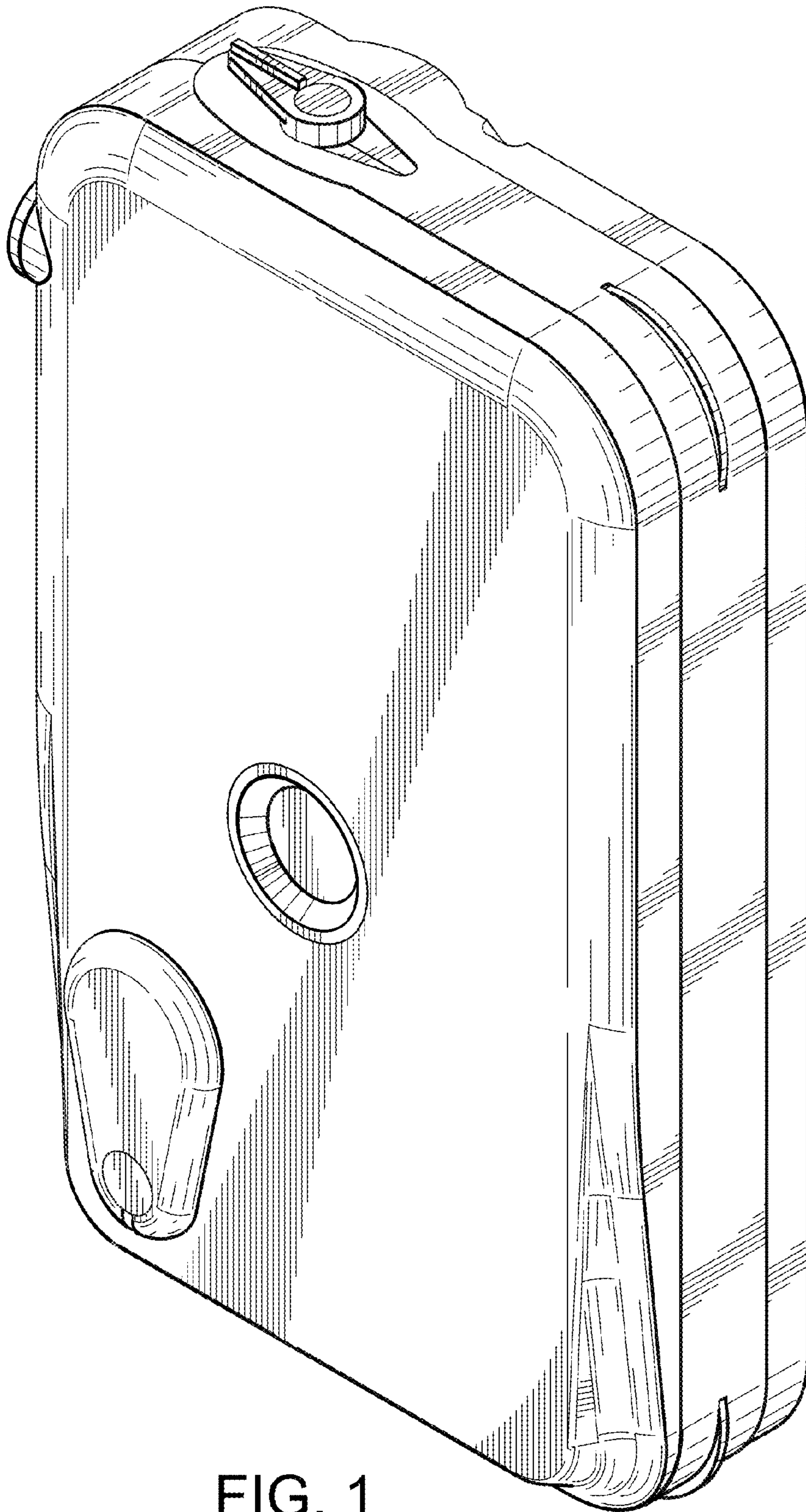


FIG. 1



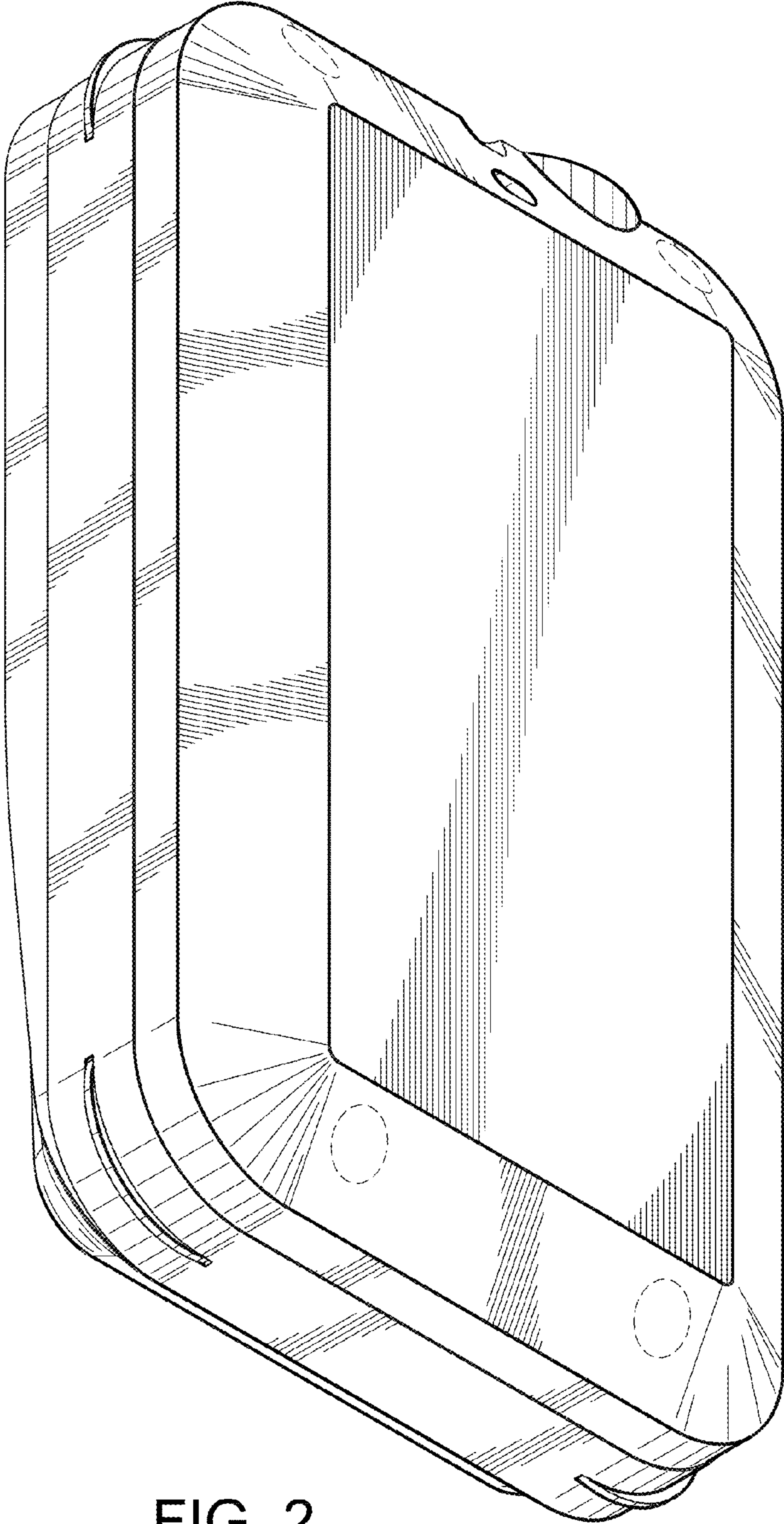


FIG. 2

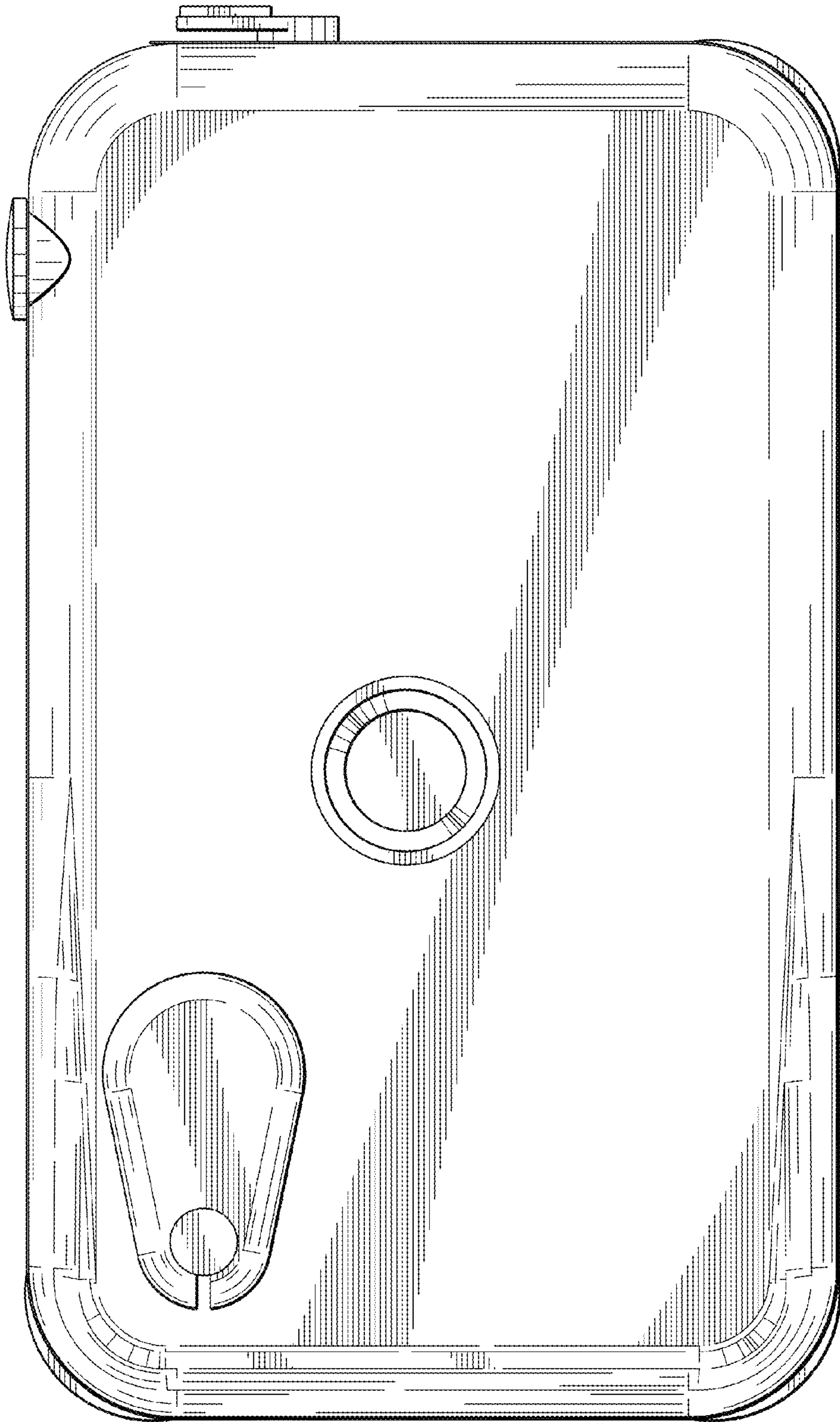


FIG. 3

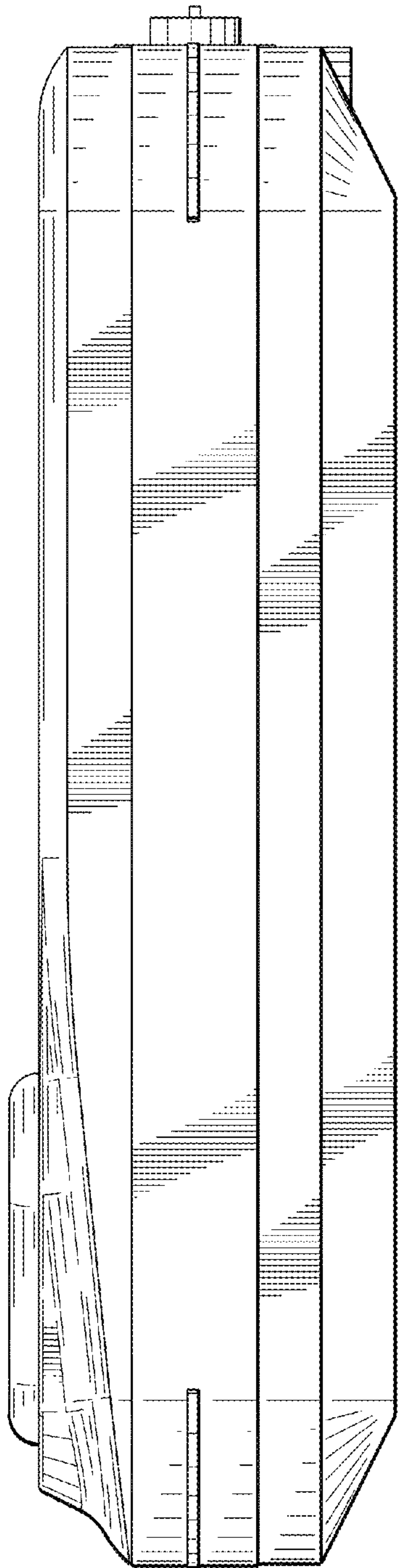


FIG. 4

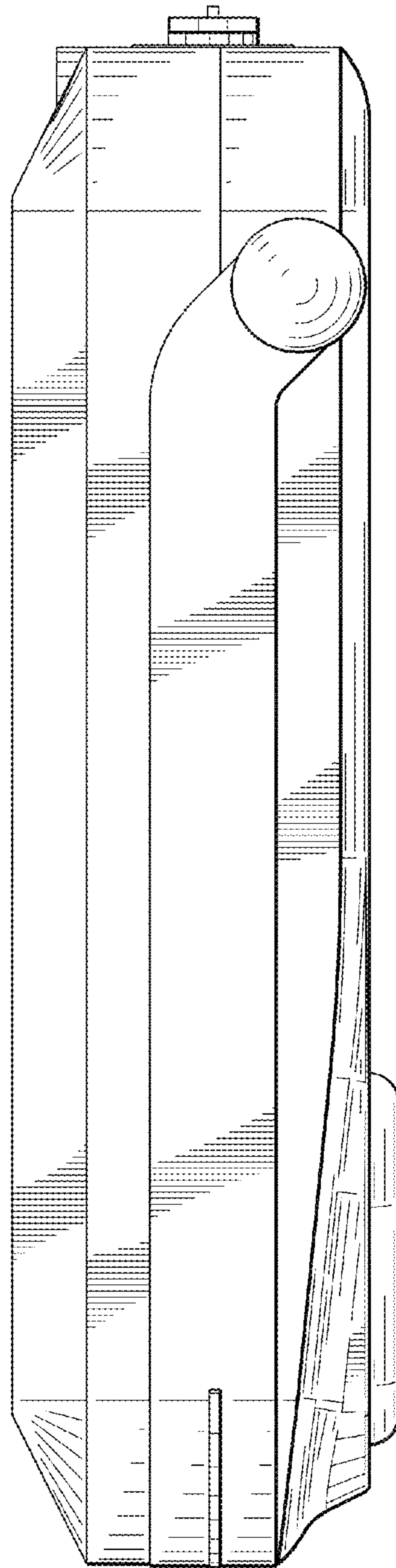


FIG. 6



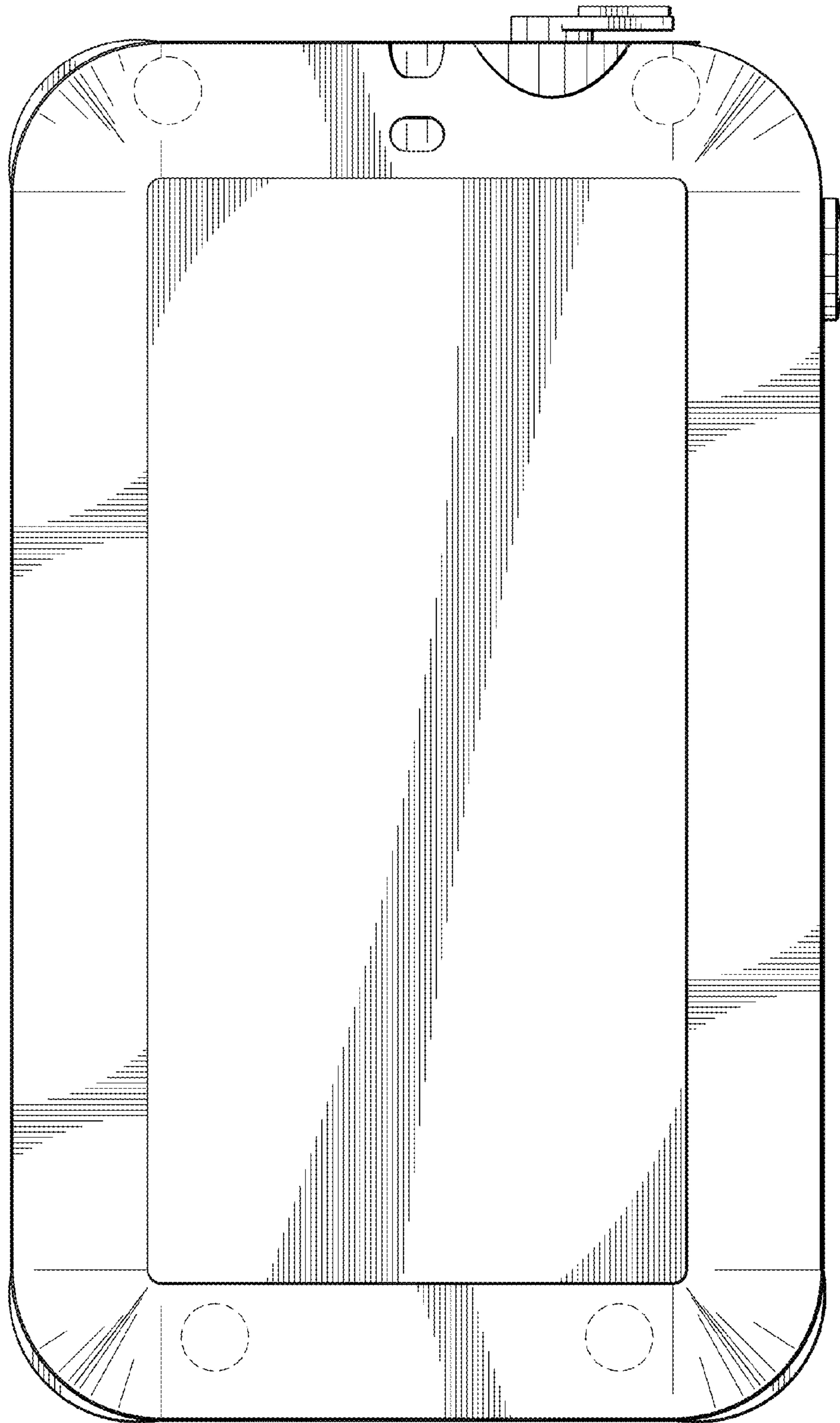


FIG. 5

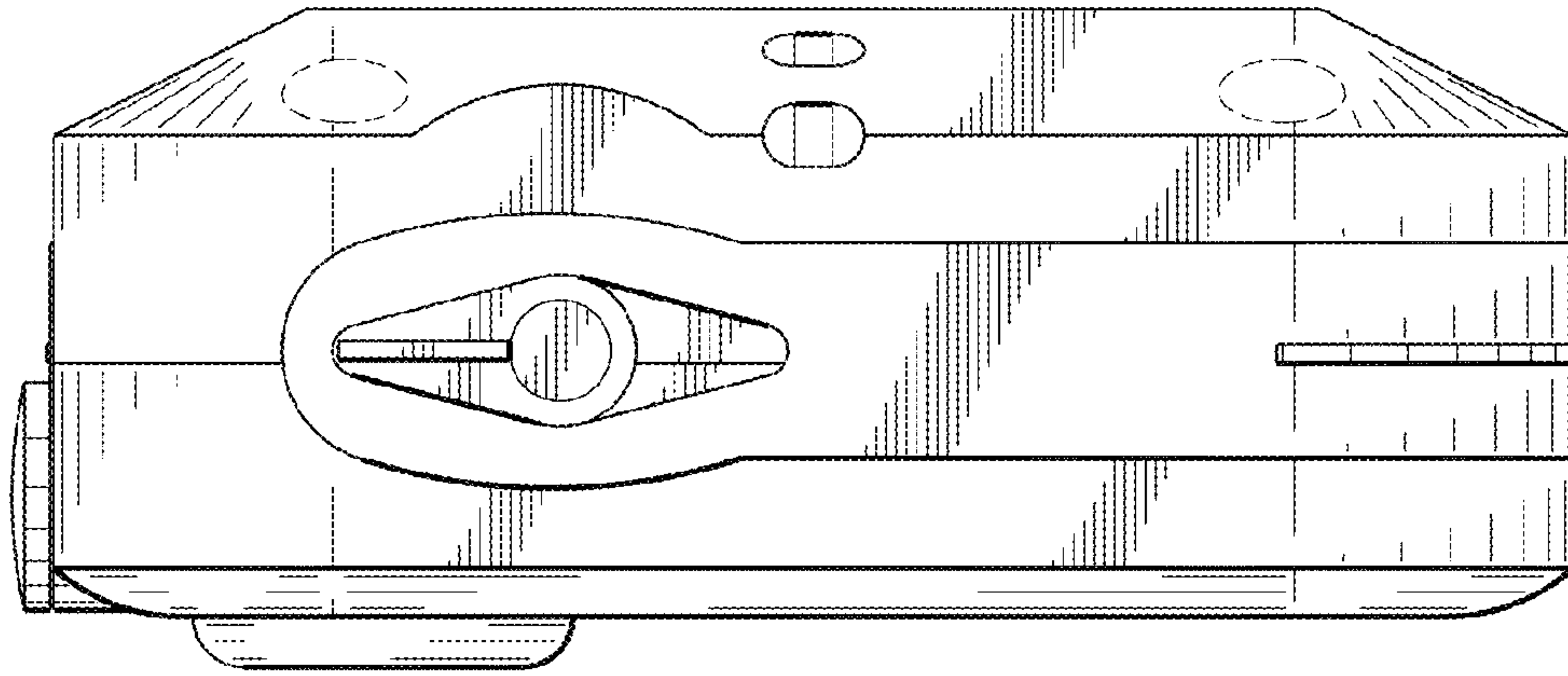


FIG. 7

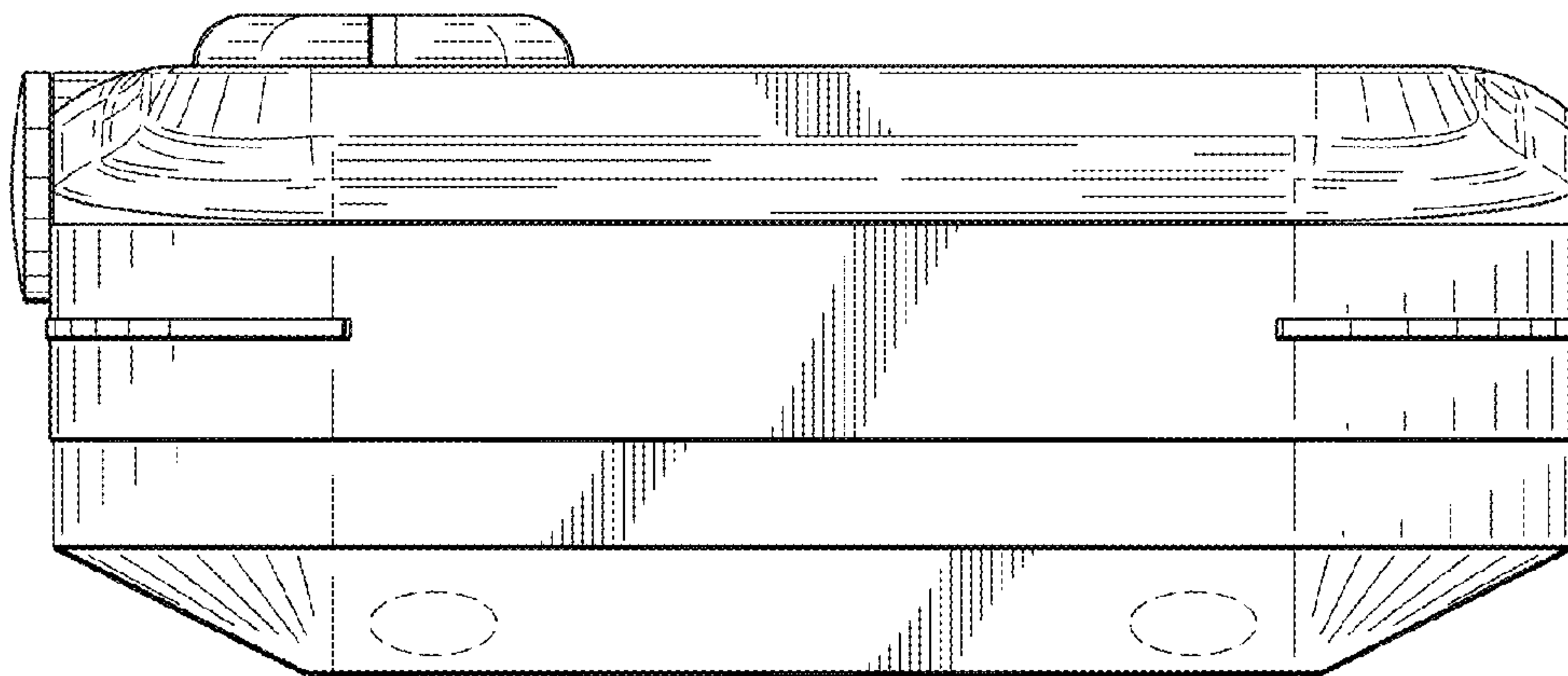


FIG. 8